

US00D738195S

(12) **United States Design Patent**
Perry et al.

(10) **Patent No.:** **US D738,195 S**
(45) **Date of Patent:** **** Sep. 8, 2015**

- (54) **CHAIR**
- (71) Applicants: **Jack Perry**, Silver Spring, MD (US);
Gregory Ewart, Kapoli, HI (US)
- (72) Inventors: **Jack Perry**, Silver Spring, MD (US);
Gregory Ewart, Kapoli, HI (US)
- (**) Term: **14 Years**
- (21) Appl. No.: **29/488,886**
- (22) Filed: **Apr. 24, 2014**

D500,668	S	*	1/2005	Kelly et al.	D8/354
7,237,367	B1	*	7/2007	Sorkin	52/687
D548,053	S	*	8/2007	Erickson et al.	D8/354
D548,055	S	*	8/2007	Erickson et al.	D8/354
D548,056	S	*	8/2007	Erickson et al.	D8/354
7,278,613	B2	*	10/2007	Roy	248/49
D578,379	S	*	10/2008	Sorkin	D8/354
D578,870	S	*	10/2008	Sorkin	D8/354
7,451,580	B2	*	11/2008	Kelly et al.	52/687
D594,737	S	*	6/2009	Kelly et al.	D8/354
D597,402	S	*	8/2009	Garza	D8/380
D618,988	S	*	7/2010	Peterson, Jr.	D8/380
7,845,136	B1	*	12/2010	Sorkin	52/687
8,028,490	B2	*	10/2011	Kelly et al.	52/687
D650,655	S	*	12/2011	Wester	D8/354
D719,817	S	*	12/2014	Perry et al.	D8/354

Related U.S. Application Data

- (62) Division of application No. 29/432,882, filed on Sep. 21, 2012, now Pat. No. Des. 719,817.
- (51) **LOC (10) Cl.** **08-05**
- (52) **U.S. Cl.**
USPC **D8/354**; D8/380
- (58) **Field of Classification Search**
USPC D8/354, 349, 380, 384; D25/199;
248/440; 52/677, 678, 679, 682, 684,
52/685, 686, 687, 745.21, 688, 689;
404/134, 135, 136
See application file for complete search history.

* cited by examiner

Primary Examiner — Mark Goodwin

(74) *Attorney, Agent, or Firm* — Garcia-Zamor IP Law; Ruy M. Garcia-Zamor

(57) **CLAIM**

We claim a new ornamental design for a chair, as shown and described.

DESCRIPTION

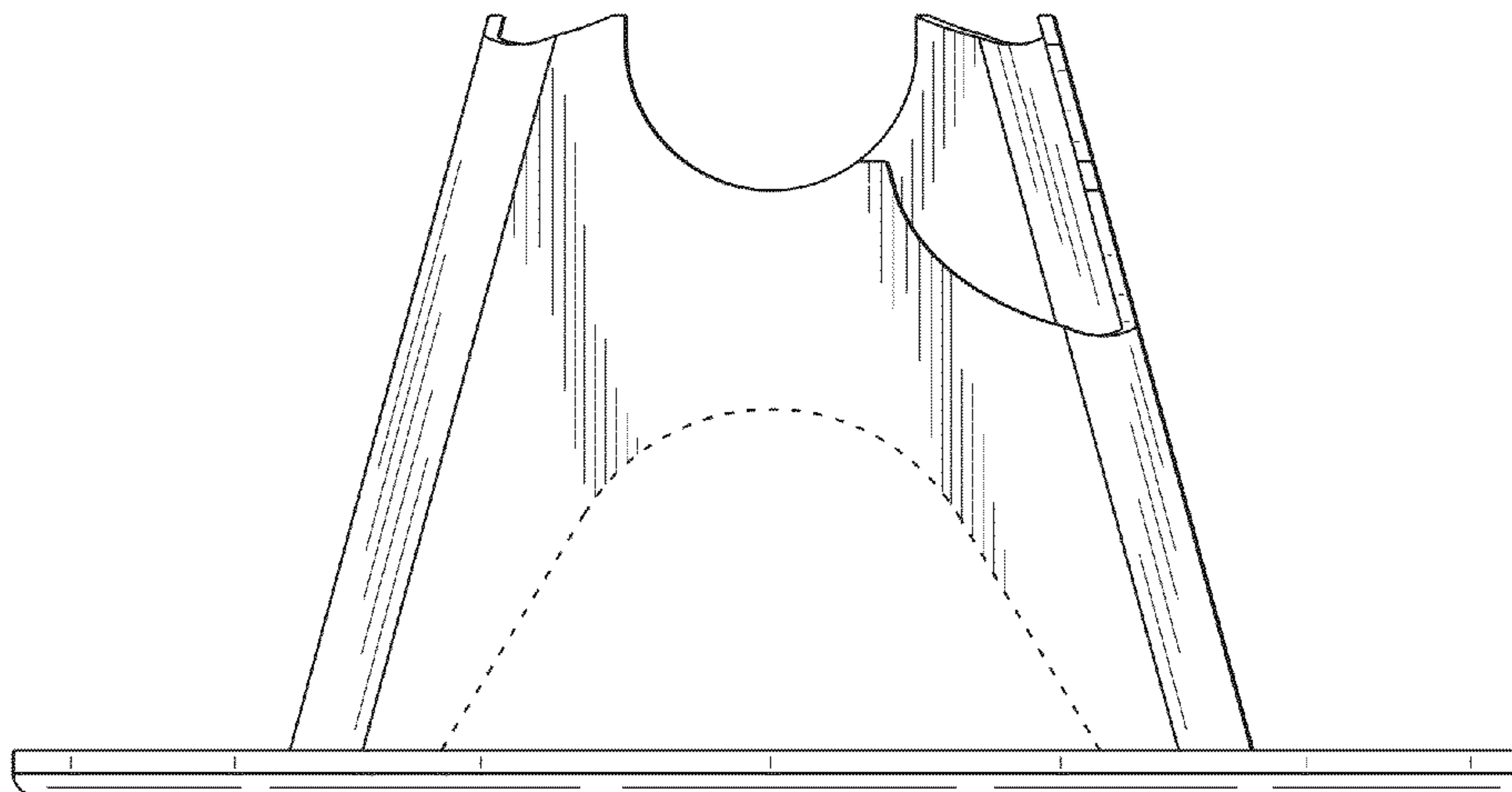
FIG. 1 is a front elevational view of a chair according to the present invention;
 FIG. 2 is a rear elevational view of the chair of FIG. 1;
 FIG. 3 is a right side elevational view of the chair of FIG. 1;
 FIG. 4 is a left side elevational view of the chair of FIG. 1;
 FIG. 5 is a top plan view of the chair of FIG. 1; and,
 FIG. 6 is a bottom plan view of the chair of FIG. 1.
 The broken lines in FIGS. 1-6 represent environment and are for illustrative purposes only and do not constitute part of the claimed design.

1 Claim, 4 Drawing Sheets

(56) **References Cited**

U.S. PATENT DOCUMENTS

5,107,654	A	*	4/1992	Leonardis	52/685
D334,133	S	*	3/1993	Hartzheim	D8/354
D388,312	S	*	12/1997	Sorkin	D8/354
5,729,949	A	*	3/1998	Hartzheim	52/677
D394,200	S	*	5/1998	Hartzheim	D8/354
6,089,522	A	*	7/2000	Haslem et al.	248/440
D491,443	S	*	6/2004	Lowery	D8/354



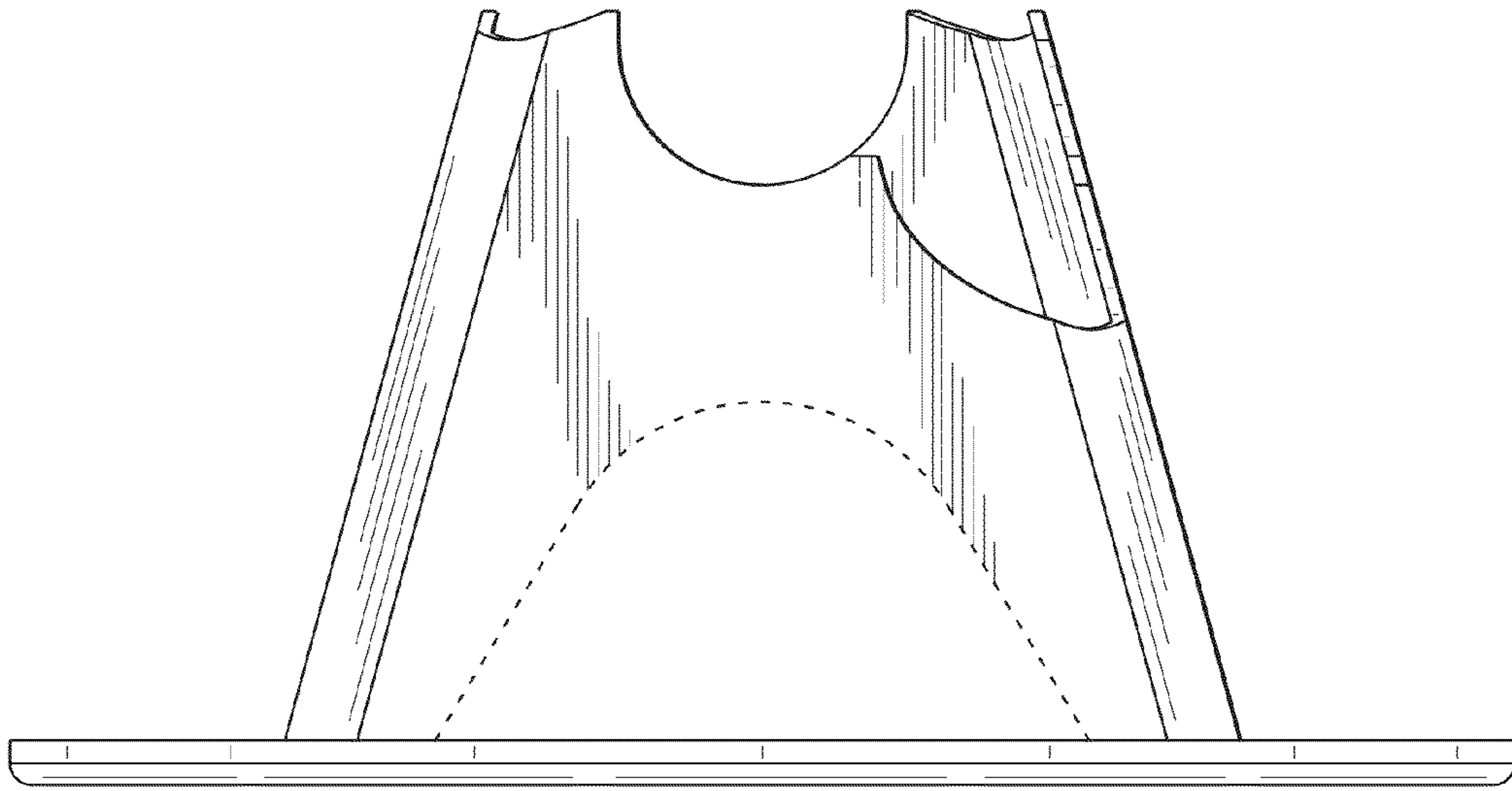


FIG. 1

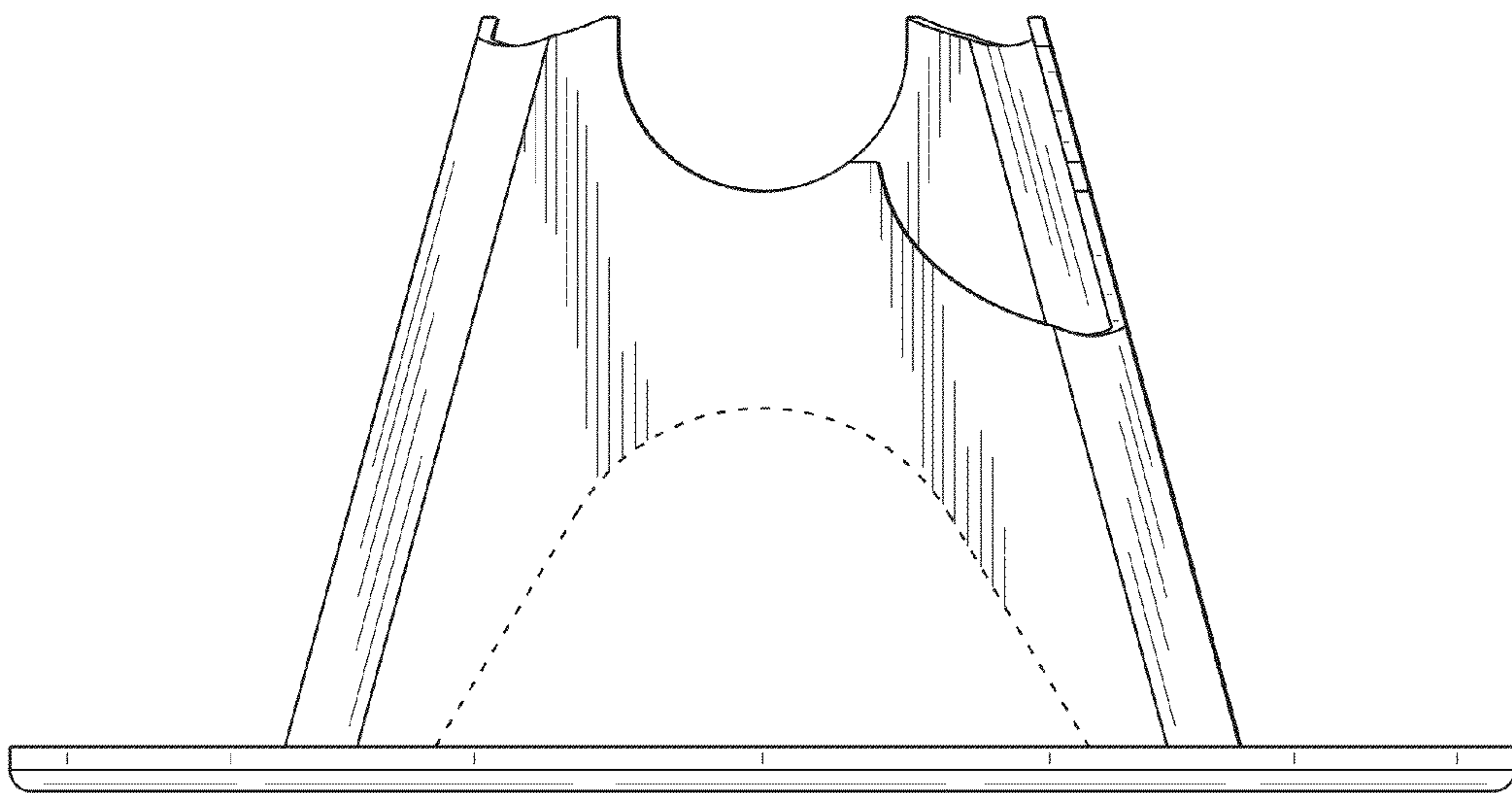


FIG. 2

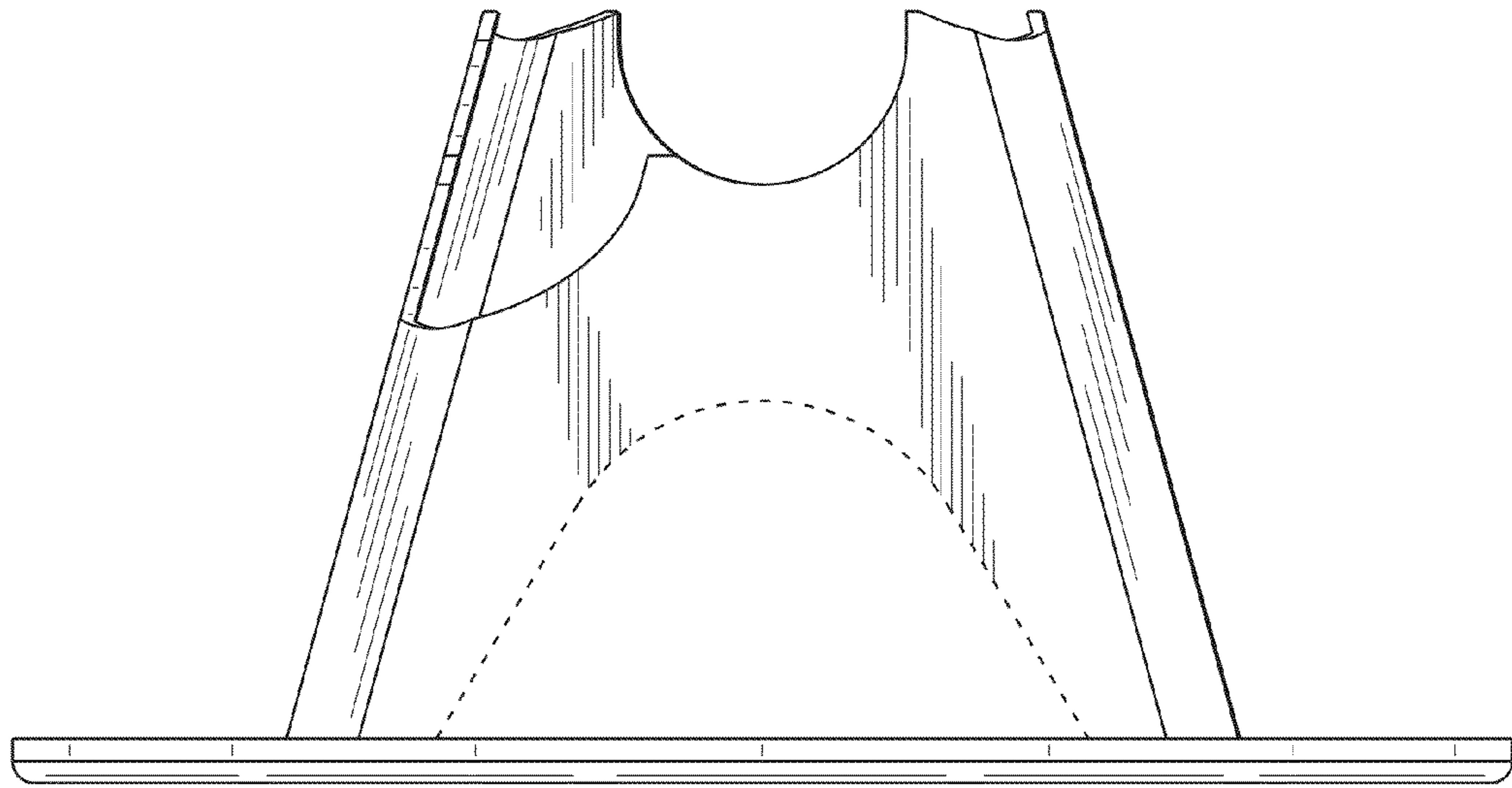


FIG. 3

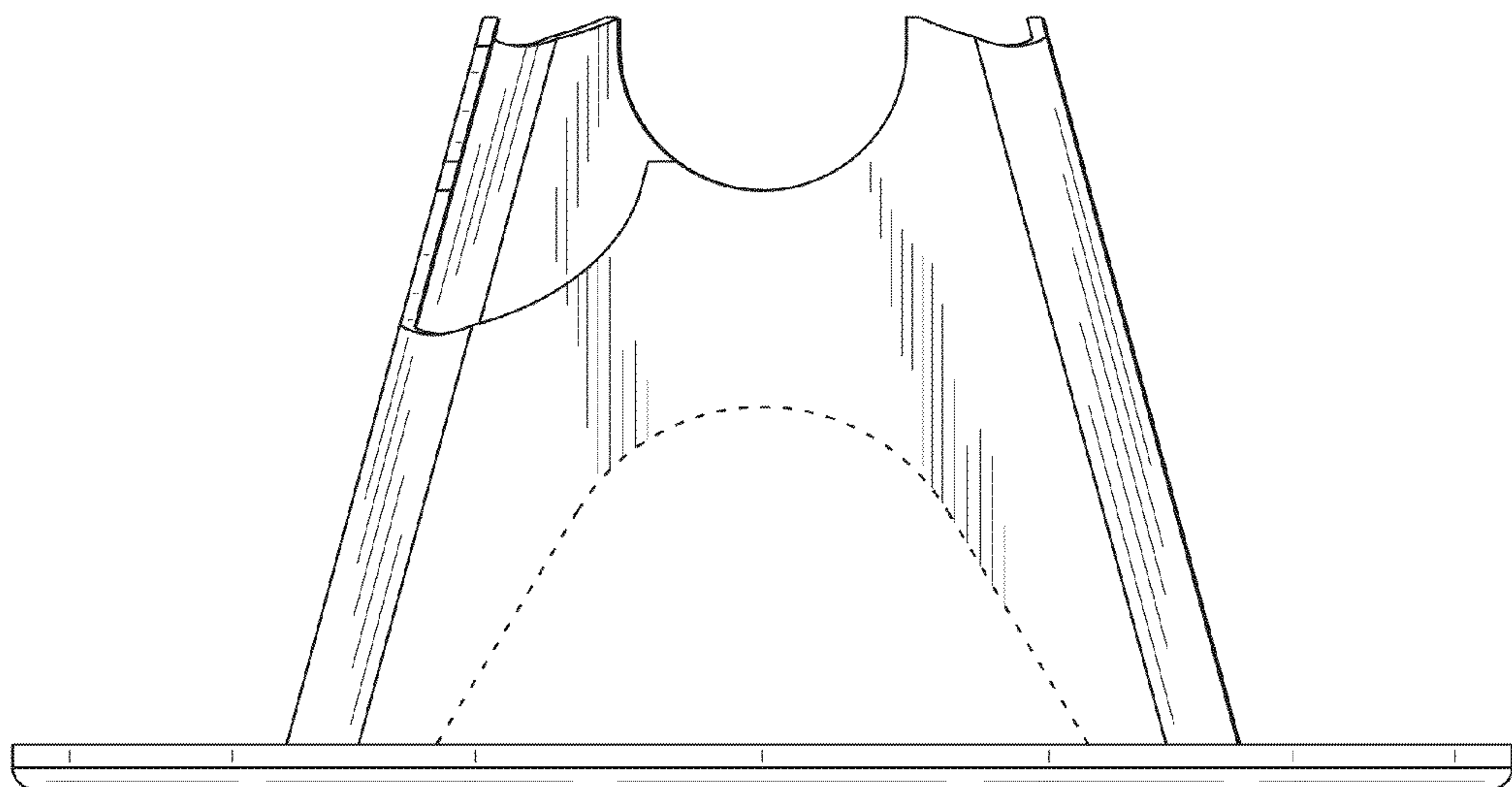


FIG. 4

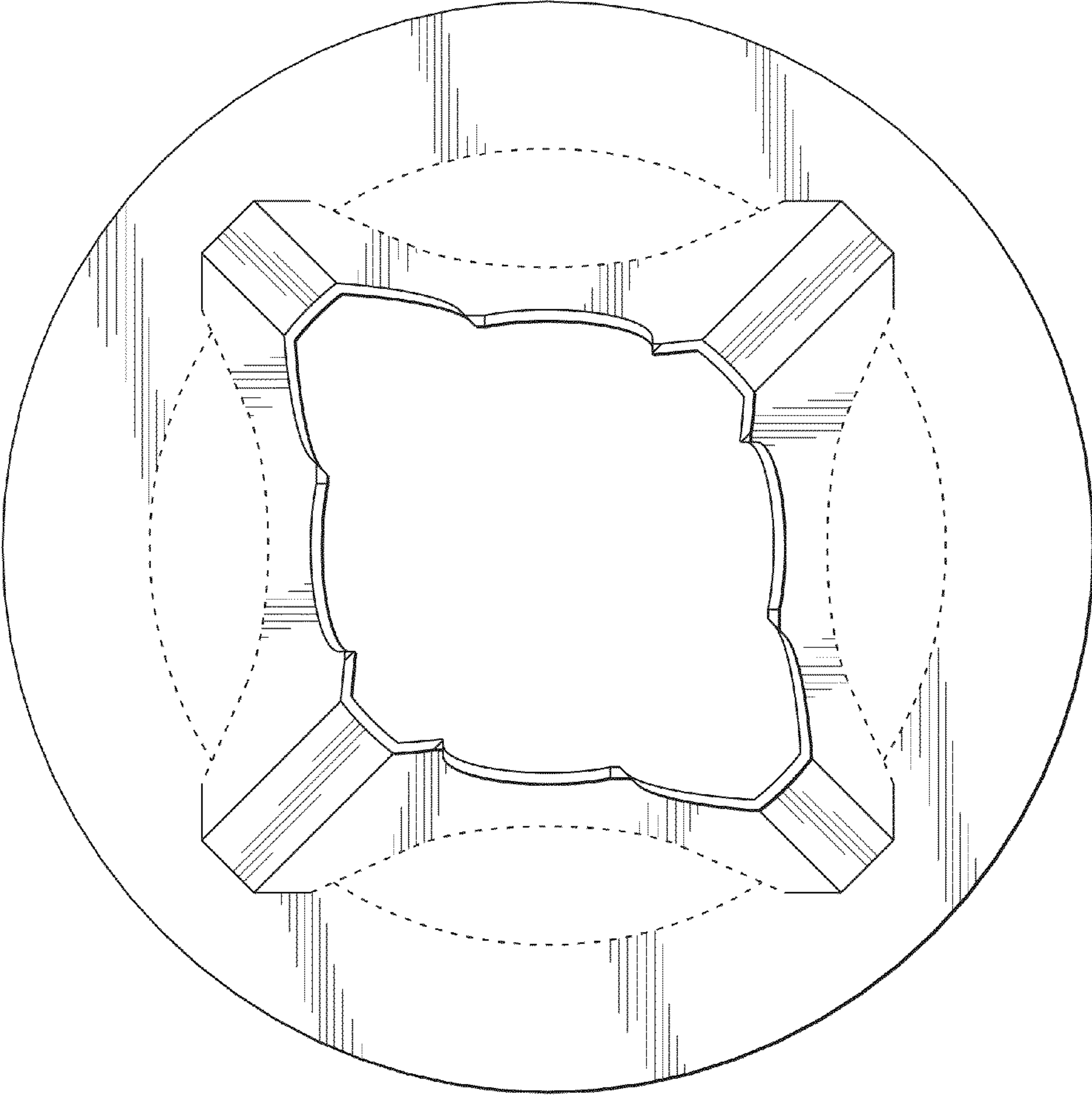


FIG. 5

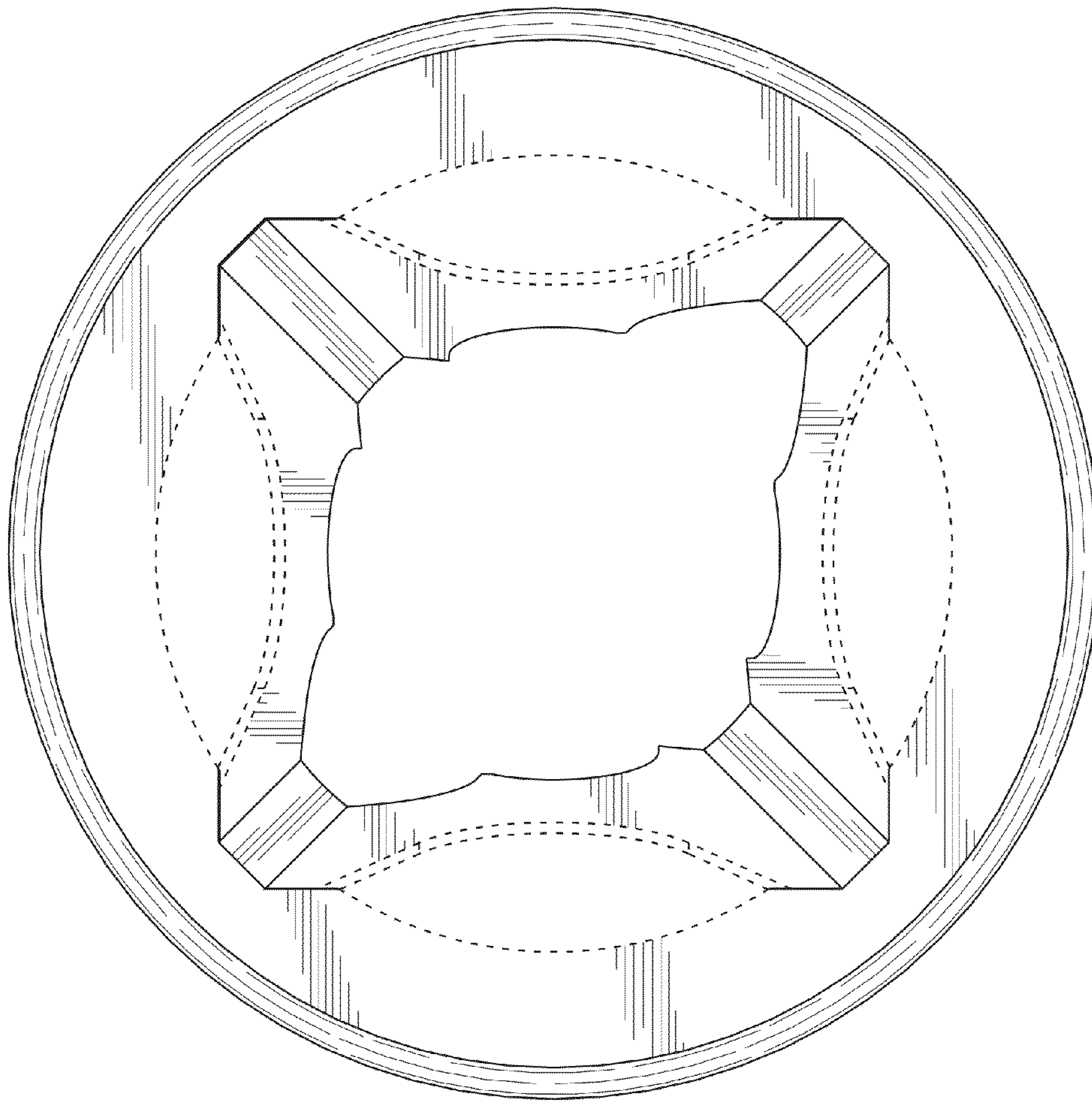


FIG. 6