



US00D738193S

(12) **United States Design Patent**
Master et al.

(10) **Patent No.:** **US D738,193 S**

(45) **Date of Patent:** **** Sep. 8, 2015**

(54) **ACCESSORY MOUNT**

(71) Applicant: **EMORY UNIVERSITY**, Atlanta, GA (US)

(72) Inventors: **Viraj Master**, Decatur, GA (US);
Benjamin Geddes, Atlanta, GA (US)

(73) Assignee: **Emory University**, Atlanta, GA (US)

(**) Term: **14 Years**

(21) Appl. No.: **29/455,006**

(22) Filed: **May 16, 2013**

(51) **LOC (10) Cl.** **08-05**

(52) **U.S. Cl.**
USPC **D8/354**

(58) **Field of Classification Search**
USPC D8/354
CPC A47F 5/00; A47H 1/10; A47G 29/00;
A47G 29/08; A47B 97/00; B60R 2011/0005;
B60K 2350/941; B60K 37/04
See application file for complete search history.

(56) **References Cited**

U.S. PATENT DOCUMENTS

D548,571 S *	8/2007	Bigelow et al.	D8/349
D622,131 S *	8/2010	Tezak et al.	D8/349
D702,532 S *	4/2014	Garrido et al.	D8/354

* cited by examiner

Primary Examiner — Holly Baynham

(74) *Attorney, Agent, or Firm* — Emory Patent Group

(57) **CLAIM**

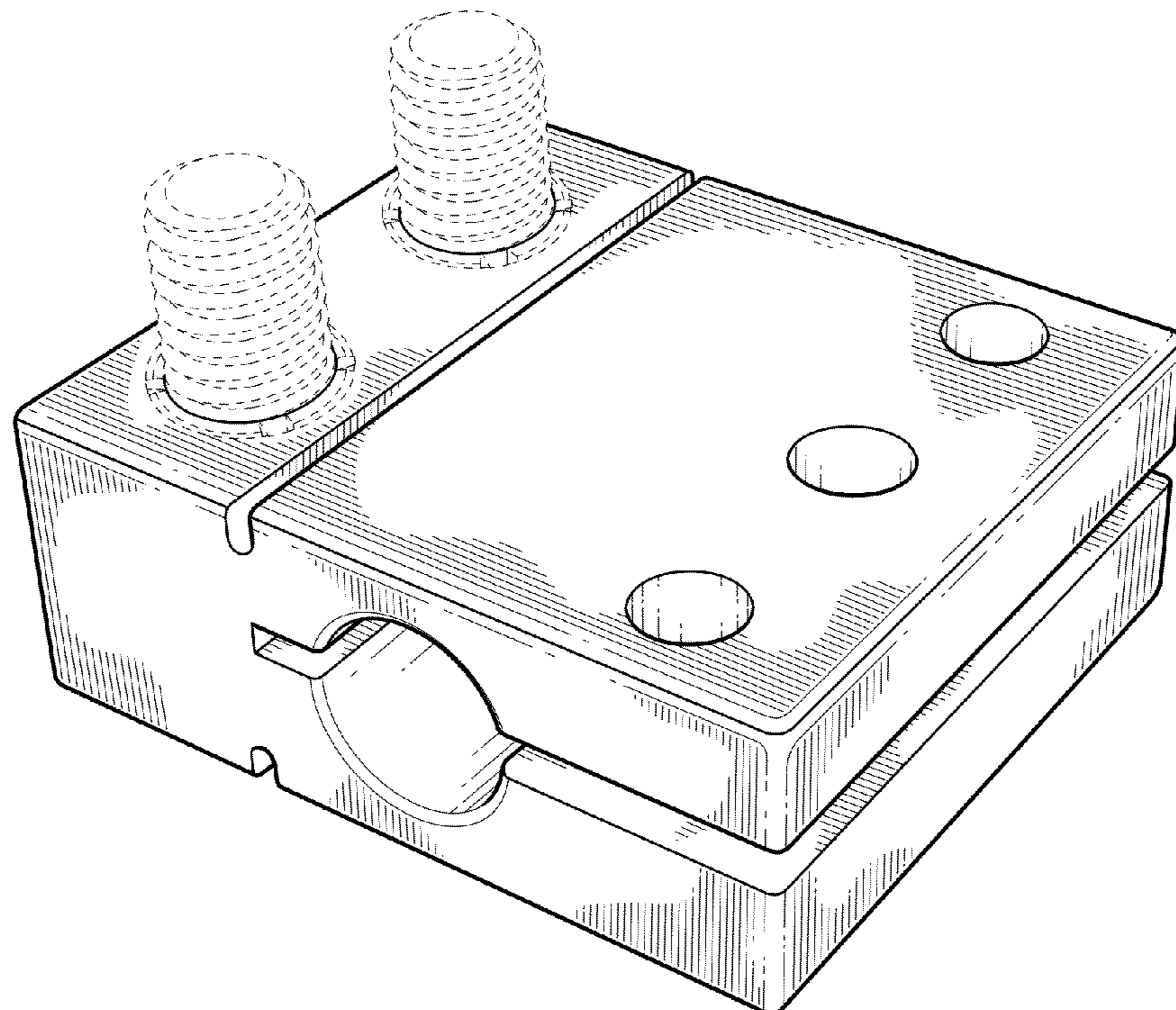
The ornamental design for an accessory mount, as shown and described.

DESCRIPTION

FIG. 1 is a perspective view of an accessory mount, showing our new design;
FIG. 2 is a top view thereof;
FIG. 3 is a bottom view thereof;
FIG. 4 is a front view thereof;
FIG. 5 is a rear view thereof;
FIG. 6 is a right side view thereof;
FIG. 7 is a left side view thereof;
FIG. 8 is another environmental perspective view of the accessory mount with knob fasteners; and,
FIG. 9 is another environmental perspective view of the accessory mount with a handle fastener.

The broken lines are for environmental purposes only and form no part of the claimed design. The shading illustrated in the figures is provided merely to represent the contour of the design and is not intended to be illustrative of the texture, gloss, or surface decoration.

1 Claim, 6 Drawing Sheets



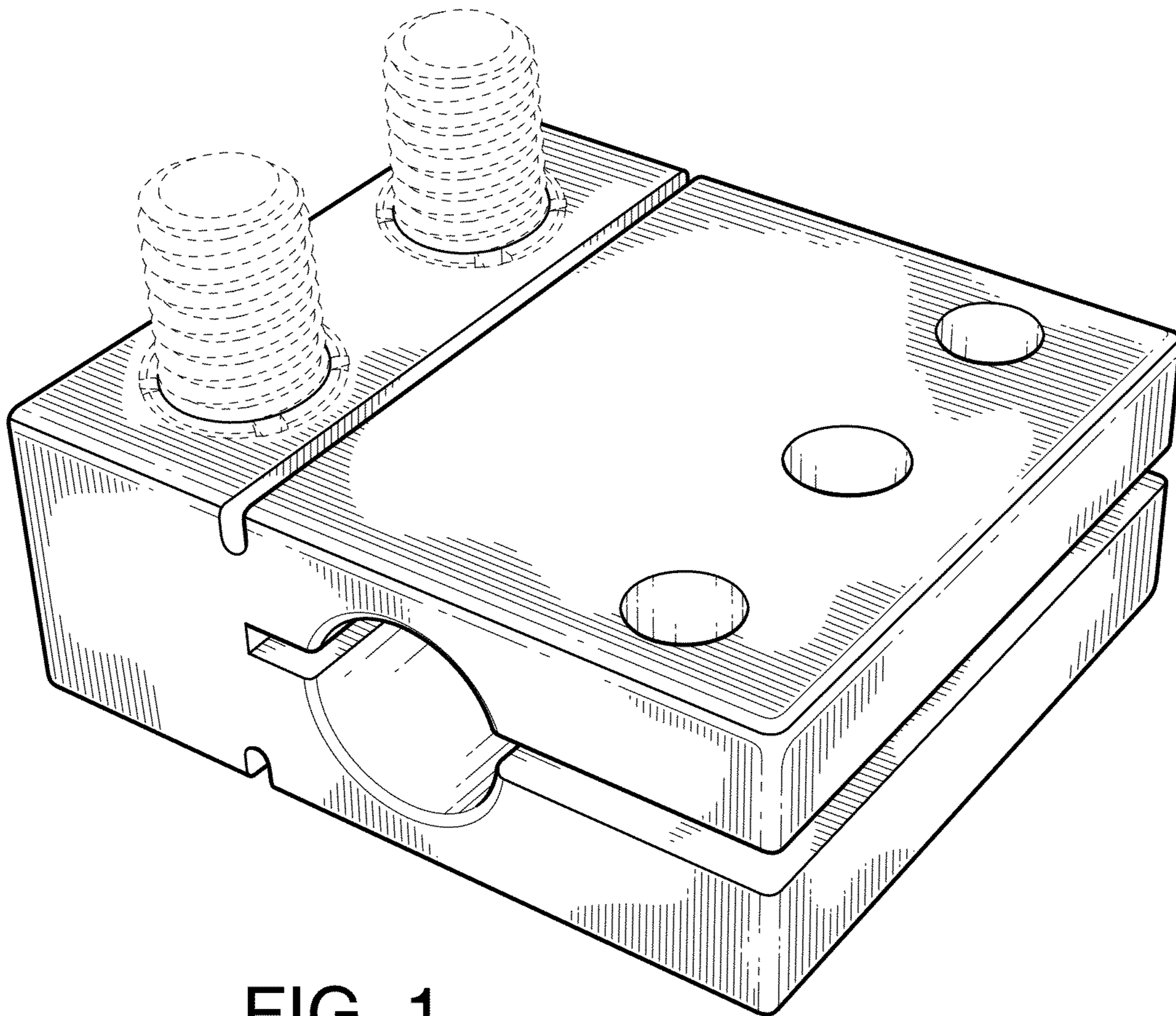


FIG. 1

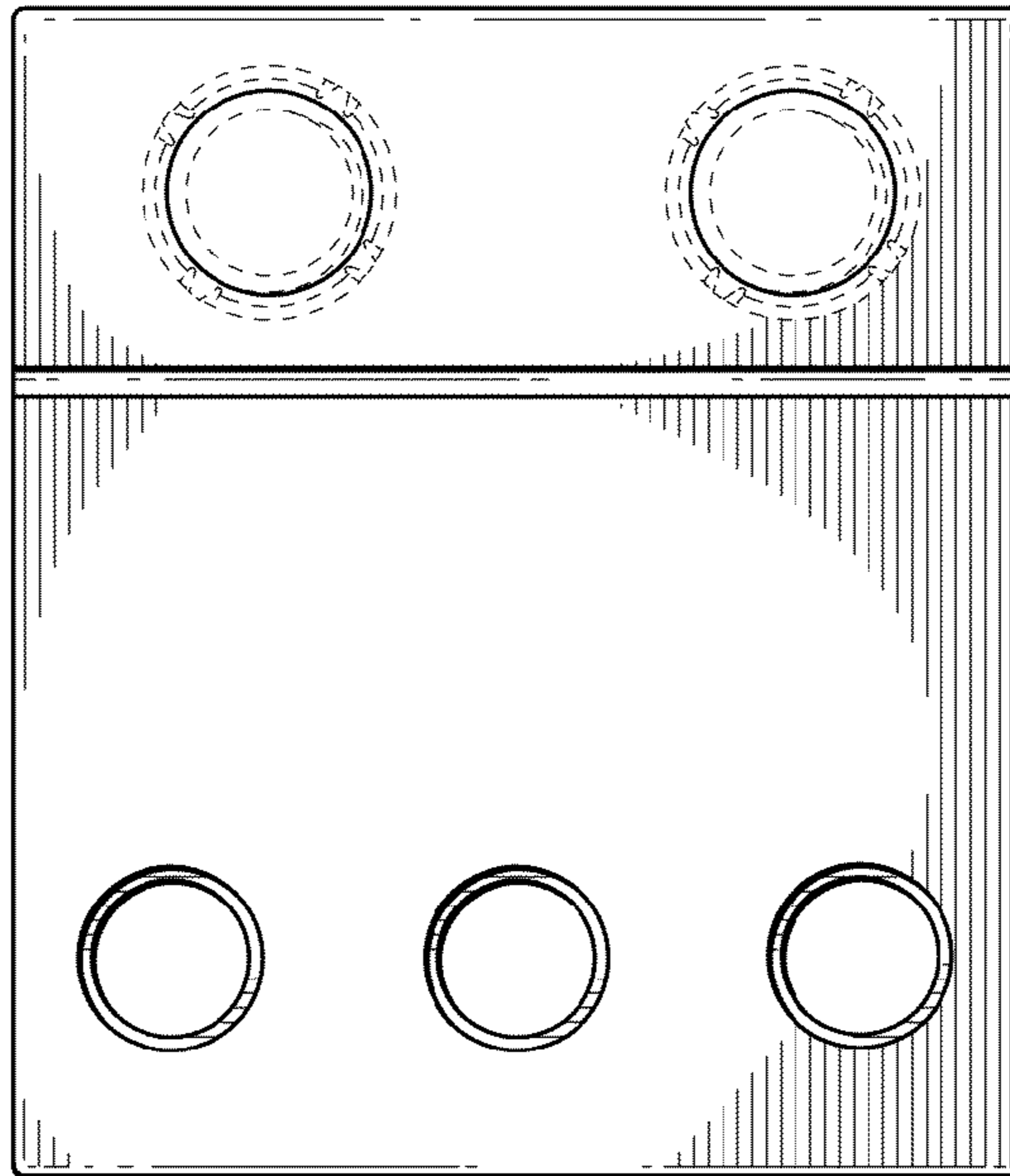


FIG. 2

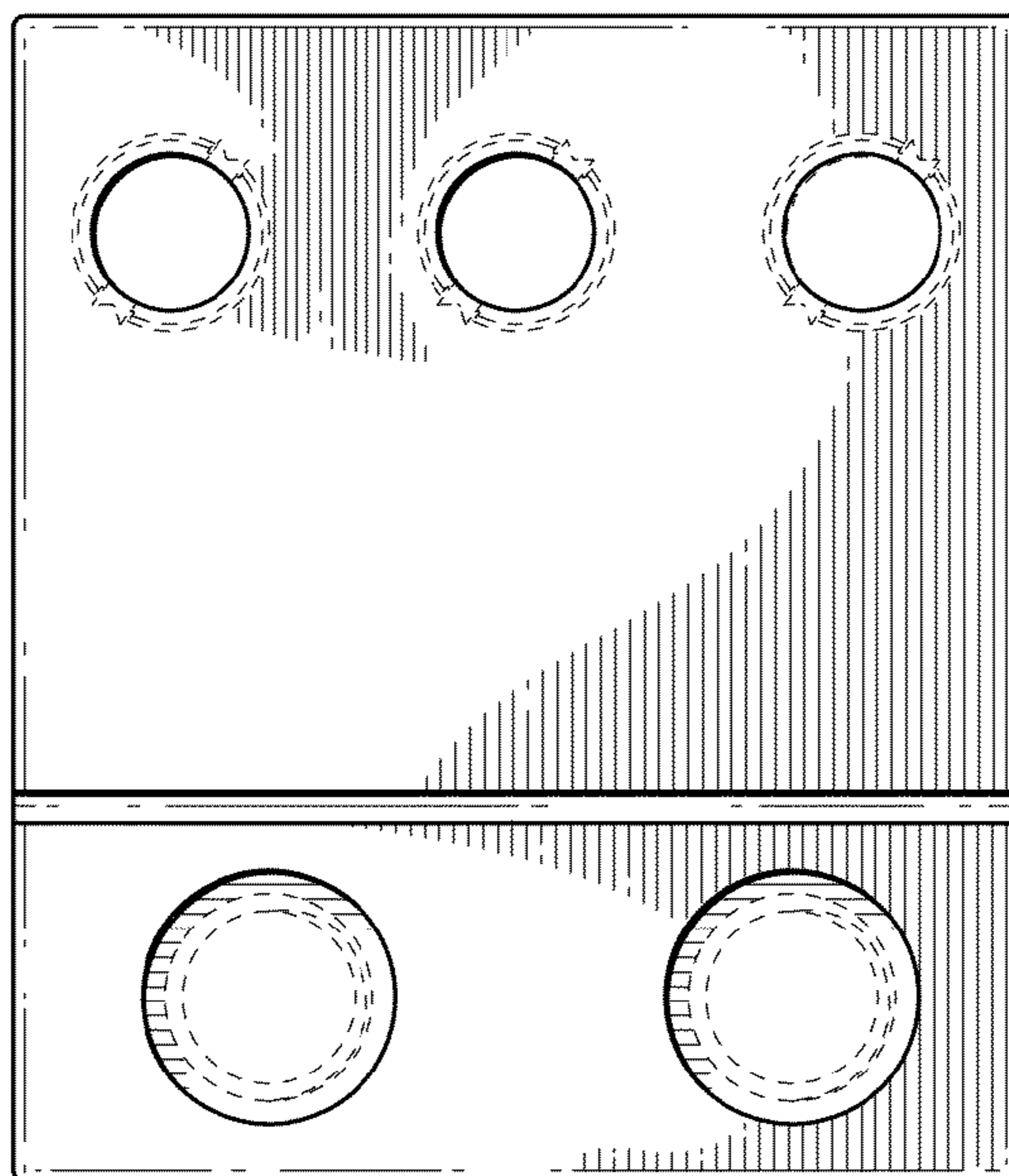


FIG. 3

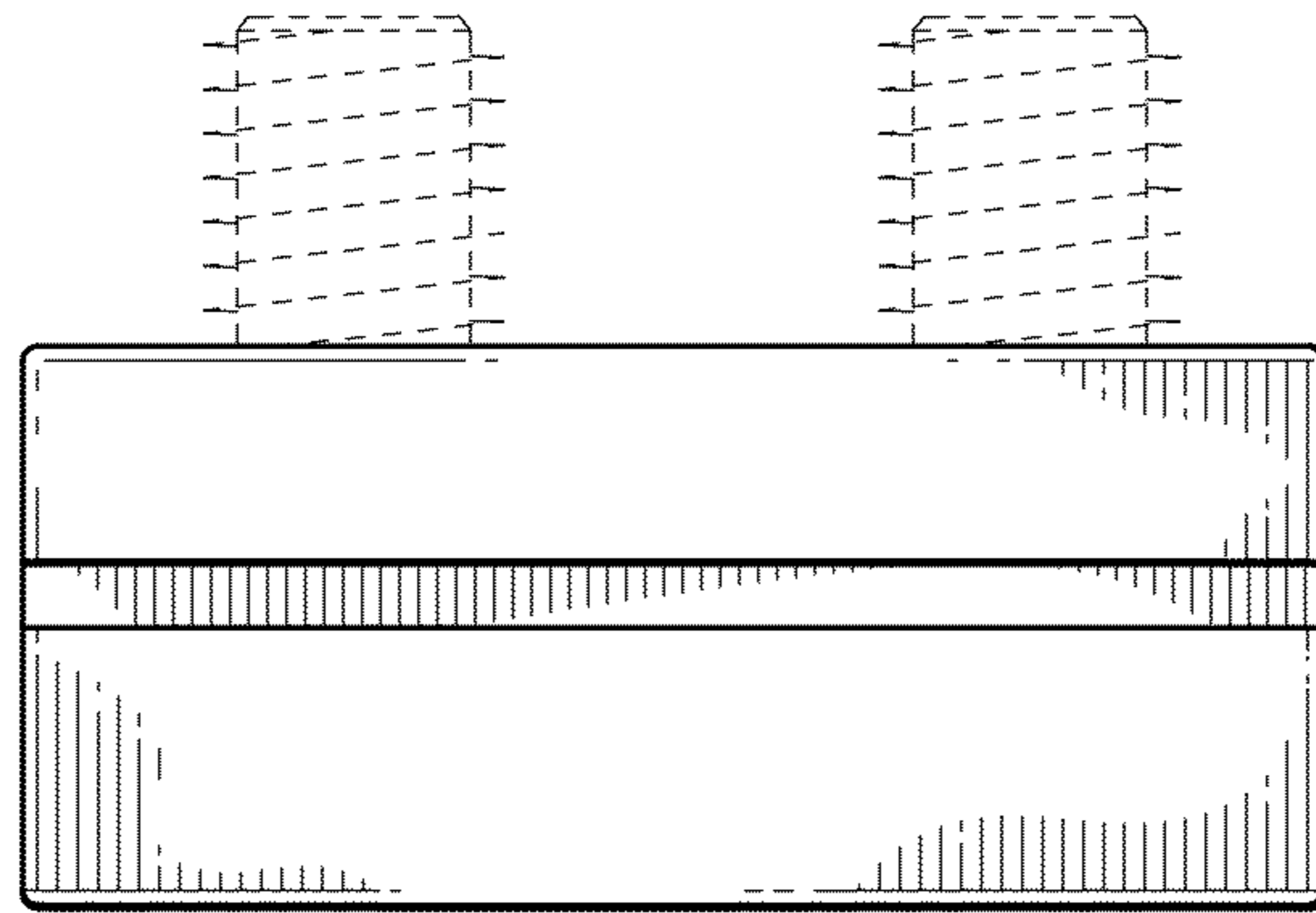


FIG. 4

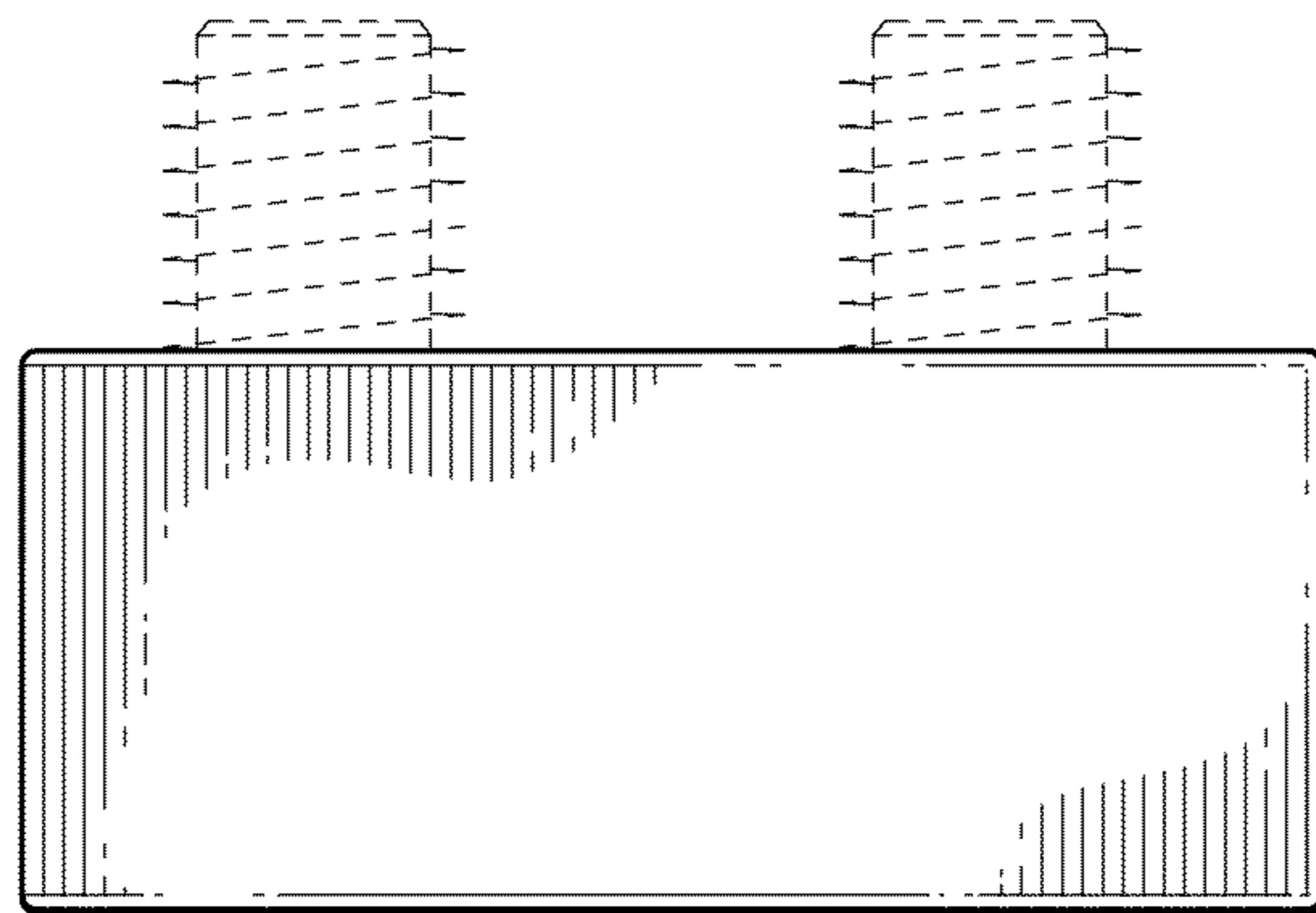


FIG. 5

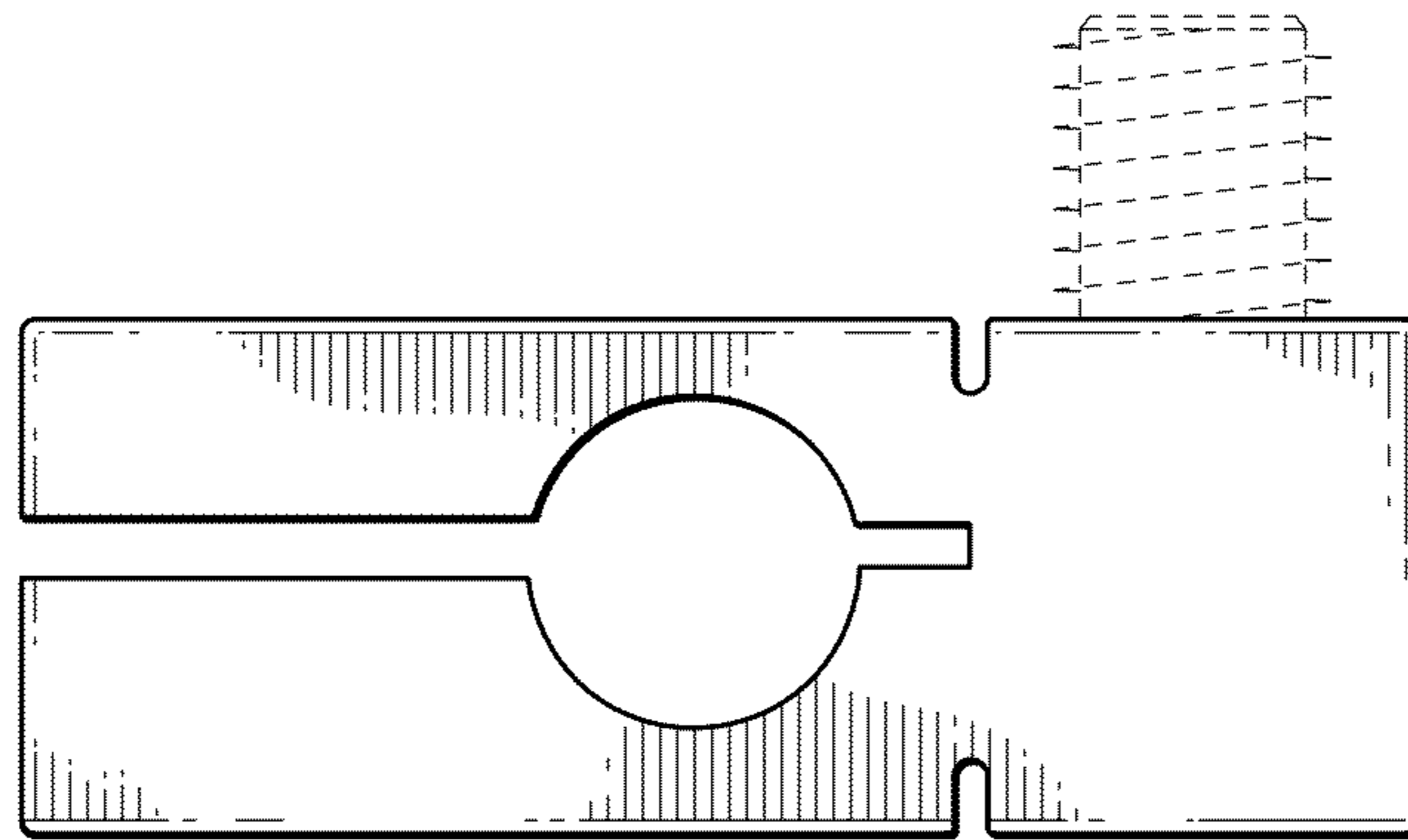


FIG. 6

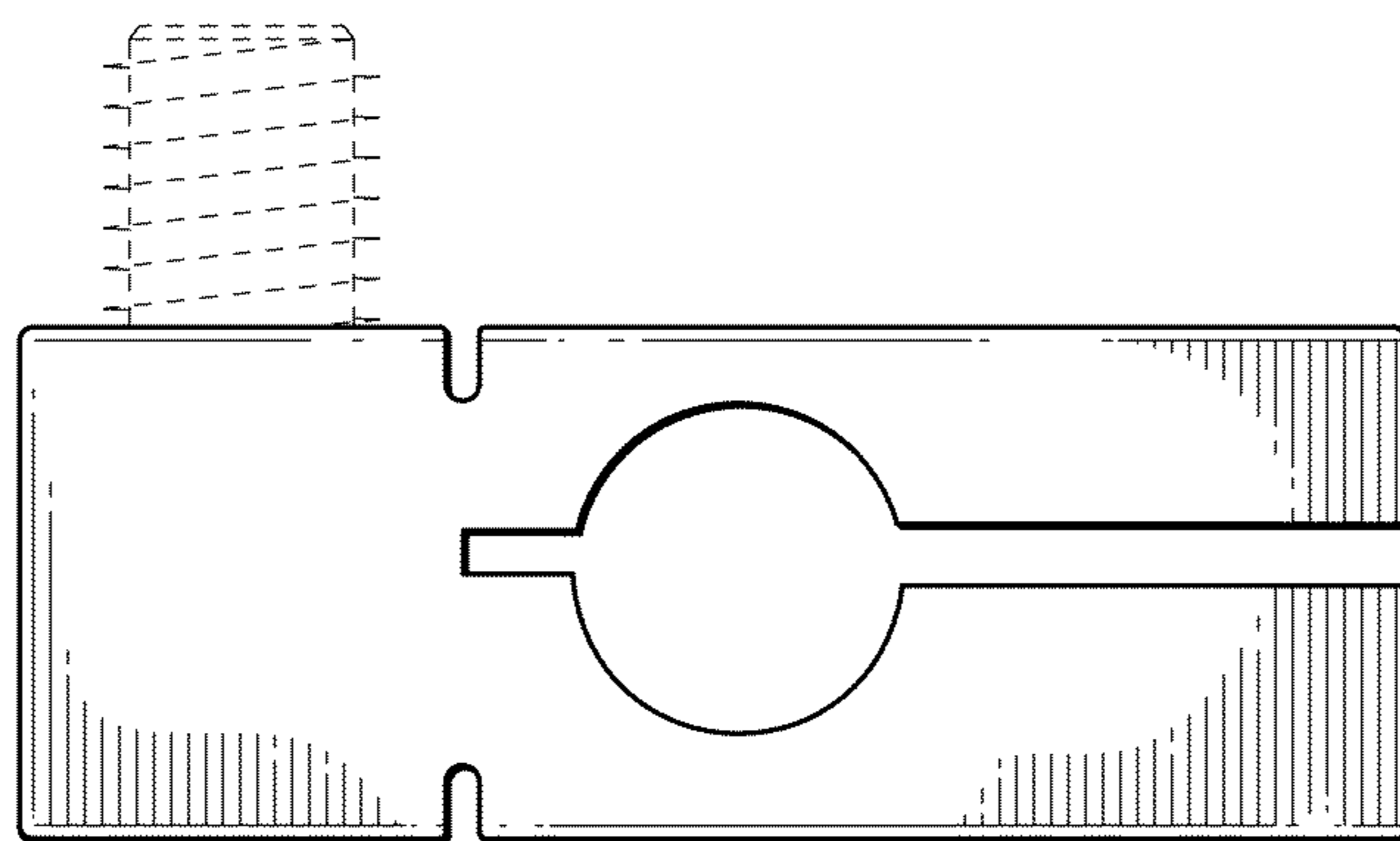


FIG. 7

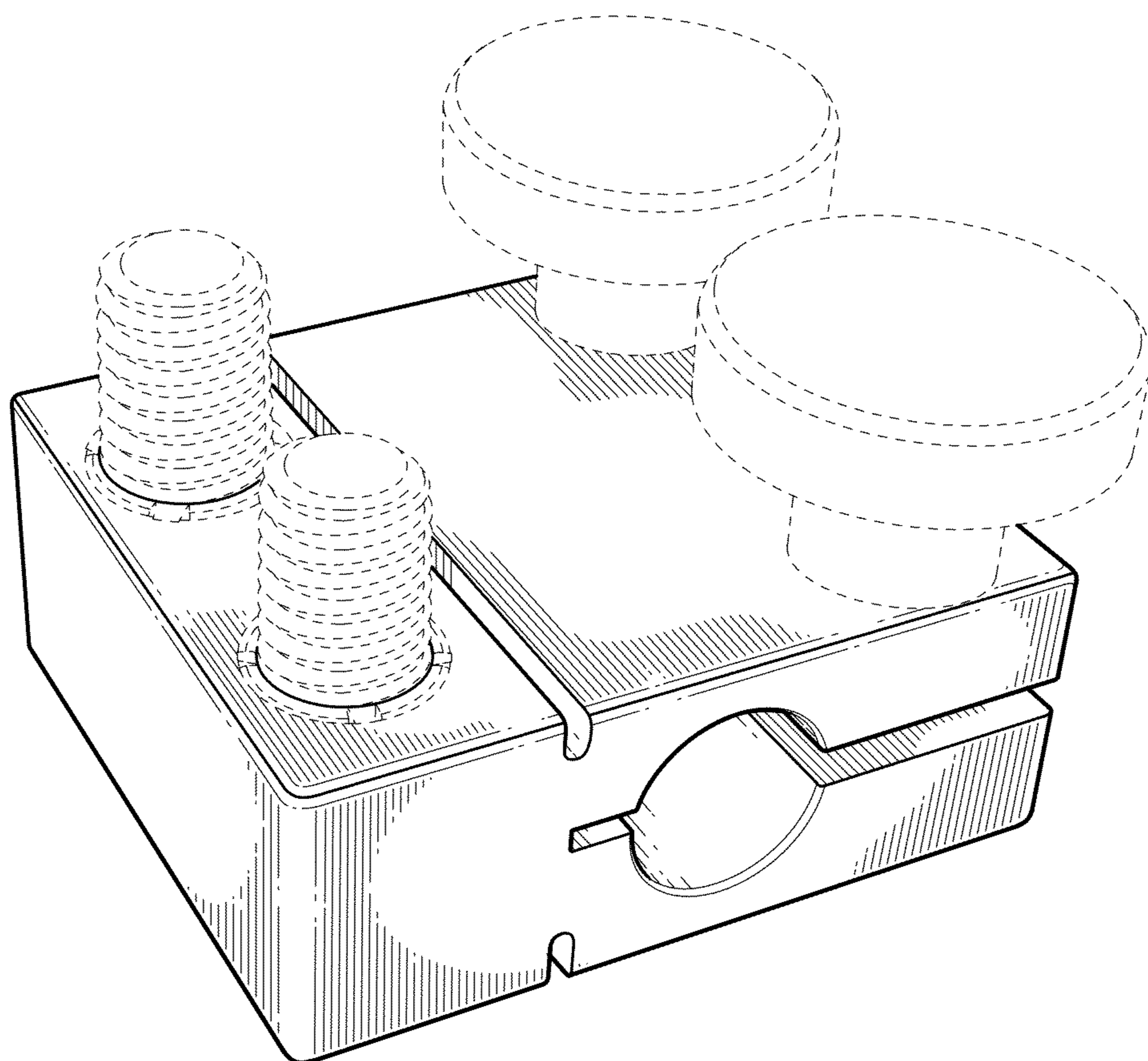


FIG. 8

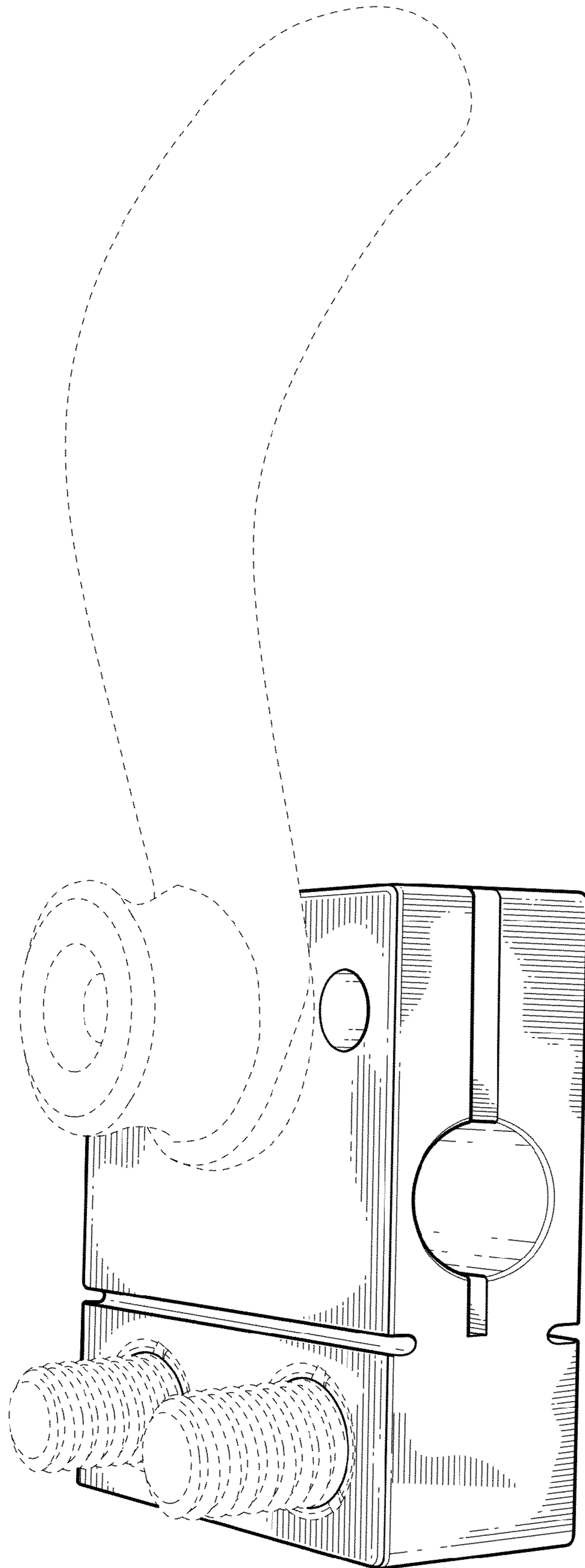


FIG. 9