



US00D738191S

(12) **United States Design Patent**
Nas et al.

(10) **Patent No.:** **US D738,191 S**
(45) **Date of Patent:** **** Sep. 8, 2015**

(54) **BRACKET**

(71) Applicant: **Lelox (Australia) Pty Ltd**, South Windsor, New South Wales (AU)

(72) Inventors: **Casey Nas**, Toowoomb Bay (AU); **Peter Romey**, Northmead (AU)

(73) Assignee: **Lelox (Australia) Pty Ltd**, South Windsor, New South Wales (AU)

(**) Term: **14 Years**

(21) Appl. No.: **29/481,122**

(22) Filed: **Jan. 31, 2014**

(30) **Foreign Application Priority Data**

Aug. 2, 2013 (AU) 201313709

Aug. 2, 2013 (AU) 201313710

(51) **LOC (10) Cl.** **08-05**

(52) **U.S. Cl.**

USPC **D8/349**; D8/380

(58) **Field of Classification Search**

USPC D8/349, 354, 380; 248/65

CPC F16M 13/02; F16M 13/00; A47F 5/00;

A47H 1/10; E04G 5/06; A47G 29/00; A47G

29/08; A47B 97/00

See application file for complete search history.

(56) **References Cited**

U.S. PATENT DOCUMENTS

6,340,142 B1 * 1/2002 Li 248/74.1
7,722,001 B2 * 5/2010 Trotter et al. 248/65
7,770,848 B2 * 8/2010 Johnson et al. 248/65

* cited by examiner

Primary Examiner — Holly Baynham

(74) *Attorney, Agent, or Firm* — Reising Ethington P.C.

(57) **CLAIM**

The ornamental design for a bracket, as shown and described.

DESCRIPTION

FIG. 1 is a front perspective view of a first embodiment of our design showing a mounting bracket for vehicular use;

FIG. 2 is a top view of the bracket of FIG. 1;

FIG. 3 is a front view of the bracket of FIG. 1, the rear view of the bracket being identical to the front view shown in FIG. 3;

FIG. 4 is a left side view of the bracket of FIG. 1, the right side view of the bracket being identical to the left side view shown in FIG. 4;

FIG. 5 is a bottom view of the bracket of FIG. 1;

FIG. 6 is a bottom perspective view of the bracket of FIG. 1;

FIG. 7 is a front perspective view of a second embodiment of our design showing a mounting bracket for vehicular use;

FIG. 8 is a rear perspective view of the bracket of FIG. 7;

FIG. 9 is a front view of the bracket of FIG. 7;

FIG. 10 is a top view of the bracket of FIG. 7;

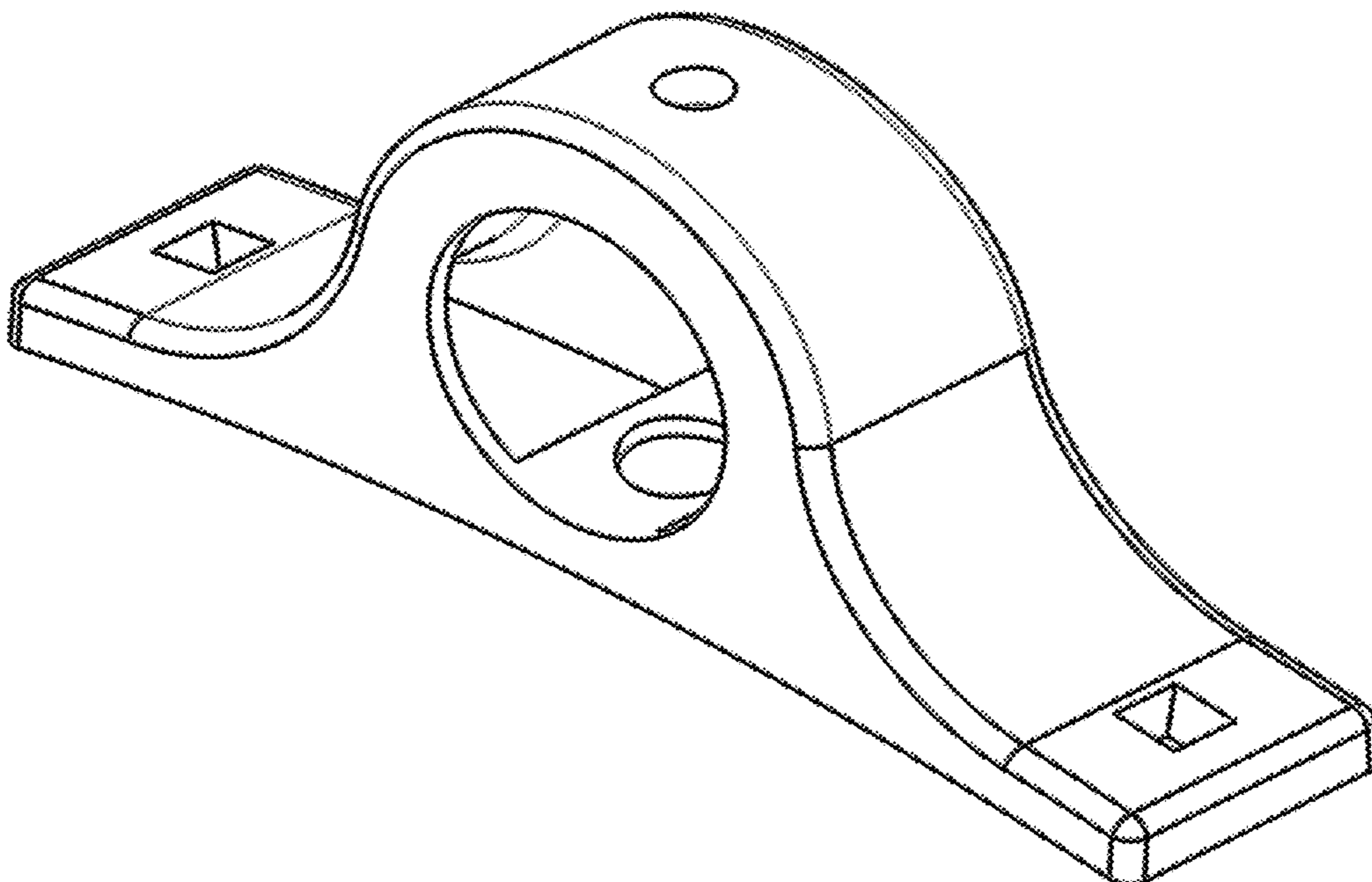
FIG. 11 is a rear view of the bracket of FIG. 7;

FIG. 12 is a bottom view of the bracket of FIG. 7;

FIG. 13 is a left side view of the bracket of FIG. 7, the right side view of the bracket being identical to the left side view shown in FIG. 13; and,

FIG. 14 is a bottom perspective view of the bracket of FIG. 7.

1 Claim, 7 Drawing Sheets



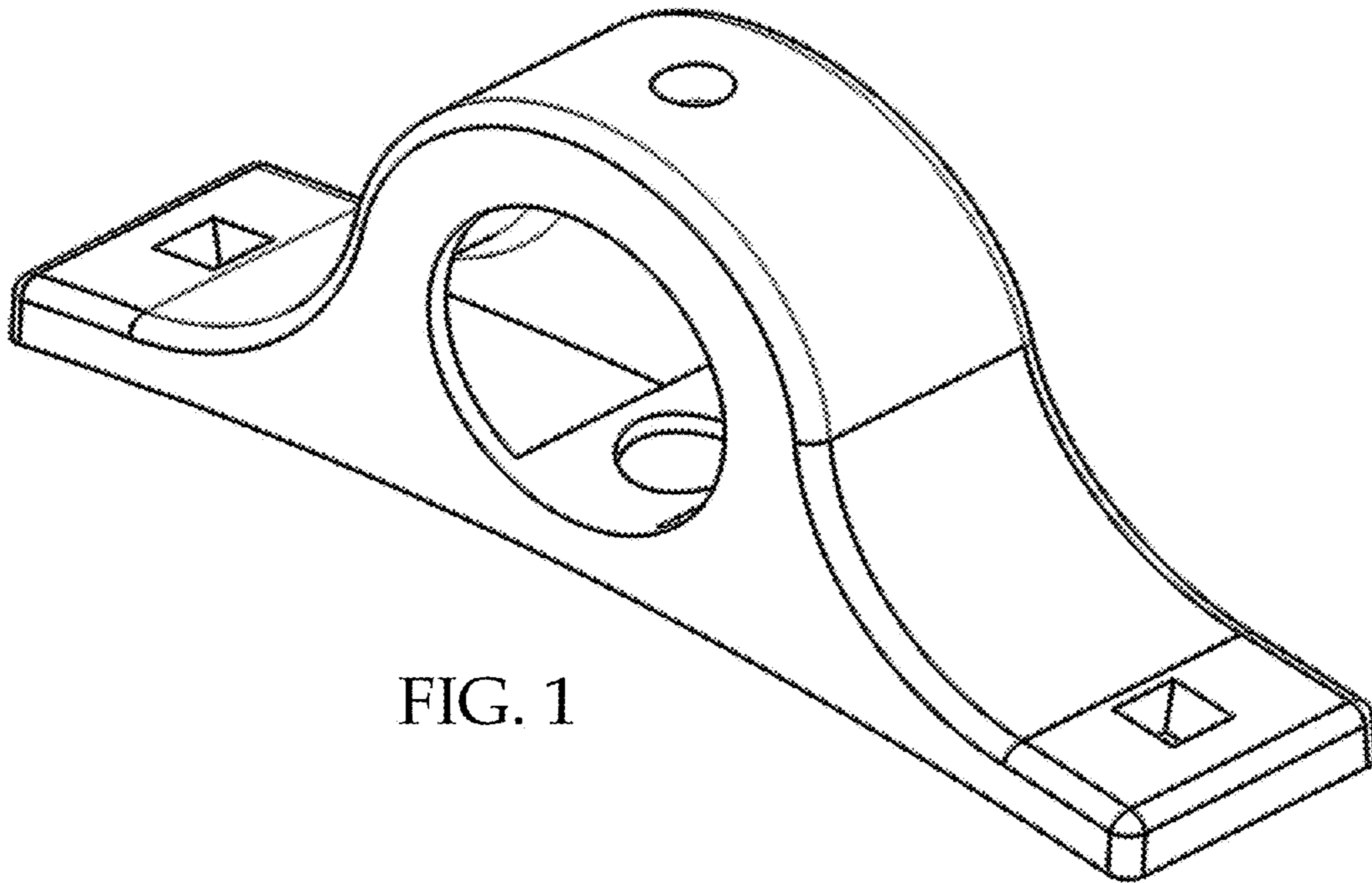


FIG. 1

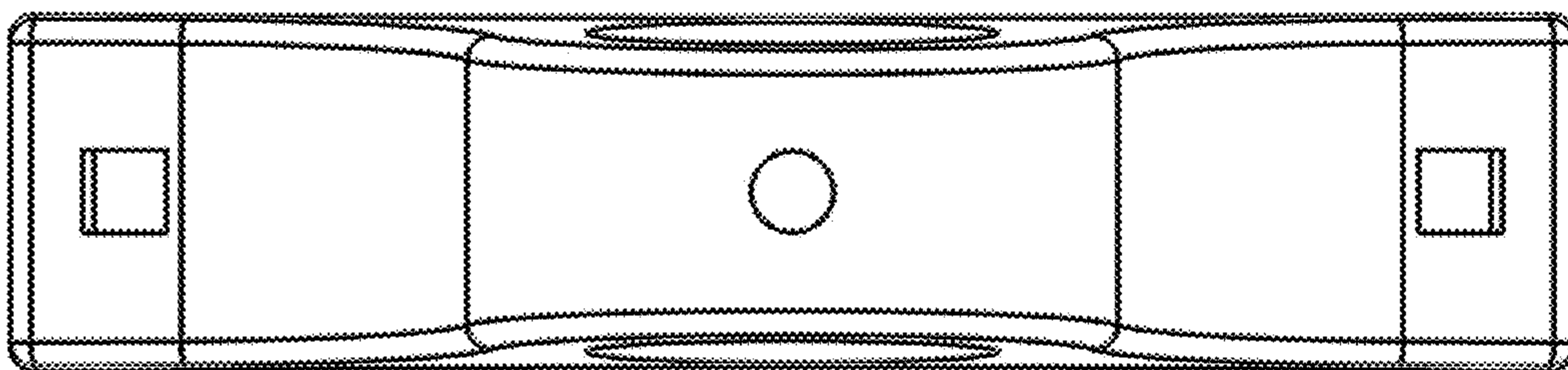


FIG. 2

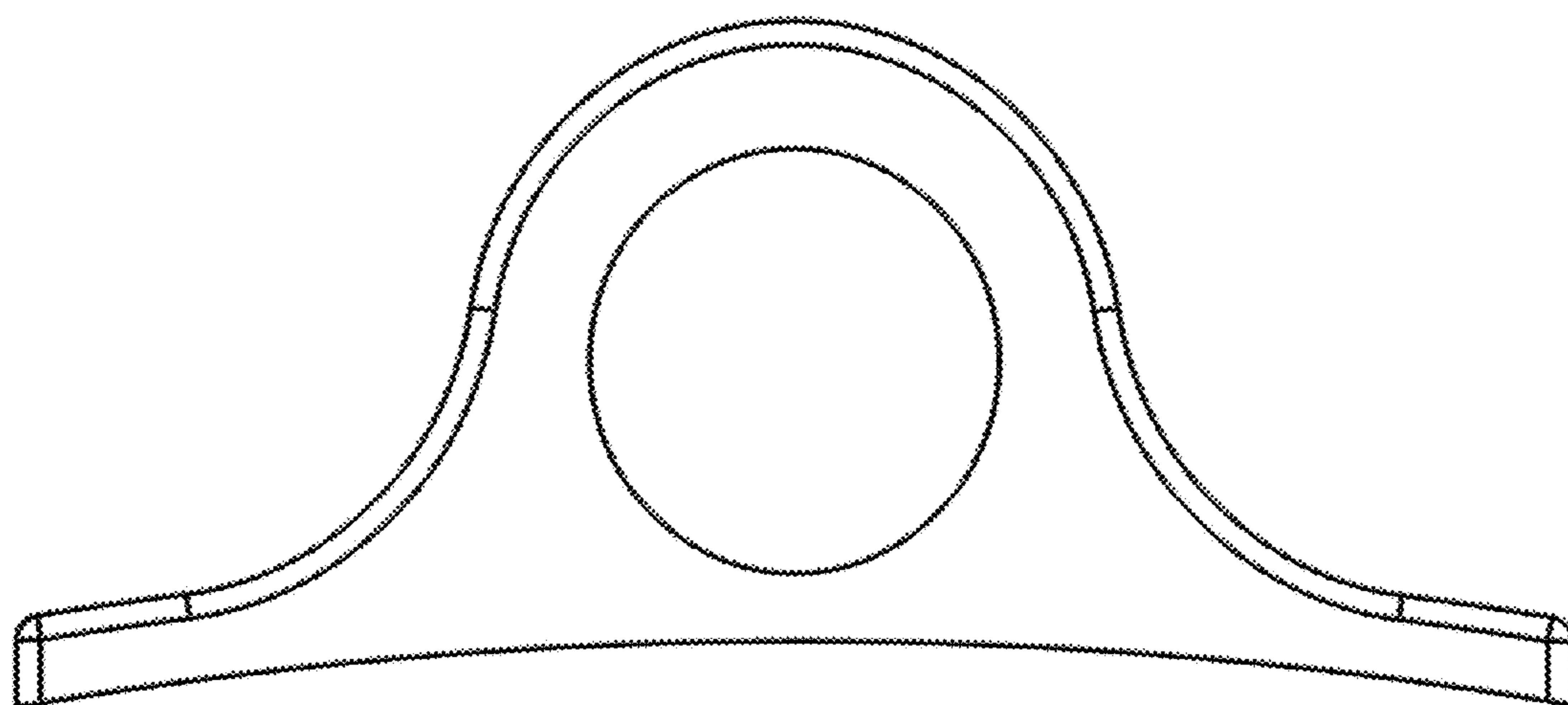


FIG. 3

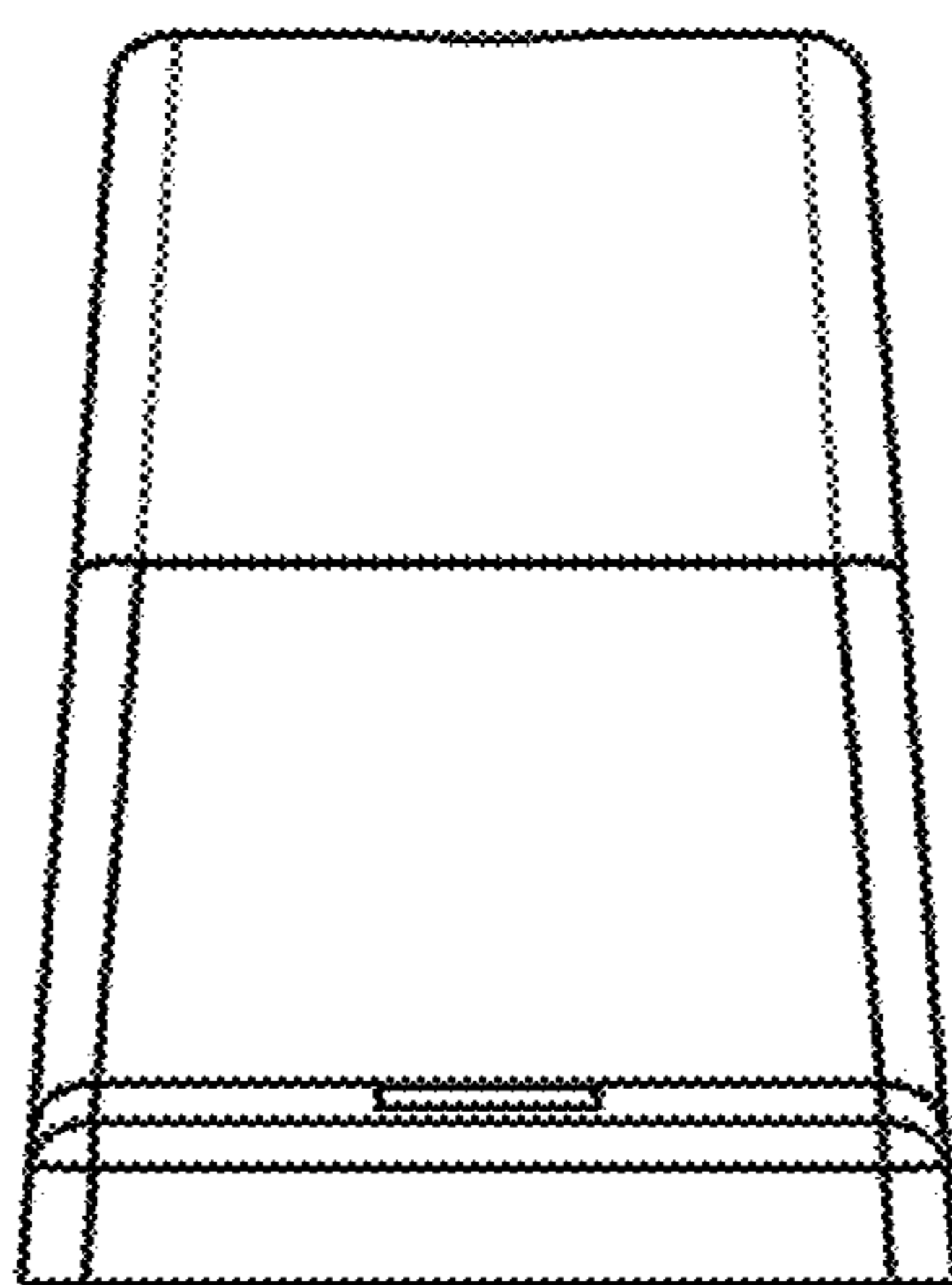


FIG. 4

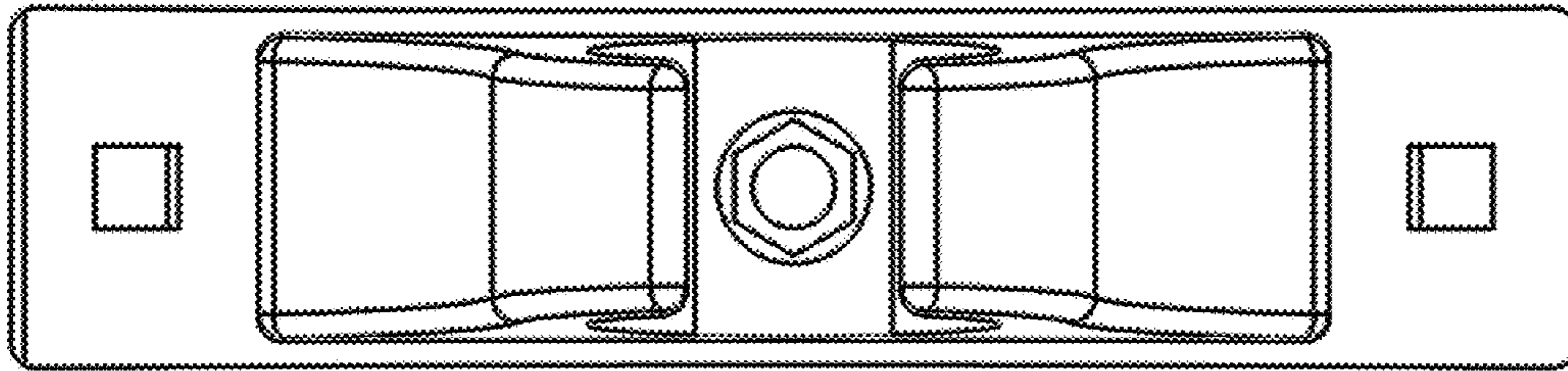


FIG. 5

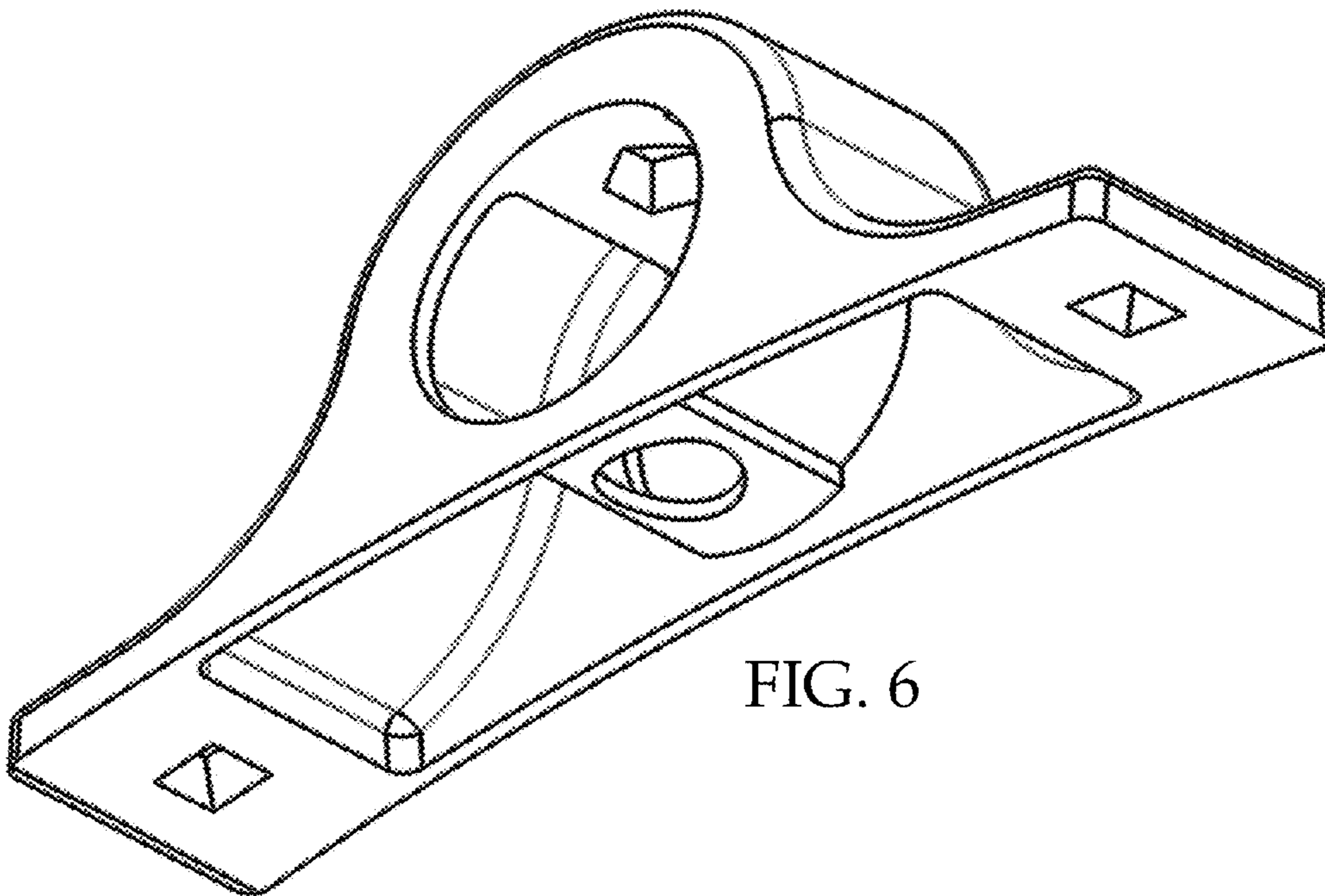


FIG. 6

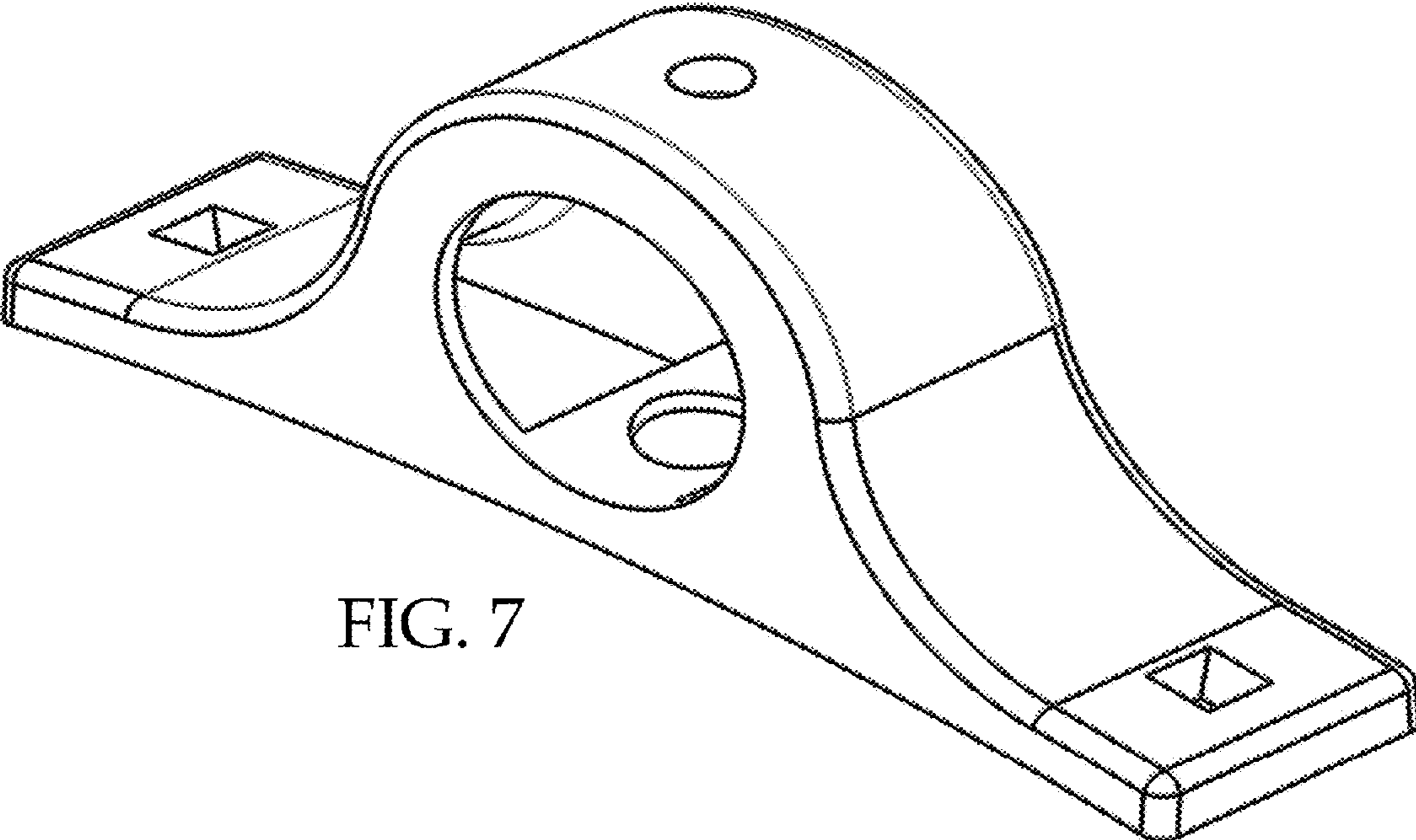


FIG. 7

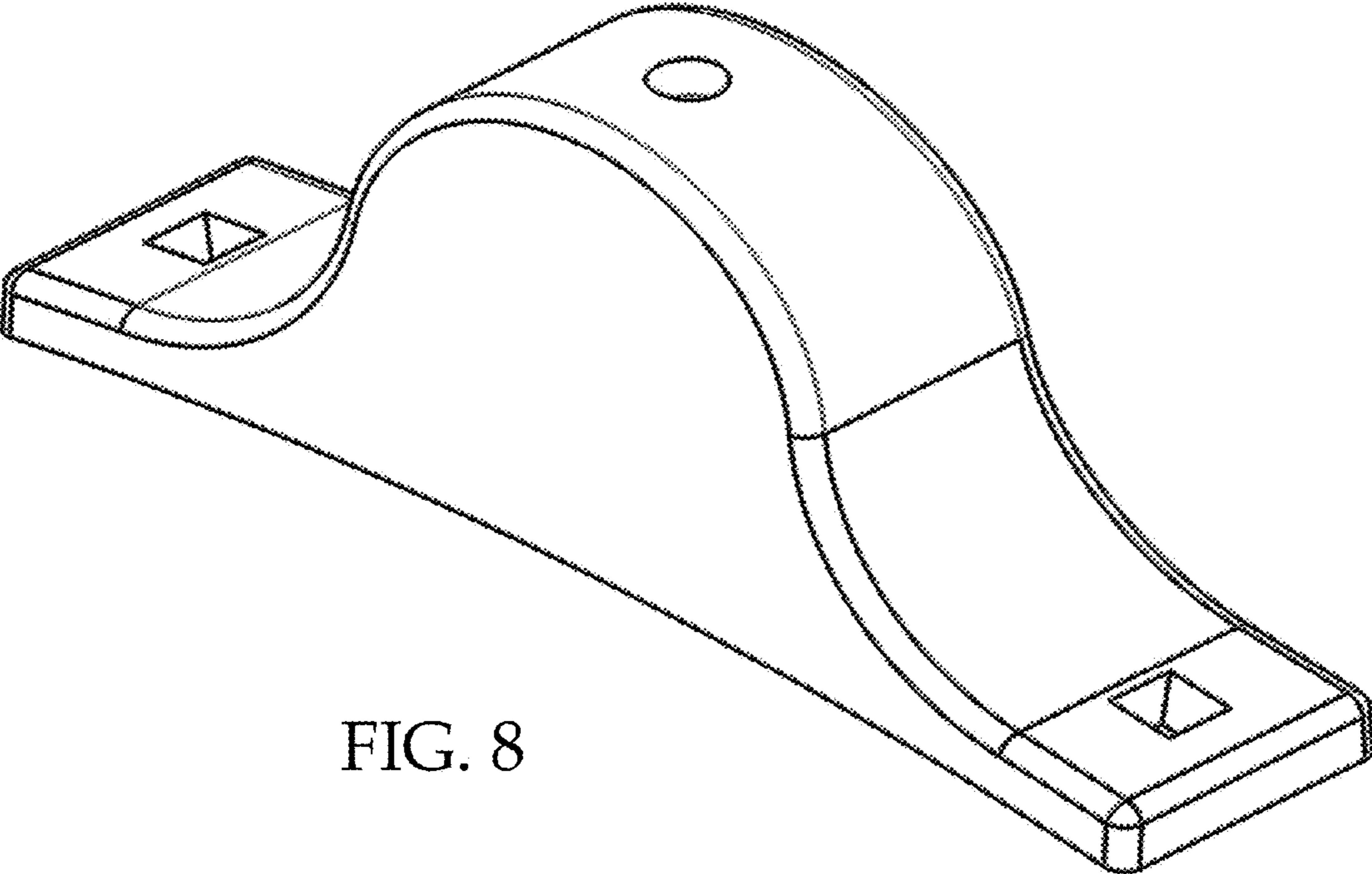


FIG. 8

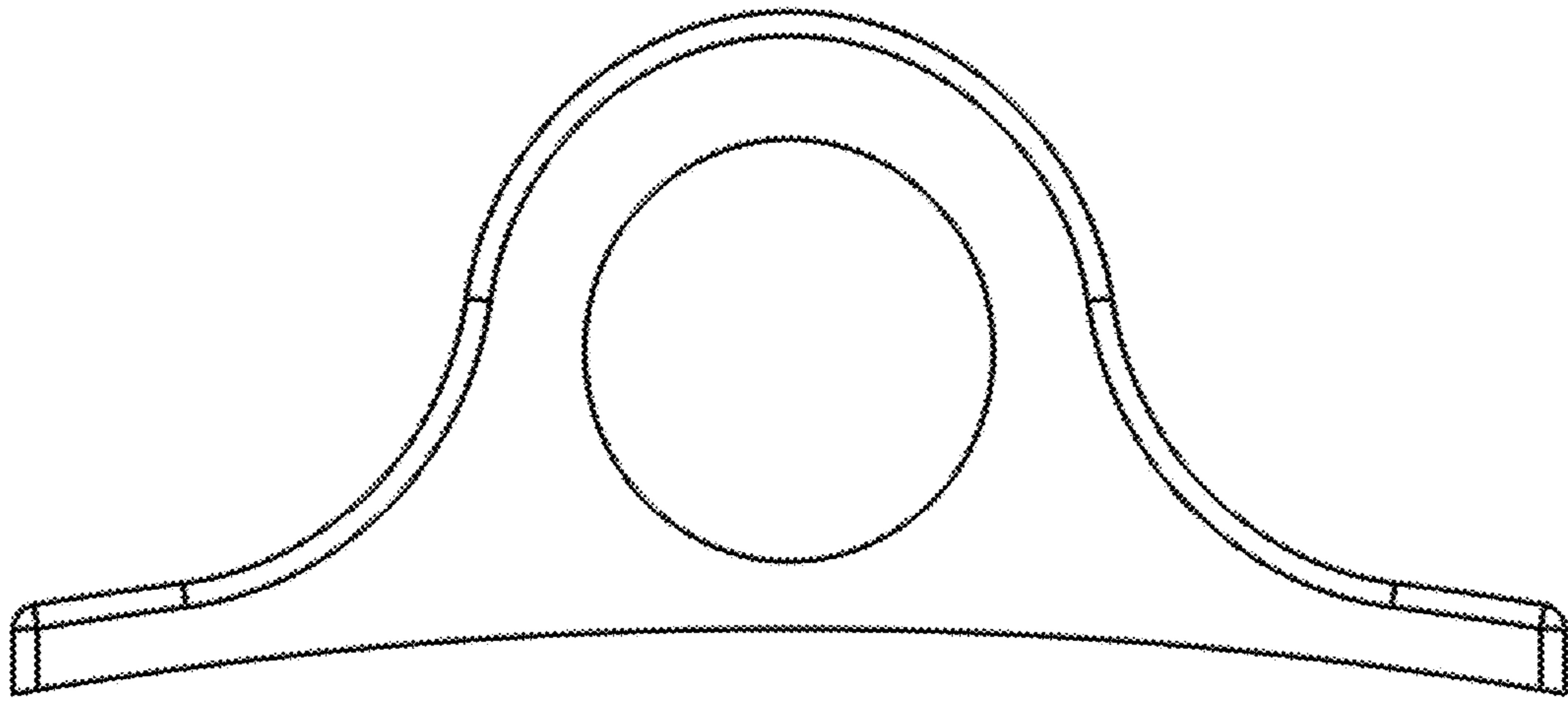


FIG. 9

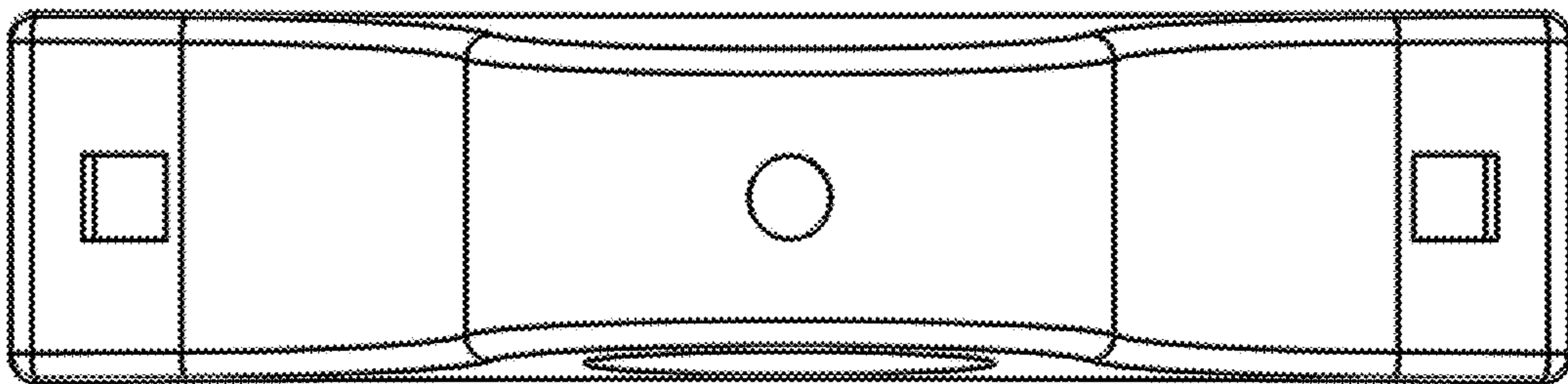


FIG. 10

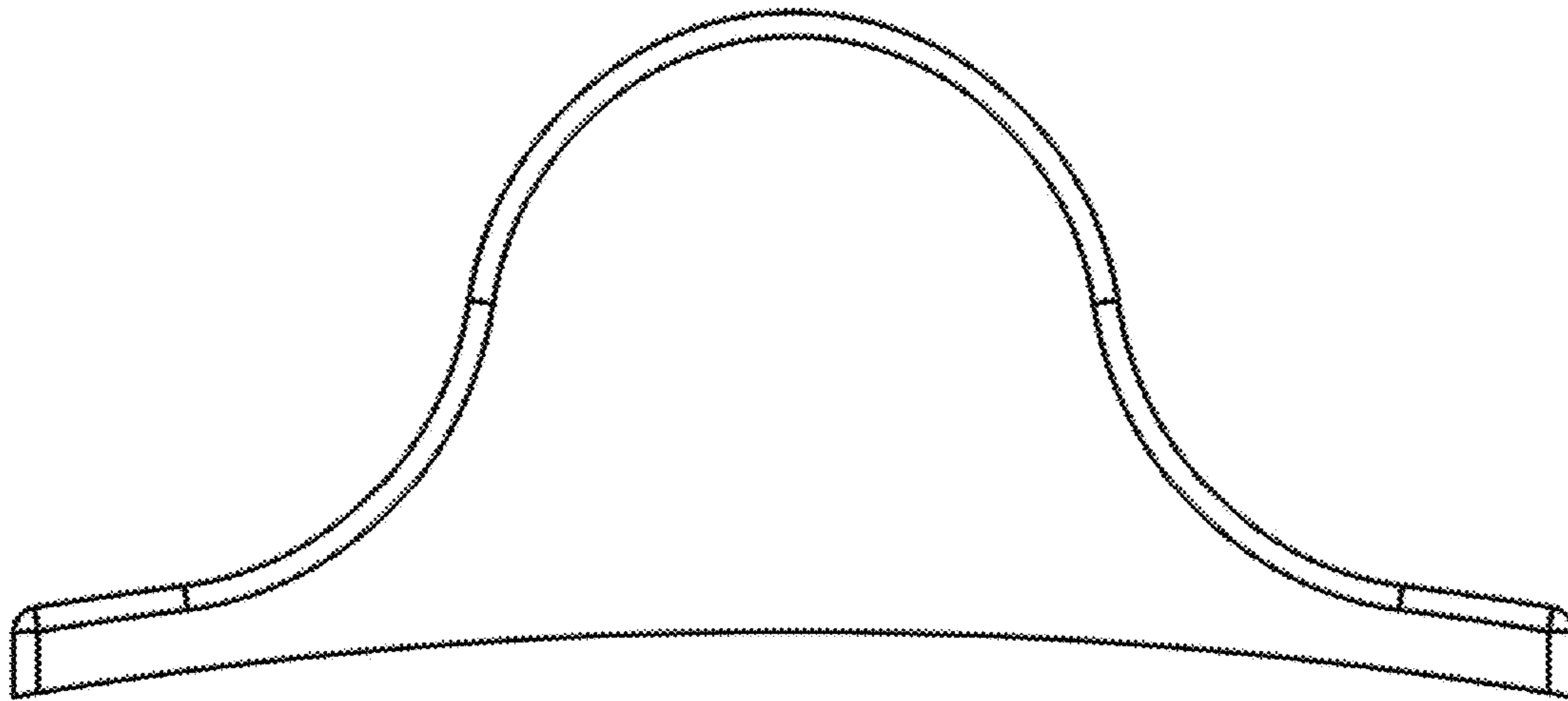


FIG. 11

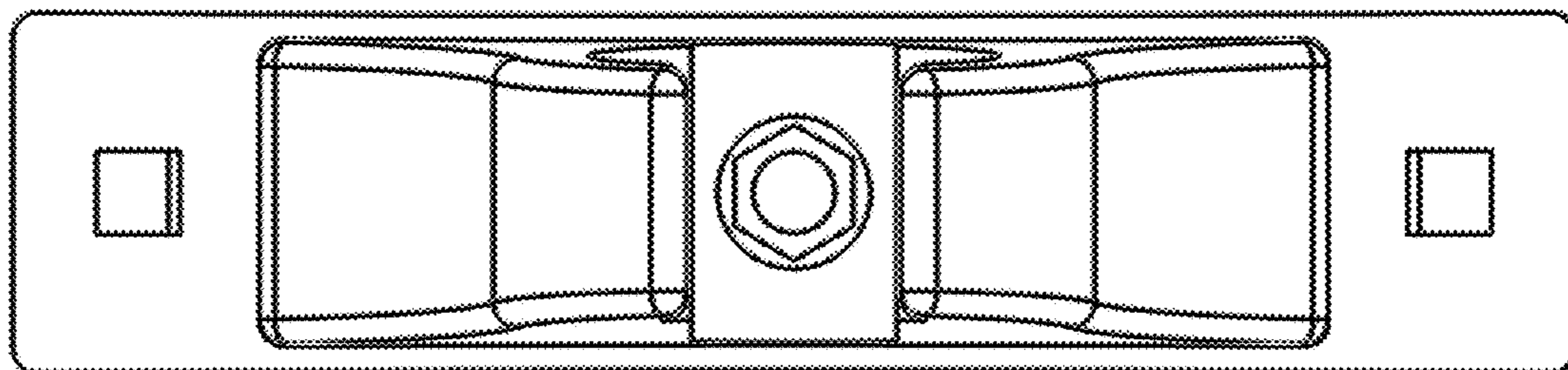


FIG. 12

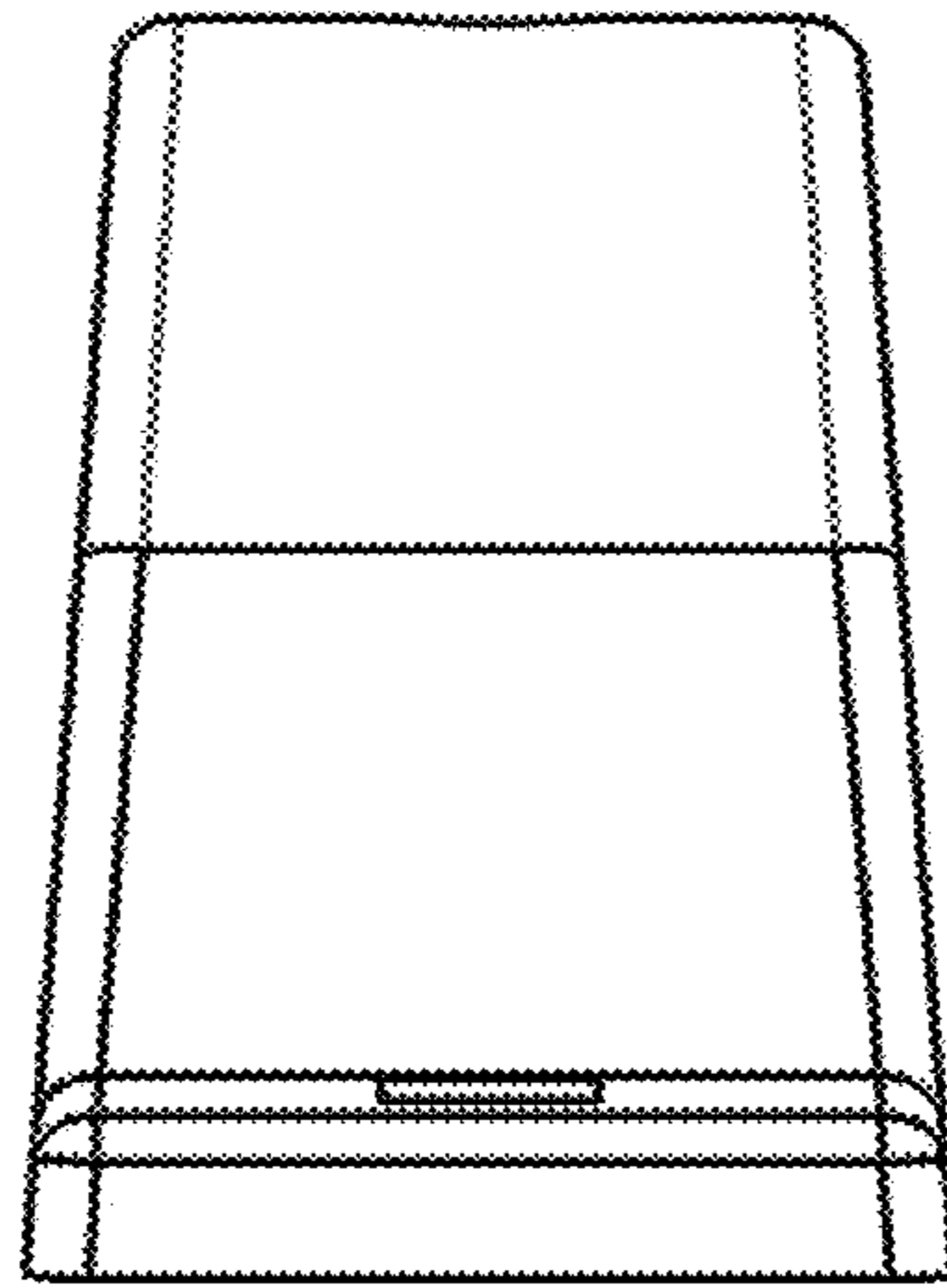


FIG. 13

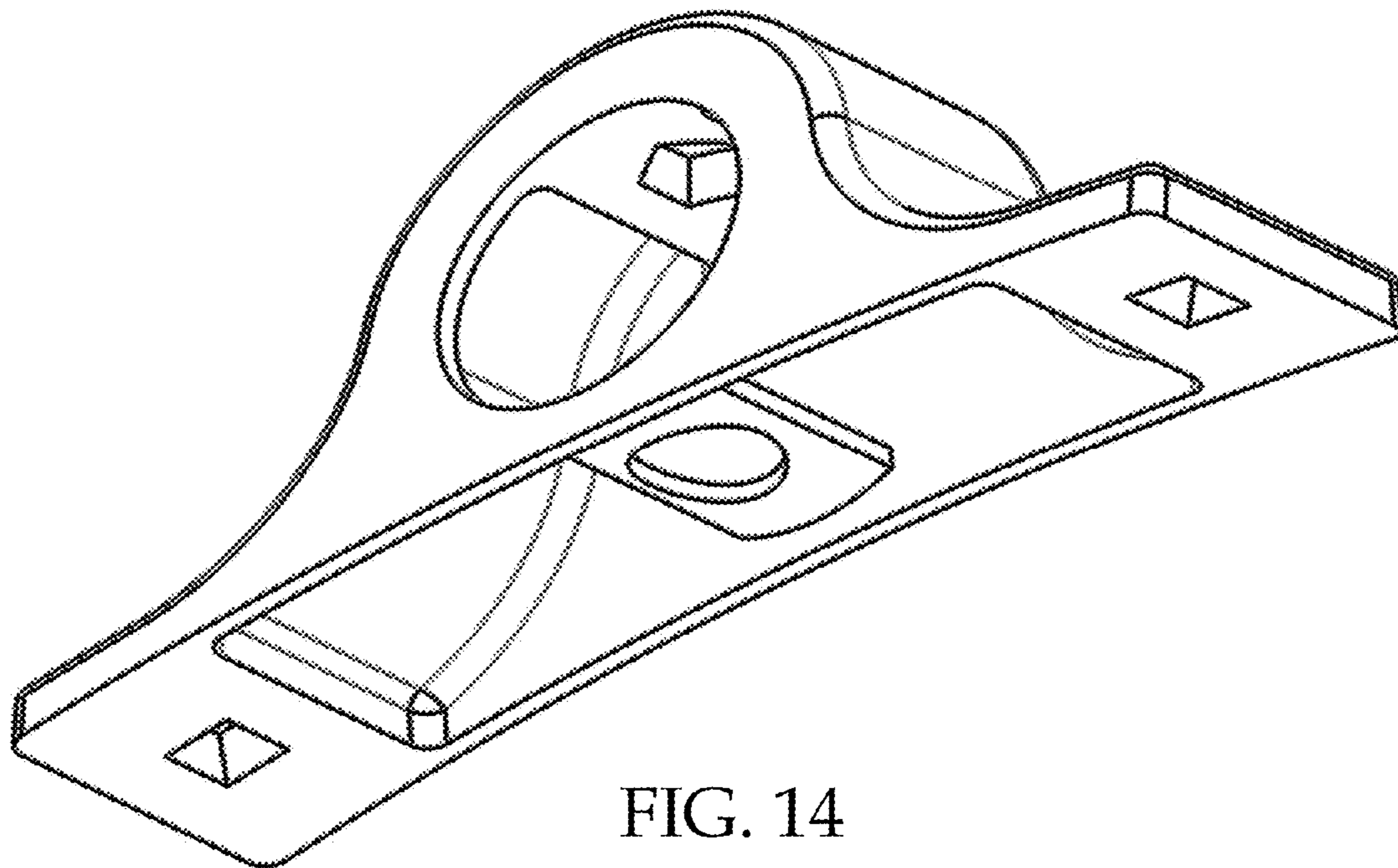


FIG. 14