



US00D738190S

(12) **United States Design Patent**  
**Davtian**

(10) **Patent No.:** **US D738,190 S**  
(45) **Date of Patent:** **\*\* Sep. 8, 2015**

- (54) **TOWEL SECURING ACCESSORY**
- (71) Applicant: **Ruzanna Davtian**, Warwick, RI (US)
- (72) Inventor: **Ruzanna Davtian**, Warwick, RI (US)
- (\*\*) Term: **14 Years**
- (21) Appl. No.: **29/458,982**
- (22) Filed: **Jun. 25, 2013**
- (51) **LOC (10) Cl.** ..... **08-08**
- (52) **U.S. Cl.**  
USPC ..... **D8/349**; D6/608
- (58) **Field of Classification Search**  
USPC ..... D8/349, 354, 382, 388, 389, 391, 393;  
D6/608; D21/255, 839, 840  
CPC ..... A47C 31/00; A47C 3/10; A47B 97/00;  
A47G 9/06; A47G 9/062; A47G 7/025;  
E04H 12/22; E04H 15/62; E04H 15/32;  
E04H 15/12; E02D 5/80  
See application file for complete search history.

5,579,798 A	12/1996	Pruitt	
D398,514 S	9/1998	Anderson	
D426,147 S *	6/2000	Nichols	..... D8/391
6,226,813 B1	5/2001	Wilburn et al.	
6,631,527 B2 *	10/2003	Hyduk	..... 5/417
6,839,921 B2 *	1/2005	Cloutier et al.	..... 5/417
6,938,384 B1	9/2005	Hodge	
7,472,874 B2	1/2009	Gross et al.	
D658,259 S	4/2012	Zhou et al.	
2008/0163915 A1 *	7/2008	Wobrock	..... 135/118
2011/0244179 A1 *	10/2011	Strauwen	..... 428/131

\* cited by examiner

*Primary Examiner* — Thomas Johannes  
*Assistant Examiner* — Shawn T Gingrich  
(74) *Attorney, Agent, or Firm* — Salter & Michaelson

(57) **CLAIM**  
The ornamental design for a towel securing accessory, as shown.

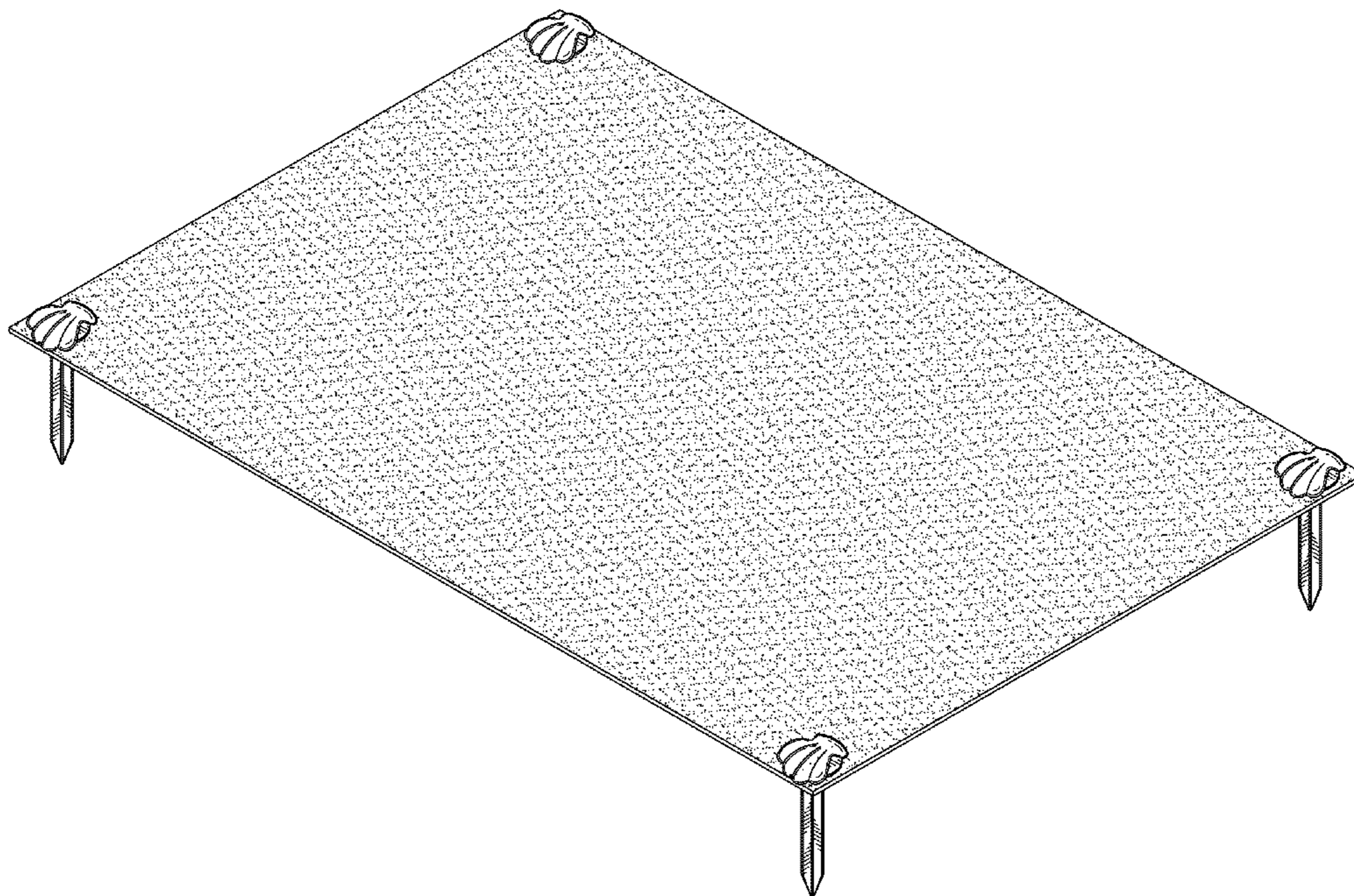
**DESCRIPTION**

FIG. 1 is a perspective view of a towel securing accessory;  
FIG. 2 is a top plan view thereof;  
FIG. 3 is a bottom plan view thereof;  
FIG. 4 is a front elevational view thereof;  
FIG. 5 is a rear elevational view thereof;  
FIG. 6 is a left side elevational view thereof;  
FIG. 7 is a right side elevational view thereof; and,  
FIG. 8 is an exploded perspective view thereof.

**1 Claim, 6 Drawing Sheets**

(56) **References Cited**  
U.S. PATENT DOCUMENTS

2,647,718 A	8/1953	Disera	
2,939,468 A *	6/1960	Boyce	..... 248/508
D299,006 S *	12/1988	Mednick	..... D8/388
5,101,525 A	4/1992	Ippolito	
5,176,354 A	1/1993	Feigenbaum, Jr.	
5,524,309 A *	6/1996	La Barbera	..... 5/658
D377,076 S *	12/1996	Adams	..... D21/840



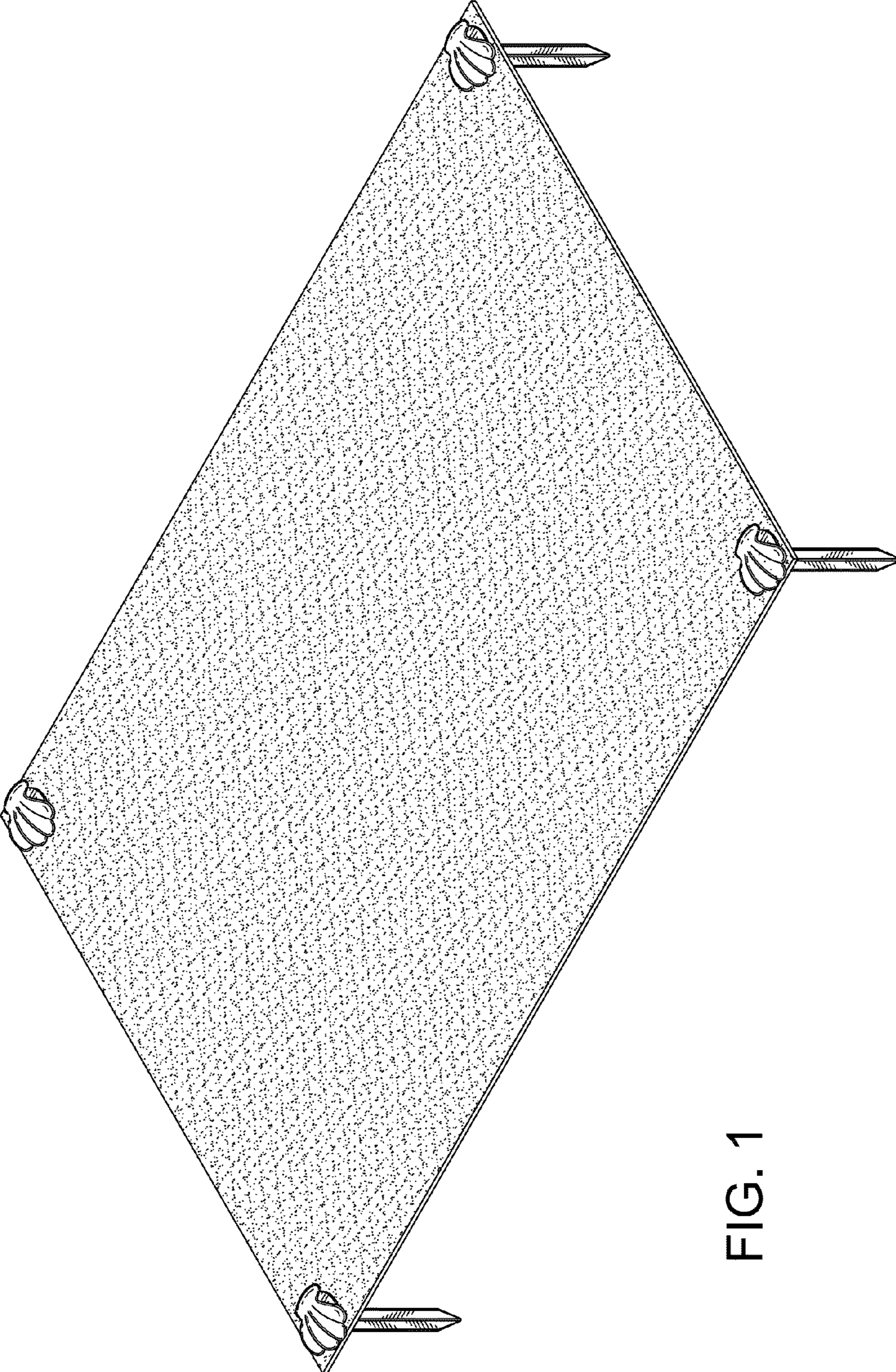


FIG. 1

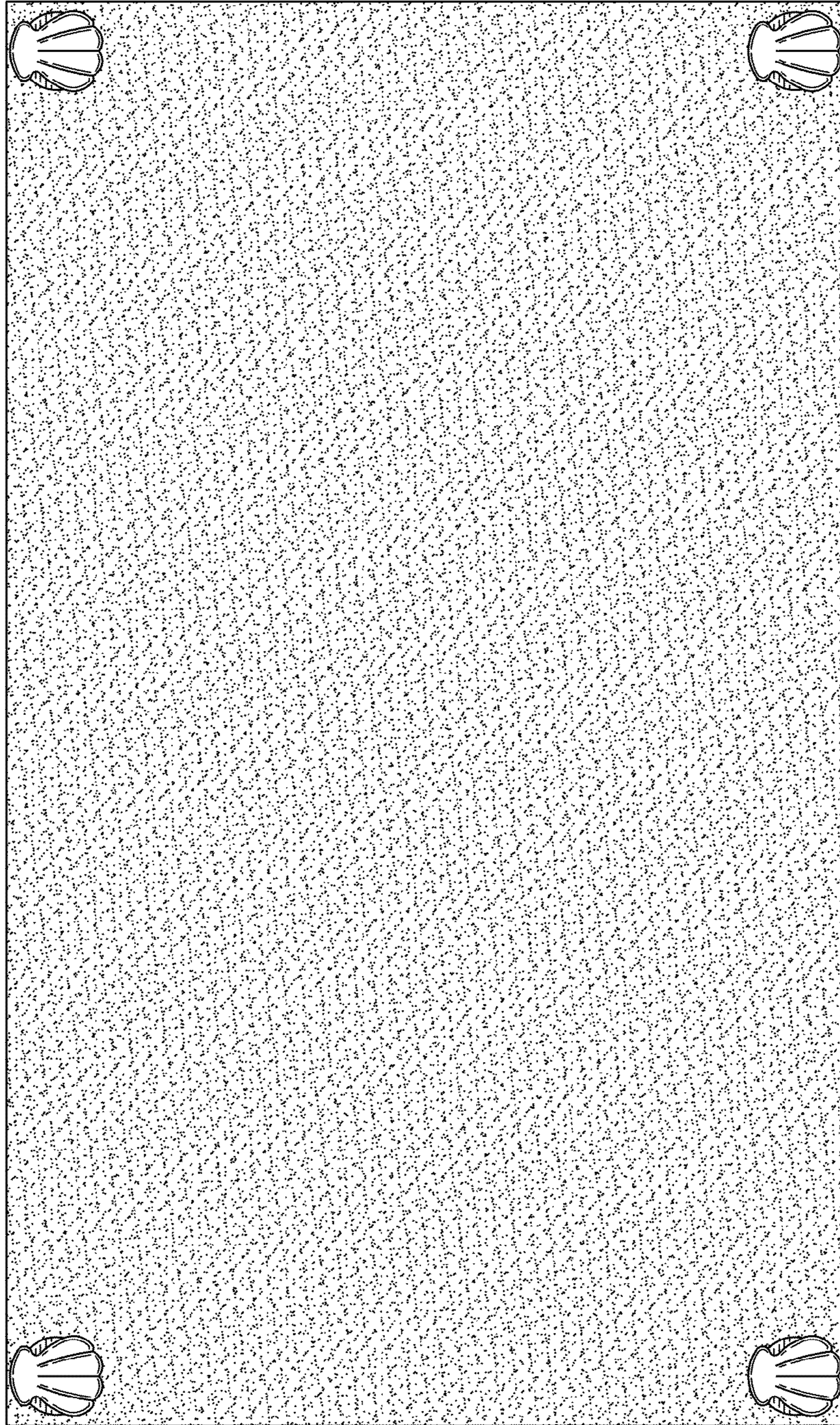


FIG. 2

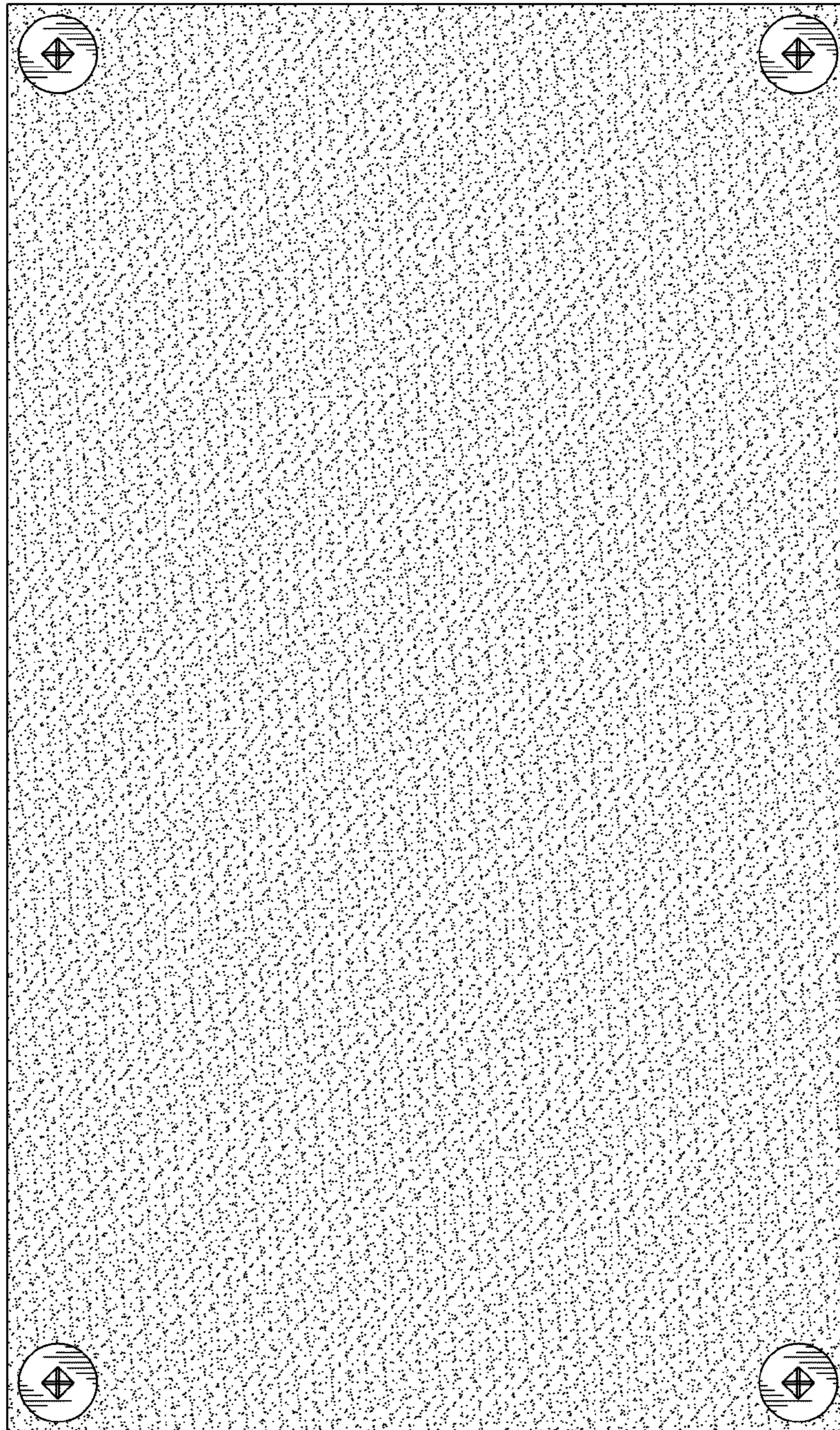


FIG. 3

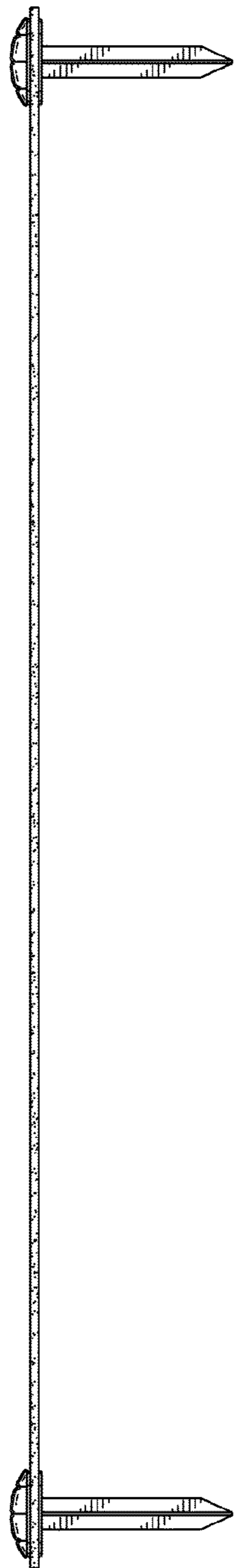


FIG. 4

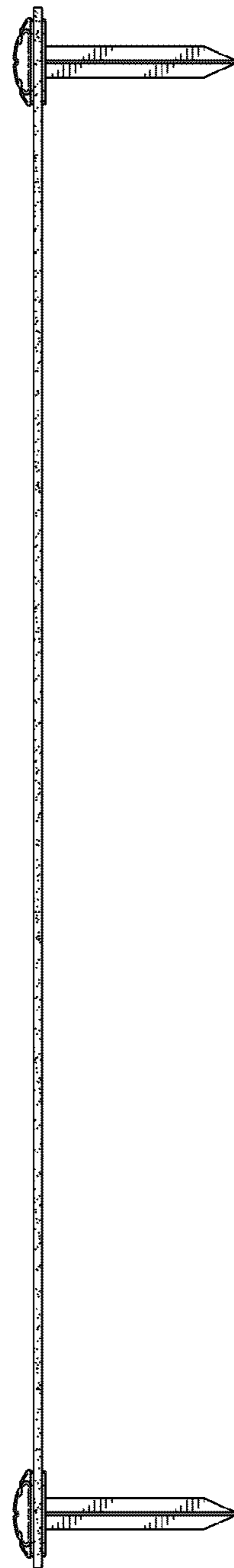


FIG. 5

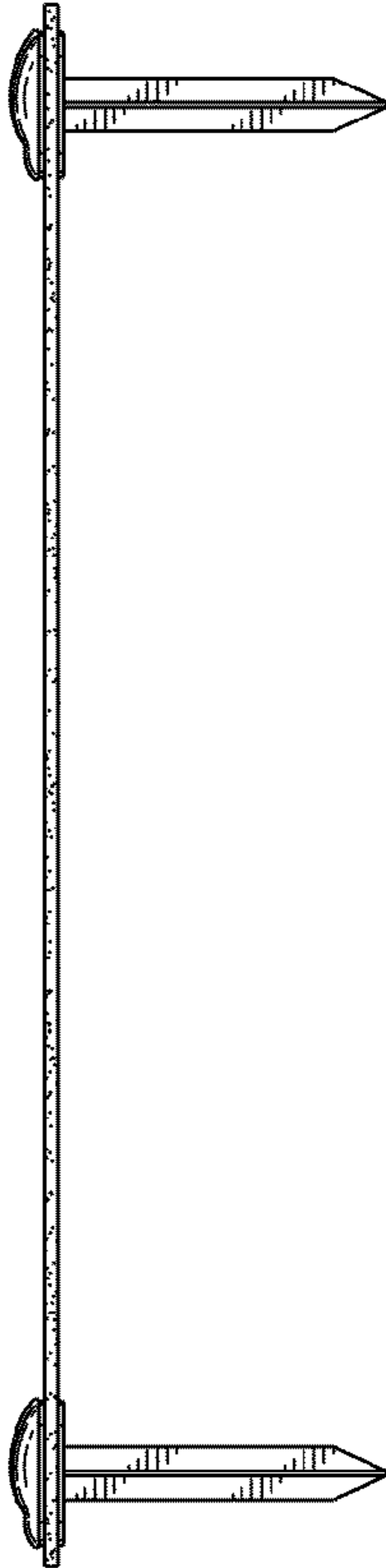


FIG. 6

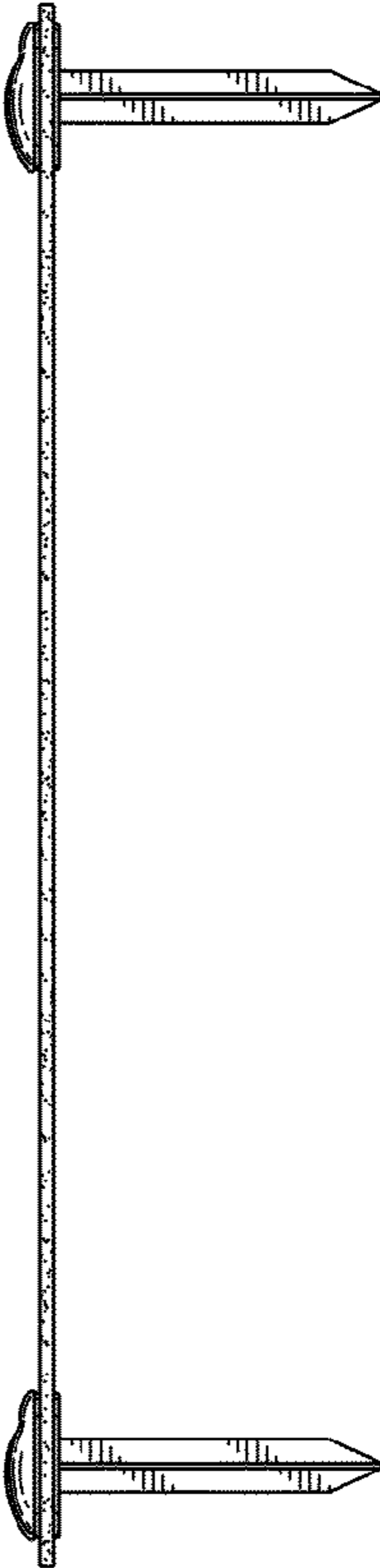


FIG. 7

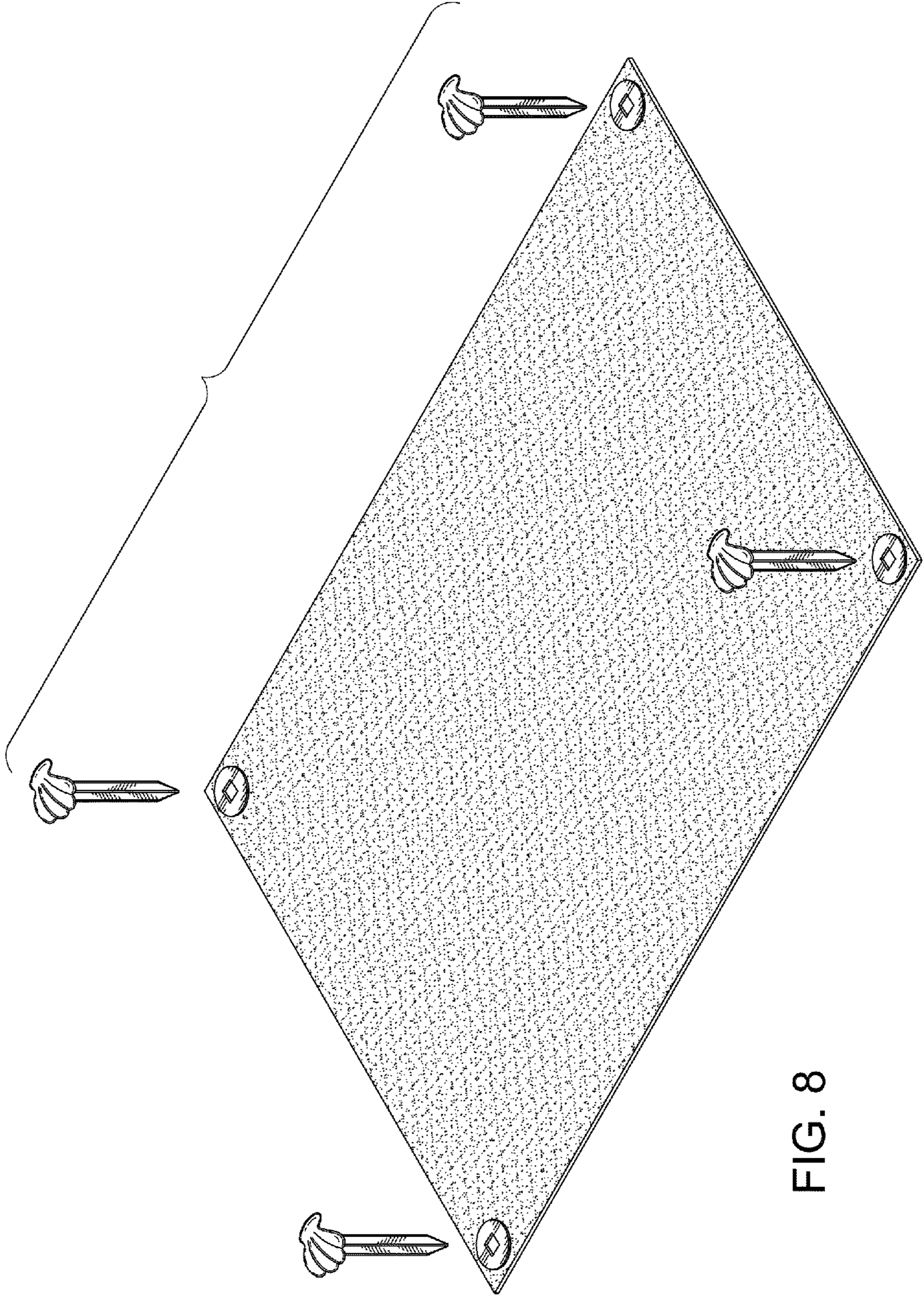


FIG. 8