



US00D738189S

(12) **United States Design Patent**  
**Peay**

(10) **Patent No.:** **US D738,189 S**

(45) **Date of Patent:** **\*\* Sep. 8, 2015**

(54) **DISHWASHER ANCHORING BRACKET**

(56) **References Cited**

(71) Applicant: **Michael Peay**, Franklin, TN (US)

U.S. PATENT DOCUMENTS

(72) Inventor: **Michael Peay**, Franklin, TN (US)

6,418,695	B1 *	7/2002	Daudet et al.	52/677
D615,385	S *	5/2010	Arendt	D8/349
D628,459	S *	12/2010	Minkley et al.	D8/349
D638,687	S *	5/2011	Minkley et al.	D8/349
D649,863	S *	12/2011	Meyer	D8/354
8,109,124	B2 *	2/2012	Lin	72/176
8,523,119	B1 *	9/2013	Greer et al.	248/65
D702,533	S *	4/2014	Noturno	D8/354
8,763,965	B1 *	7/2014	Peay	248/205.1
D723,998	S *	3/2015	Hansen et al.	D12/223
2002/0092259	A1 *	7/2002	Crawford et al.	52/696
2004/0056168	A1 *	3/2004	Johnson	248/475.1
2009/0266949	A1 *	10/2009	Peay	248/205.1

(\*\*) Term: **14 Years**

(21) Appl. No.: **29/450,585**

(22) Filed: **Mar. 19, 2013**

**Related U.S. Application Data**

(63) Continuation of application No. 12/547,652, filed on Aug. 26, 2009, now Pat. No. 8,763,965, and a continuation-in-part of application No. 12/108,811, filed on Apr. 24, 2008, now abandoned.

\* cited by examiner

(51) **LOC (10) Cl.** ..... **08-08**

*Primary Examiner* — Thomas Johannes

*Assistant Examiner* — Shawn T Gingrich

(74) *Attorney, Agent, or Firm* — Ryan D. Levy; Patterson Intellectual Property Law, P.C.

(52) **U.S. Cl.**

USPC ..... **D8/349**

(57) **CLAIM**

What is claimed is the ornamental design for a dishwasher anchoring bracket, as shown and described.

(58) **Field of Classification Search**

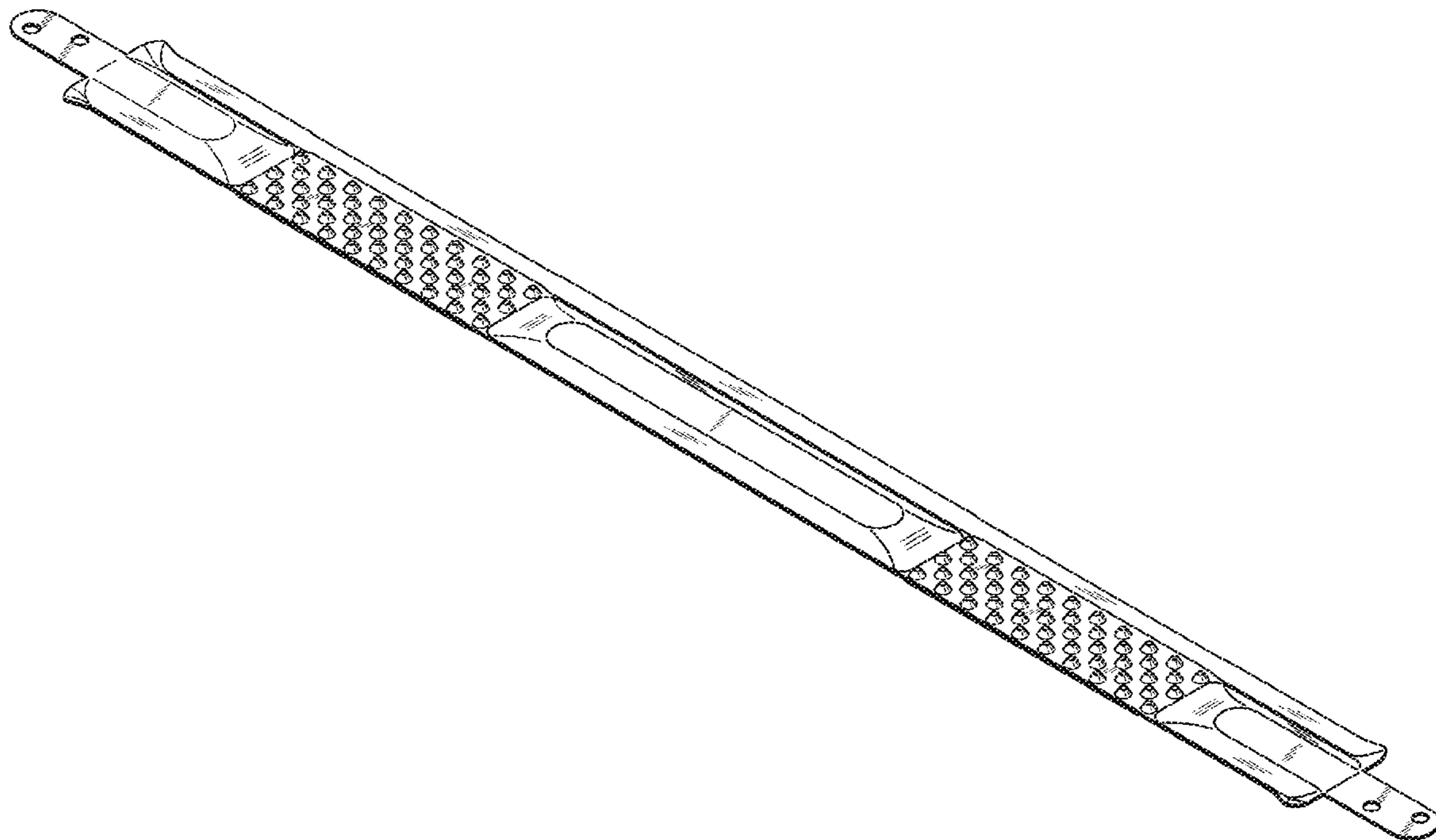
USPC ..... D8/349, 354, 373, 355, 380, 382;  
D7/669, 678; D32/1-3, 25; 248/200,  
248/205.1

**DESCRIPTION**

CPC ..... A47L 15/427; A47B 96/06; H02G 3/125;  
F16M 11/00; E04B 7/022; E04B 2001/2969

See application file for complete search history.

**1 Claim, 3 Drawing Sheets**



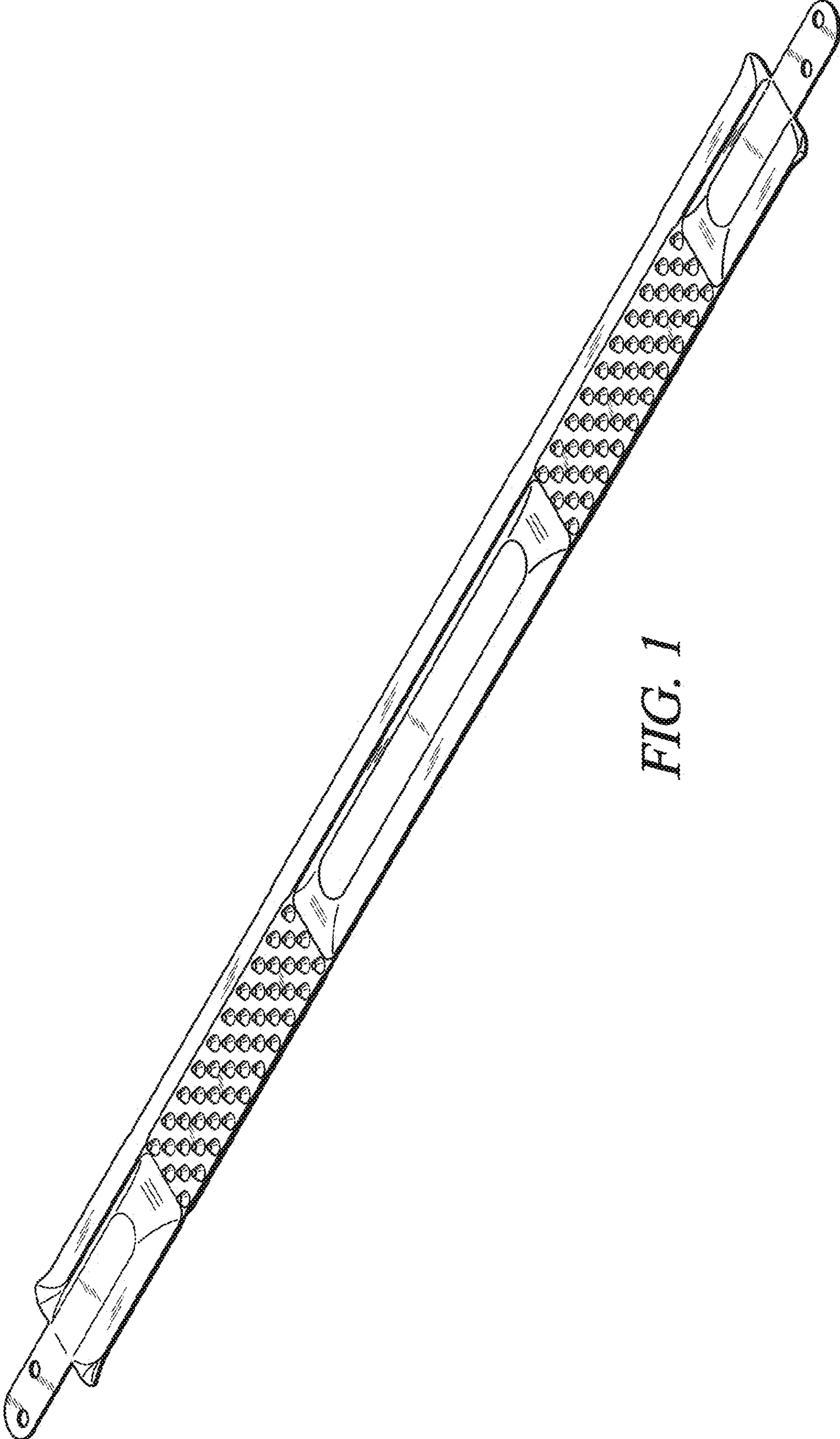


FIG. 1

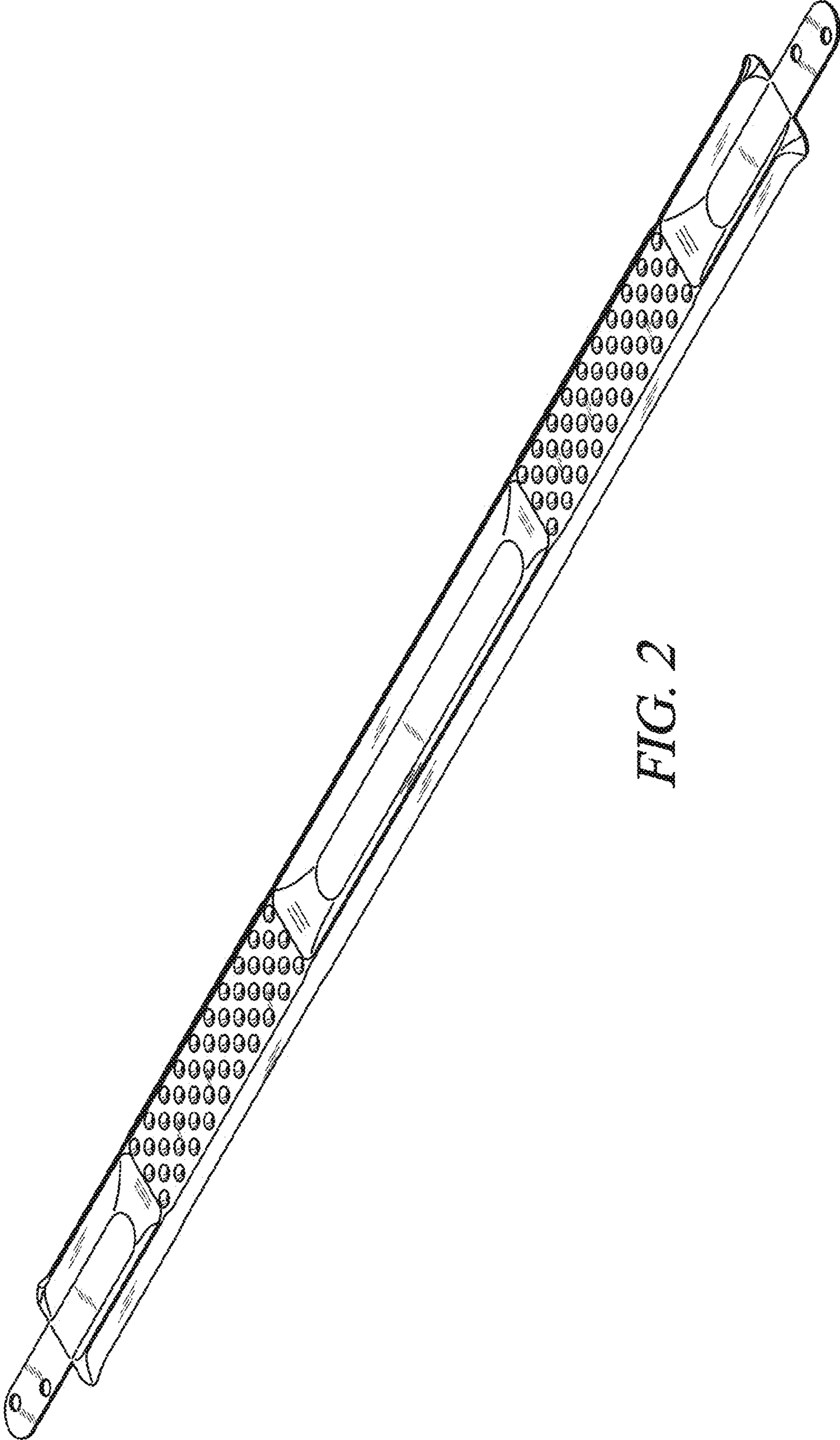


FIG. 2

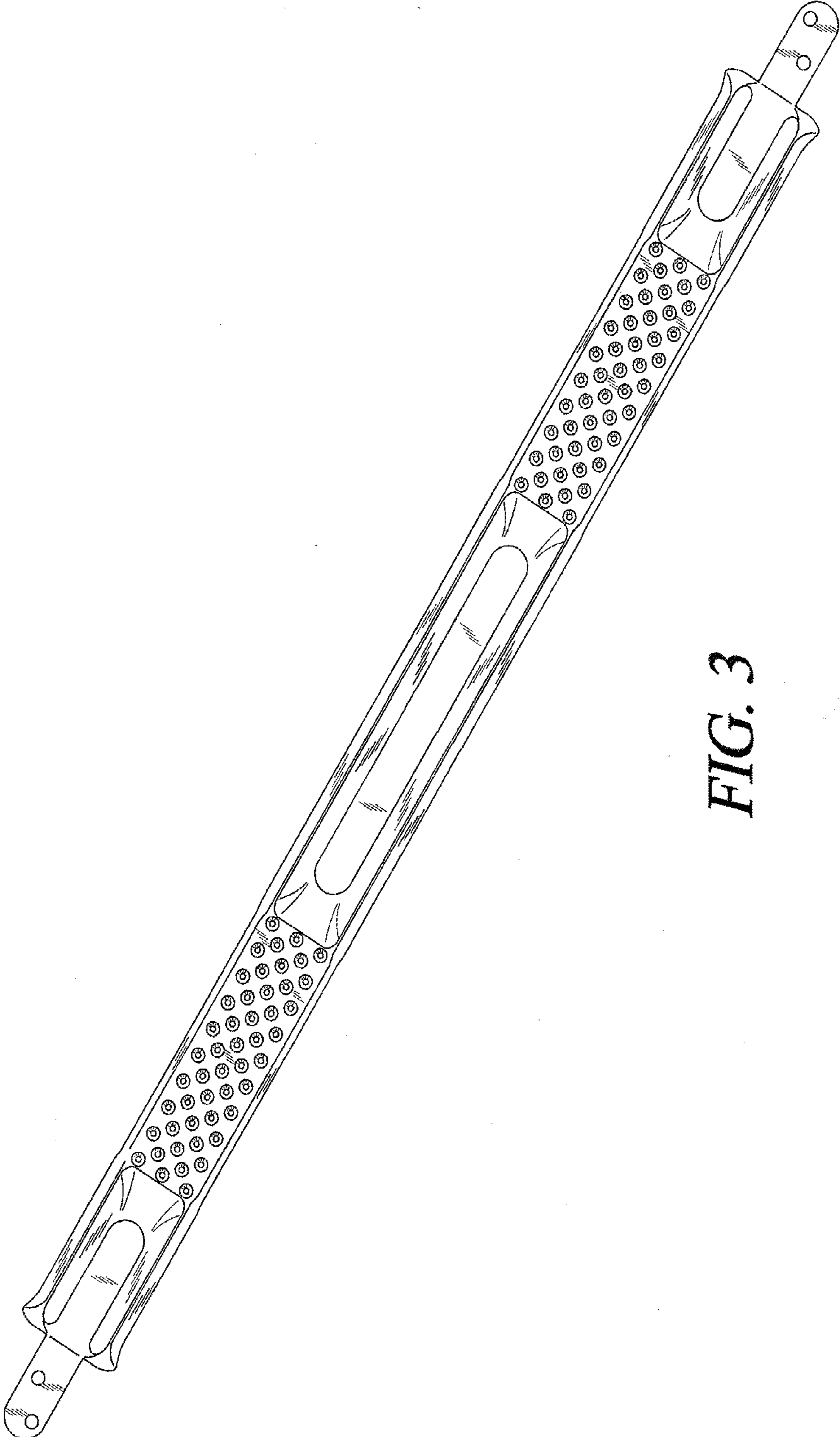


FIG. 3