



US00D738188S

(12) **United States Design Patent**
Snider

(10) **Patent No.:** **US D738,188 S**

(45) **Date of Patent:** **** Sep. 8, 2015**

(54) **UNIVERSAL MIRROR MOUNT FOR SHOWER CADDY**

(75) Inventor: **Martin Snider**, New City, NY (US)

(73) Assignee: **MSA Products, Inc.**, Nyack, NY (US)

(**) Term: **14 Years**

(21) Appl. No.: **29/428,040**

(22) Filed: **Jul. 25, 2012**

(51) **LOC (10) Cl.** **08-05**

(52) **U.S. Cl.**
USPC **D8/349**

(58) **Field of Classification Search**
USPC D8/300, 303, 336, 349, 354, 355, 363,
D8/373; D6/500, 518, 519, 521, 522, 523,
D6/524, 546, 550; 248/175, 200, 217.4,
248/251, 300, 302, 304; D12/223;
D24/129, 143, 223

See application file for complete search history.

(56) **References Cited**

U.S. PATENT DOCUMENTS

1,459,115	A *	6/1923	Pedersen	254/388
3,942,228	A *	3/1976	Buckman et al.	251/4
D247,216	S *	2/1978	Mathews	D8/356
D248,367	S *	7/1978	Haft	D8/356
D277,546	S *	2/1985	Trotta	D8/349
4,589,626	A *	5/1986	Kurtz et al.	251/10
D305,997	S *	2/1990	Harvey et al.	D11/221
D308,816	S *	6/1990	Petty et al.	D8/367
D318,123	S *	7/1991	Yokoyama et al.	D24/129
D323,453	S *	1/1992	Walther	D8/395
D326,382	S *	5/1992	Ko	D6/550
D327,149	S *	6/1992	Harper, IV	D32/61
D329,373	S *	9/1992	Kaga	D8/394
D329,374	S *	9/1992	Kaga	D8/394
D334,134	S *	3/1993	Newcomer et al.	D8/356
D344,886	S *	3/1994	Sachs	D8/373

6,161,812	A *	12/2000	Guala et al.	251/10
D460,734	S *	7/2002	Carlson	D12/223
6,644,618	B1 *	11/2003	Balbo	251/10
D510,019	S *	9/2005	Davis	D8/395
D619,711	S *	7/2010	Lombardo et al.	D24/143
D637,712	S *	5/2011	Chau et al.	D24/129

* cited by examiner

Primary Examiner — Eric Goodman

Assistant Examiner — Bao-Yen Nguyen

(74) *Attorney, Agent, or Firm* — Gerald E. Hespos; Michael J. Porco; Matthew T. Hespos

(57) **CLAIM**

The ornamental design for a universal mirror mount for a shower caddy, as shown and described.

DESCRIPTION

FIG. 1 is a front perspective view of the universal mirror mount for a shower caddy shown in a position of use mounted on a shower caddy with a mirror;

FIG. 2 is a rear-perspective view of the universal mirror mount for a shower caddy shown in a position of use mounted on a shower caddy with a mirror;

FIG. 3 is a rear elevational view of the universal mirror mount for a shower caddy;

FIG. 4 is a top plan view thereof;

FIG. 5 is a side elevational view thereof as viewed from the left side of FIG. 3;

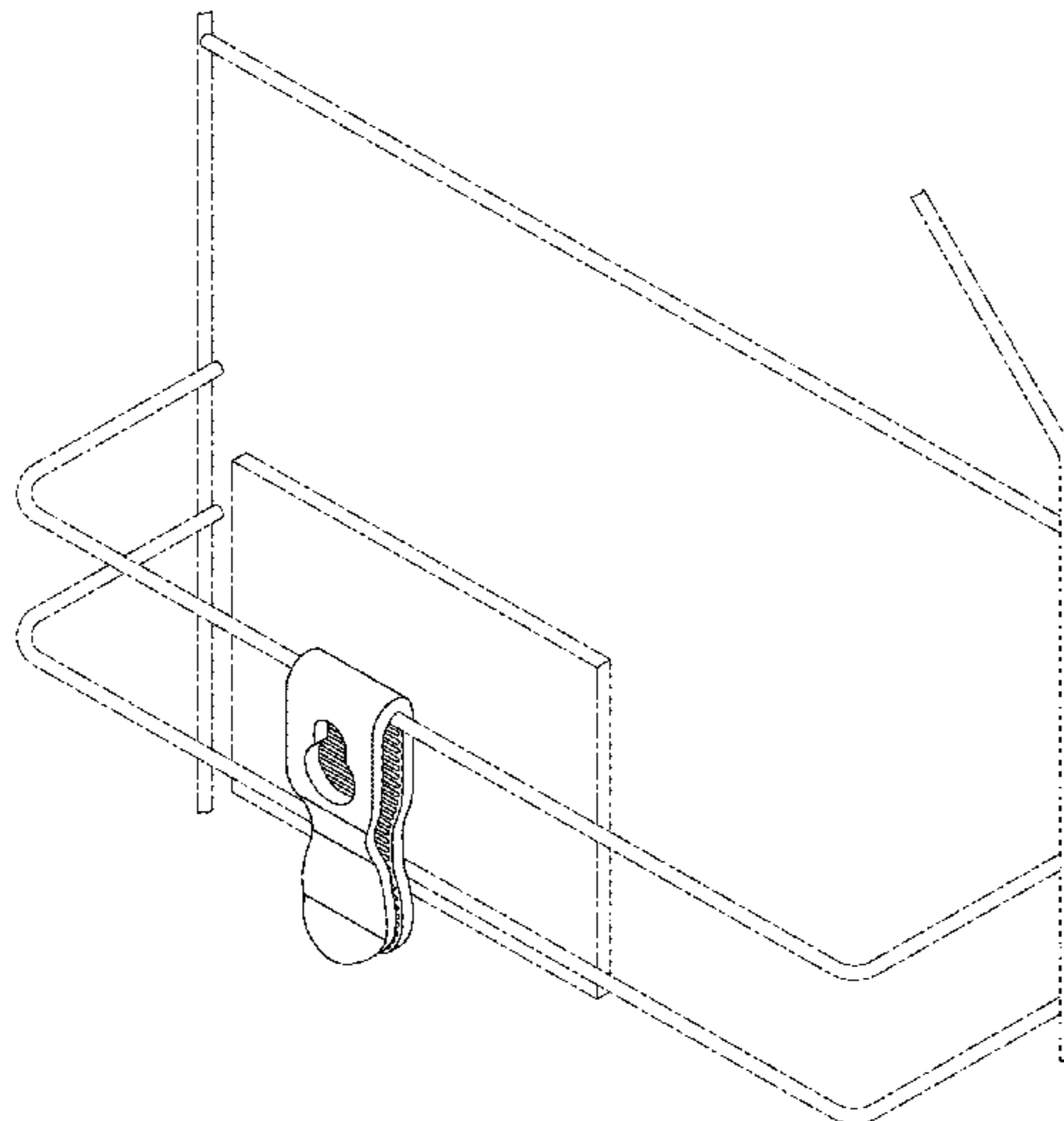
FIG. 6 is a front elevational view thereof;

FIG. 7 is a bottom plan view thereof;

FIG. 8 is a cross-sectional view taken along line 8-8 in FIG. 5; and,

FIG. 9 is a cross-sectional view taken along line 9-9 in FIG. 5. The broken lines forming the shower caddy and the mirror in FIGS. 1 and 2 depict environment that forms no part of the claimed design.

1 Claim, 5 Drawing Sheets



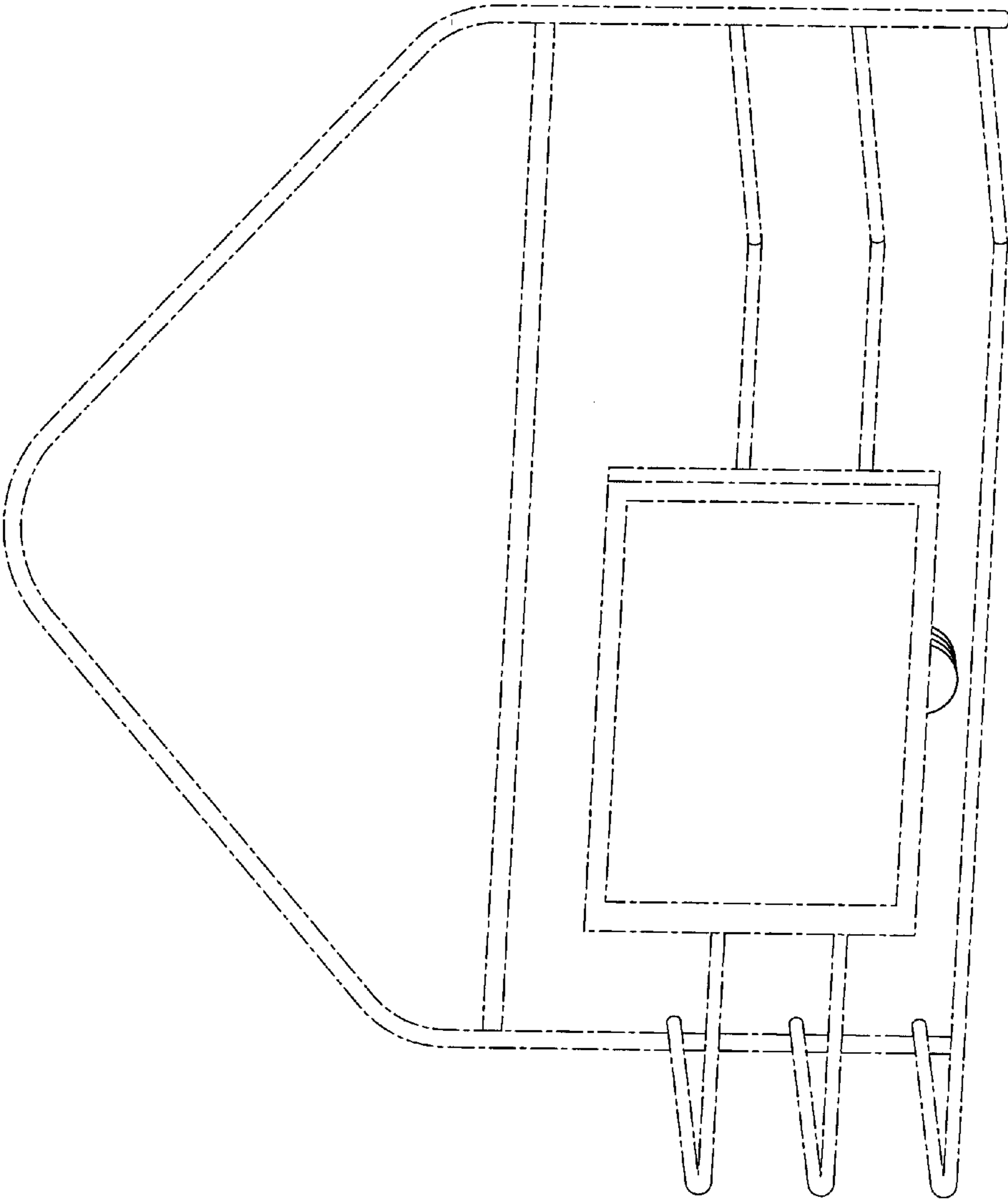


FIG. 1

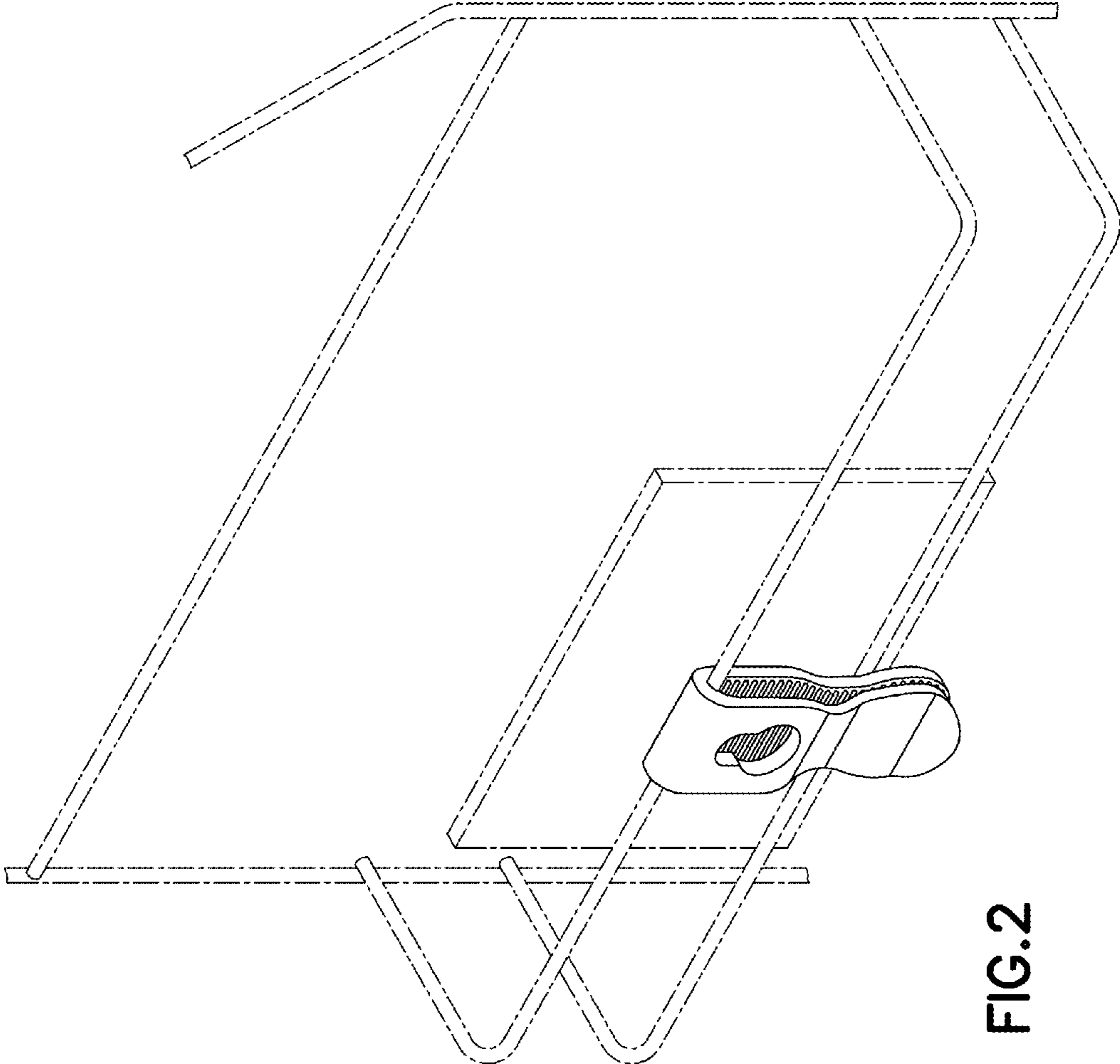


FIG.2

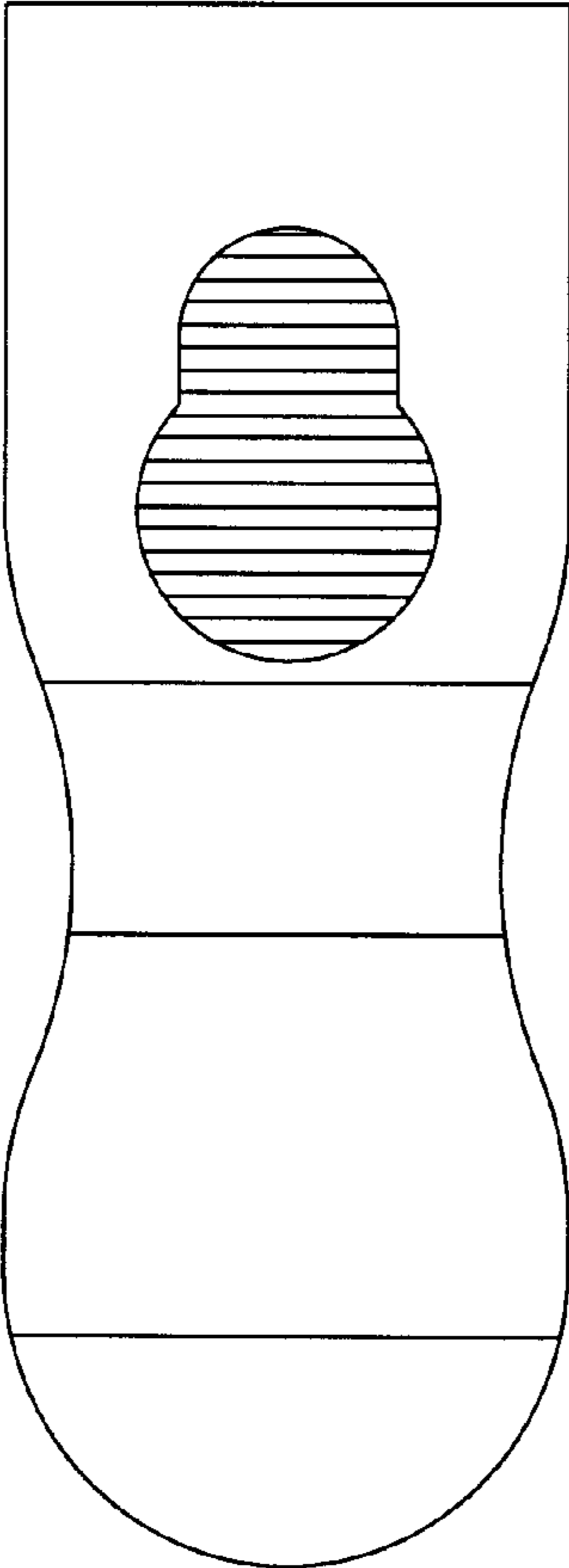


FIG.3

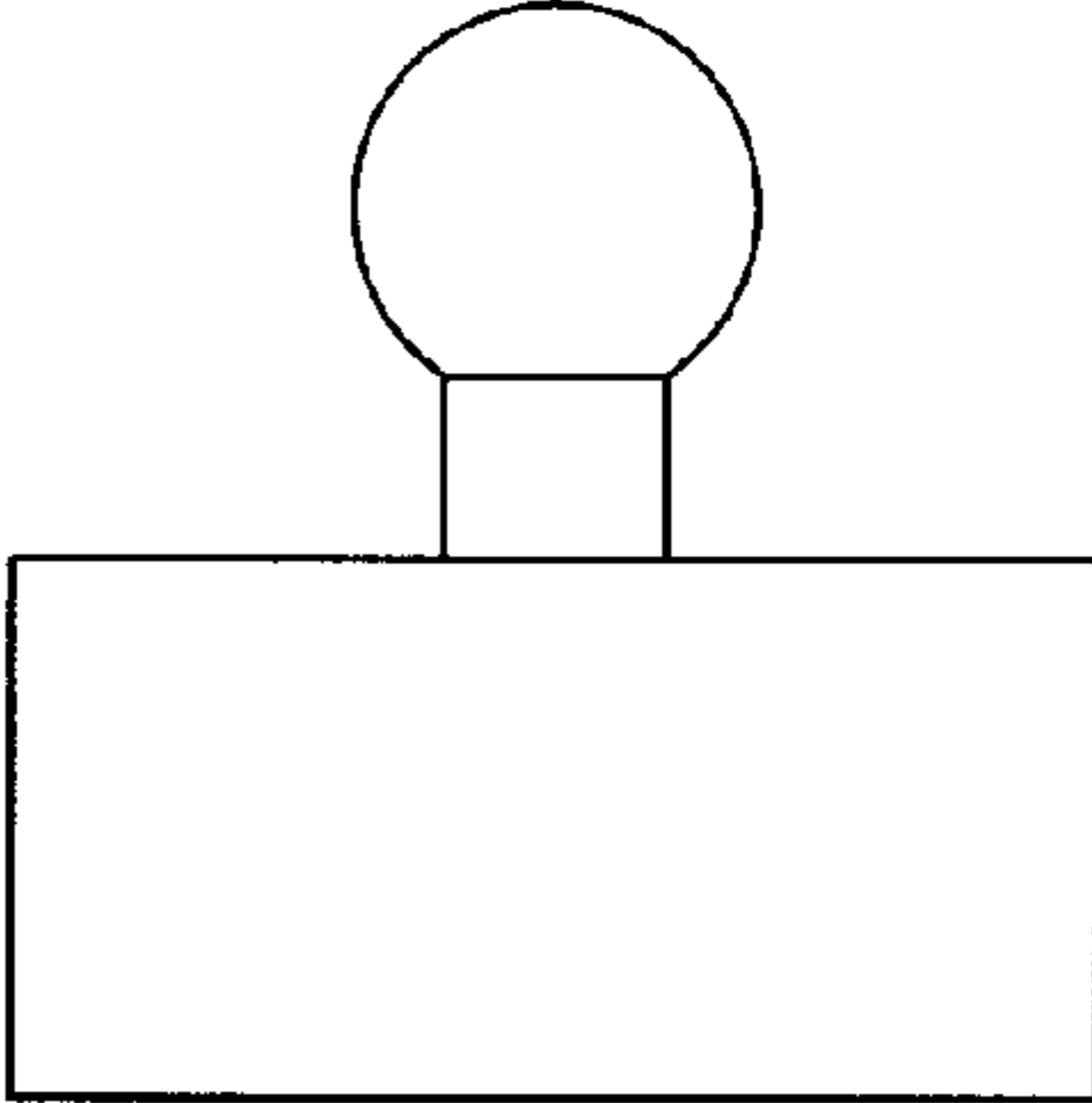


FIG.4

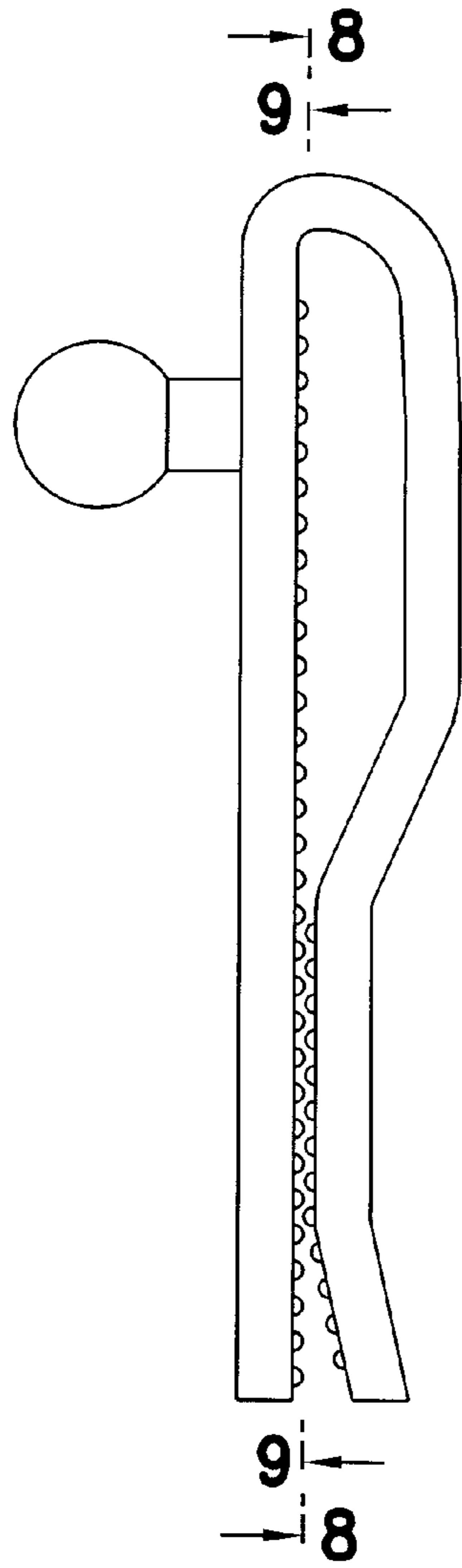


FIG. 5

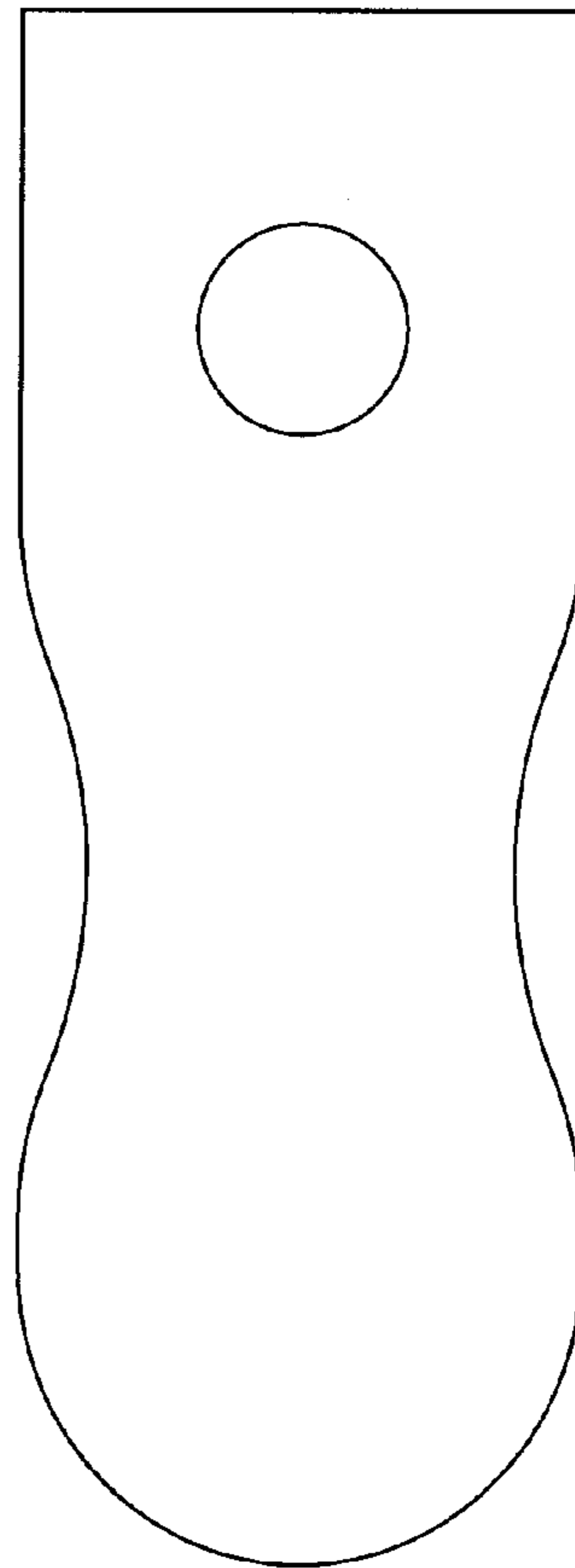


FIG. 6

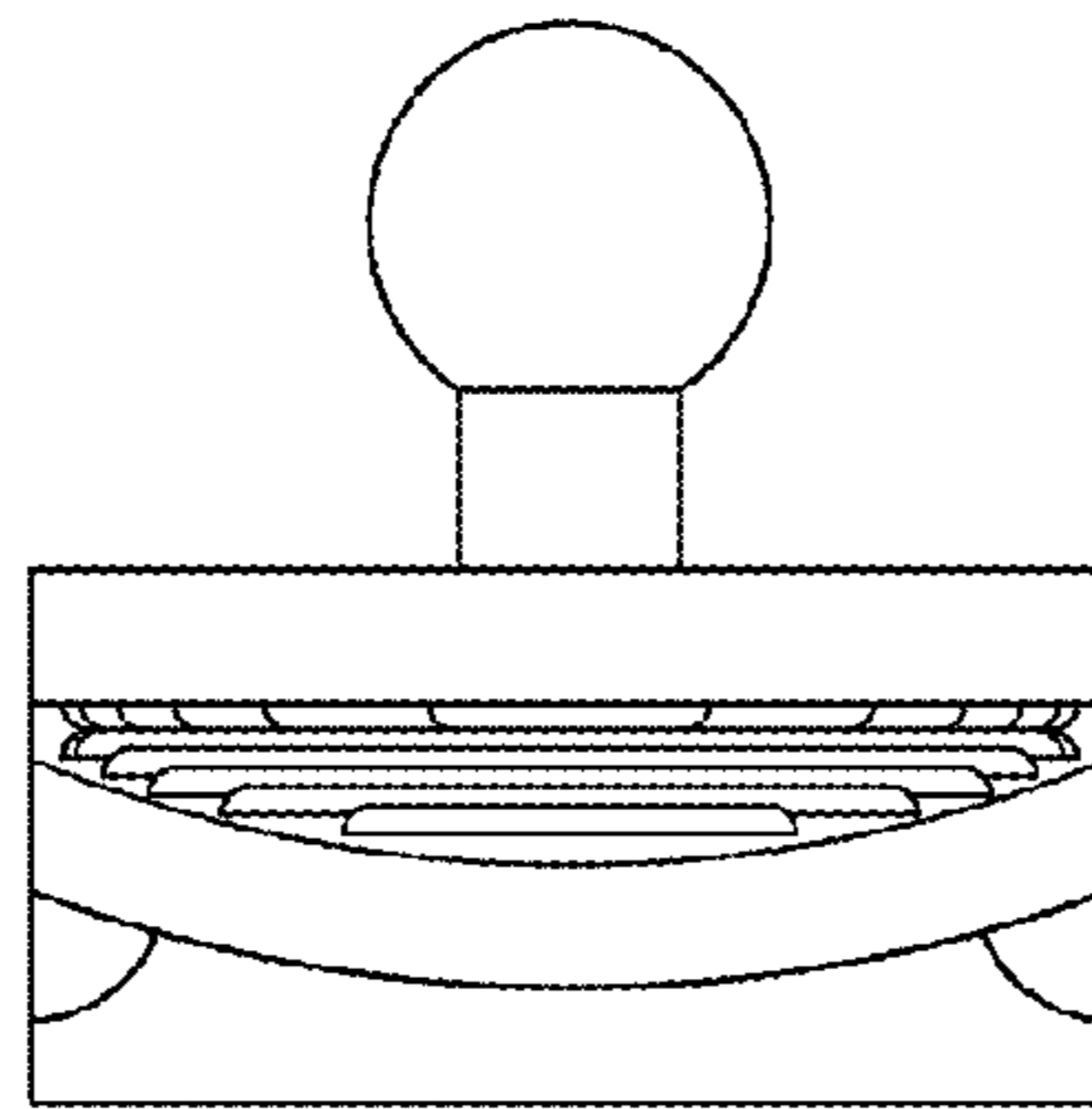


FIG. 7

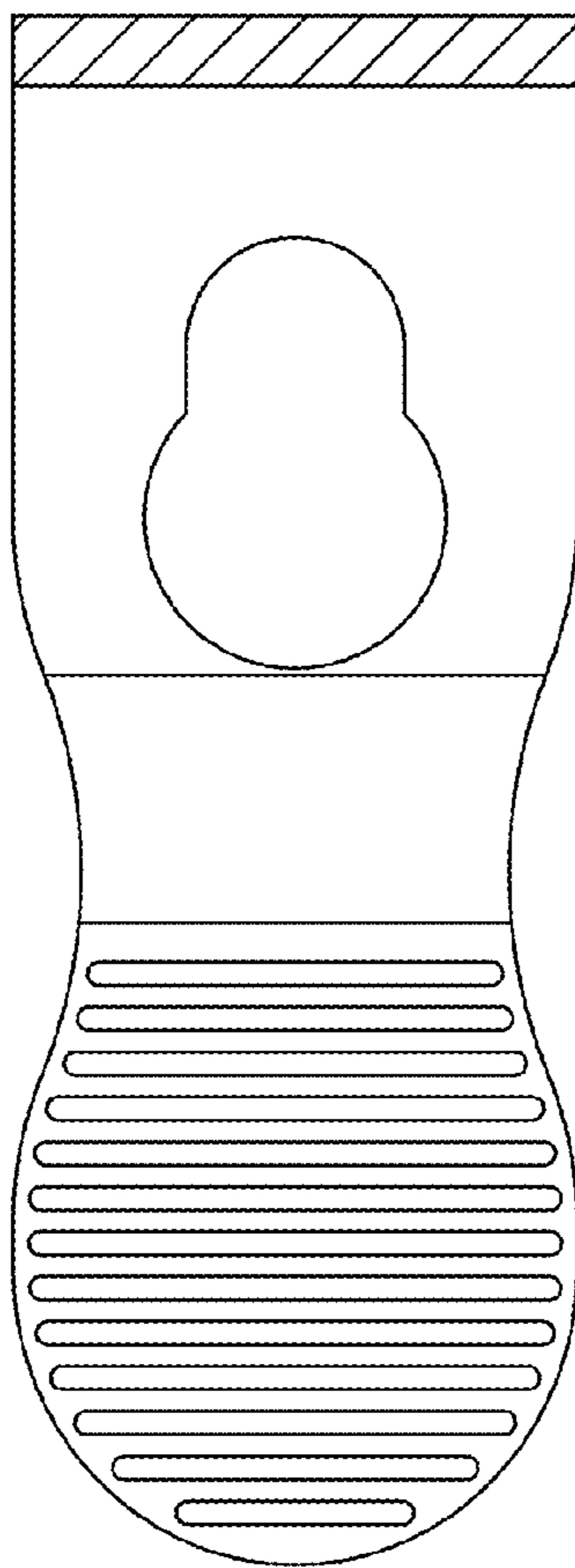


FIG. 8

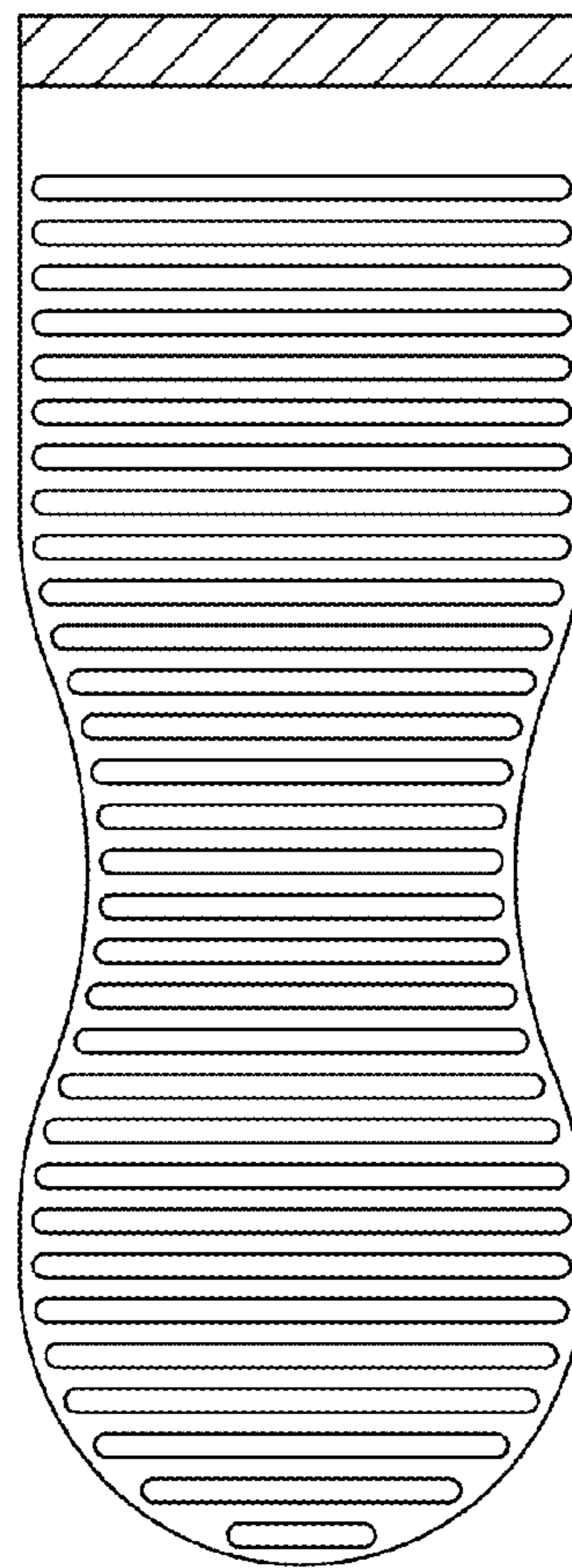


FIG. 9