



US00D738186S

(12) **United States Design Patent**
Nadgouda

(10) **Patent No.:** **US D738,186 S**

(45) **Date of Patent:** **** Sep. 8, 2015**

(54) **SWORDFISH ELECTRONIC LOCK
EXTERIOR ESCUTCHEON**

(71) Applicant: **Schlage Lock Company LLC,**
Indianapolis, IN (US)

(72) Inventor: **Chandrashekhar Subhash Nadgouda,**
Bangalore Karnataka (IN)

(73) Assignee: **Schlage Lock Company LLC,**
Indianapolis, IN (US)

(**) Term: **14 Years**

(21) Appl. No.: **29/492,703**

(22) Filed: **Jun. 2, 2014**

(51) **LOC (10) Cl.** **08-07**

(52) **U.S. Cl.**
USPC **D8/331; D8/350**

(58) **Field of Classification Search**
USPC D8/330, 331, 334, 300, 301, 350;
70/14, 20-22, 57, 57.1, 284-286, 314,
70/DIG. 44, 266, 277, 271
CPC E05B 9/00; E05B 9/02; E05B 2009/006;
E05B 49/00
See application file for complete search history.

(56) **References Cited**

U.S. PATENT DOCUMENTS

3,041,720 A * 7/1962 Pantas 72/341
5,433,333 A * 7/1995 Martell 220/243
D365,976 S * 1/1996 Chiu D8/330

5,564,294 A * 10/1996 Chen 70/1
D453,899 S * 2/2002 LaPlume et al. D8/352
D494,841 S * 8/2004 Moon et al. D8/352
D513,469 S * 1/2006 Gao et al. D8/350
7,091,429 B2 * 8/2006 Case et al. 200/5 A
7,984,631 B2 * 7/2011 Case et al. 70/278.1
D696,569 S * 12/2013 Luo D8/331

* cited by examiner

Primary Examiner — Prabhakar Deshmukh

(74) *Attorney, Agent, or Firm* — Taft Stettinius & Hollister
LLP

(57) **CLAIM**

The ornamental design for a swordfish electronic lock exterior escutcheon, as shown and described.

DESCRIPTION

FIG. 1 is an lower-left front perspective view of the swordfish electronic lock exterior escutcheon.

FIG. 2 is a front view of the swordfish electronic lock exterior escutcheon.

FIG. 3 is a right side view of the swordfish electronic lock exterior escutcheon.

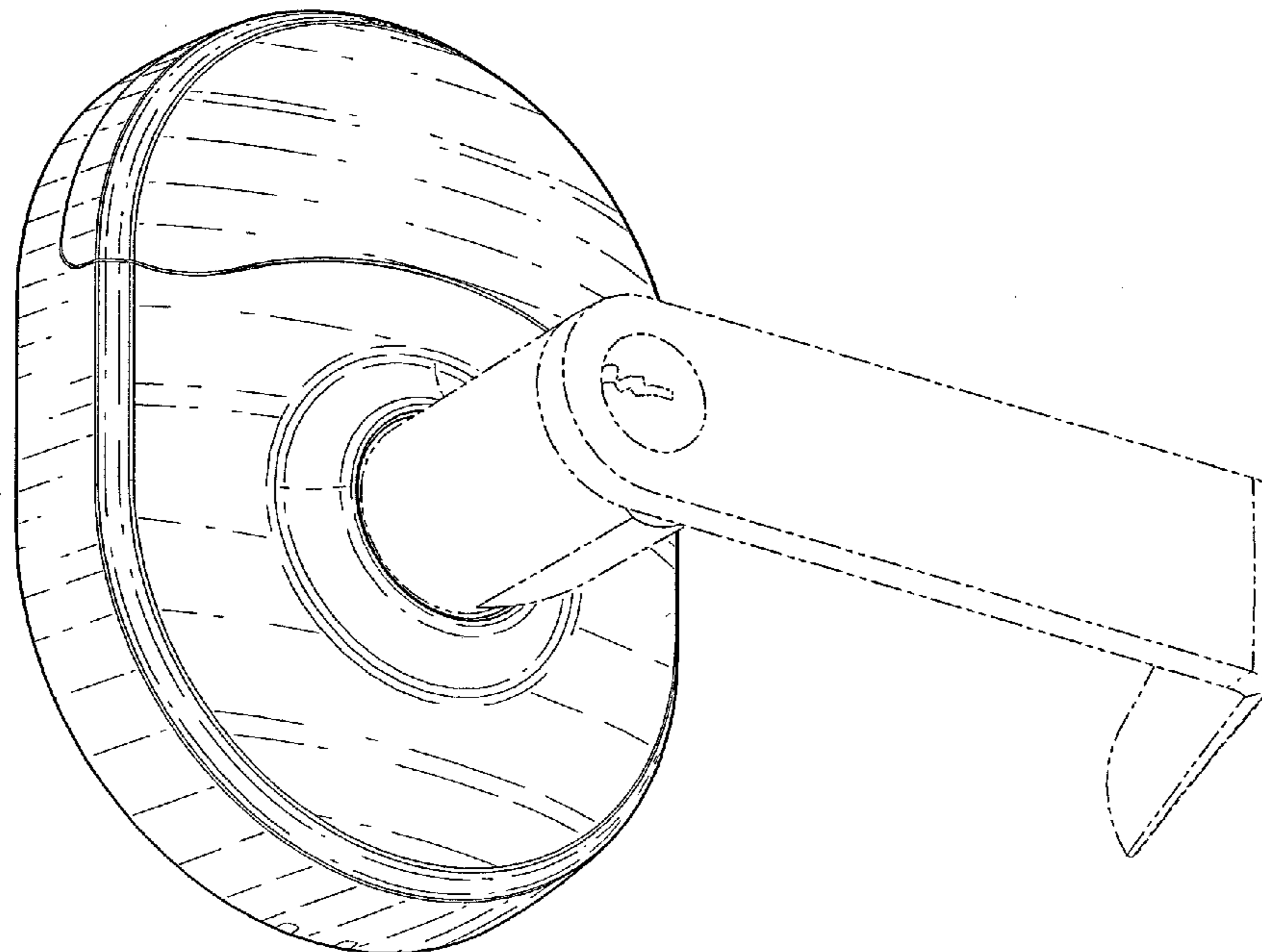
FIG. 4 is a left side view of the swordfish electronic lock exterior escutcheon.

FIG. 5 is a top view of the swordfish electronic lock exterior escutcheon; and,

FIG. 6 is a bottom view of the swordfish electronic lock exterior escutcheon.

The broken lines are for the purpose of showing exemplary hardware associated with the swordfish electronic lock exterior escutcheon, and they form no part of the claimed design.

1 Claim, 4 Drawing Sheets



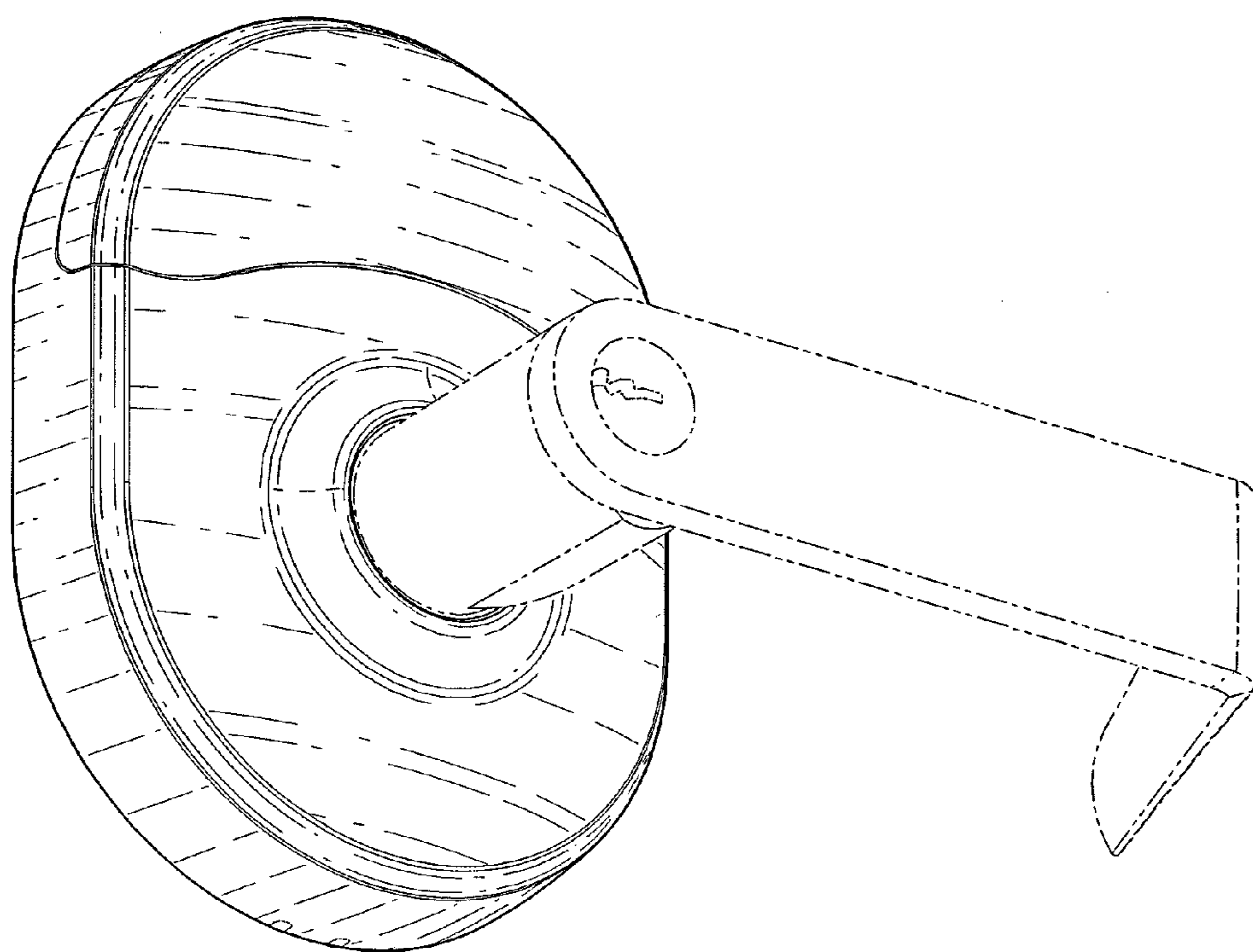


Fig. 1

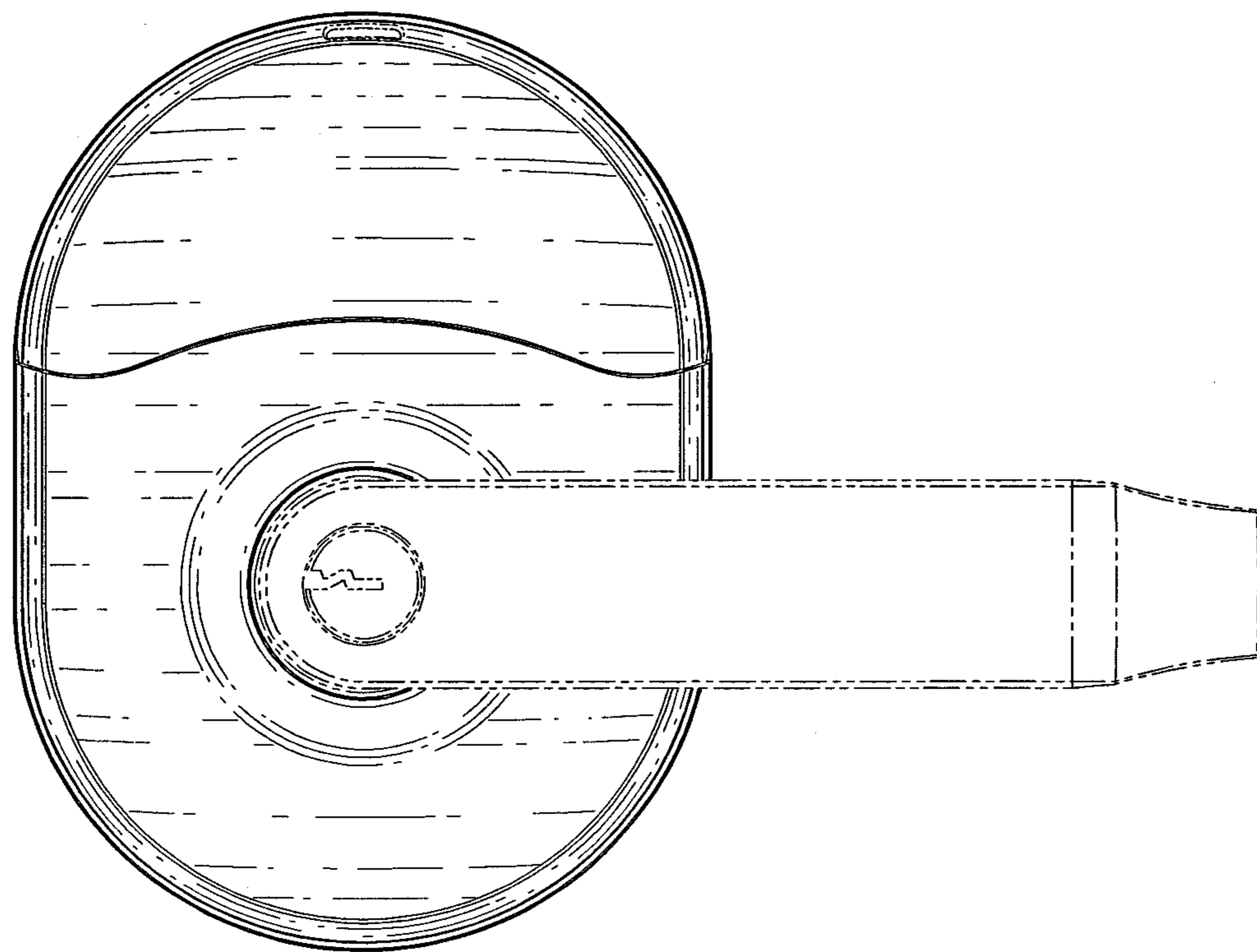


Fig. 2

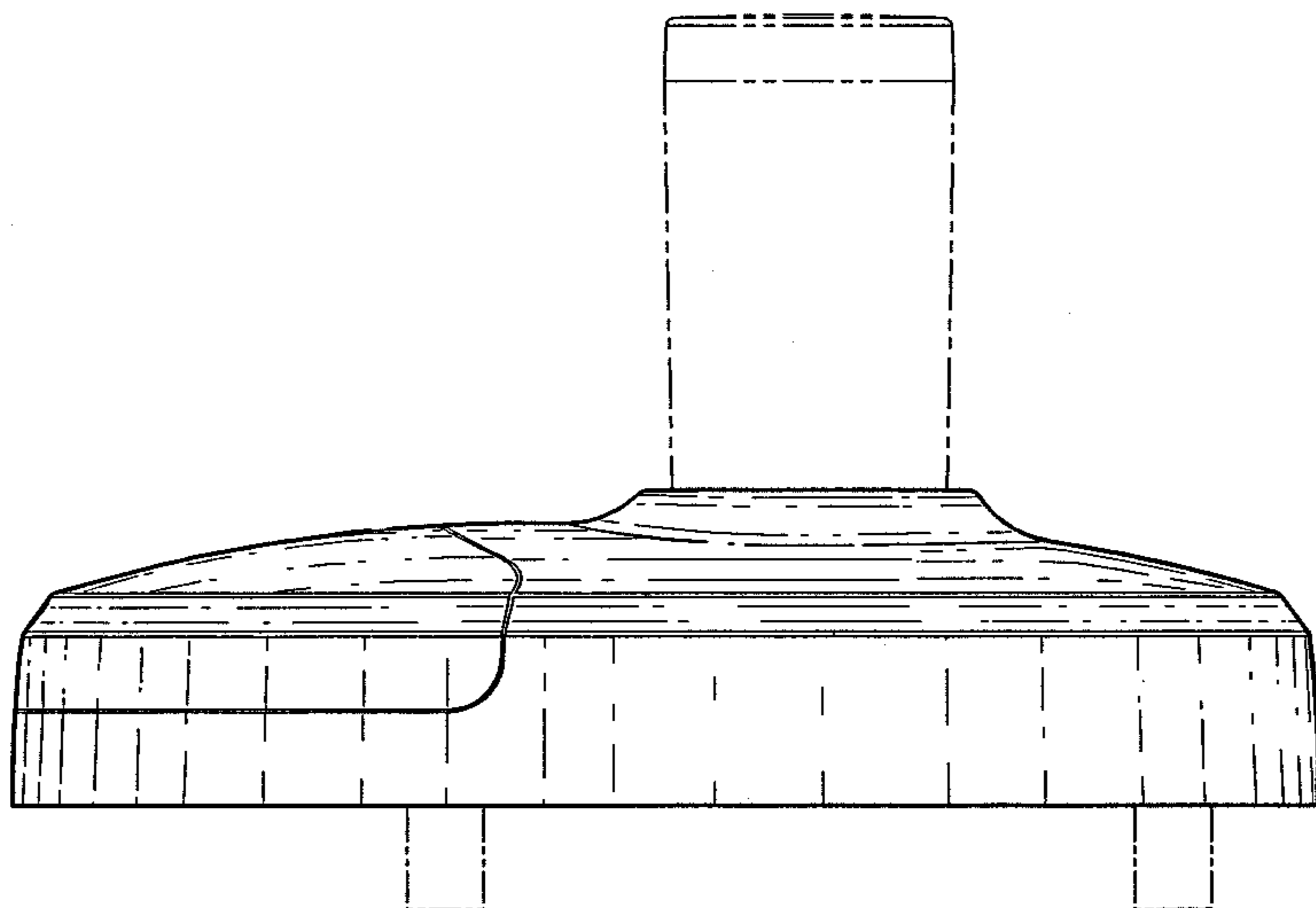


Fig. 4

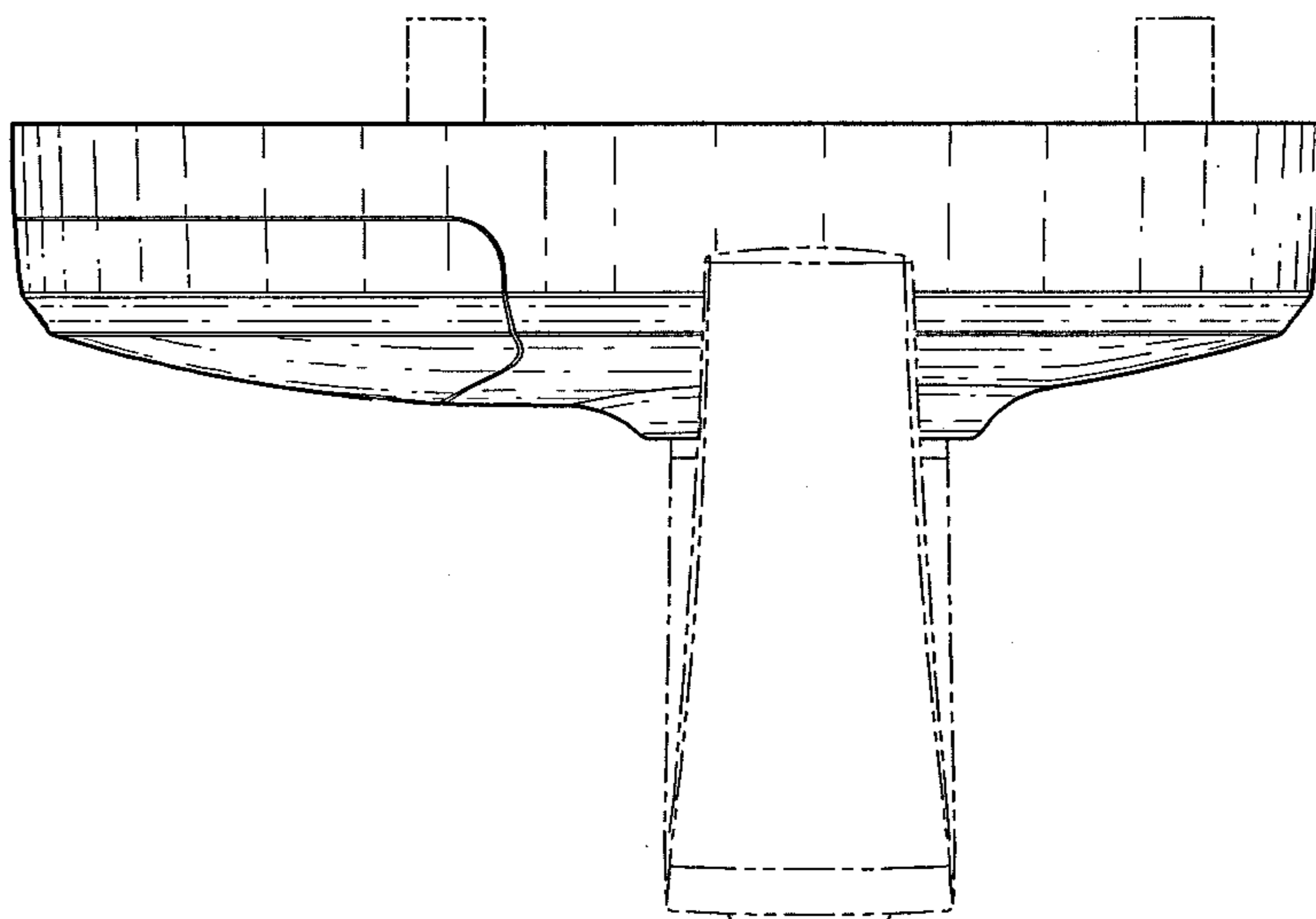


Fig. 3

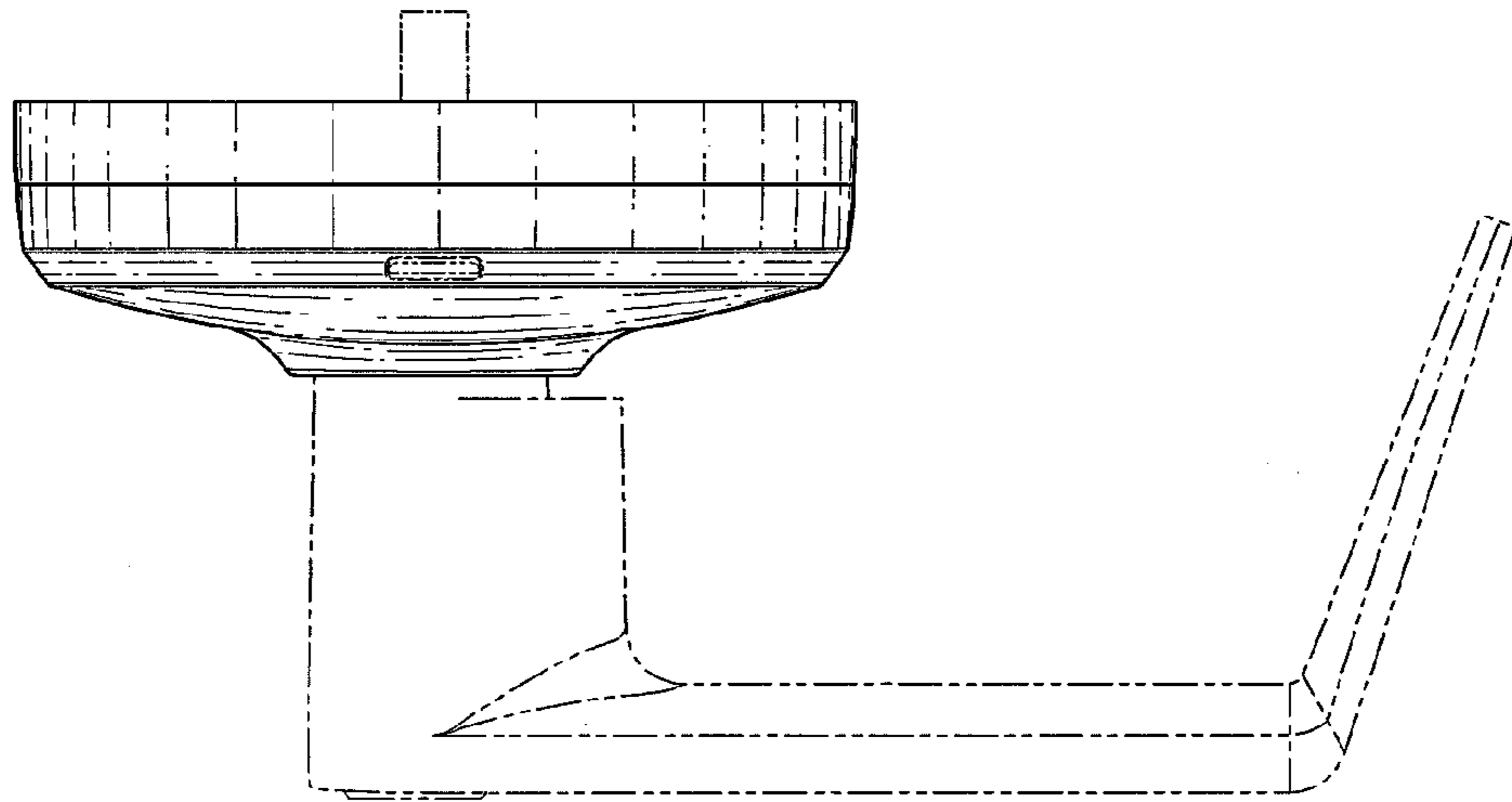


Fig. 5

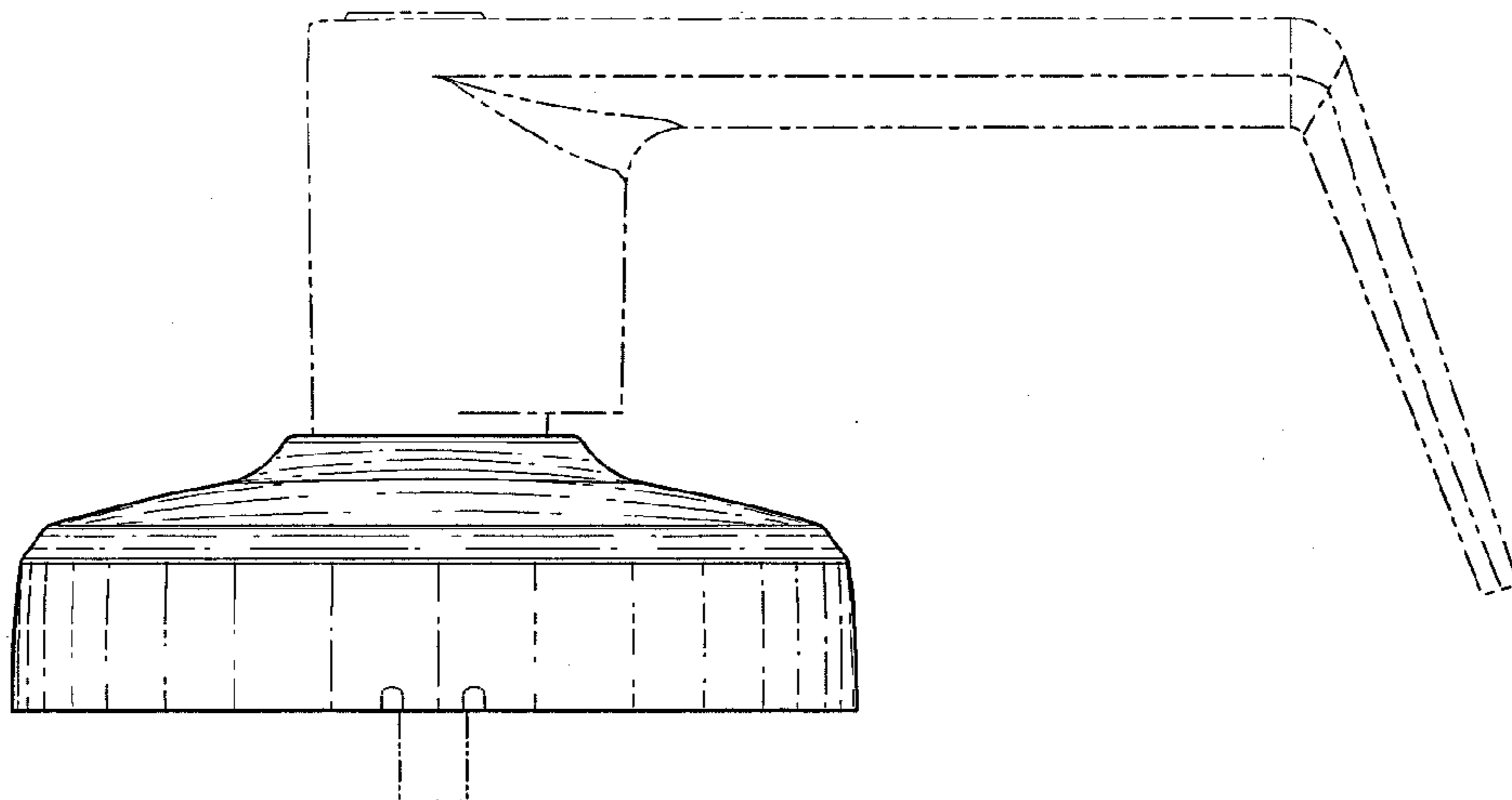


Fig. 6