



US00D738185S

(12) **United States Design Patent**  
**Takamatsu et al.**

(10) **Patent No.:** **US D738,185 S**  
(45) **Date of Patent:** **\*\* Sep. 8, 2015**

(54) **PEDESTAL FOR ATTACHING FURNITURE HINGE**

(71) Applicant: **SUGATSUNE KOGYO CO., LTD.**,  
Chiyoda-ku, Tokyo (JP)

(72) Inventors: **Shingo Takamatsu**, Chiyoda-ku (JP);  
**Hideki Ogasawara**, Chiyoda-ku (JP)

(73) Assignee: **SUGATSUNE KOGYO CO., LTD.**,  
Chiyoda-Ku (JP)

(\*\*) Term: **14 Years**

(21) Appl. No.: **29/504,694**

(22) Filed: **Oct. 8, 2014**

(30) **Foreign Application Priority Data**

Apr. 9, 2014 (JP) ..... 2014-007737

(51) **LOC (10) Cl.** ..... **08-06**

(52) **U.S. Cl.**  
USPC ..... **D8/323**

(58) **Field of Classification Search**  
USPC ..... D8/323, 328, 324, 330, 325, 327, 331,  
D8/336, 353, 338, 329, 355, 356;  
D16/334; 4/236, 240; 16/309, 235,  
16/275, 244, 379, 390, 430, 241, 238, 225,  
16/250; 49/381; D23/302, 303; 248/682;  
D10/69; 33/347, 365-390  
See application file for complete search history.

(56) **References Cited**

**U.S. PATENT DOCUMENTS**

D309,704 S \* 8/1990 Grass ..... D8/323  
D396,626 S \* 8/1998 Francom ..... D8/323

(Continued)

**FOREIGN PATENT DOCUMENTS**

WO 2013175983 11/2013

**OTHER PUBLICATIONS**

Notice of Reasons for Refusal, JP Patent Application No. 2014-007737, Issue Date Aug. 26, 2014. Issued by JPO Examiner, Keiko Shimomura.

*Primary Examiner* — Cynthia Underwood  
(74) *Attorney, Agent, or Firm* — Masuvalley & Partners

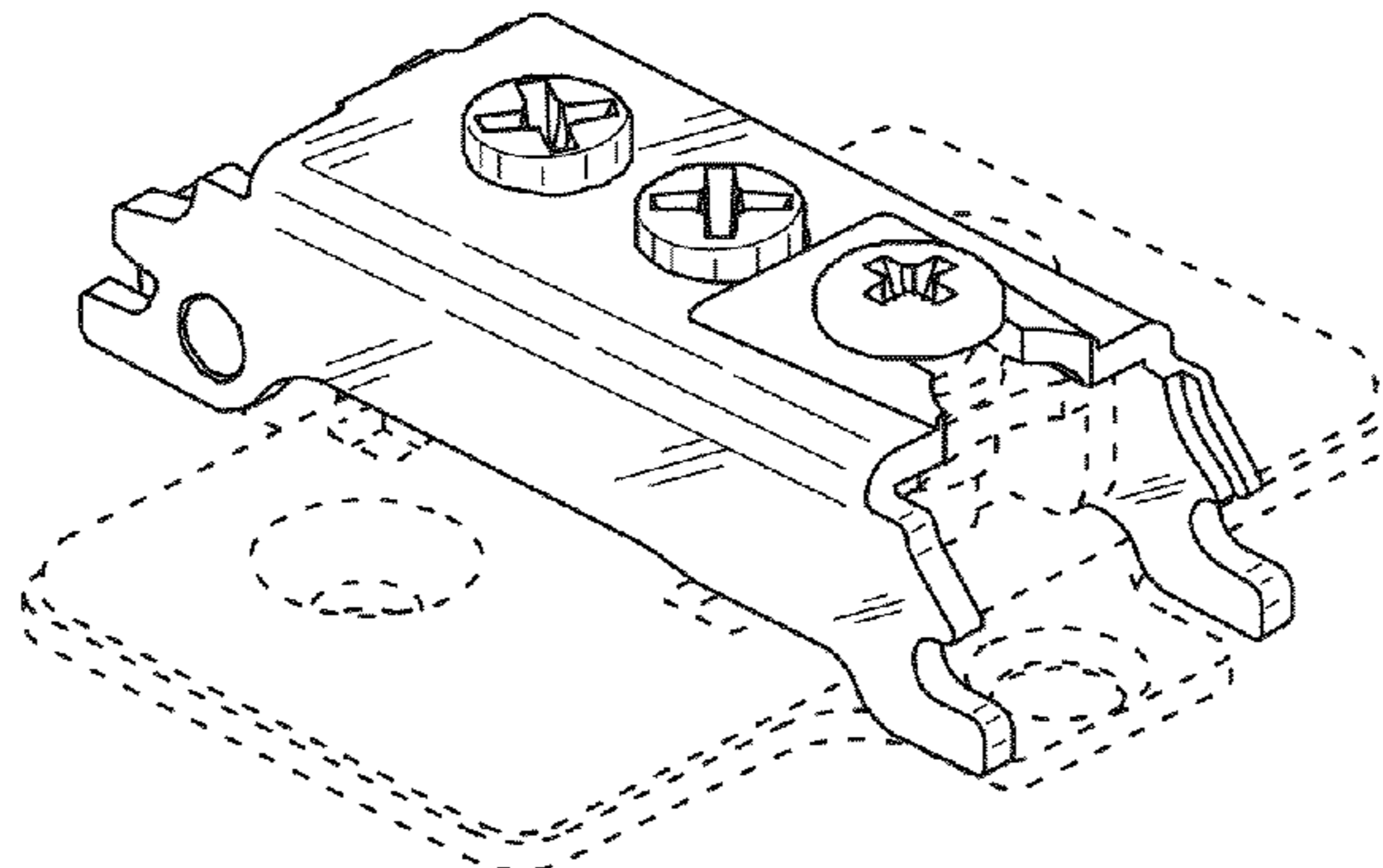
(57) **CLAIM**  
The ornamental design for a pedestal for attaching furniture hinge, as shown and described.

**DESCRIPTION**

FIG. 1 is a perspective view of the pedestal for attaching furniture hinge according to the invention;  
FIG. 2 is a front elevation view of the pedestal for attaching furniture hinge of FIG. 1;  
FIG. 3 is a rear elevation view of the pedestal for attaching furniture hinge of FIG. 1;  
FIG. 4 is a top plan view of the pedestal for attaching furniture hinge of FIG. 1;  
FIG. 5 is a bottom plan view of the pedestal for attaching furniture hinge of FIG. 1;  
FIG. 6 is a right side elevation view of the pedestal for attaching furniture hinge of FIG. 1;  
FIG. 7 is a left side elevation view of the pedestal for attaching furniture hinge of FIG. 1;  
FIG. 8 is a cross-sectional view of the pedestal for attaching furniture hinge through line 8-8 shown in FIG. 2;  
FIG. 9 is a cross-sectional view of the pedestal for attaching furniture hinge through line 9-9 shown in FIG. 2;  
FIG. 10 is a cross-sectional view of the pedestal for attaching furniture hinge through line 10-10 shown in FIG. 2;  
FIG. 11 is a cross-sectional view of the pedestal for attaching furniture hinge through line 11-11 shown in FIG. 2; and,  
FIG. 12 is another perspective view of the pedestal for attaching furniture hinge of FIG. 1, on which a furniture hinge is attached.

The broken lines are included for the purpose of illustrating environment and form no part of the claim.

**1 Claim, 12 Drawing Sheets**



(56)

**References Cited**

U.S. PATENT DOCUMENTS

5,964,010 A \* 10/1999 Huber ..... 16/237  
D451,000 S \* 11/2001 Karl ..... D8/323  
D548,044 S \* 8/2007 Tang ..... D8/343  
D611,801 S \* 3/2010 Chustak ..... D8/355

D633,773 S \* 3/2011 Yamanaka ..... D8/323  
D642,701 S \* 8/2011 Howard ..... D25/15  
D643,131 S \* 8/2011 Howard ..... D25/15  
D676,306 S \* 2/2013 Oshima ..... D8/323  
D700,036 S \* 2/2014 Oshima ..... D8/323  
D719,809 S \* 12/2014 Mitchell et al. .... D8/323  
2007/0284852 A1 \* 12/2007 Mater et al. .... 280/507

\* cited by examiner

FIG. 1

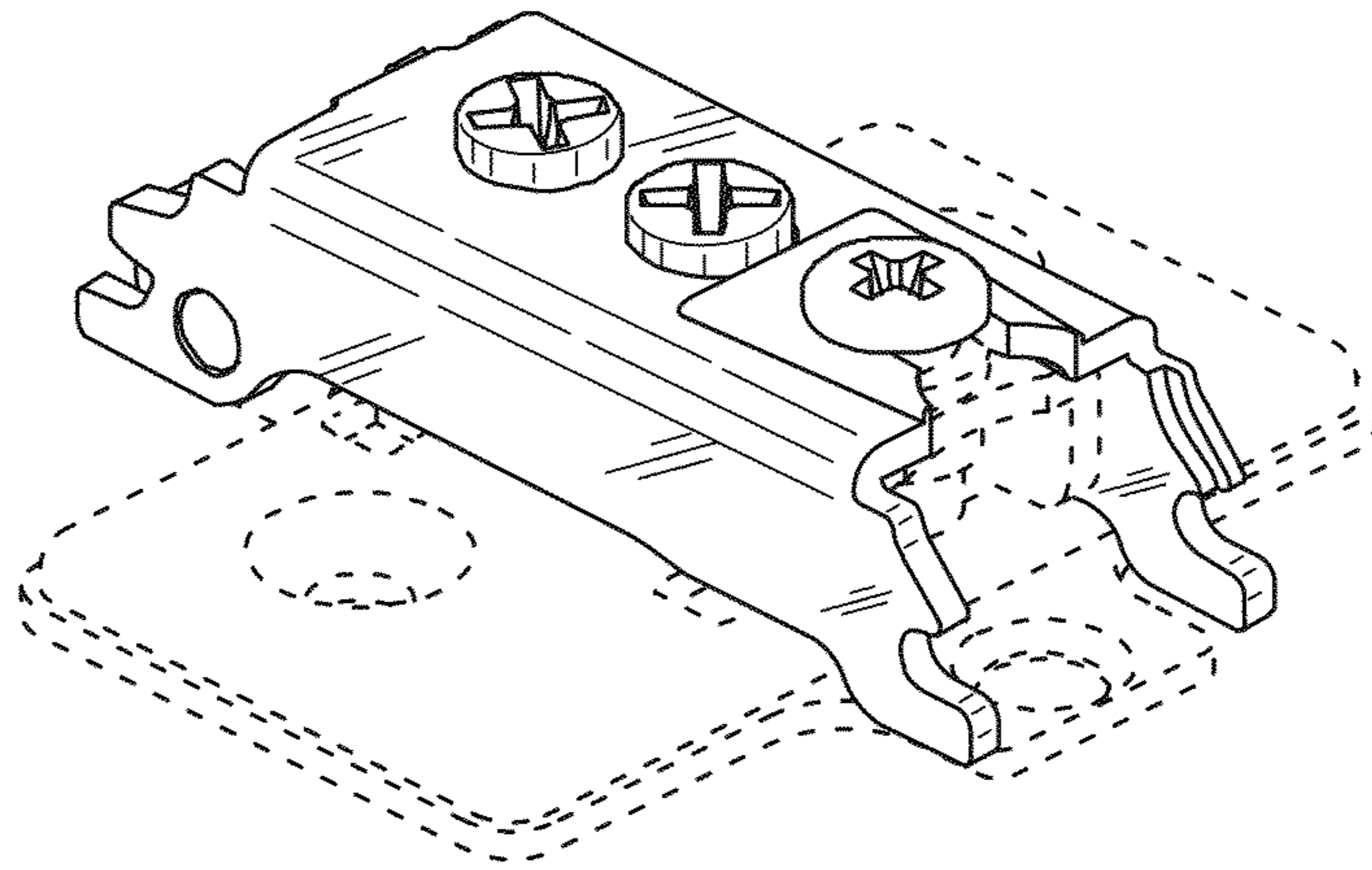


FIG. 2

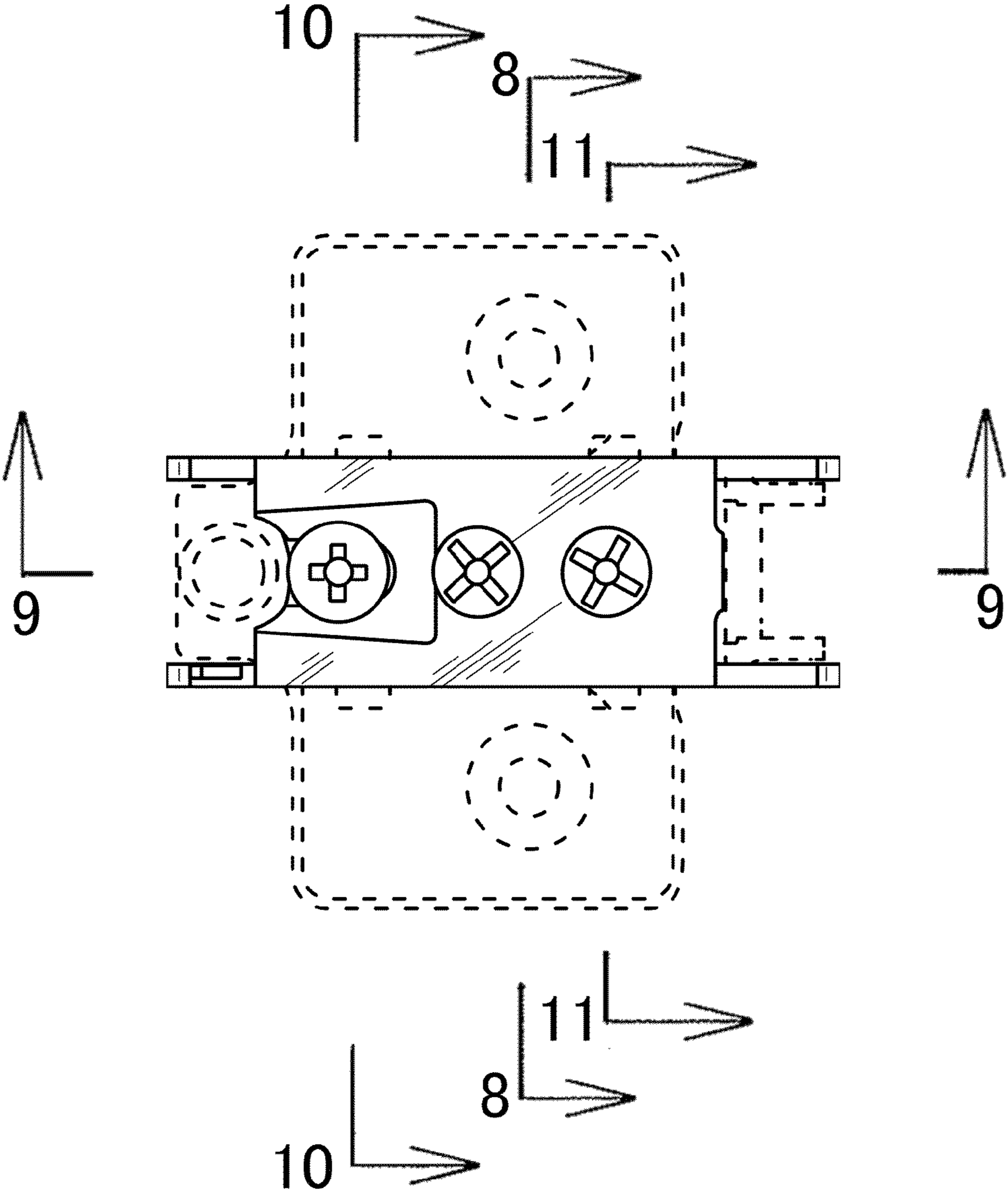


FIG. 3

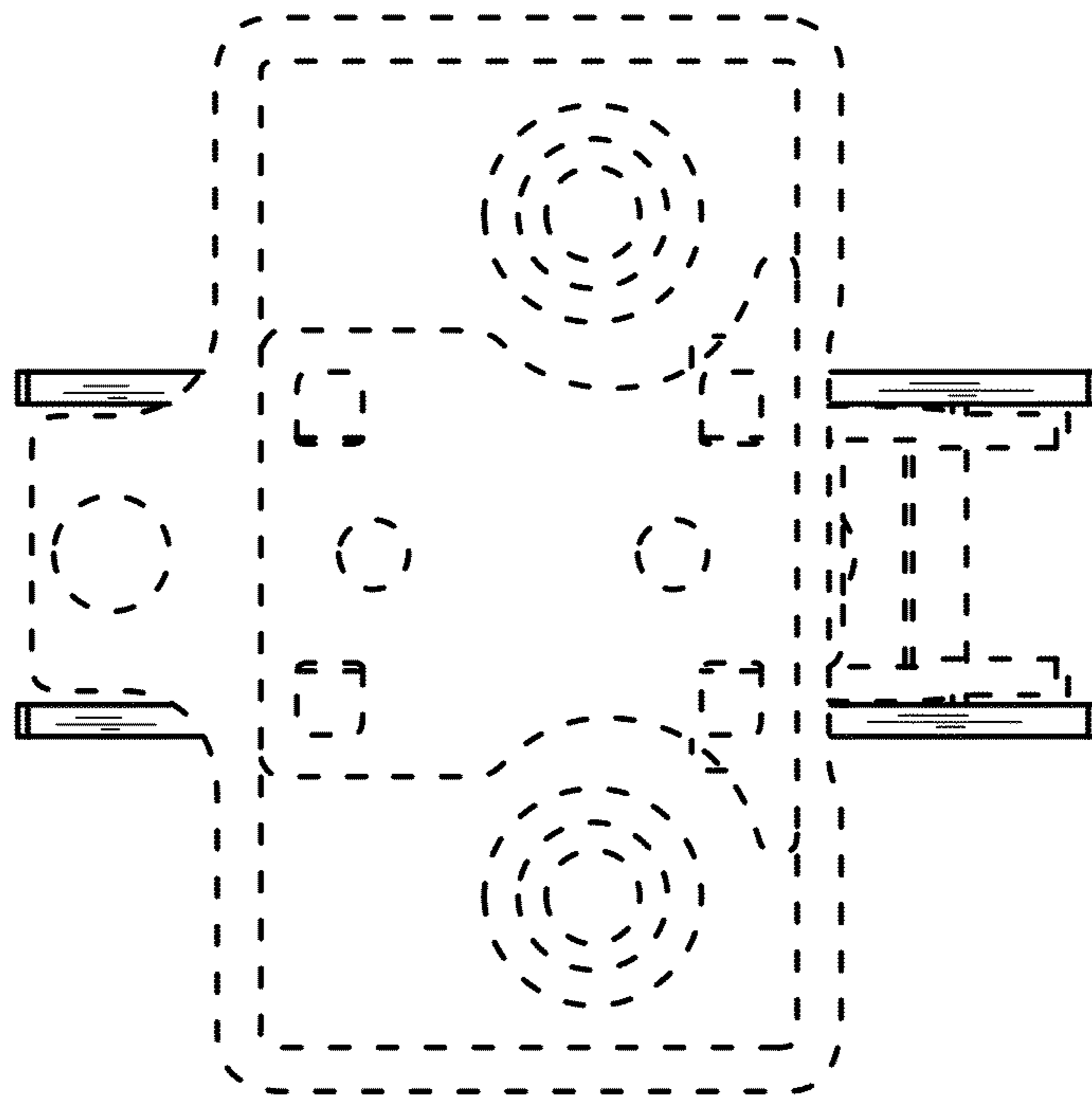


FIG. 4

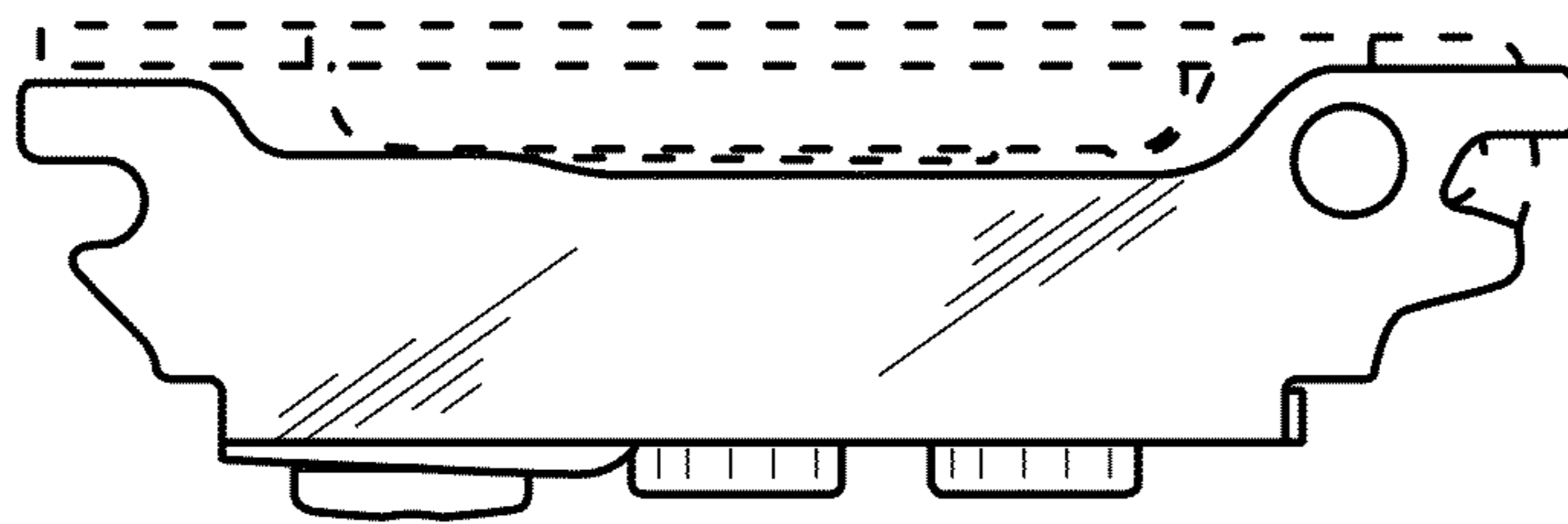


FIG. 5

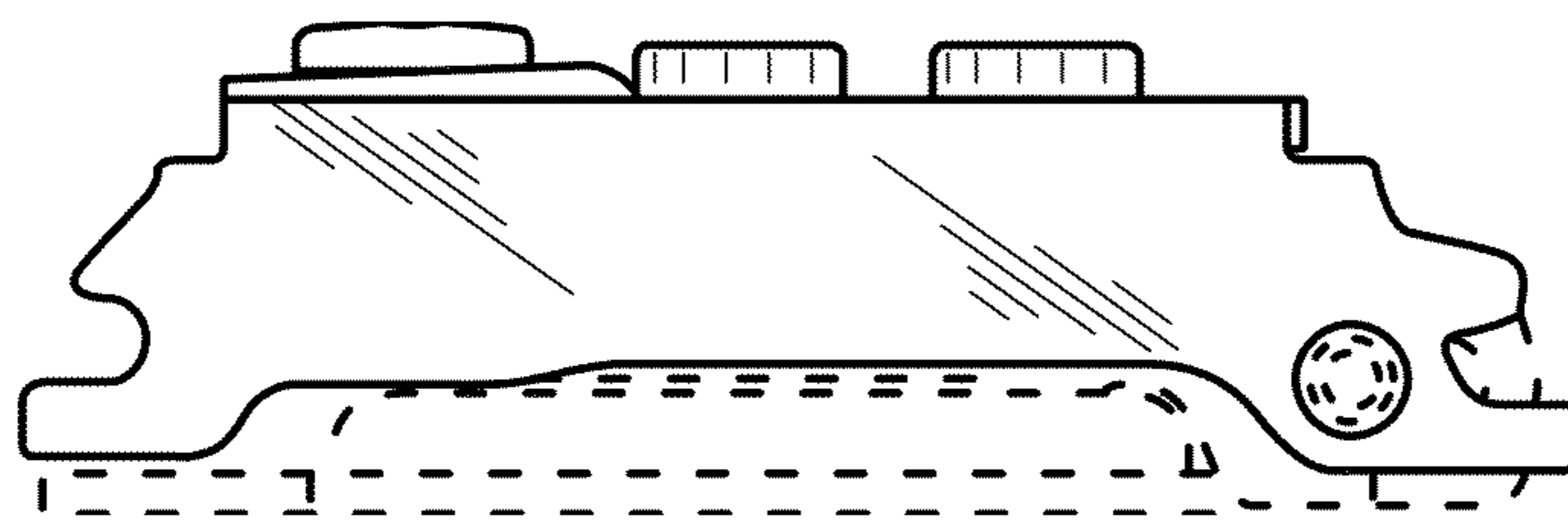


FIG. 6

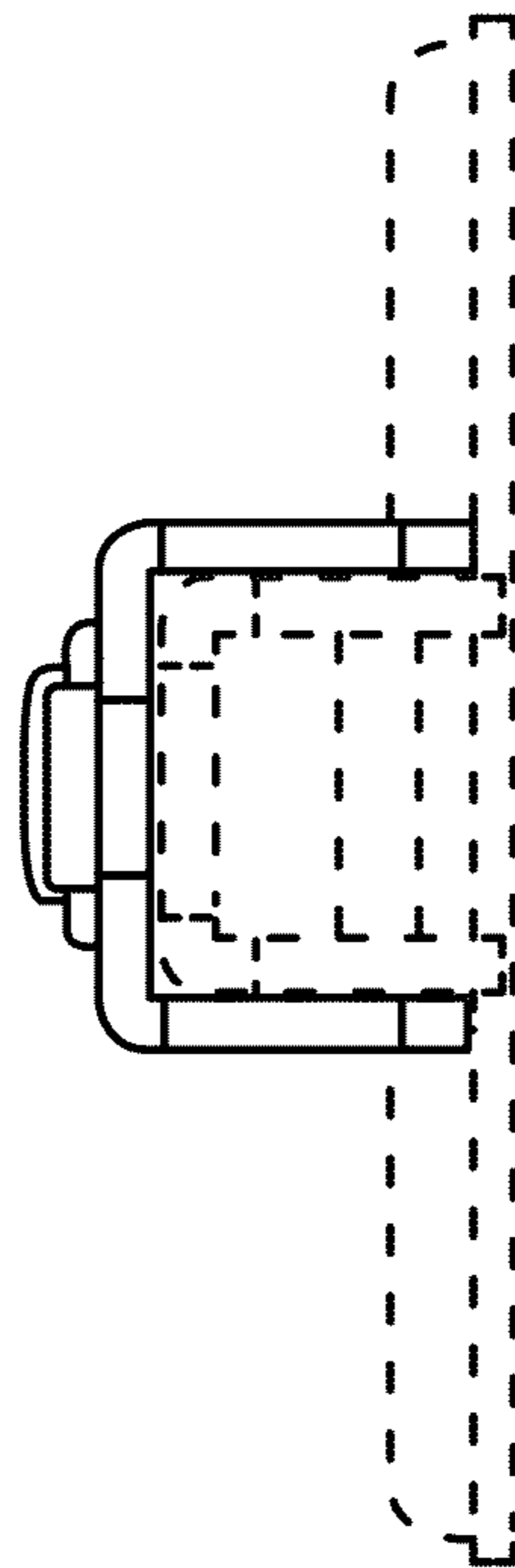




FIG. 7

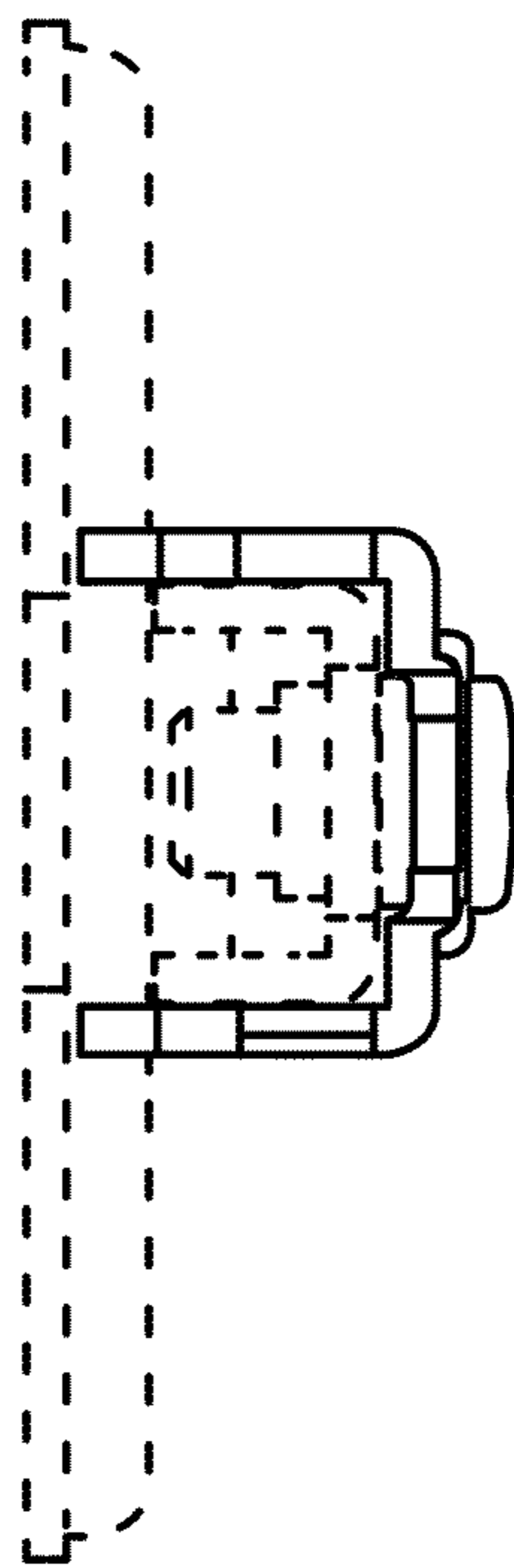


FIG. 8

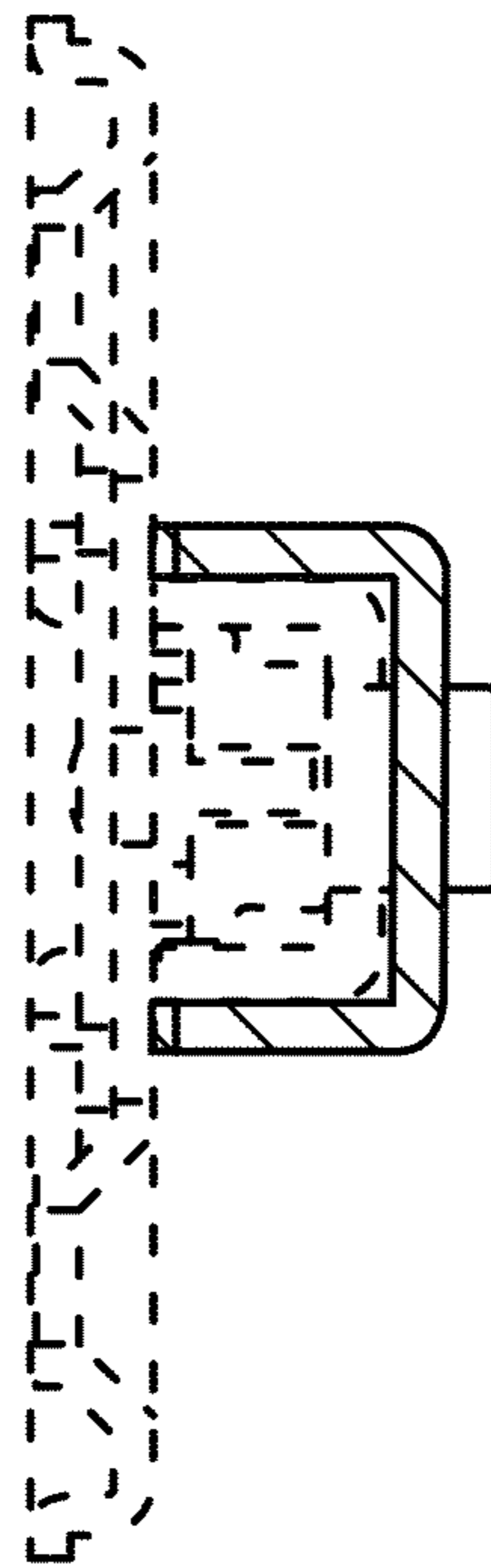


FIG. 9

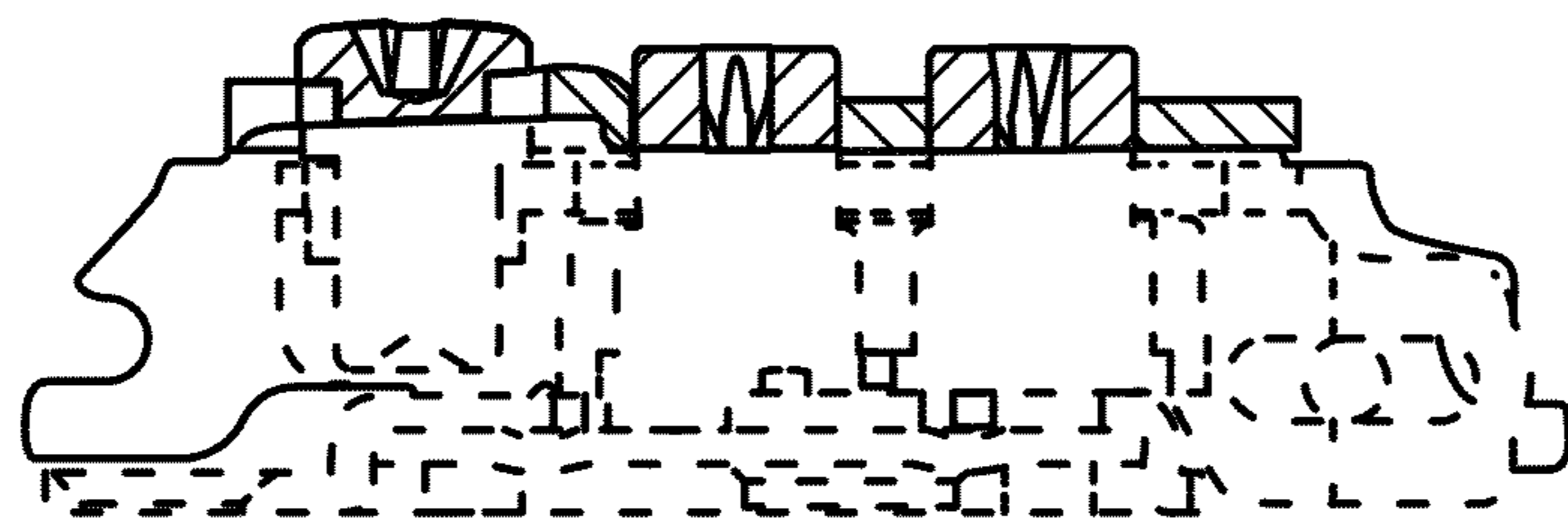


FIG. 10

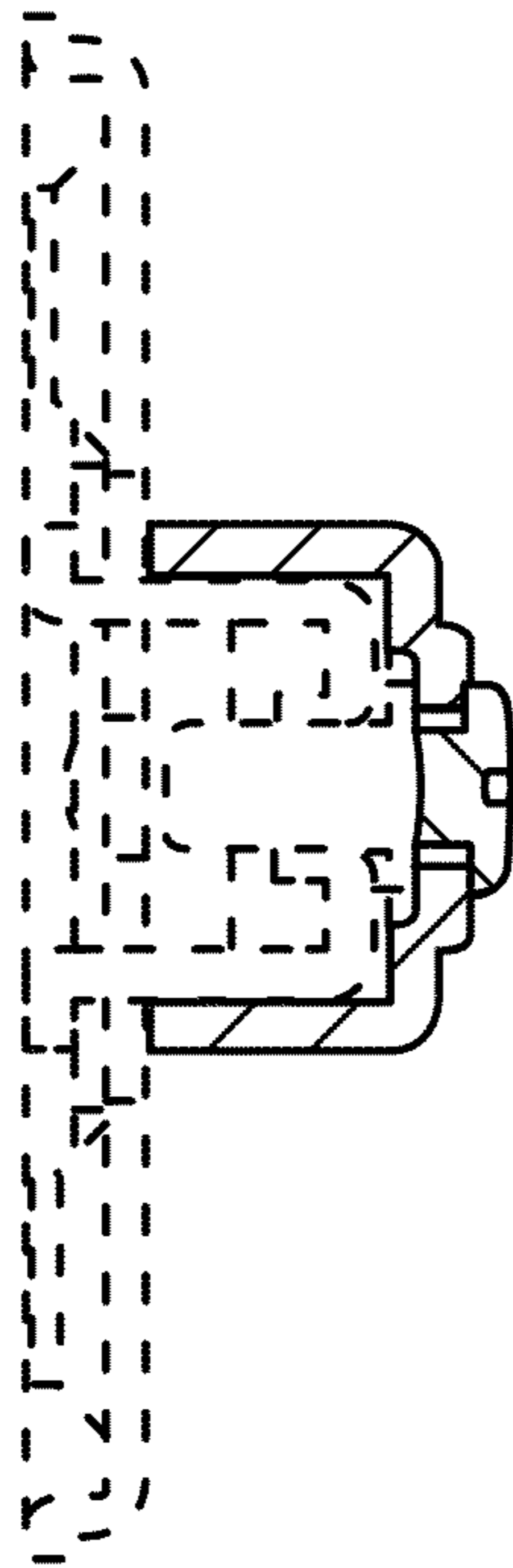


FIG. 11

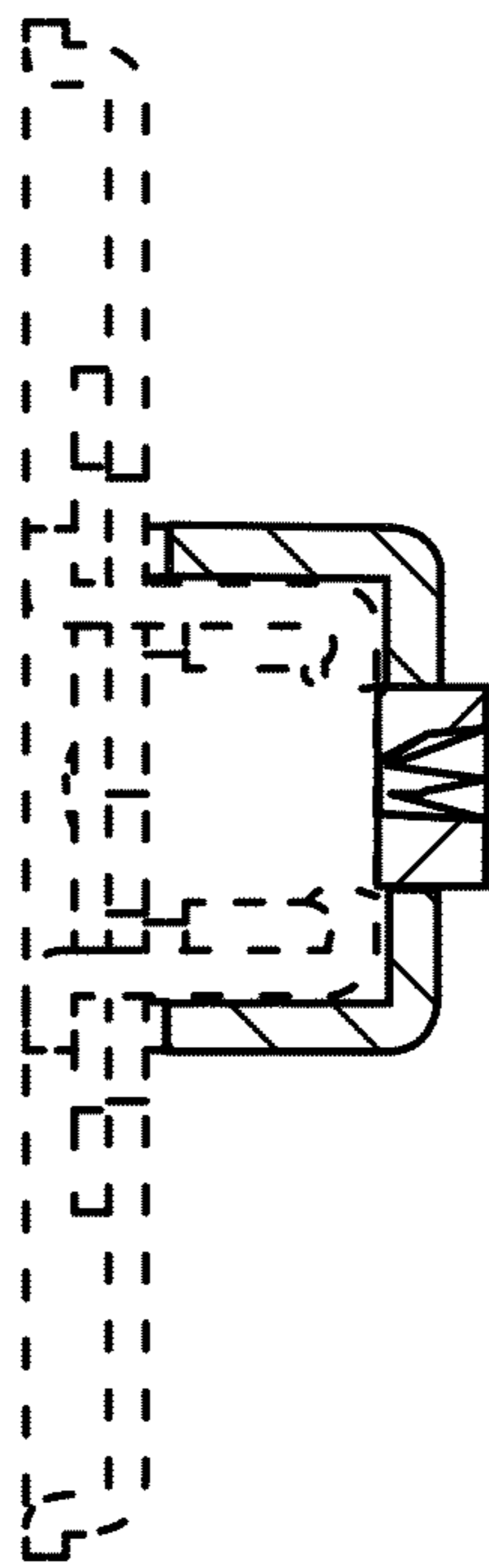


FIG. 12

