



US00D738183S

(12) **United States Design Patent**
Burson

(10) **Patent No.:** **US D738,183 S**
(45) **Date of Patent:** **** Sep. 8, 2015**

(54) **MULTI-PURPOSE MANUALLY OPERATED TOOL**

2011/0119836 A1* 5/2011 Tygh 7/166
2012/0272459 A1* 11/2012 Trice 7/144
2013/0112045 A1* 5/2013 Piveronas 81/26

(71) Applicant: **Bradley Burson**, Florence, TX (US)

* cited by examiner

(72) Inventor: **Bradley Burson**, Florence, TX (US)

Primary Examiner — Susan Bennett Hattan

Assistant Examiner — Leanne Was

(**) Term: **14 Years**

(74) *Attorney, Agent, or Firm* — Albert O. Cota

(21) Appl. No.: **29/478,476**

(57) **CLAIM**

The ornamental design for a multi-purpose, manually operated tool, as shown and described.

(22) Filed: **Jan. 6, 2014**

DESCRIPTION

(51) **LOC (10) Cl.** **08-05**

(52) **U.S. Cl.**
USPC **D8/105**

(58) **Field of Classification Search**
USPC D8/14, 47, 75-77, 80, 81, 88, 89, 105,
D8/107

See application file for complete search history.

FIG. 1 is an orthographic view of a multi-purpose manually operated tool showing my new design.

FIG. 2 is an enlarged view thereof, identical in all respects except that broken away lines depict a portion of the tool that forms no part of the claimed design.

FIG. 3 is an enlarged view thereof, identical in all respects except that broken away lines depict a portion of the tool that forms no part of the claimed design.

FIG. 4 is an enlarged view thereof, identical in all respects except that broken away lines depict a portion of the tool that forms no part of the claimed design.

FIG. 5 is a bottom plan view thereof; and,

FIG. 6 is a top plan view thereof.

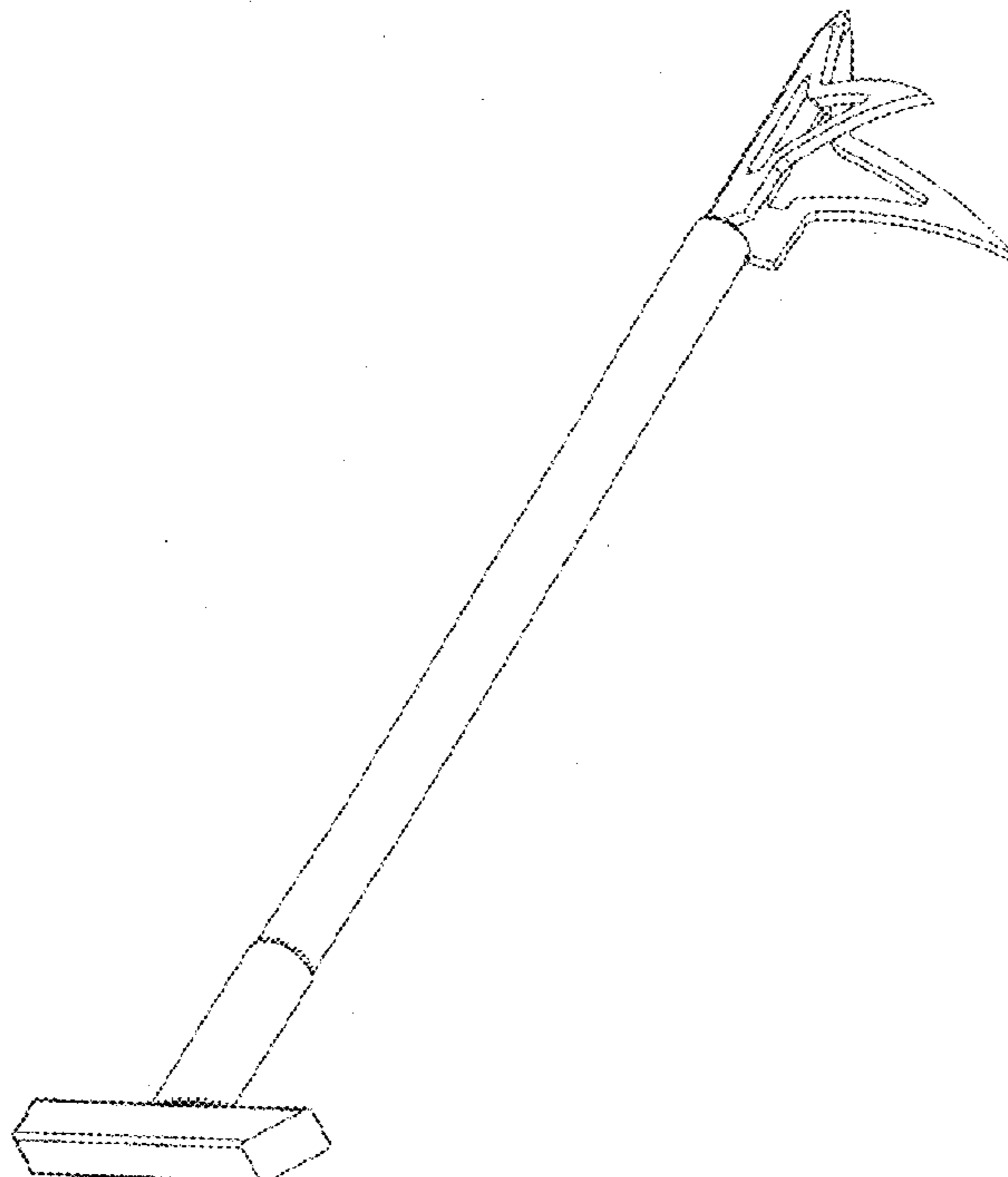
The broken away portion in FIGS. 2, 3 and 4 indicate portion of the multi-purpose manually operated tool that form no part of the claimed design.

(56) **References Cited**

U.S. PATENT DOCUMENTS

3,710,407	A *	1/1973	Reid	7/144
5,315,724	A *	5/1994	Trujillo et al.	7/145
D617,624	S *	6/2010	Tygh	D8/105
D628,035	S *	11/2010	Paige	D8/14
8,127,387	B2 *	3/2012	Tygh	7/166
8,458,838	B2 *	6/2013	Trice	7/144
D688,926	S *	9/2013	Ortiz	D8/47
D695,088	S *	12/2013	Trice	D8/81
2007/0283503	A1 *	12/2007	Ryan	7/166

1 Claim, 3 Drawing Sheets



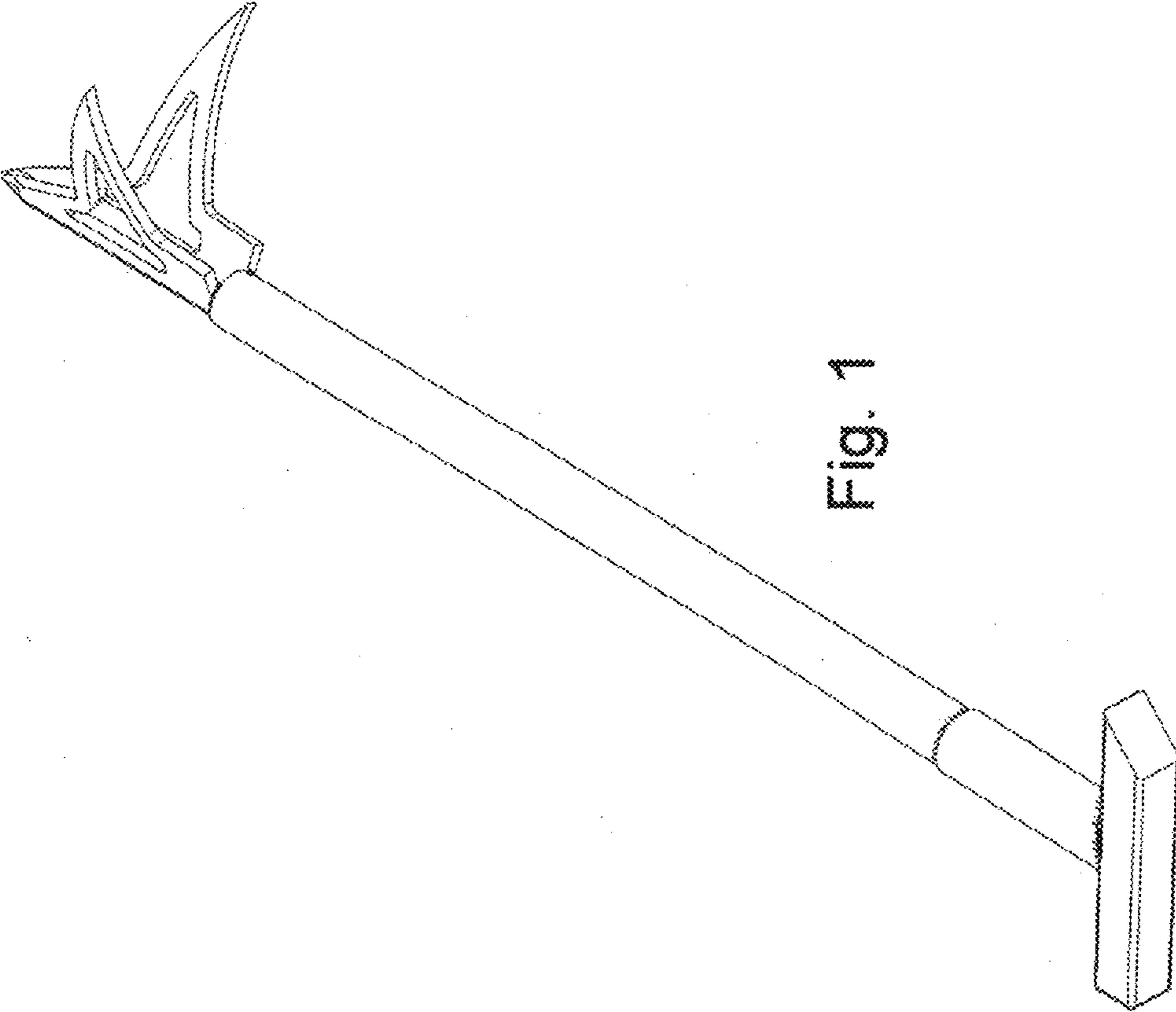


Fig. 1

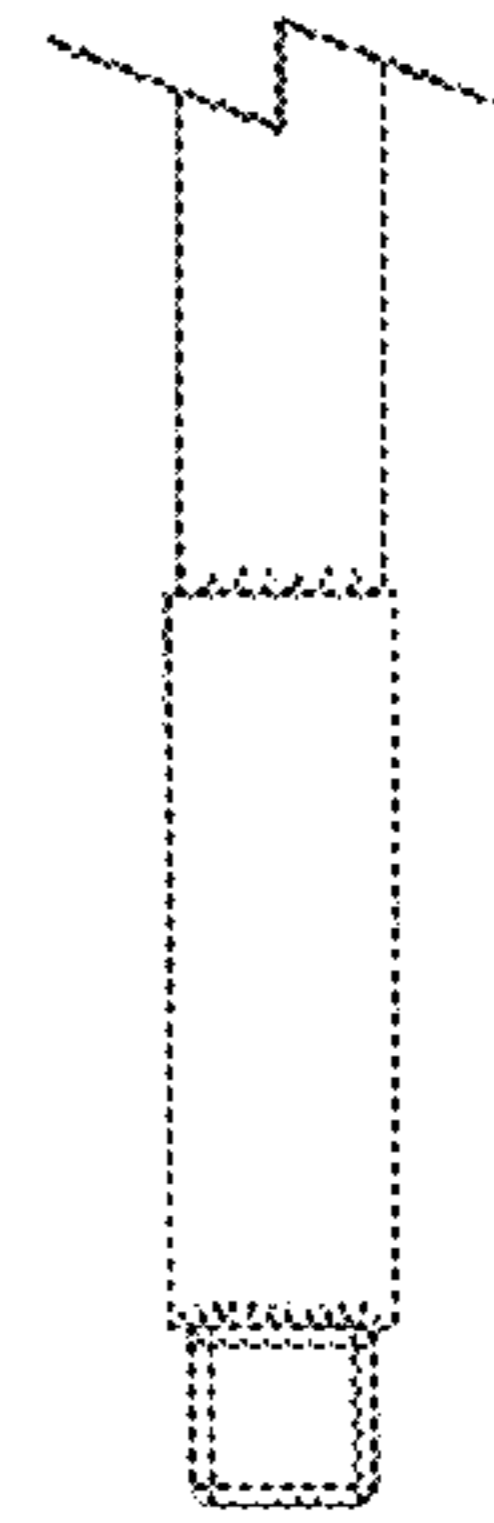
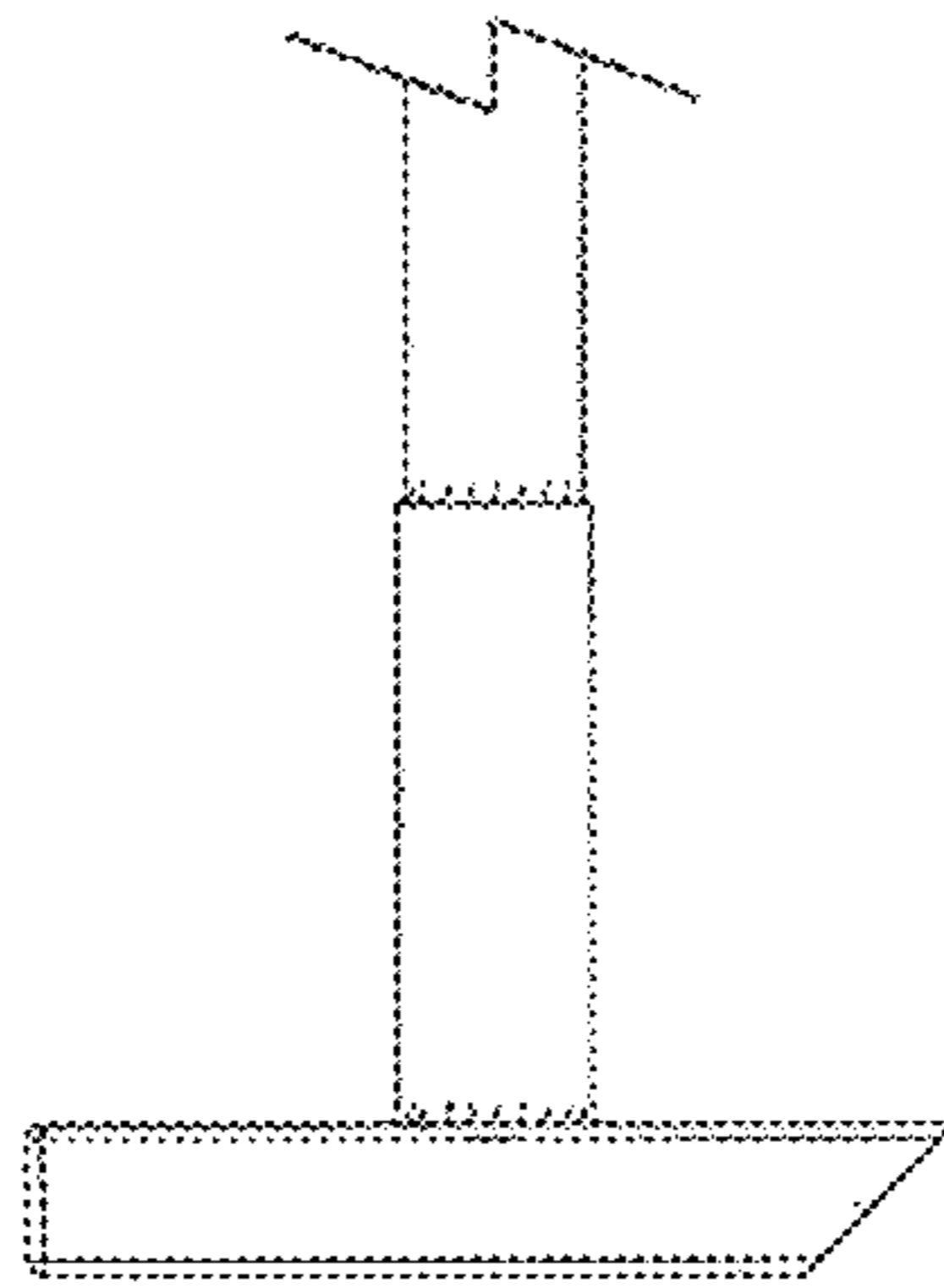
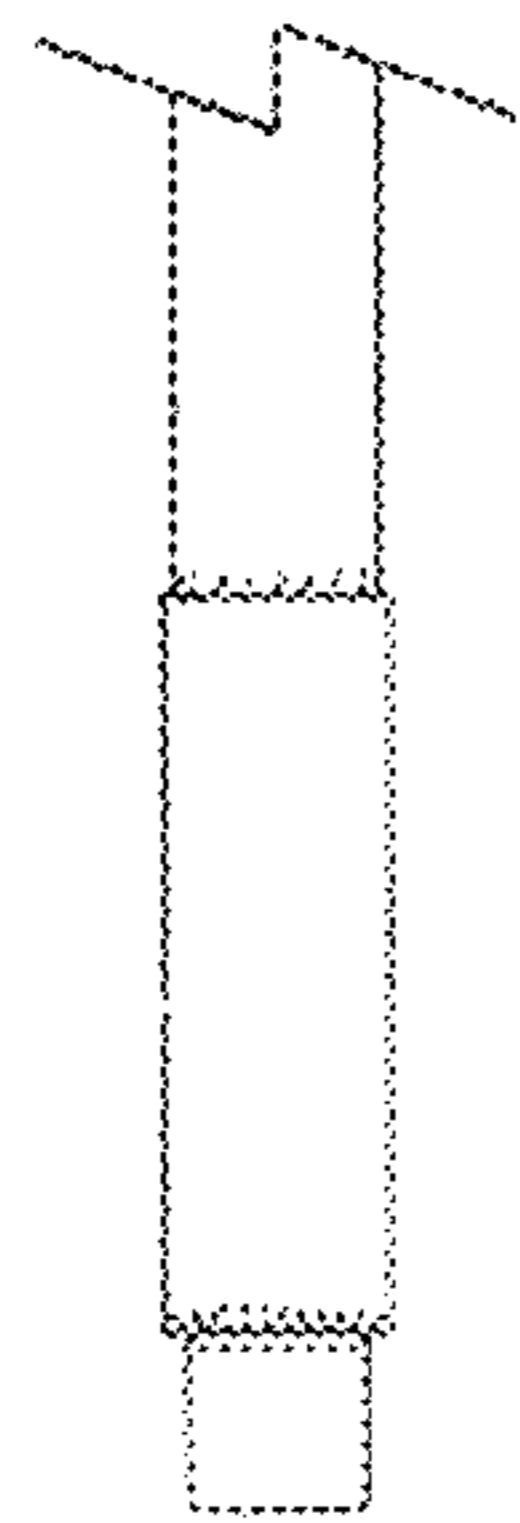
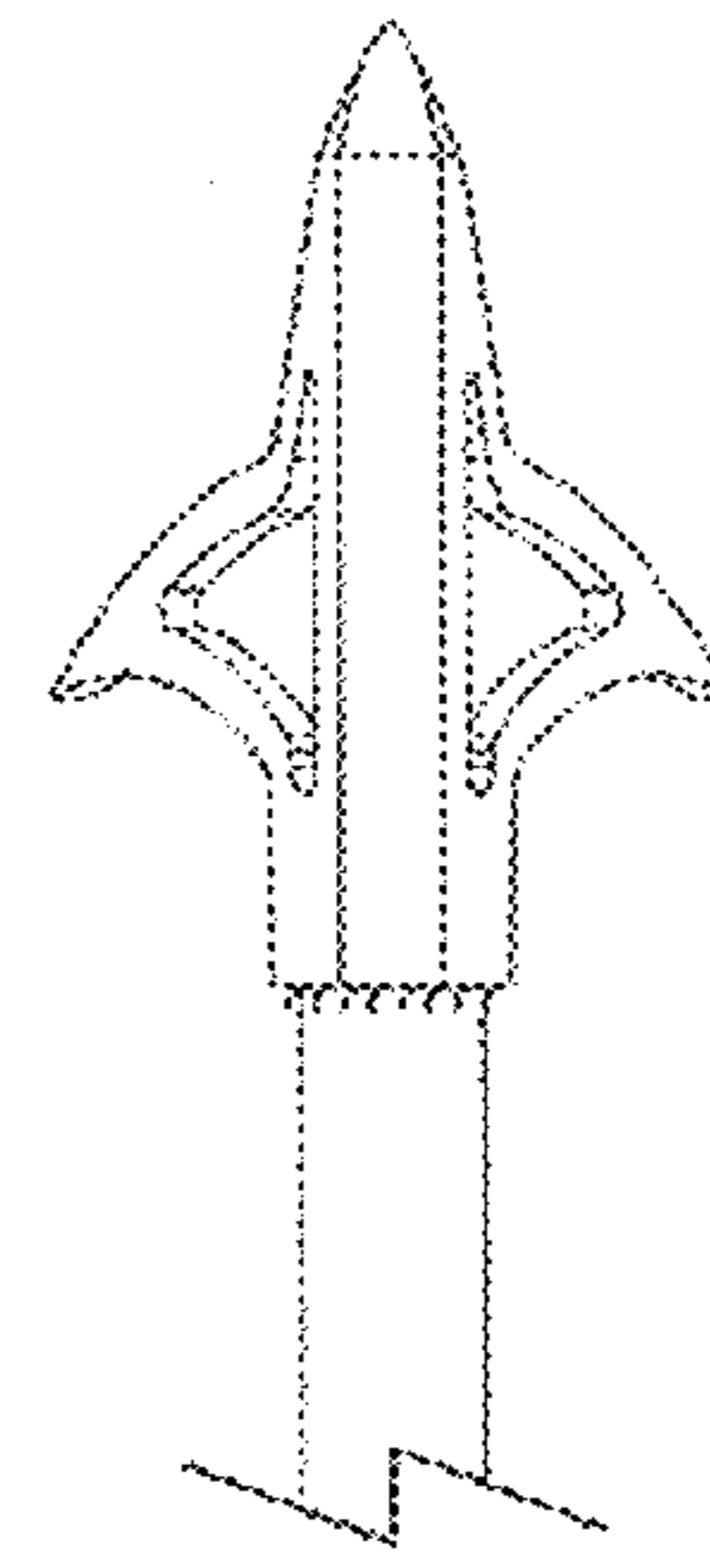
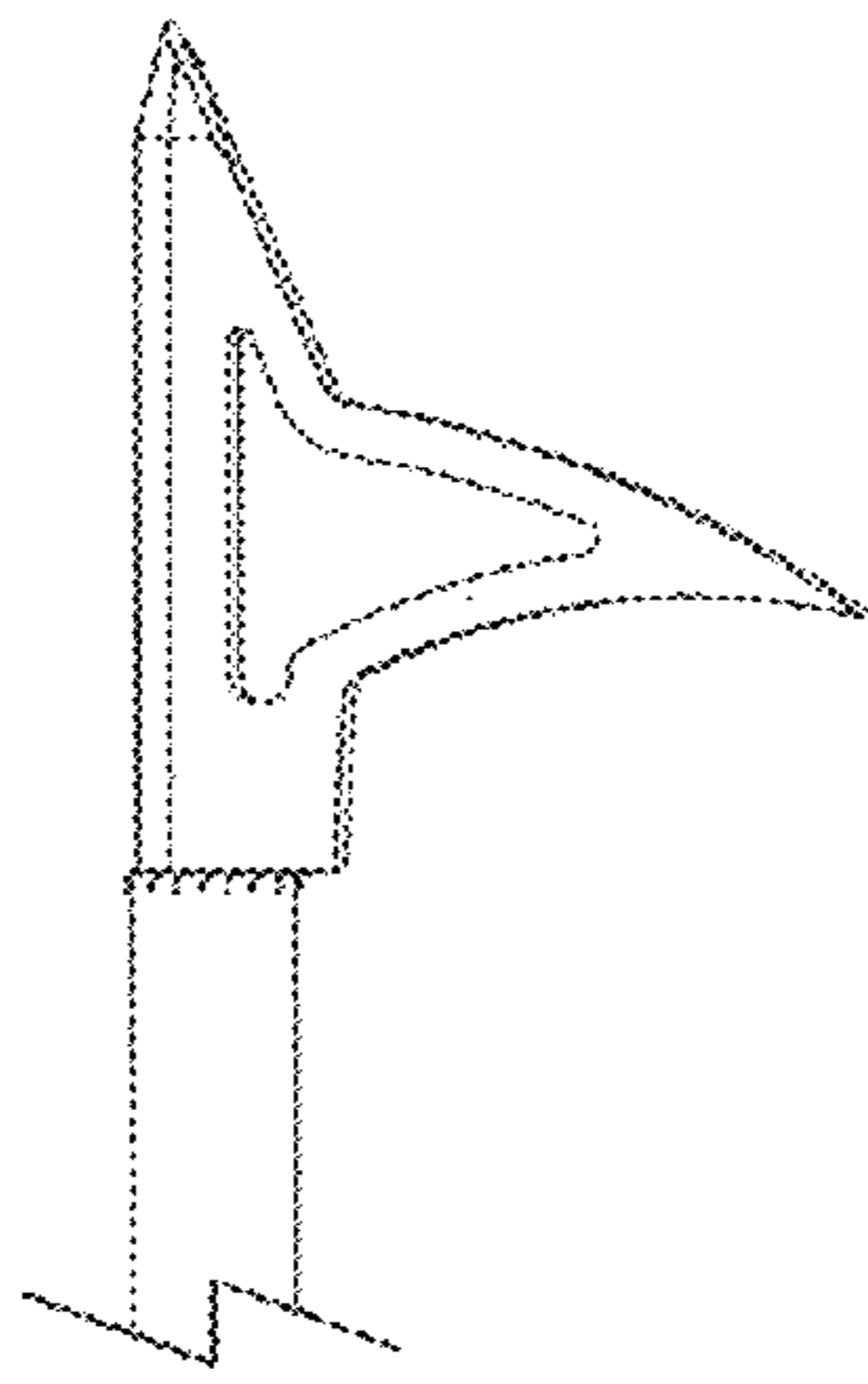
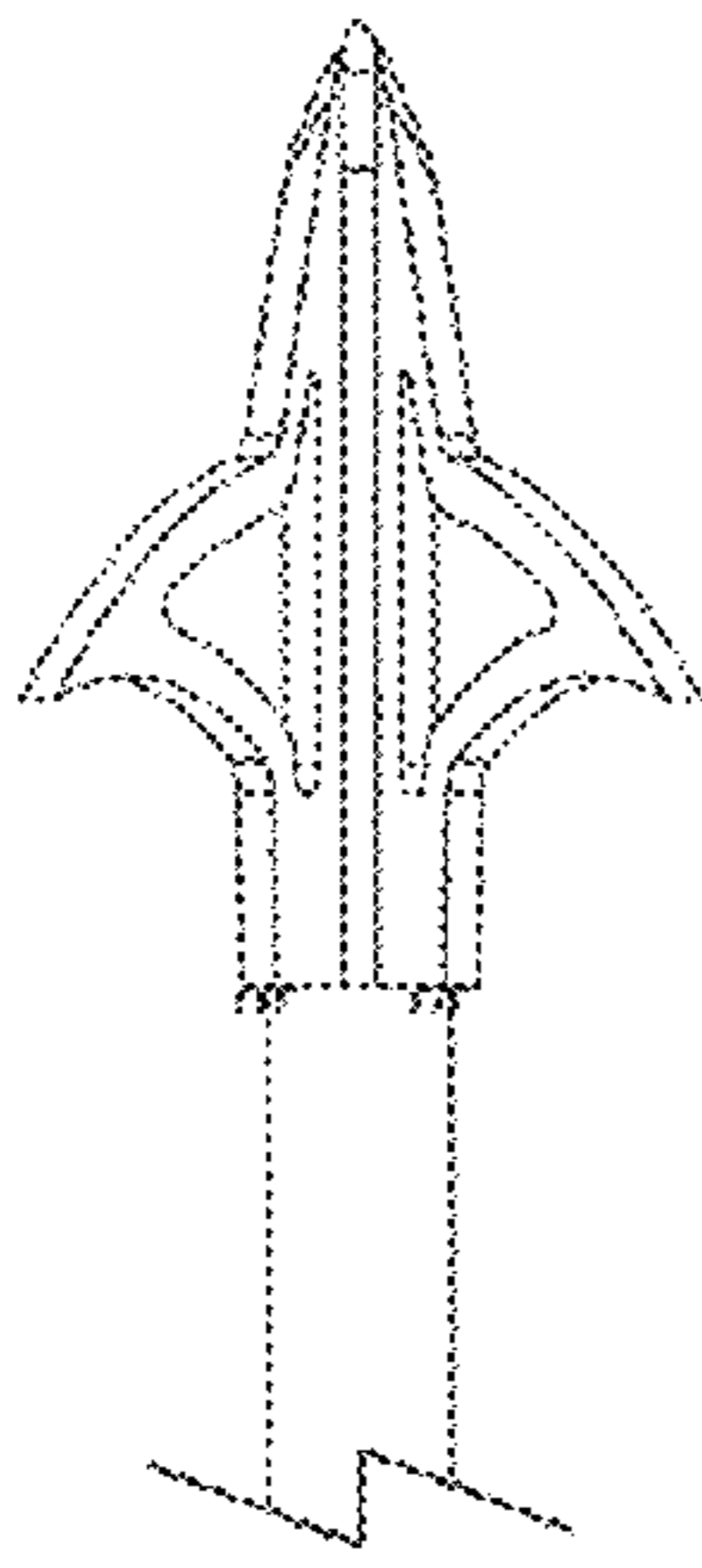


Fig. 2

Fig. 3

Fig. 4

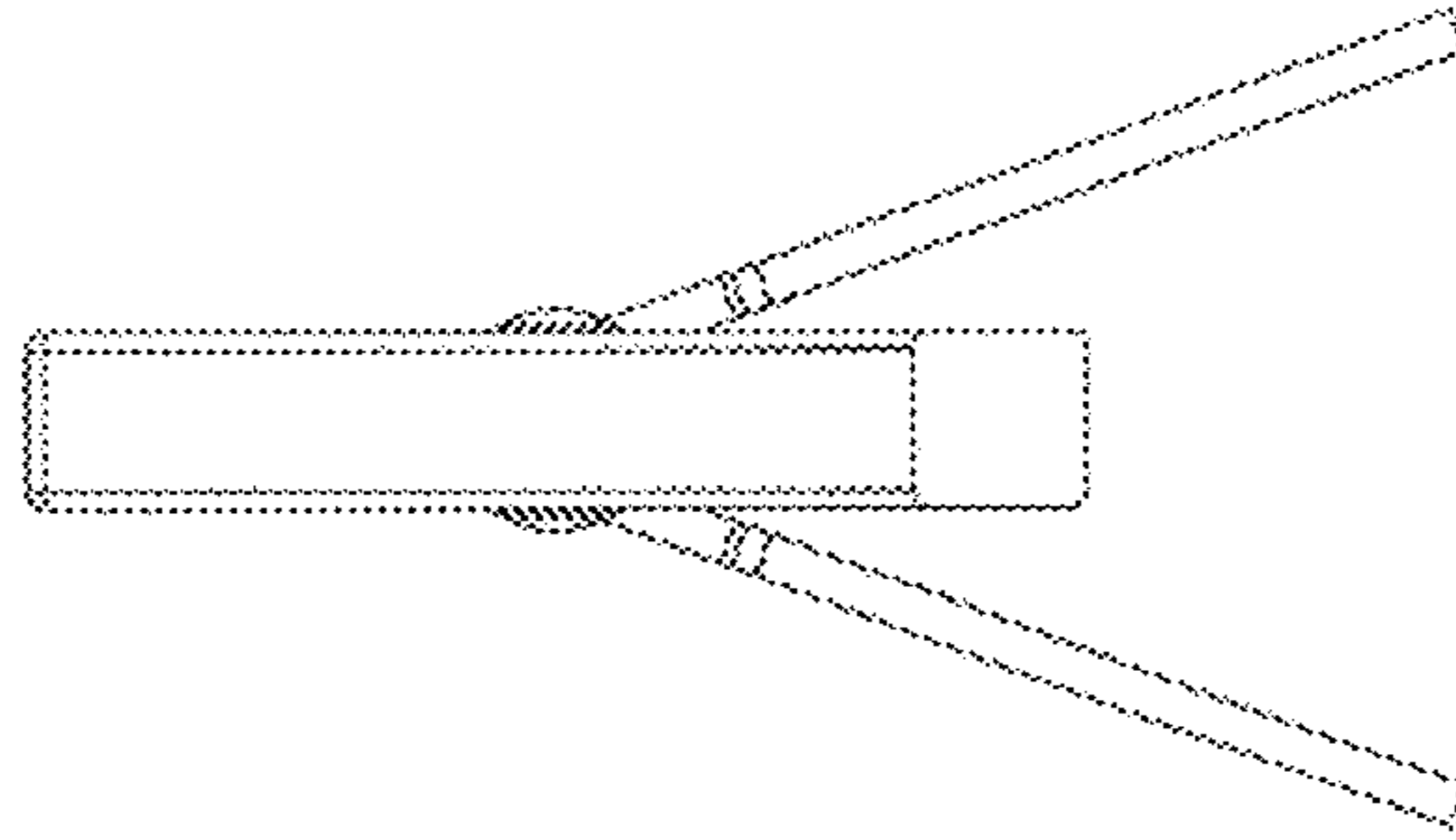


Fig. 5

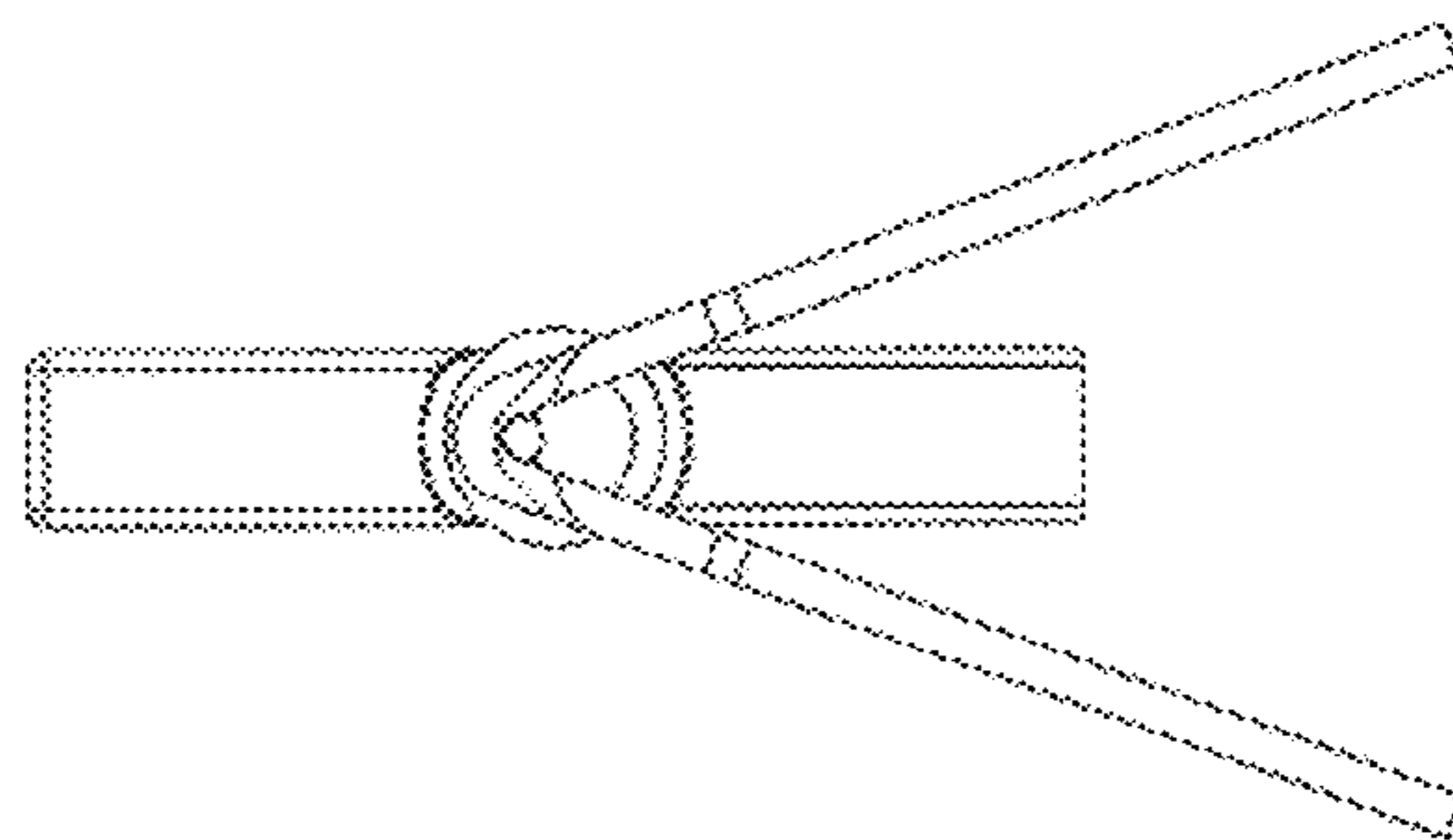


Fig. 6