



US00D738182S

(12) **United States Design Patent**
Parker et al.

(10) **Patent No.:** **US D738,182 S**
(45) **Date of Patent:** **** Sep. 8, 2015**

(54) **UTILITY KNIFE**

(71) Applicant: **Irwin Industrial Tool Company,**
Huntersville, NC (US)

(72) Inventors: **Gregory David Parker,** Charlotte, NC
(US); **James Robert Kershaw, Jr.,**
Charlotte, NC (US)

(73) Assignee: **Irwin Industrial Tool Company,**
Huntersville, NC (US)

(**) Term: **14 Years**

(21) Appl. No.: **29/456,436**

(22) Filed: **May 31, 2013**

(51) **LOC (10) Cl.** **08-03**

(52) **U.S. Cl.**
USPC **D8/99**

(58) **Field of Classification Search**
USPC D8/98, 99, 105; D22/118; 30/155, 156,
30/161, 329, 330, 339, 344, 260; 7/118
See application file for complete search history.

(56) **References Cited**

U.S. PATENT DOCUMENTS

D304,154 S 10/1989 Osterhout
6,701,627 B2 3/2004 Korb et al.
D494,437 S * 8/2004 Scarla D8/99

(Continued)

FOREIGN PATENT DOCUMENTS

WO 2003009978 2/2003
WO 2005046945 5/2005

(Continued)

OTHER PUBLICATIONS

Design U.S. Appl. No. 29/422,611, filed May 22, 2012 entitled "Utility Knife Blade," Inventor: Matthew C. Green.

(Continued)

Primary Examiner — Phillip S Hyder

(57) **CLAIM**

The ornamental design for a "utility knife," as shown and described.

DESCRIPTION

FIG. 1 is a front and right side perspective view of a utility knife, showing the front, right, and top sides of our new design;

FIG. 2 is a right side view of the utility knife shown in FIG. 1;

FIG. 3 is a left side view of the utility knife shown in FIG. 1;

FIG. 4 is a top plan view of the utility knife shown in FIG. 1;

FIG. 5 is a bottom plan view of the utility knife shown in FIG. 1;

FIG. 6 is a front view of the utility knife shown in FIG. 1;

FIG. 7 is a rear view of the utility knife shown in FIG. 1;

FIG. 8 is a rear and right side perspective of the utility knife shown in FIG. 1, showing the knife blade storage door in an alternate or open position;

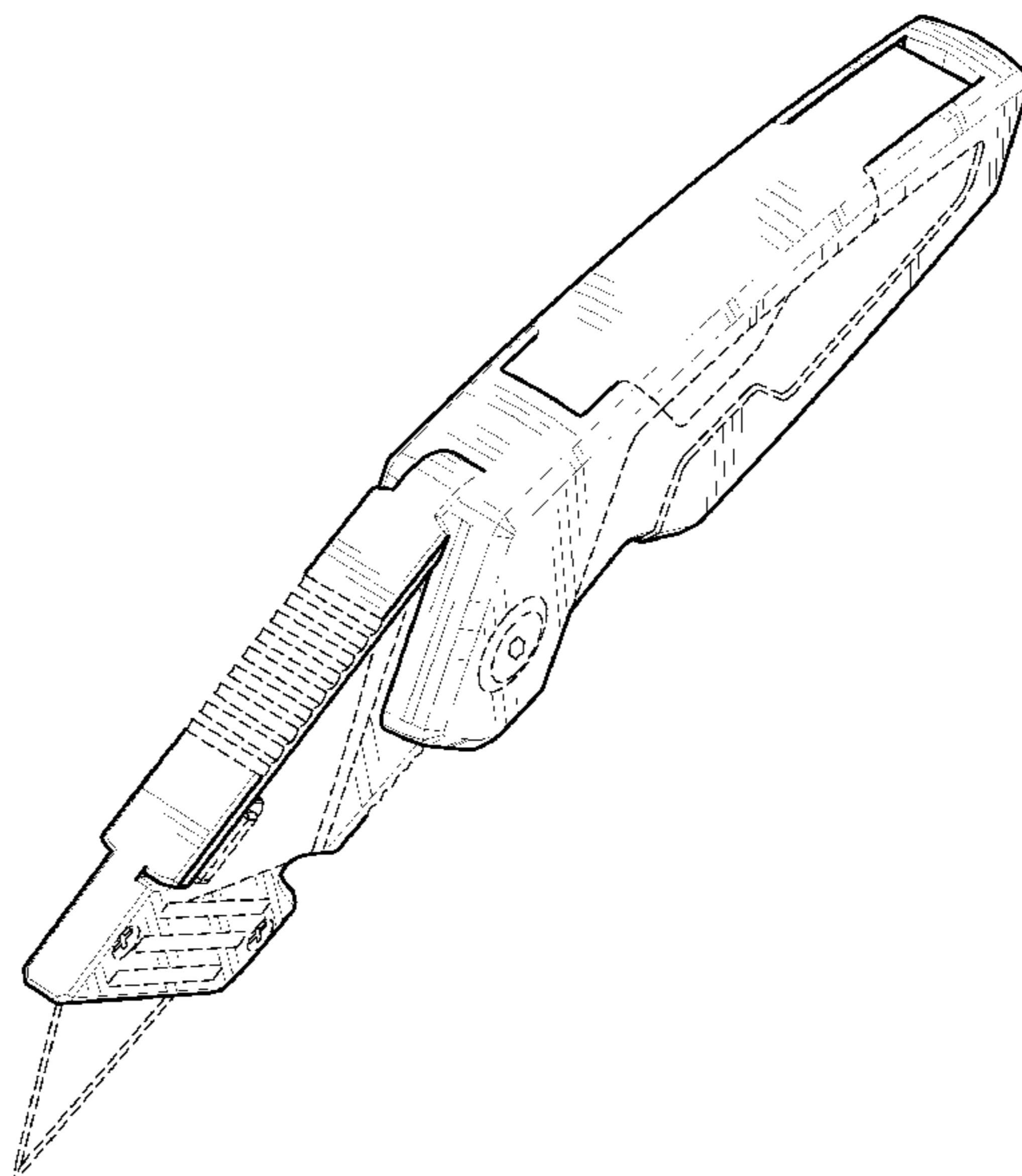
FIG. 9 is a right side perspective view of the utility knife shown in FIG. 1, showing the blade storage door in an alternate or open position;

FIG. 10 is a right side perspective view of the utility knife shown in FIG. 1, showing the knife blade in an alternate or open position; and,

FIG. 11 is a right side perspective view of the utility knife shown in FIG. 1, showing the knife blade folded into the utility knife.

The broken lines immediately adjacent the claimed areas represent the bounds of the claimed design while all other broken lines depict areas of the utility knife in which the design is embodied that form no part of the claimed design.

1 Claim, 11 Drawing Sheets



(56)

References Cited

U.S. PATENT DOCUMENTS

6,914,477	B2 *	7/2005	Shibahara	327/558
D508,839	S	8/2005	Brown et al.		
D511,288	S	11/2005	Brown et al.		
D511,447	S	11/2005	Brown et al.		
D519,817	S *	5/2006	Wong	D8/99
D522,835	S *	6/2006	Ping	D8/99
D527,234	S	8/2006	Weremchuk et al.		
7,131,204	B2	11/2006	Brown et al.		
D554,964	S	11/2007	Taylor		
7,316,070	B2	1/2008	Green		
7,434,317	B2	10/2008	Levine et al.		
D588,433	S *	3/2009	van Deursen	D8/99
D608,168	S	1/2010	Green		
7,658,129	B2	2/2010	Korb et al.		
7,814,664	B2 *	10/2010	LeBlanc et al.	30/161
D628,453	S	12/2010	Green		
7,913,397	B2	3/2011	van Deursen		
7,921,568	B2	4/2011	Green		
D644,896	S	9/2011	Green		
D645,719	S *	9/2011	Wu	D8/99
8,069,569	B2	12/2011	Brown et al.		
D660,107	S	5/2012	Green		
8,291,602	B2	10/2012	Korb et al.		

D686,482	S *	7/2013	Robinson et al.	D8/99
8,539,677	B2	9/2013	Strauss		
8,539,680	B2	9/2013	Strauss		
D691,018	S *	10/2013	Robinson et al.	D8/99
8,549,755	B2 *	10/2013	Ranieri et al.	30/162
D696,919	S	1/2014	Leh et al.		
D699,090	S *	2/2014	Kalajyan et al.	D8/99
D703,510	S	4/2014	Hyma		
2005/0193566	A1	9/2005	Brown et al.		
2008/0256808	A1	10/2008	Levine et al.		
2010/0071216	A1	3/2010	Novak		
2010/0263491	A1	10/2010	Korb et al.		

FOREIGN PATENT DOCUMENTS

WO	2008144737	11/2008
WO	2010028086	3/2010

OTHER PUBLICATIONS

Design U.S. Appl. No. 29/456,434, filed May 31, 2013 entitled "Utility Knife Handle," Inventor: Gregory David Parker.
 Design U.S. Appl. No. 29/456,439, filed May 31, 2013 entitled "Utility Knife Handle," Inventor: Gregory David Parker.

* cited by examiner

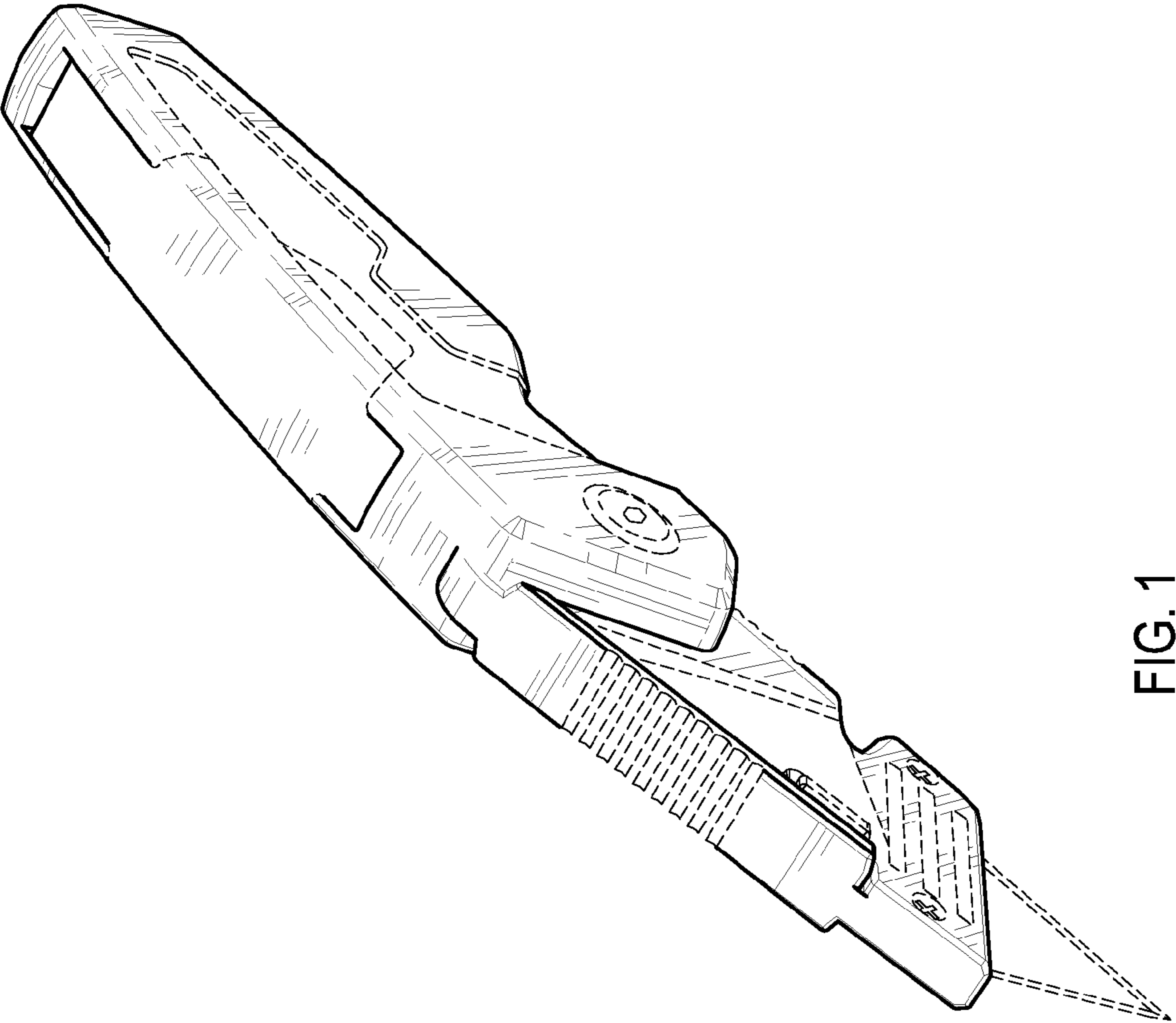


FIG. 1

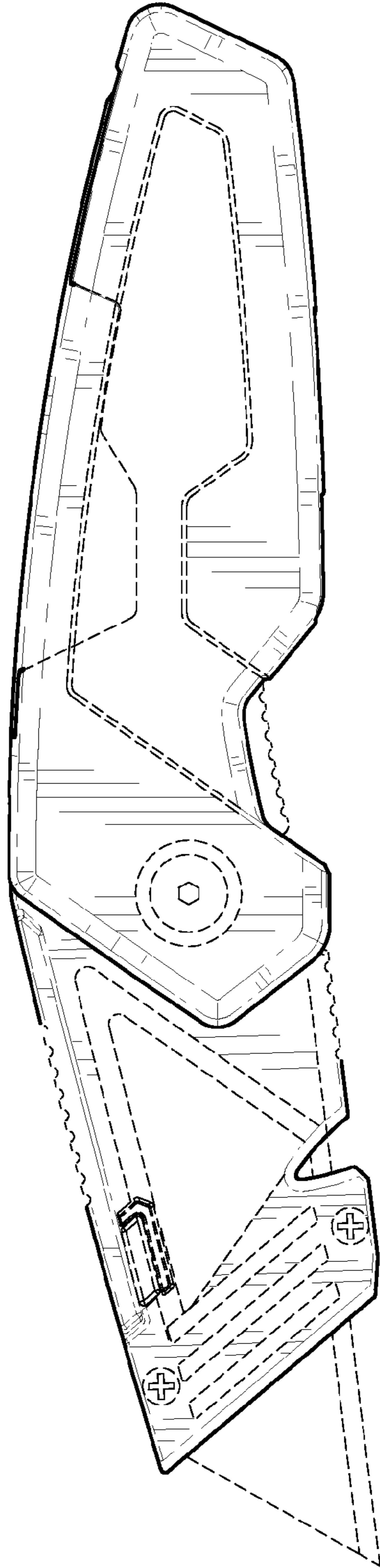


FIG. 2

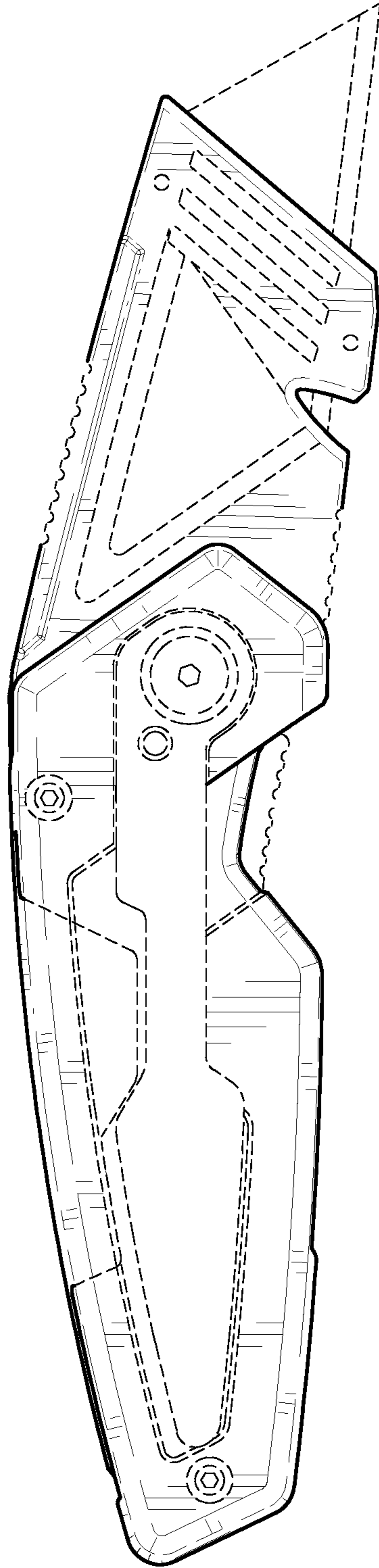


FIG. 3

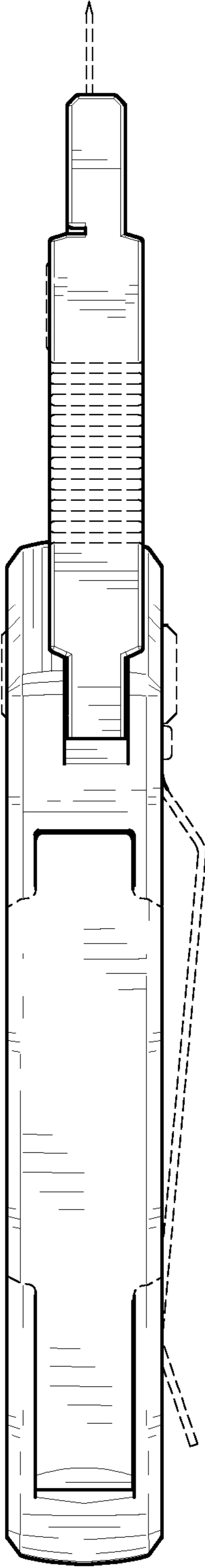


FIG. 4

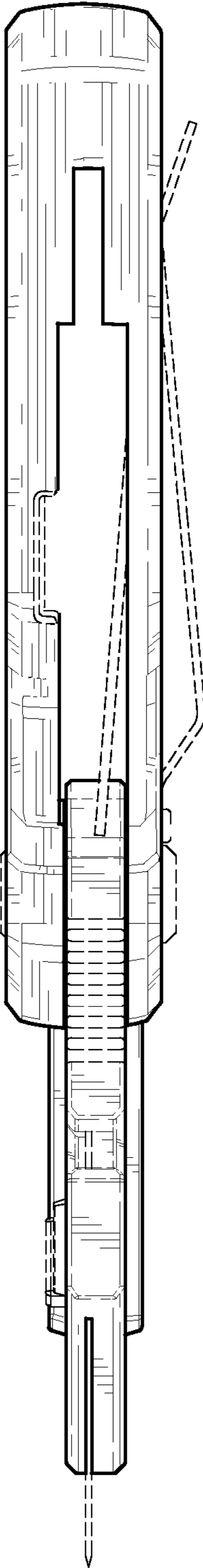


FIG. 5

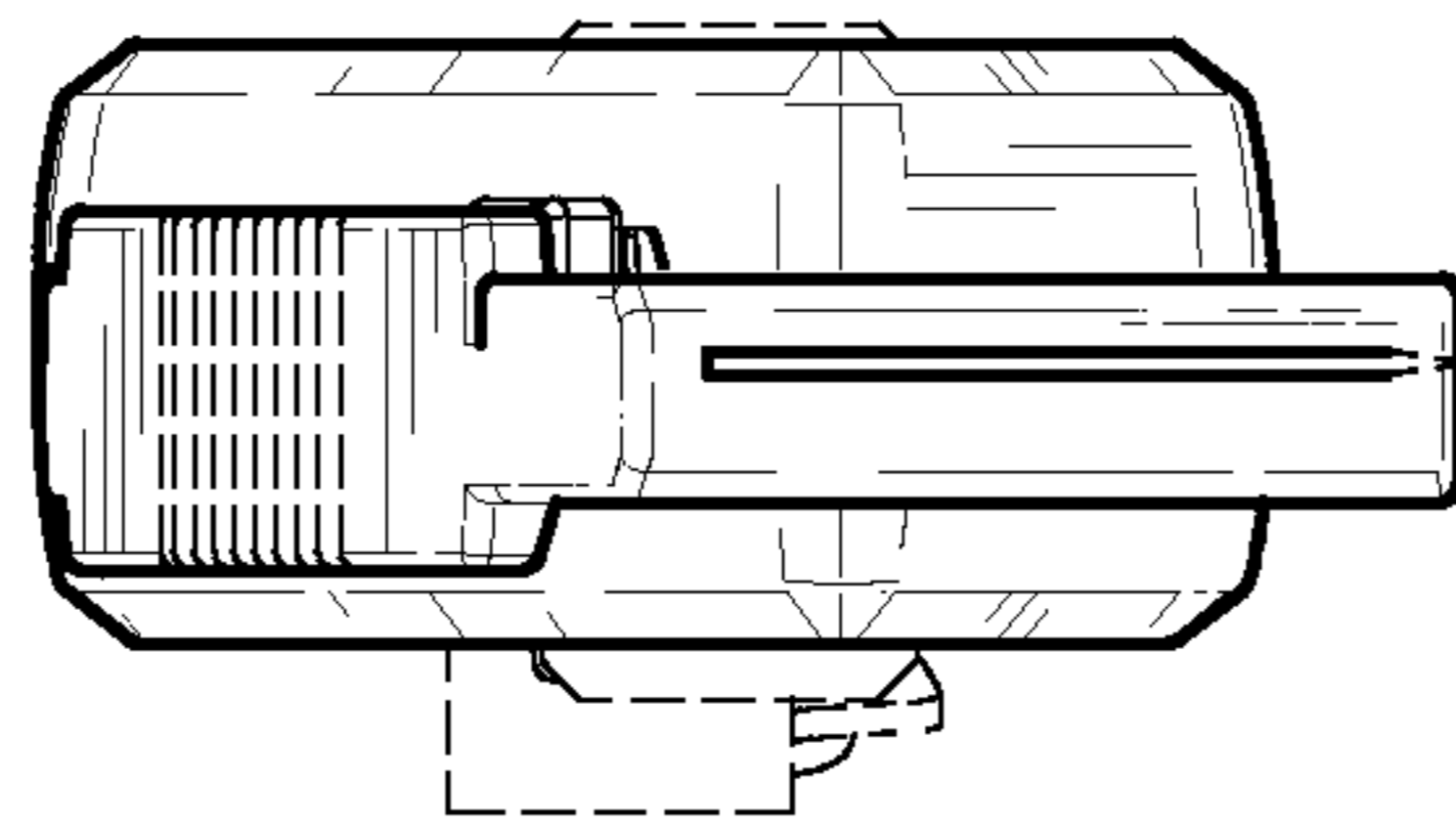


FIG. 6

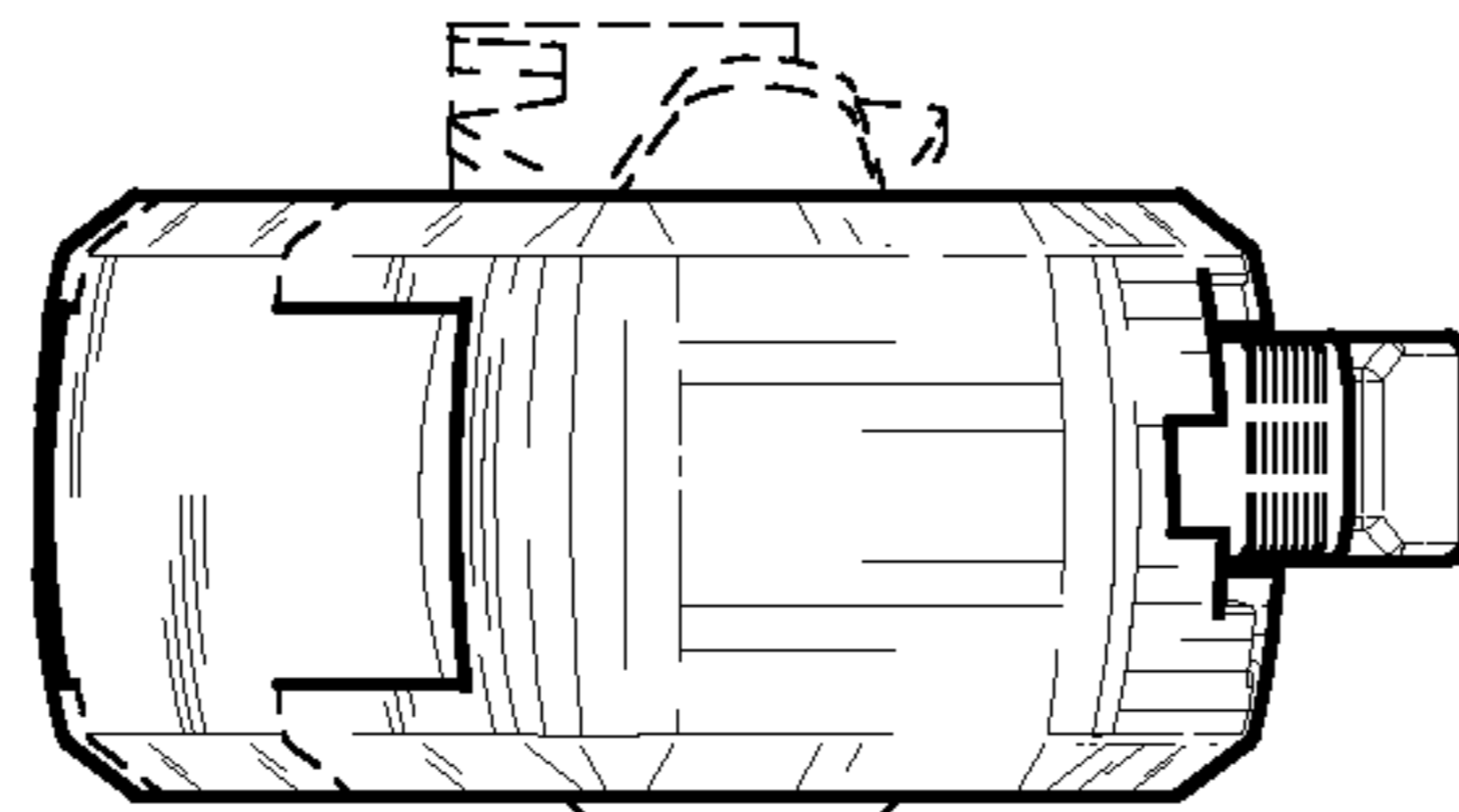


FIG. 7

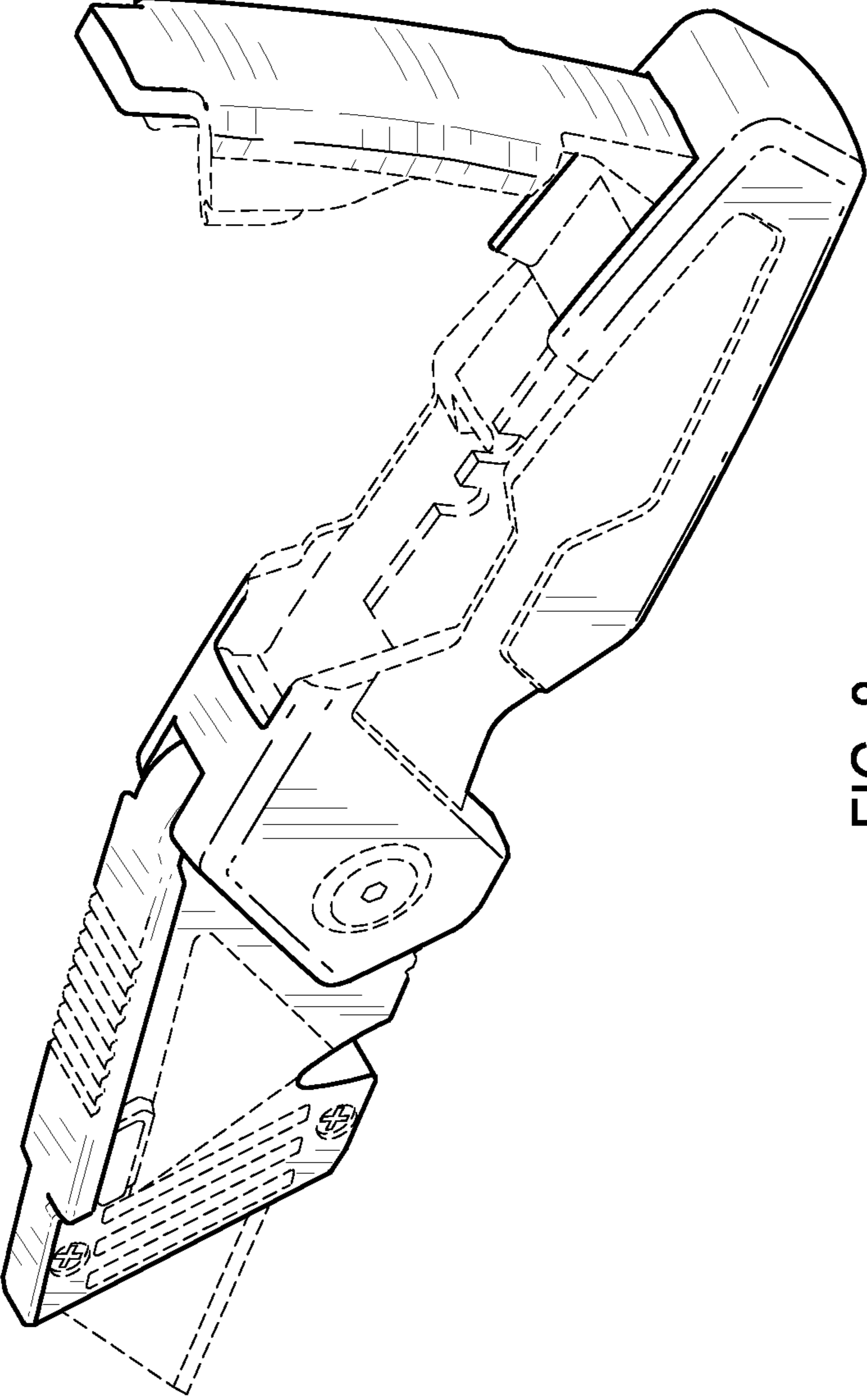


FIG. 8

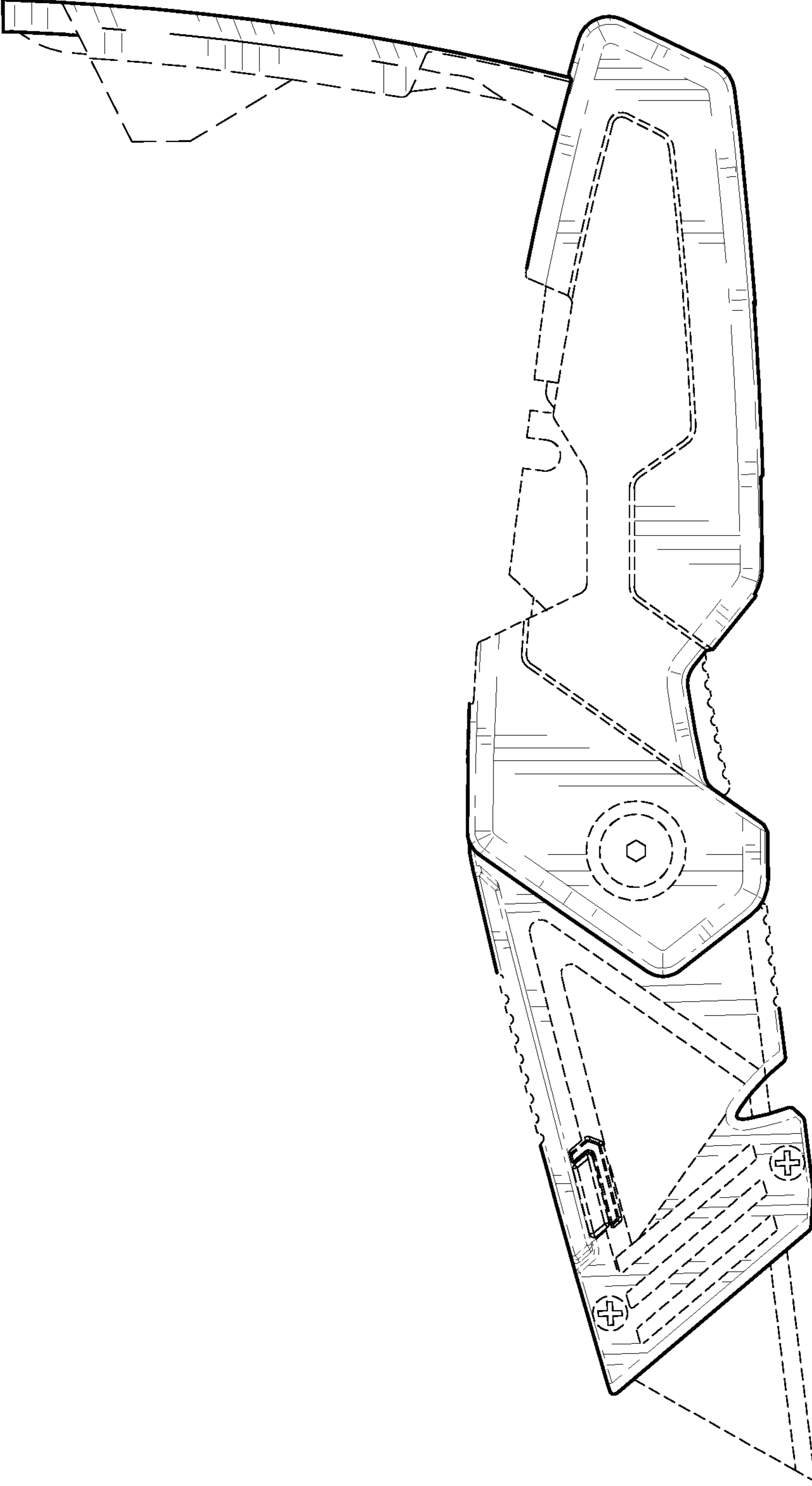


FIG. 9

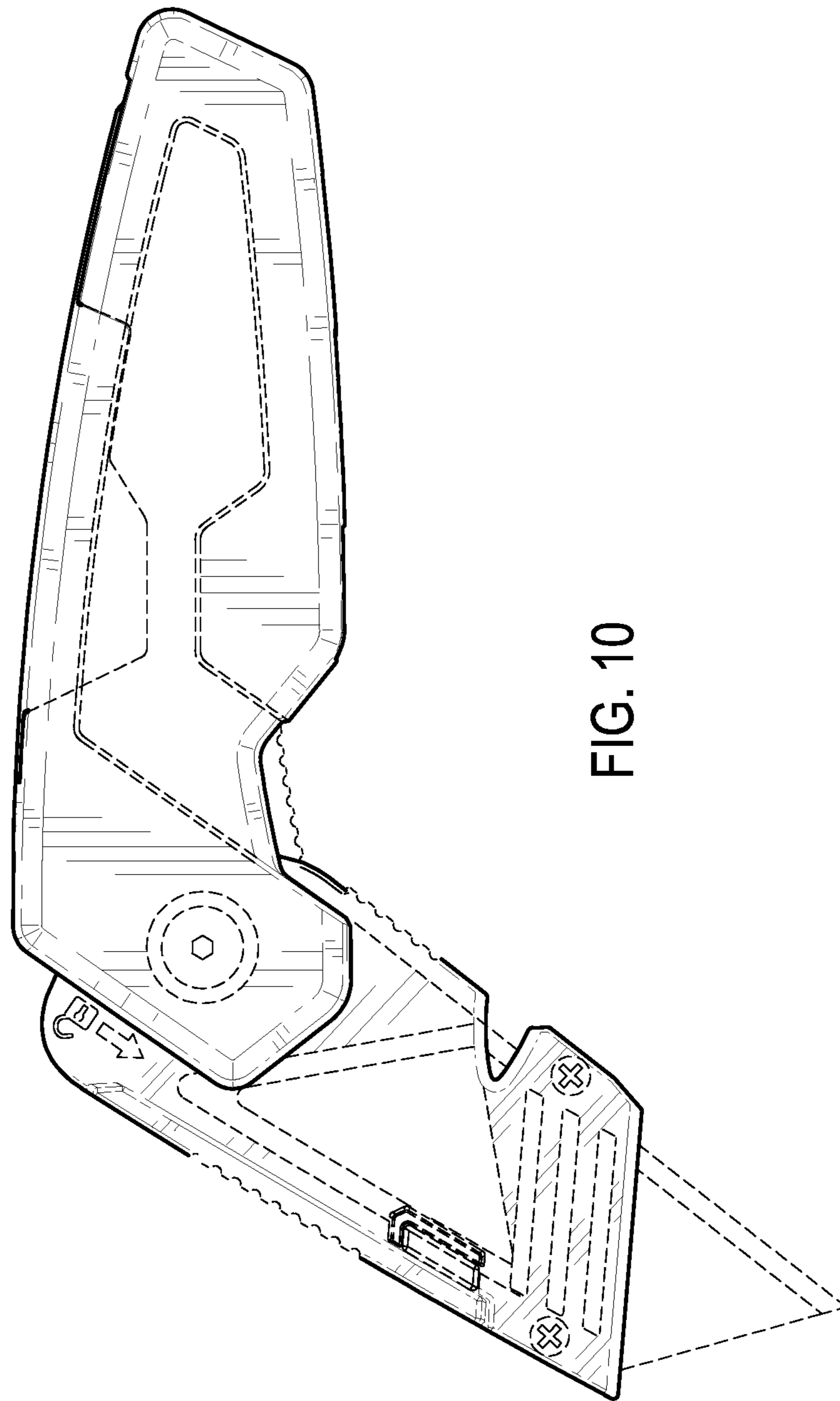


FIG. 10

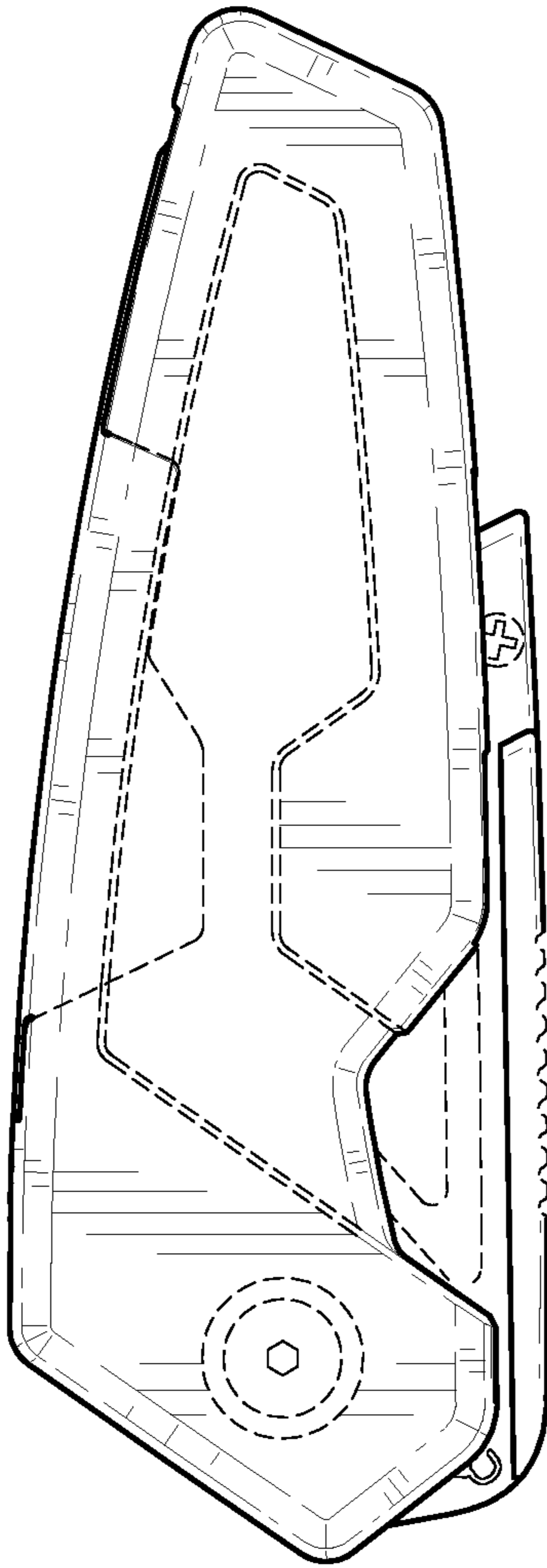


FIG. 11