



US00D738179S

(12) **United States Design Patent**  
**Gray et al.**

(10) **Patent No.:** **US D738,179 S**  
(45) **Date of Patent:** **\*\* Sep. 8, 2015**

(54) **VEHICLE WHEEL CLAMP**  
(75) Inventors: **Brian K. Gray**, Conway, AR (US);  
**Rodney Harrell**, Greenbriar, AR (US);  
**David A. Jackson**, Point Roberts, WA  
(US); **Ronald D. Swayne**, Sherwood,  
AR (US); **Ronald D. Edgmon**, Conway,  
AR (US)

(73) Assignee: **SNAP-ON INCORPORATED**,  
Kenosha, WI (US)

(\*\*) Term: **14 Years**

(21) Appl. No.: **29/431,537**

(22) Filed: **Sep. 7, 2012**

(51) **LOC (10) Cl.** ..... **08-05**

(52) **U.S. Cl.**  
USPC ..... **D8/72**

(58) **Field of Classification Search**  
USPC ..... D8/71-74, 394-399, 59, 349; 248/62,  
248/63, 72, 74.1, 689, 124.2; 81/487;  
269/3, 4, 6, 143, 165, 240, 243,  
269/246-249, 254 R, 147-149; 29/256, 257,  
29/276; D15/140; 33/203.18; 356/139.09;  
408/103, 104-109; D12/223; 70/14,  
70/18, 226

See application file for complete search history.

(56) **References Cited**

**U.S. PATENT DOCUMENTS**

|           |     |         |               |        |
|-----------|-----|---------|---------------|--------|
| 4,377,038 | A   | 3/1983  | Ragan         |        |
| 4,913,265 | A * | 4/1990  | Richards      | 188/32 |
| D338,820  | S * | 8/1993  | Sheftel       | D8/71  |
| 5,333,477 | A * | 8/1994  | Davis         | 70/226 |
| 5,375,442 | A * | 12/1994 | Hammer        | 70/226 |
| 5,706,682 | A * | 1/1998  | Barker et al. | 70/226 |
| D398,833  | S * | 9/1998  | Hammar        | D8/349 |
| D418,391  | S * | 1/2000  | Tsai          | D8/330 |

|           |      |         |                   |         |
|-----------|------|---------|-------------------|---------|
| 6,116,062 | A *  | 9/2000  | Markegard et al.  | 70/19   |
| 6,125,672 | A *  | 10/2000 | Diez              | 70/226  |
| 6,131,293 | A    | 10/2000 | Maioli et al.     |         |
| 6,880,375 | B1 * | 4/2005  | Pettingill et al. | 70/226  |
| D507,226  | S *  | 7/2005  | Oksa              | D12/223 |
| 7,107,802 | B2 * | 9/2006  | Clarke            | 70/226  |
| 7,703,212 | B2   | 4/2010  | Stieff et al.     |         |

(Continued)

**OTHER PUBLICATIONS**

“HawkEye Elite Alignment System—Greater profit and productivity through innovation” <[http://www.hunter.com/alignment/hawkeye\\_elite/features.cfm](http://www.hunter.com/alignment/hawkeye_elite/features.cfm)> Retrieved from the Internet on Sep. 7, 2012.

(Continued)

*Primary Examiner* — David Muller

(74) *Attorney, Agent, or Firm* — McDermott Will & Emery LLP

(57) **CLAIM**

The ornamental design for a vehicle wheel clamp, as shown and described.

**DESCRIPTION**

FIG. 1 is a front perspective view of a right vehicle wheel clamp (the left vehicle wheel clamp being a mirror image and is not shown);

FIG. 2 is a front view of the vehicle wheel clamp;

FIG. 3 is a rear view of the vehicle wheel clamp;

FIG. 4 is a side view of the vehicle wheel clamp;

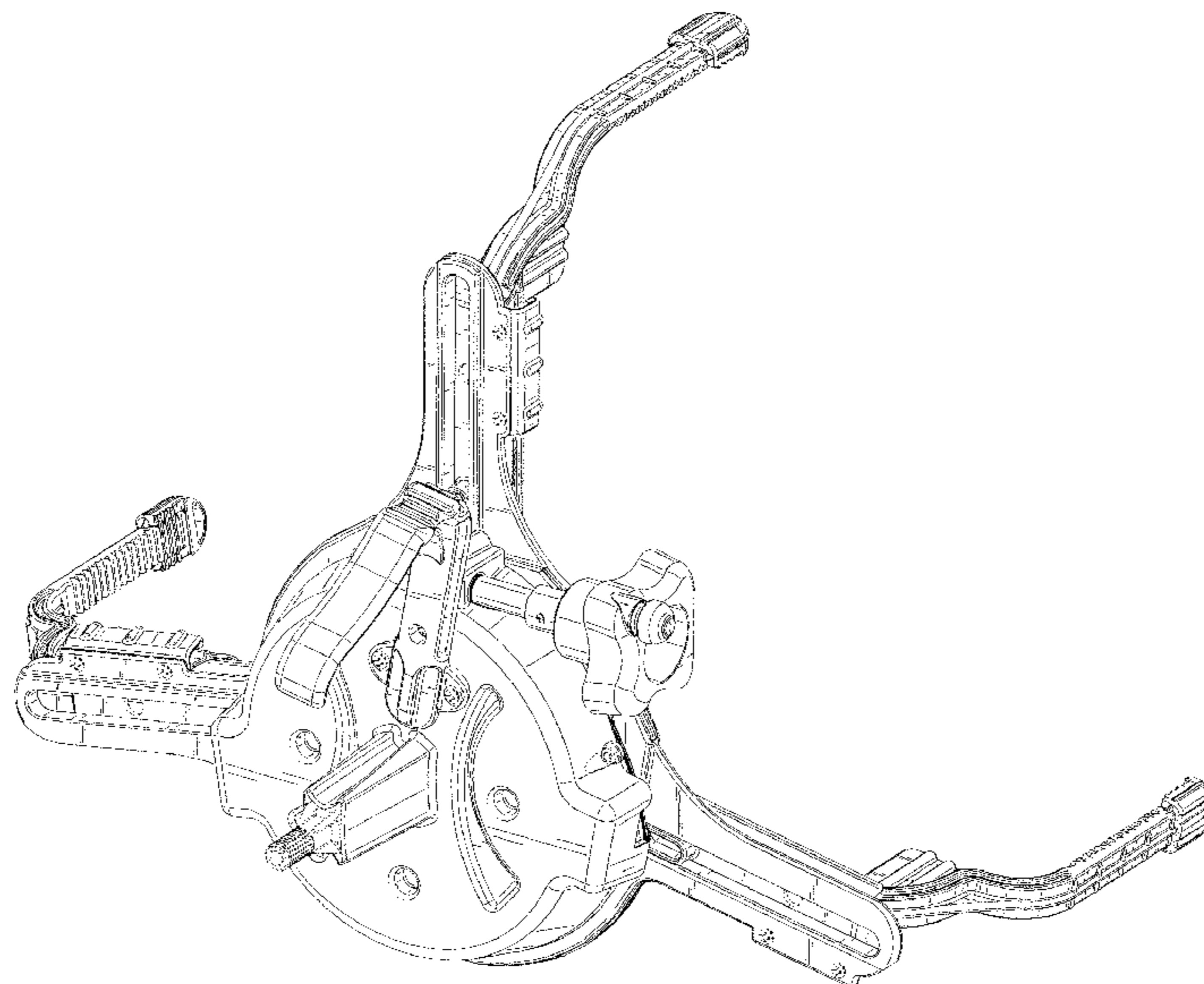
FIG. 5 is another side view of the vehicle wheel clamp;

FIG. 6 is a top view of the vehicle wheel clamp; and,

FIG. 7 is a bottom view of the vehicle wheel clamp.

The broken lines showing various elements of the vehicle wheel clamp are included for the purpose of illustrating non-claimed subject matter and form no part of the claimed design.

**1 Claim, 7 Drawing Sheets**



(56)

**References Cited**

U.S. PATENT DOCUMENTS

7,870,677 B2 1/2011 Gray et al.  
 D636,003 S 4/2011 Linson et al.  
 7,930,834 B2 4/2011 Stieff et al.  
 8,033,028 B2 10/2011 Stieff et al.  
 8,640,509 B2\* 2/2014 Will ..... 70/57.1

OTHER PUBLICATIONS

Alignment Accessories—Hunter Engineering Company.  
 “QuickGrip Adaptor Accesories” and Wheel-Off Adjustment Kits.  
 pp. 3-5.  
 HawkEye Elite HE421 Series Sensors—Hunter Engineering Com-  
 pany, pp. 1-3 (Copyright 2011).  
 “The unique self-centering 3-point Syncro dampers from FASEP—  
 The secret of success, the secret of a good wheel alignment.” <[http://  
 fasep.it/english/support/tech\\_talks/tt015\\_self\\_centering\\_  
 clampers.asp](http://fasep.it/english/support/tech_talks/tt015_self_centering_clampers.asp)> Retrieved from the Internet on Sep. 7, 2012.  
 “Beissbarth KDS 3D wheel aligner” <[http://www.beissbarth.com/  
 tryit/index.php?ID=2&SUB1=164&LG=E&CS=1](http://www.beissbarth.com/tryit/index.php?ID=2&SUB1=164&LG=E&CS=1)> Retrieved from  
 the Internet on Sep. 7, 2012.

“ProClamp Plus” <[http://hawkeka.com/en/index.php?nav=5.81.  
 126.245](http://hawkeka.com/en/index.php?nav=5.81.126.245)> Retrieved from the Internet on Jul. 16, 2012 (3 pages).  
 “Atlas Fast Clamp Three Point 13"-24" Non-Runout Wheel Clamps  
 (Set Of 4)” <[http://www.gregsmithequipment.com/Atlas-Fast-  
 Clamp-Three-Point-13-24-Non-Runout-Wheel-Clamps-Set-Of-4](http://www.gregsmithequipment.com/Atlas-Fast-Clamp-Three-Point-13-24-Non-Runout-Wheel-Clamps-Set-Of-4)>  
 Retrieved from the Internet on Sep. 6, 2012.  
 “Atlas Fastclamp Wheel Clamps” <[http://www.atlasautoequipment.  
 com/products/fastclamp](http://www.atlasautoequipment.com/products/fastclamp)>. Retrieved from the Internet on Sep. 6,  
 2012.  
 Cartek—A Heritage of Excellence 2011-Equipment Catalog, pp.  
 6-8.  
 “The World’s First Bluetooth Truck Alignment System” Ravaglioli  
 HD (5 pages).  
 “TD2200WS (8CCD) Bluetooth” Ravaglioli (4 pages).  
 “TD1760WS (6CCD) Bluetooth Series” Ravaglioli (4 pages).  
 “ProClamp SYNCRO” <[www.haweka.com/en/index.php?nav=5.  
 81.126.132](http://www.haweka.com/en/index.php?nav=5.81.126.132)> Retrieved from the Internet on Oct. 17, 2012 (1 page).  
 “Magnetic Wheel Adapter TC-142” truckCam—Effective Driving  
 Wheel Alignment Systems <[www.truckcam.com](http://www.truckcam.com)> Retrieved from  
 the Internet on Oct. 17, 2012 (2 pages).  
 “Wheel Adapter for rims 14"-24" TC-175 Spider” truckCam—Ef-  
 fective Driving Wheel Alignment Systems <[www.truckcam.com](http://www.truckcam.com)>  
 Retrieved from the Internet on Oct. 17, 2012 (2 pages).

\* cited by examiner

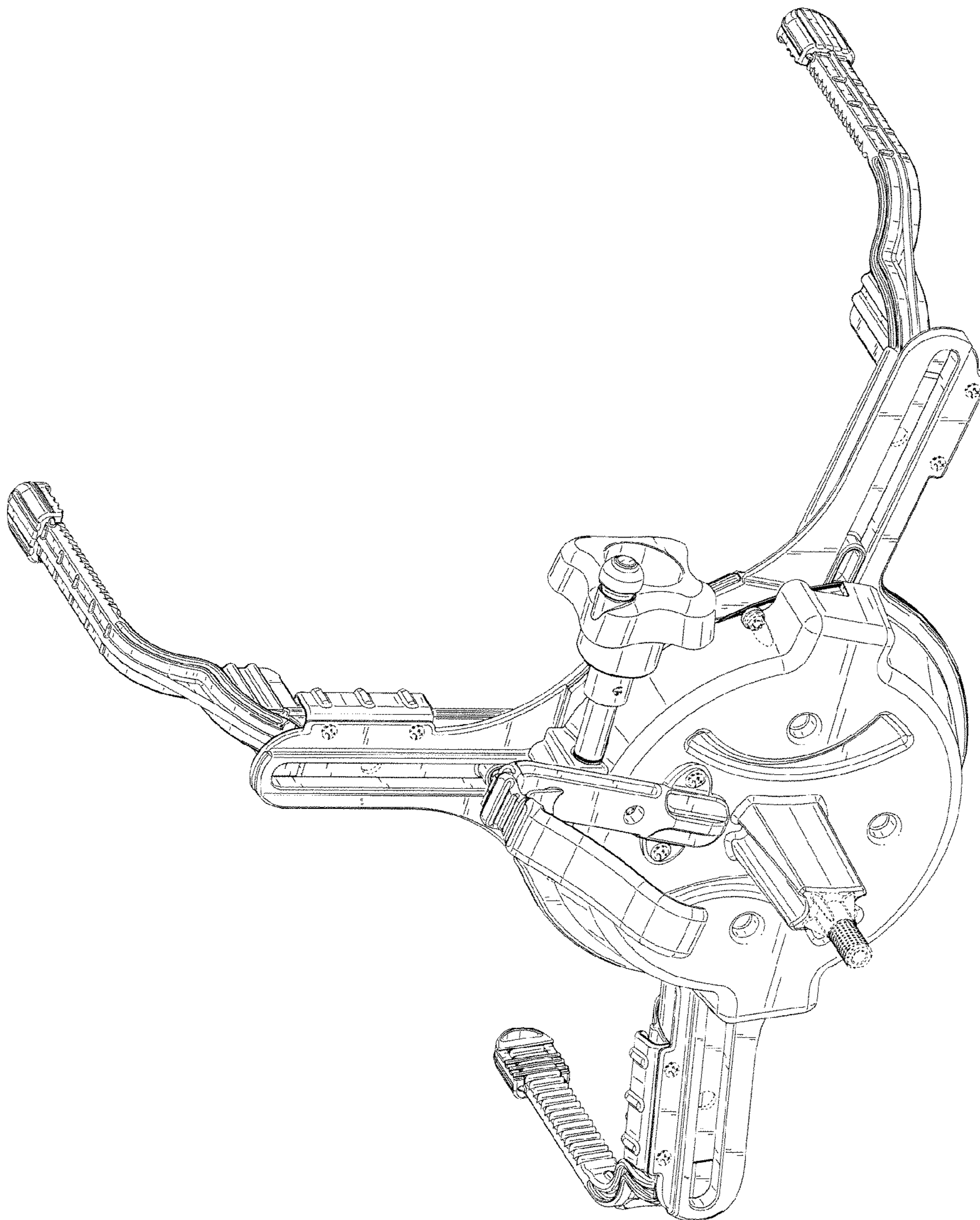


FIG. 1

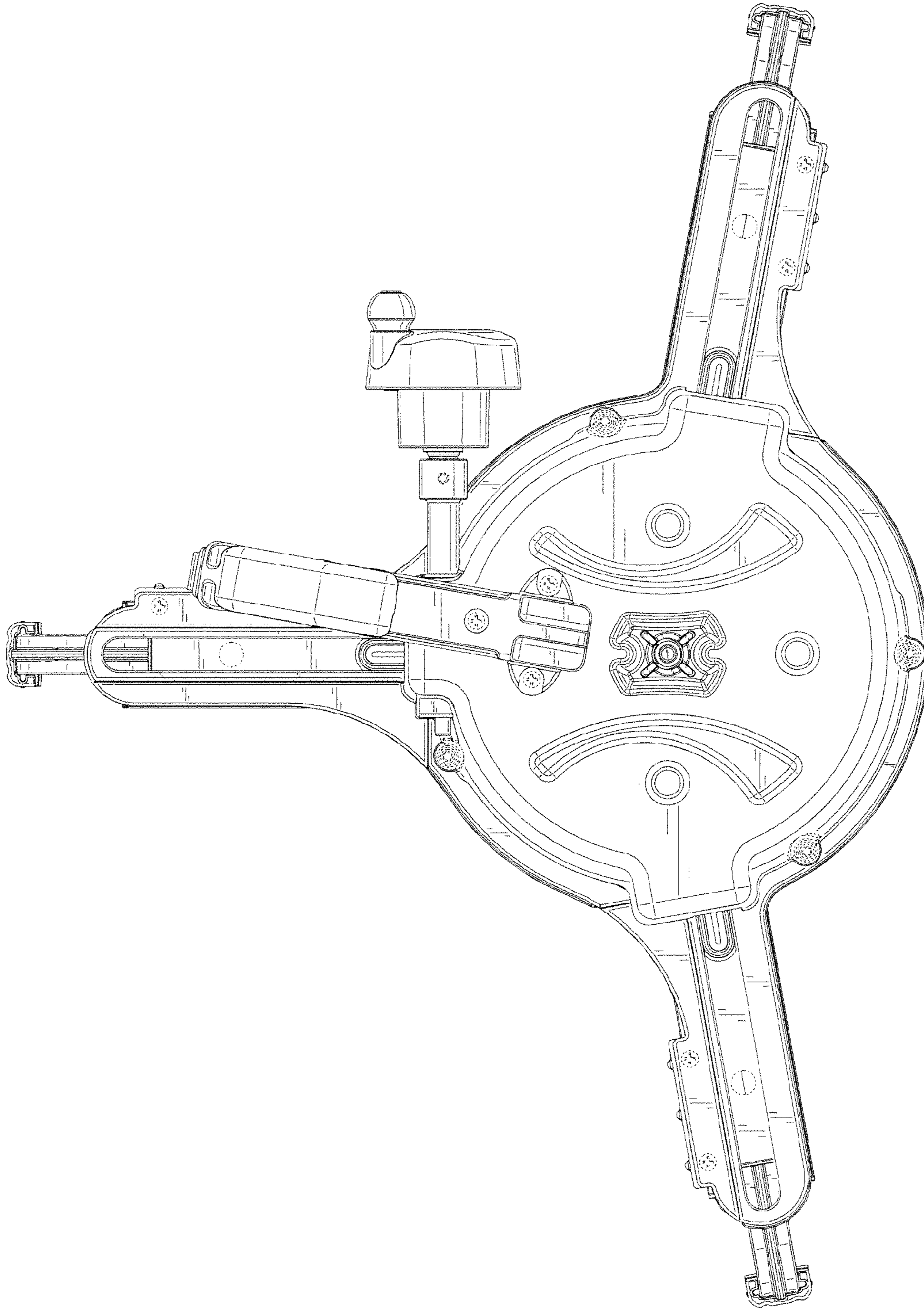


FIG. 2

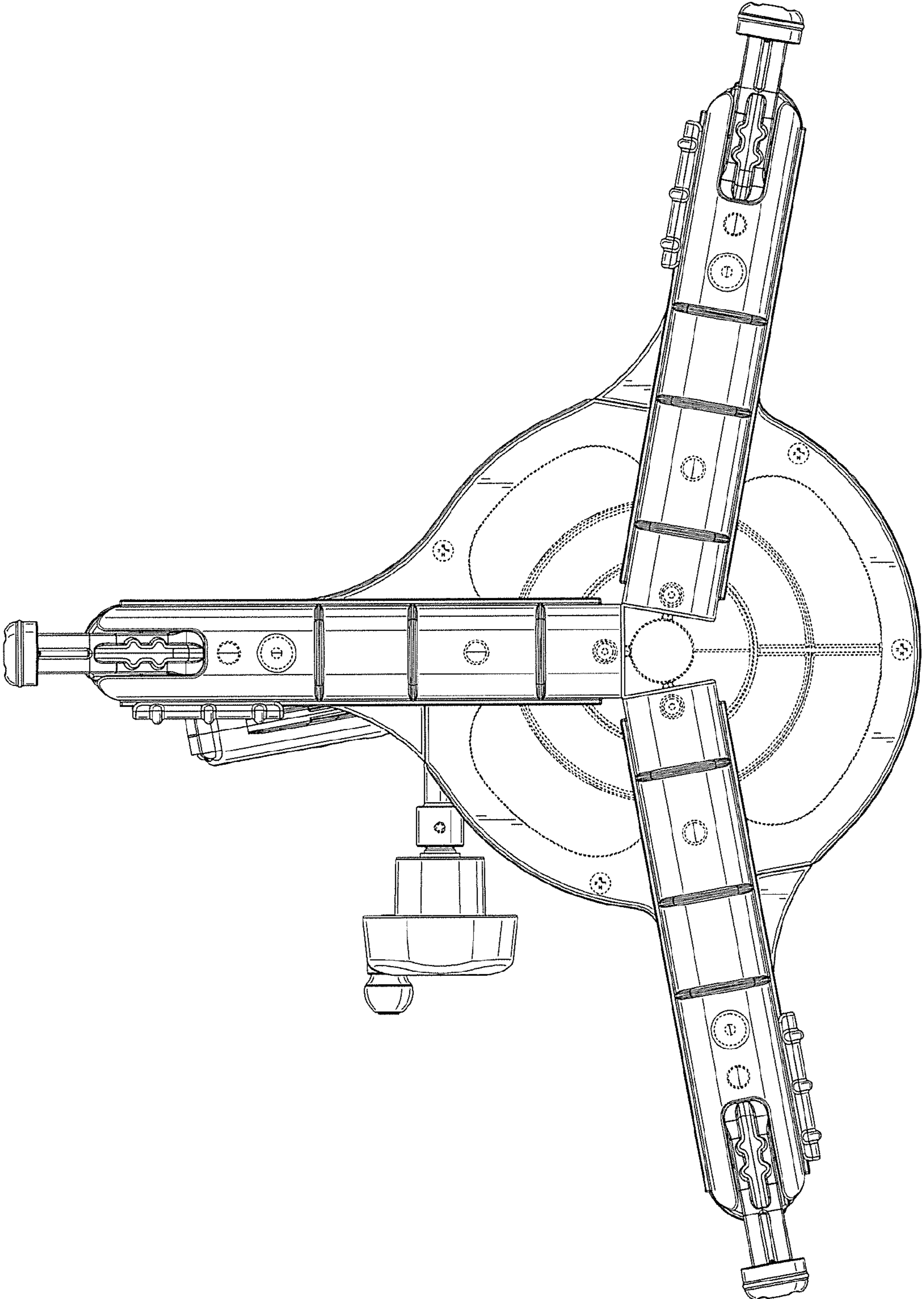


FIG. 3

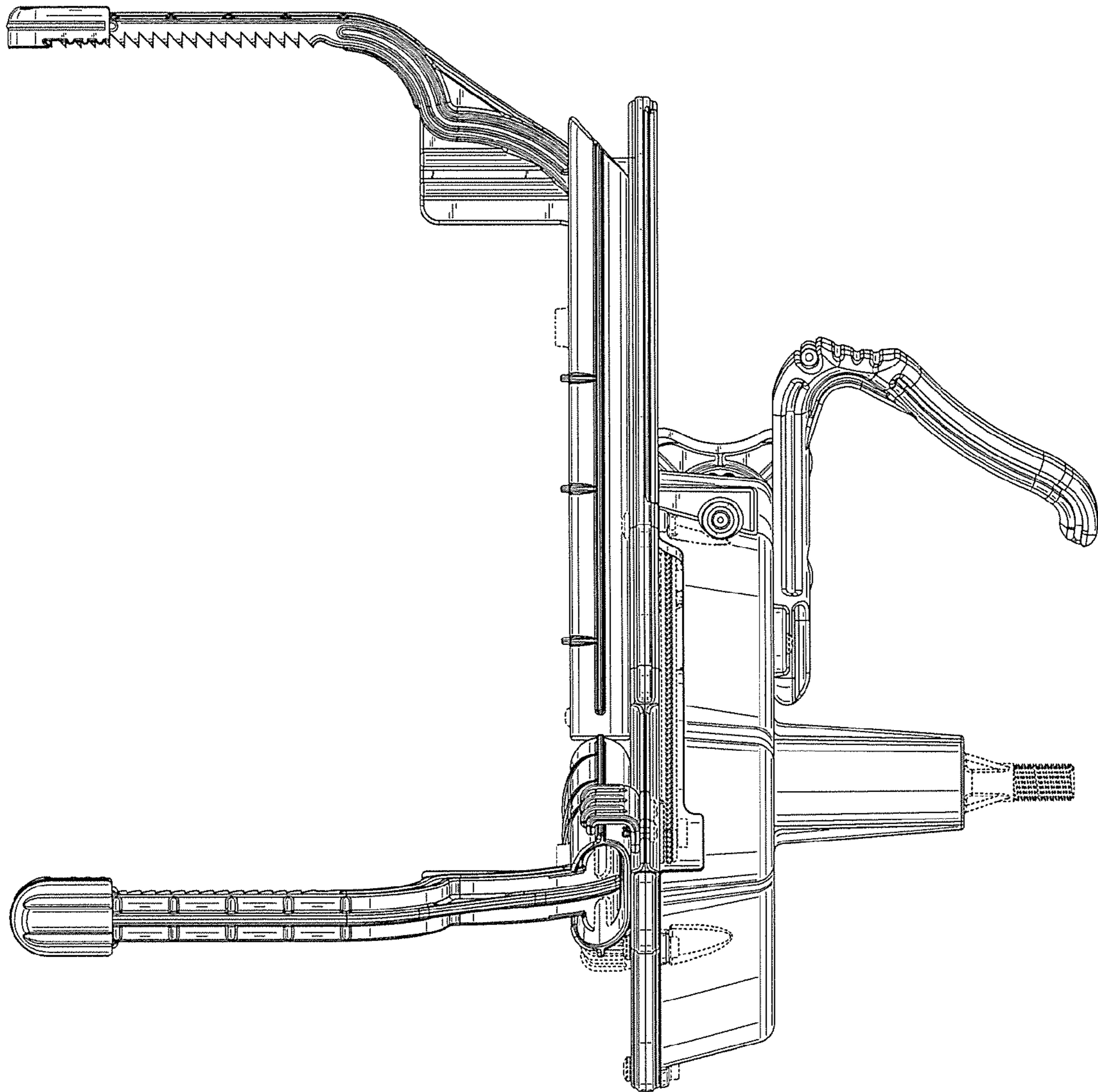


FIG. 4

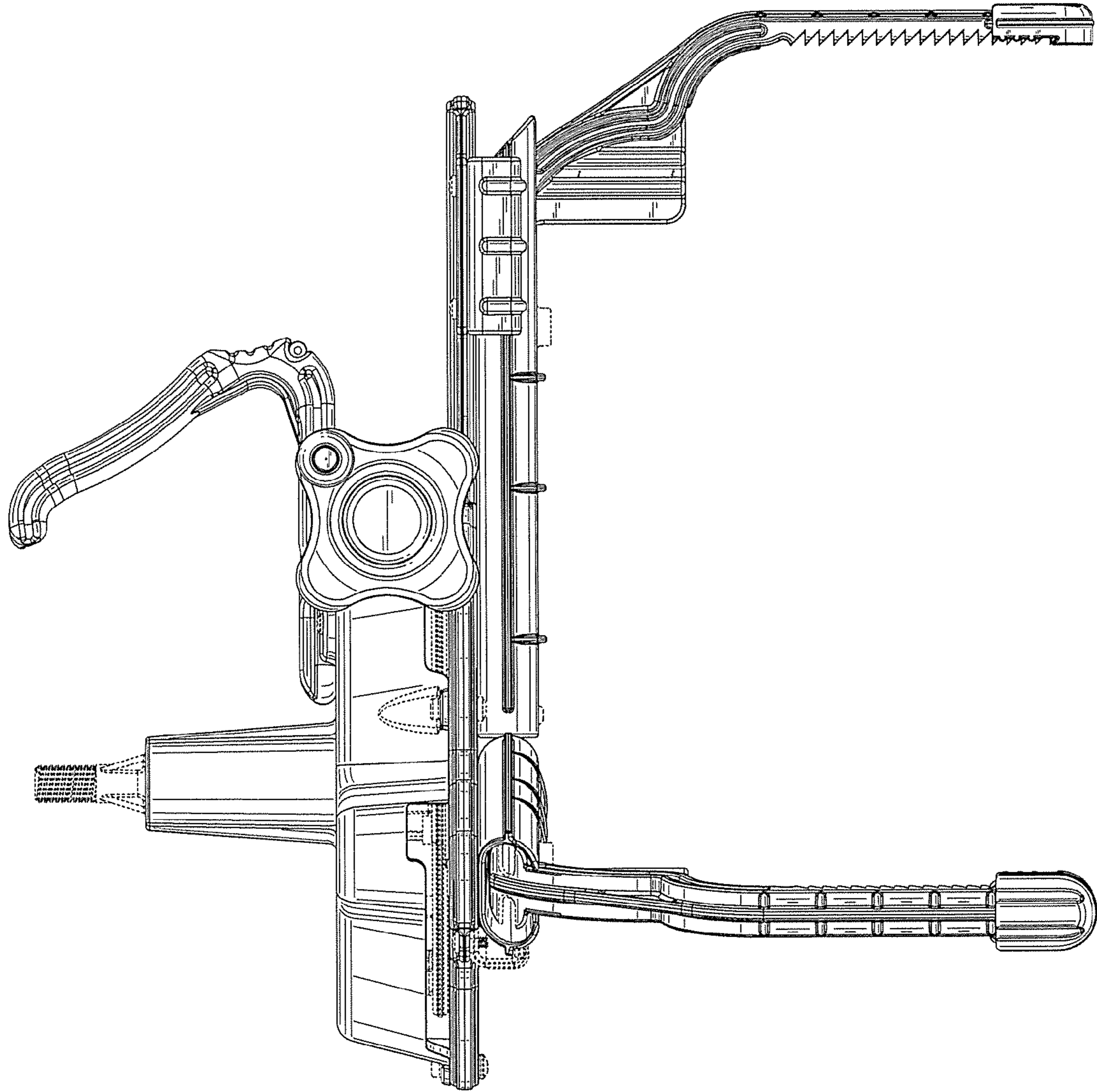


FIG. 5

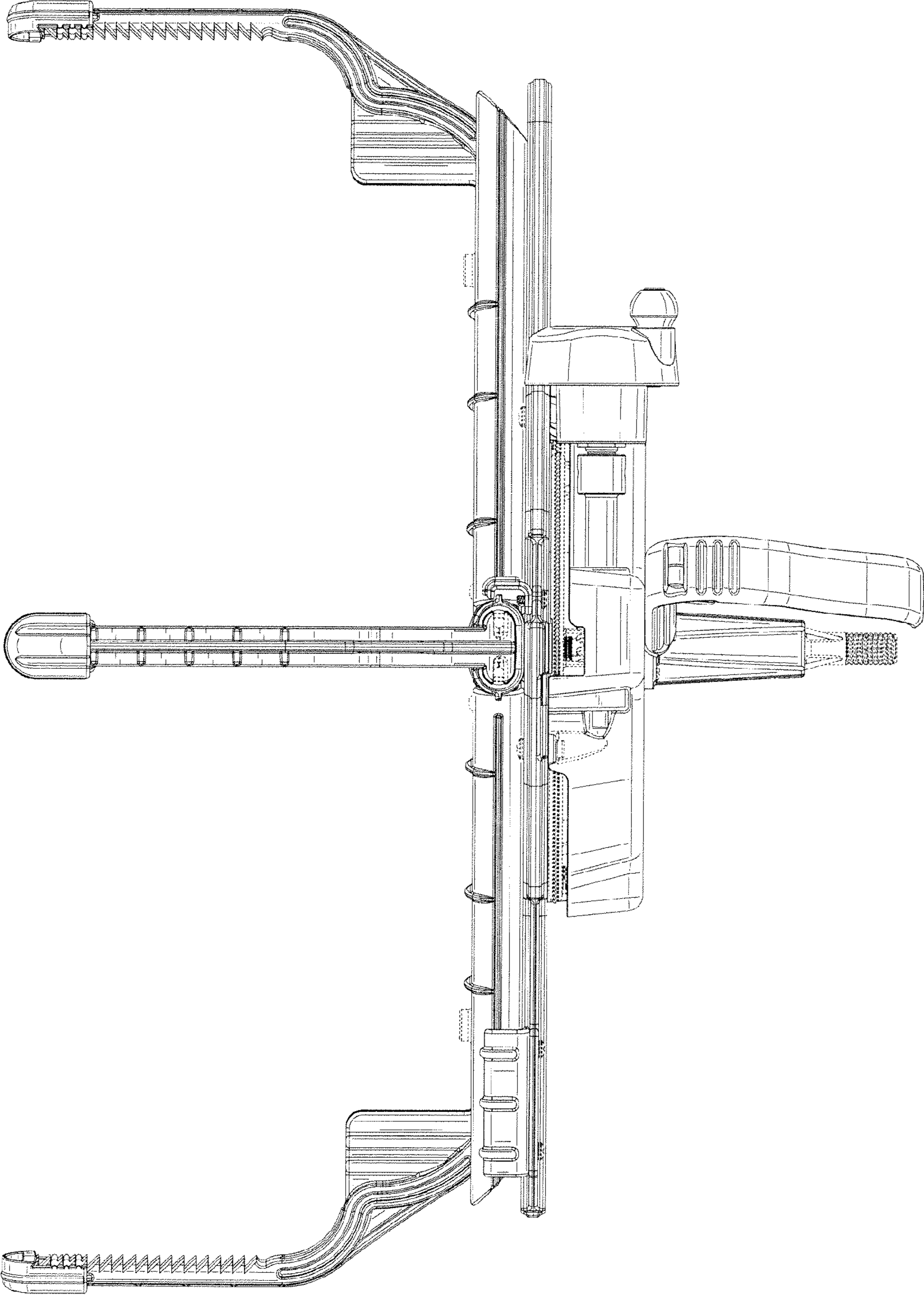


FIG. 6



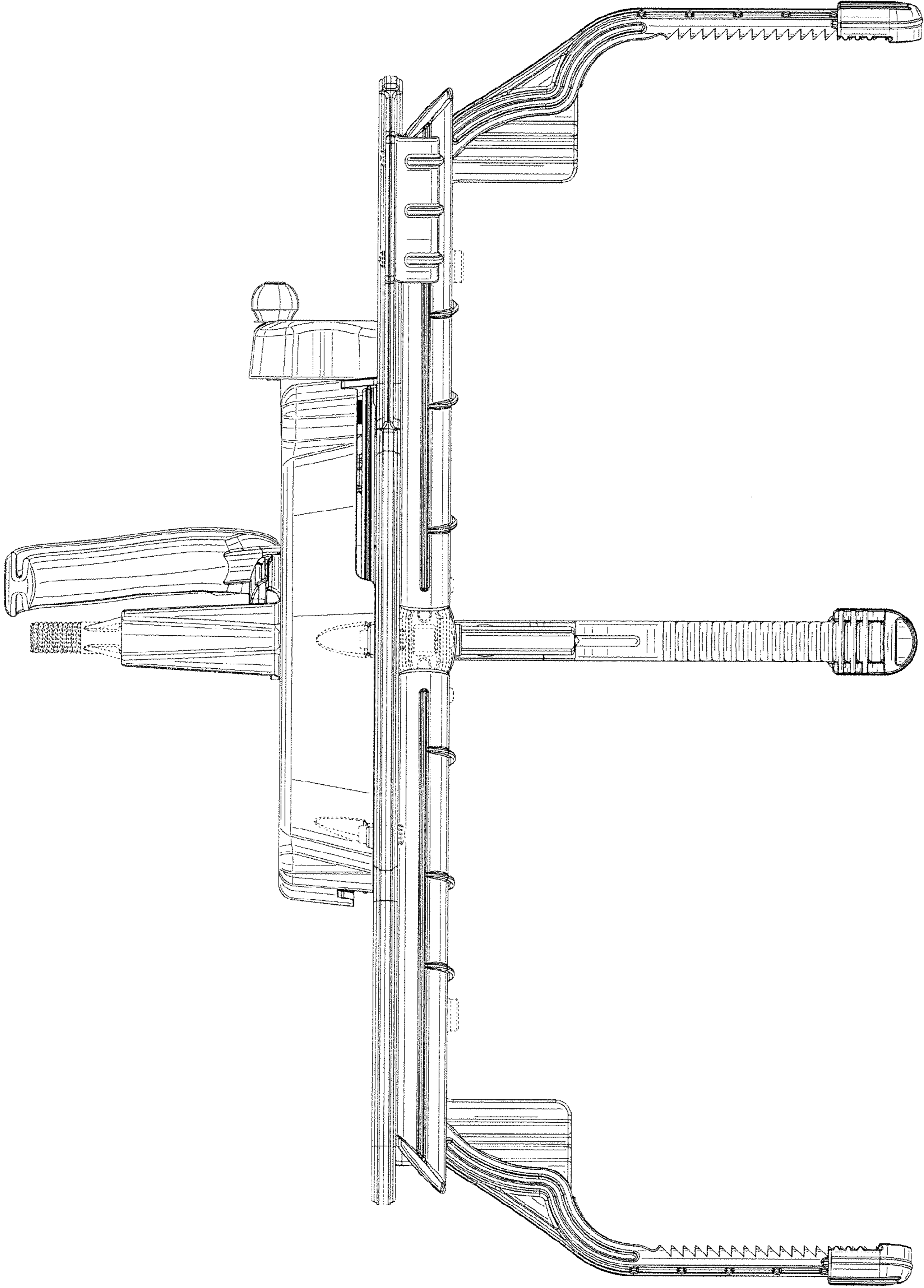


FIG. 7