



US00D738178S

(12) **United States Design Patent**
Eisinger

(10) **Patent No.:** **US D738,178 S**
(45) **Date of Patent:** **** Sep. 8, 2015**

- (54) **TOOL ADAPTOR PLATE**
- (71) Applicant: **Darren P. Eisinger**, Carpentersville, IL (US)
- (72) Inventor: **Darren P. Eisinger**, Carpentersville, IL (US)
- (73) Assignee: **Nomis LLC**, Palatine, IL (US)

5,725,038 A	3/1998	Tucker et al.	
5,983,968 A	11/1999	Newman	
6,305,447 B1	10/2001	Rousseau	
6,382,276 B1	5/2002	Daniels et al.	
D466,597 S *	12/2002	Carr	D23/329
D467,485 S	12/2002	Daniels et al.	
6,488,256 B1	12/2002	Chang	
6,520,224 B2	2/2003	Smith	
6,520,227 B2	2/2003	McFarlin, Jr. et al.	
7,066,695 B1	6/2006	Nuss	
7,077,734 B2 *	7/2006	Tiede et al.	451/357

(**) Term: **14 Years**

(Continued)

(21) Appl. No.: **29/491,116**

FOREIGN PATENT DOCUMENTS

(22) Filed: **May 16, 2014**

DE	202008014100 U1	2/2009
EP	0469344 A1	2/1992

(51) **LOC (10) Cl.** **08-03**

(Continued)

(52) **U.S. Cl.**
USPC **D8/70**

(58) **Field of Classification Search**
USPC D8/70, 71, 74; D15/140; 108/115, 127, 108/161, 173; 144/48.6, 135.2, 136.95, 144/154.5; 248/149, 168, 169, 177.1, 188; 297/156, 188.2, 188.21
CPC B25F 5/021; B25F 5/029; B27C 5/10
See application file for complete search history.

Primary Examiner — Philip S Hyder

Assistant Examiner — Darlington Ly

(74) *Attorney, Agent, or Firm* — Reinhart Boerner & Van Deuren P.C.

(57) **CLAIM**

I claim the ornamental design for the tool adaptor plate, as shown and described.

(56) **References Cited**

DESCRIPTION

U.S. PATENT DOCUMENTS

4,044,805 A	8/1977	Gronholz	
4,197,887 A	4/1980	Groves	
4,291,735 A	9/1981	Silken	
4,718,468 A	1/1988	Cowman	
4,977,938 A	12/1990	Greeson	
D315,667 S *	3/1991	Johnson	D8/354
D327,111 S *	6/1992	Hemming	D22/140
5,117,879 A	6/1992	Payne	
5,139,065 A *	8/1992	Stark	144/371
D339,814 S	9/1993	Pepper	
5,289,861 A	3/1994	Hedrick	
5,308,201 A	5/1994	Wilson et al.	
5,398,740 A	3/1995	Miller	
5,699,844 A	12/1997	Witt	

FIG. 1 is a top perspective view of the tool adaptor plate;

FIG. 2 is a bottom perspective view thereof;

FIG. 3 is a front elevation view thereof;

FIG. 4 is a rear elevation view thereof;

FIG. 5 is a side elevation view thereof;

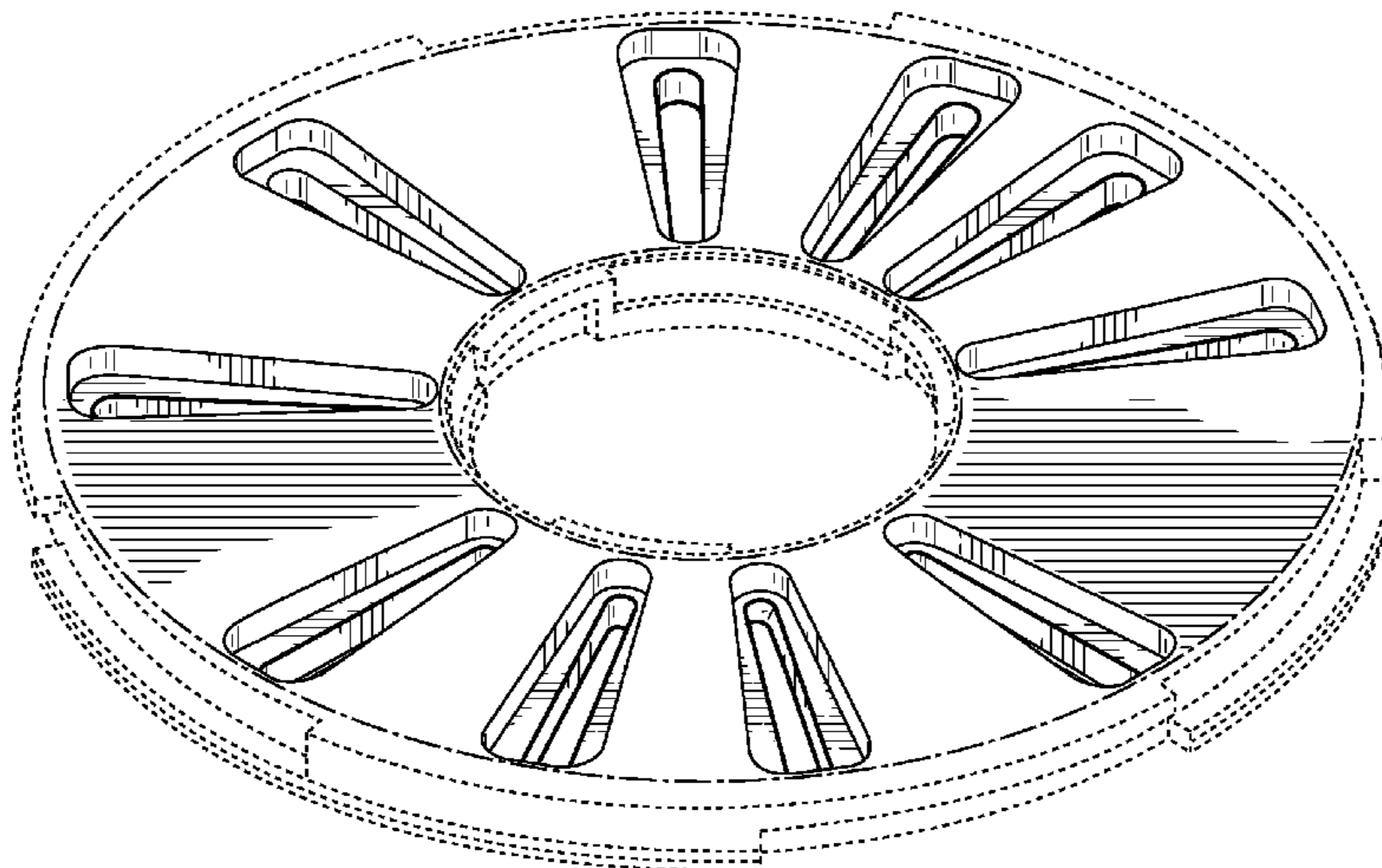
FIG. 6 is an opposing side elevation view thereof;

FIG. 7 is a top plan view thereof; and,

FIG. 8 is bottom plan view thereof.

The broken lines in dash-dot form indicate boundaries for the claimed design. All the broken lines shown in the drawings illustrate portions of the tool adaptor plate that forms no part of the claimed design.

1 Claim, 6 Drawing Sheets



(56)

References Cited

U.S. PATENT DOCUMENTS

7,089,978 B2 8/2006 Karkosch et al.
 7,409,973 B2 8/2008 Hyde
 D612,874 S 3/2010 Nilsson et al.
 D619,152 S * 7/2010 Evatt et al. D15/138
 D623,034 S * 9/2010 Evatt et al. D8/70
 D626,977 S * 11/2010 Popov D15/126
 D626,978 S * 11/2010 Huh D15/126
 D645,319 S * 9/2011 Hamm et al. D8/70
 D646,542 S * 10/2011 Wackwitz D8/70
 D653,523 S * 2/2012 Wackwitz et al. D8/354
 D665,242 S * 8/2012 Wackwitz D8/70
 D682,651 S * 5/2013 McRoberts et al. D8/70
 8,616,562 B2 * 12/2013 Maras 279/143
 D714,119 S * 9/2014 Graber D8/70
 8,827,278 B2 * 9/2014 Chen et al. 279/141

D719,199 S * 12/2014 Kurusu D15/138
 D719,591 S * 12/2014 Kurusu D15/138
 8,915,499 B2 * 12/2014 Kaye et al. 279/141
 2003/0113180 A1 6/2003 Schelberg et al.
 2004/0182476 A1 * 9/2004 Karkosch et al. 144/136.95
 2009/0083916 A1 * 4/2009 Lampka et al. 15/3.53
 2010/0052269 A1 * 3/2010 Zaiser et al. 279/144
 2014/0060702 A1 3/2014 Adkins et al.

FOREIGN PATENT DOCUMENTS

EP 0469538 A1 2/1992
 EP 0545142 A1 6/1993
 EP 546376 B1 2/1997
 EP 1886777 2/2008
 WO WO 90/03248 A1 4/1990

* cited by examiner

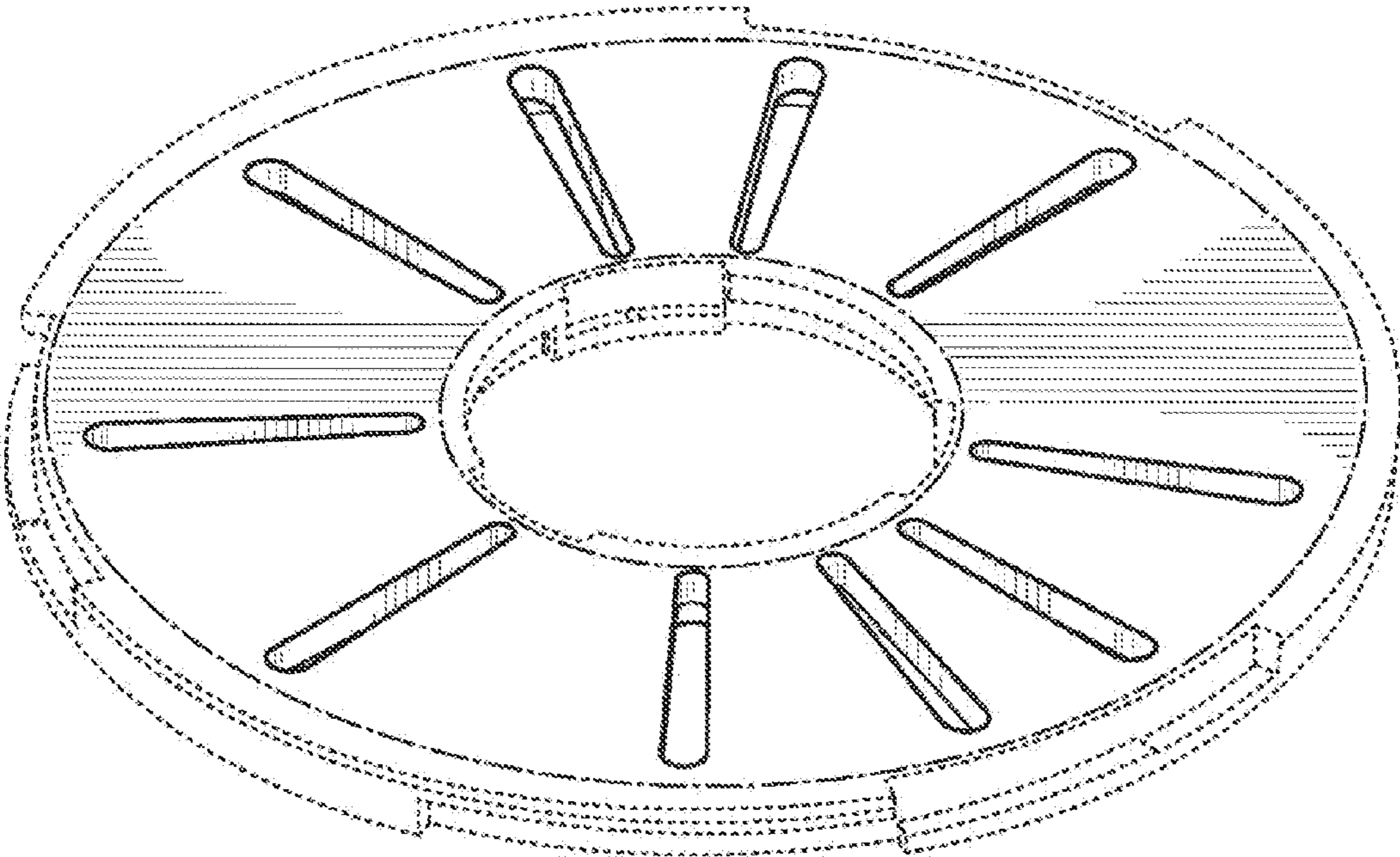


FIG. 1

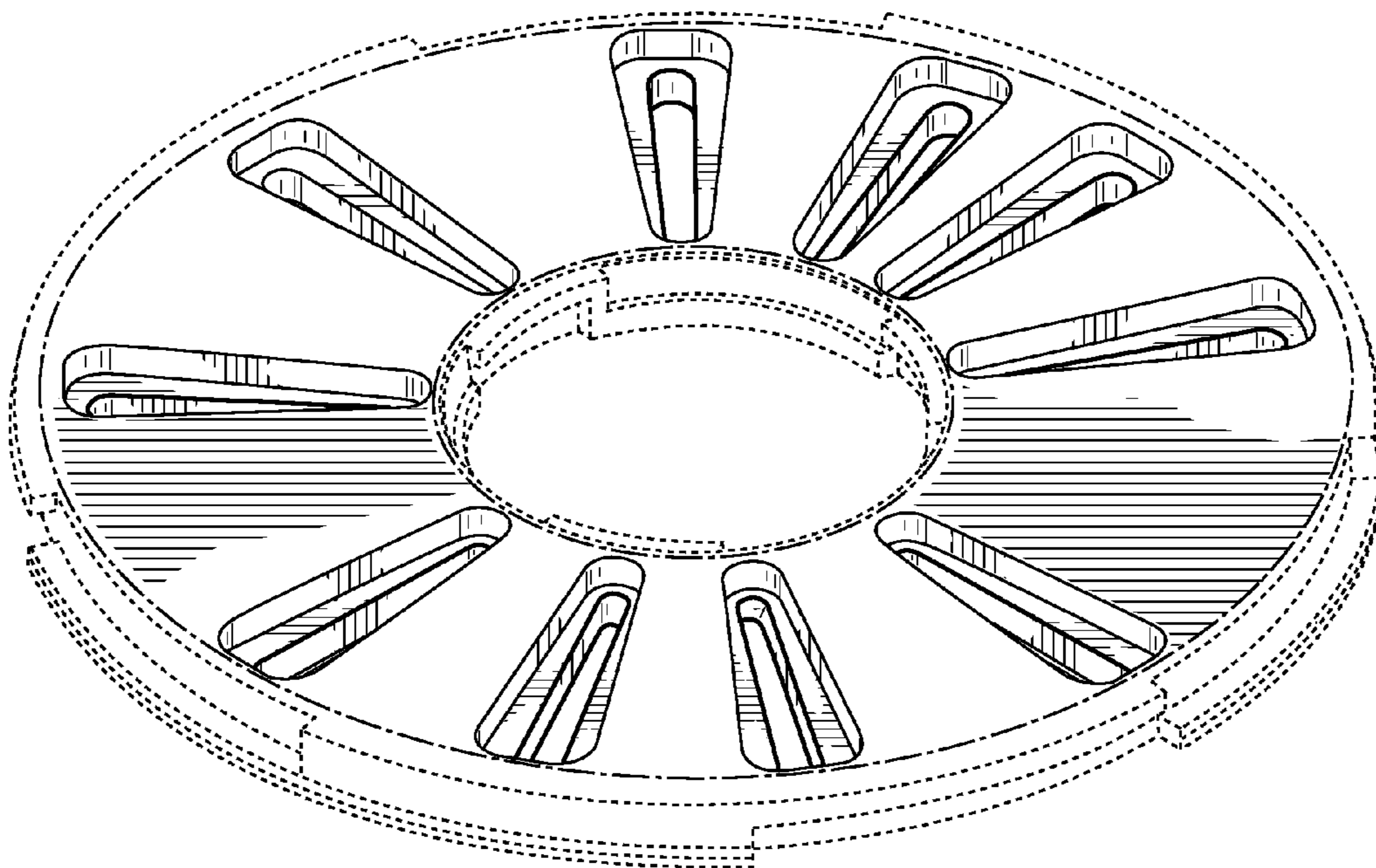


FIG. 2



FIG. 3



FIG. 4

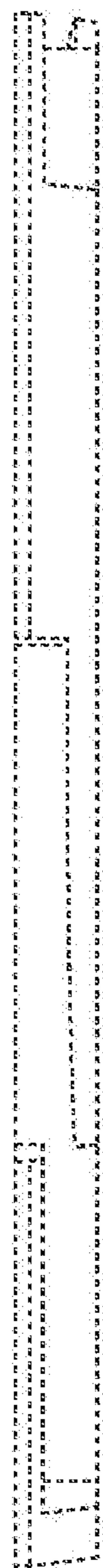


FIG. 5

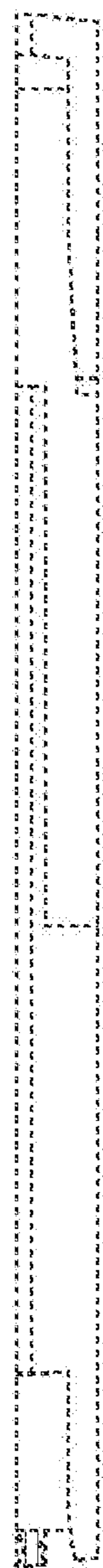


FIG. 6

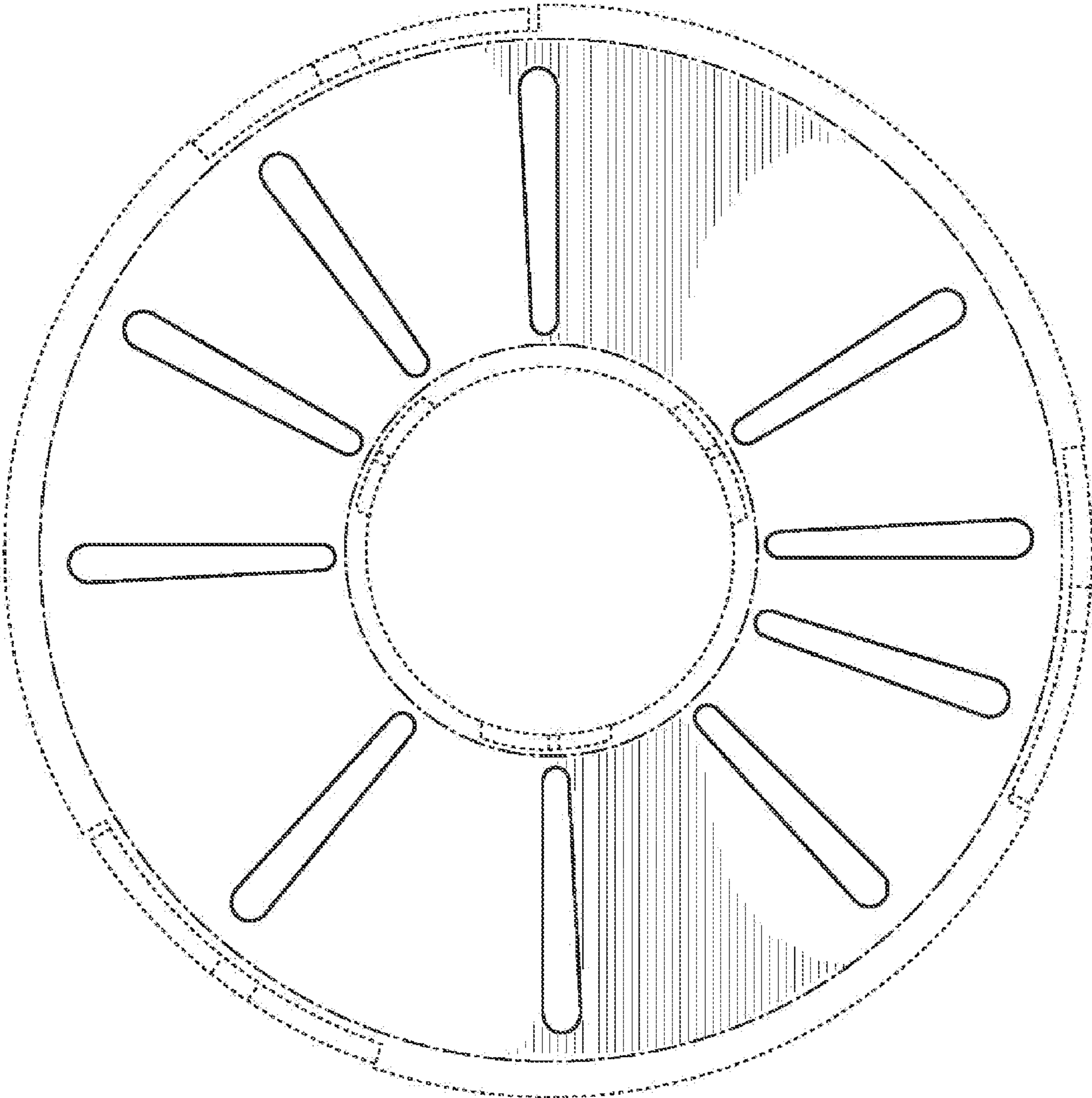


FIG. 7

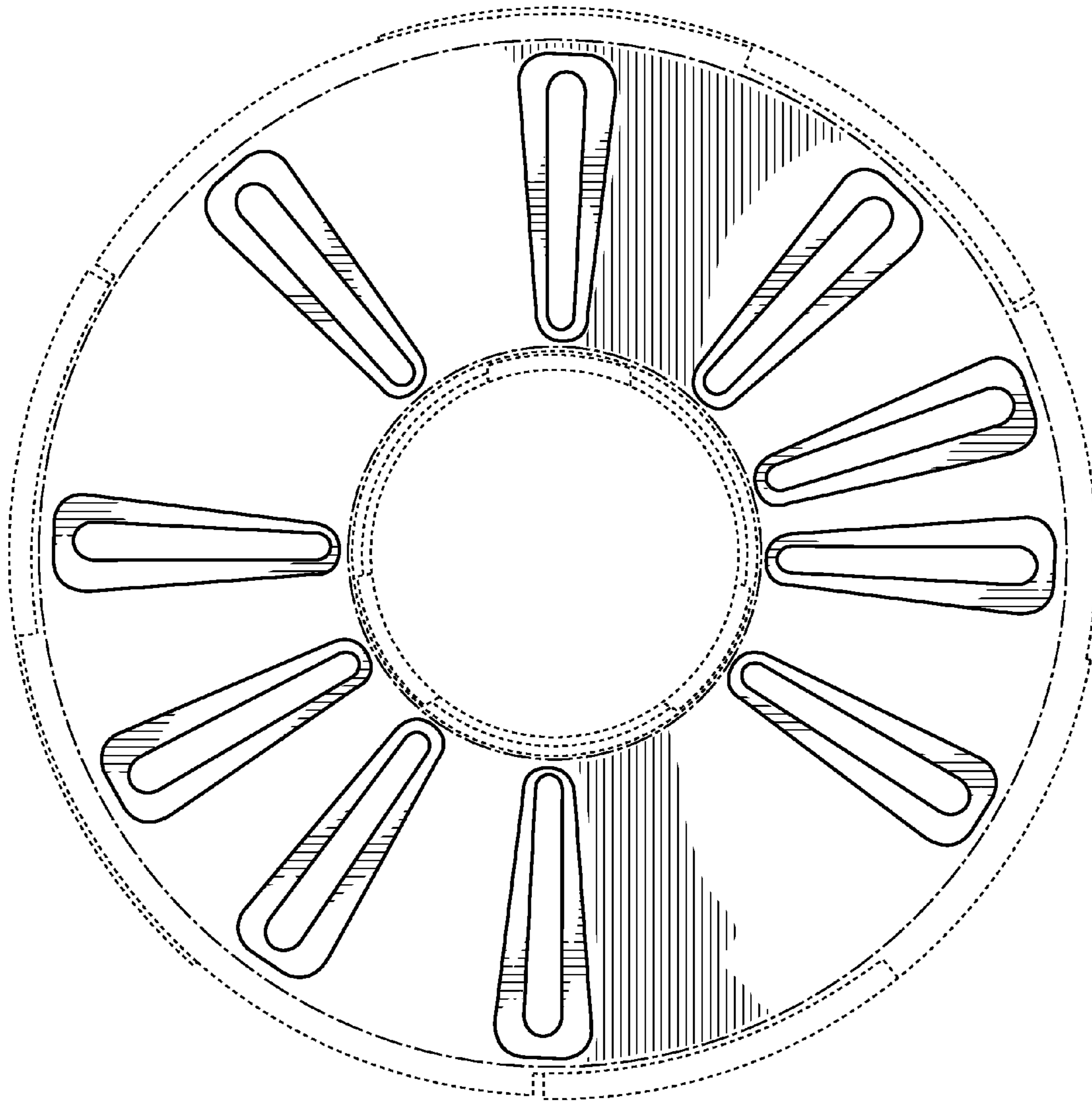


FIG. 8