

US00D738177S

(12) **United States Design Patent**  
**Finnas**

(10) **Patent No.:** **US D738,177 S**  
(45) **Date of Patent:** **\*\* Sep. 8, 2015**

(54) **BACKING PAD**

- (71) Applicant: **Stig Finnas**, Sundby (FI)
- (72) Inventor: **Stig Finnas**, Sundby (FI)
- (73) Assignee: **KWH MIRKA LTD**, Jeppo (FI)
- (\*\*) Term: **14 Years**
- (21) Appl. No.: **29/477,151**
- (22) Filed: **Dec. 19, 2013**

**Related U.S. Application Data**

- (62) Division of application No. 29/440,009, filed on Dec. 18, 2012.

(30) **Foreign Application Priority Data**

- Oct. 31, 2012 (EM) ..... 001350235-0001
- Oct. 31, 2012 (EM) ..... 001350235-0002

(51) **LOC (10) Cl.** ..... **08-05**

(52) **U.S. Cl.**  
USPC ..... **D8/70**

(58) **Field of Classification Search**

USPC ..... D8/20, 61, 62, 63, 70; D15/124, 125, D15/126, 132, 138, 139, 140; 30/307, 347, 30/355, 388, 389, 390; 51/296; 83/663, 83/676, 835; 125/15, 18; 451/259, 359, 451/420, 490, 510, 540, 541, 542, 548, 550

See application file for complete search history.

(56) **References Cited**

U.S. PATENT DOCUMENTS

6,206,771	B1 *	3/2001	Lehman	.....	451/357
6,361,424	B1 *	3/2002	Manor et al.	.....	451/490
D467,485	S *	12/2002	Daniels et al.	.....	D8/70
D503,602	S *	4/2005	Hede	.....	D8/70
D506,376	S *	6/2005	Hede	.....	D8/70
D509,121	S *	9/2005	Hede	.....	D8/70
D559,063	S *	1/2008	Okamoto et al.	.....	D8/70
D568,134	S *	5/2008	Umbrell	.....	D8/70
D591,133	S *	4/2009	Umbrell	.....	D8/70
D657,404	S *	4/2012	Brandstetter	.....	D15/126
D678,745	S *	3/2013	Nguyen	.....	D8/70
D687,471	S *	8/2013	Fu et al.	.....	D15/126
D689,913	S *	9/2013	Fu et al.	.....	D15/126

\* cited by examiner

*Primary Examiner* — Philip S Hyder

*Assistant Examiner* — Darlington Ly

(74) *Attorney, Agent, or Firm* — Nath, Goldberg & Meyer; Jerald L. Meyer

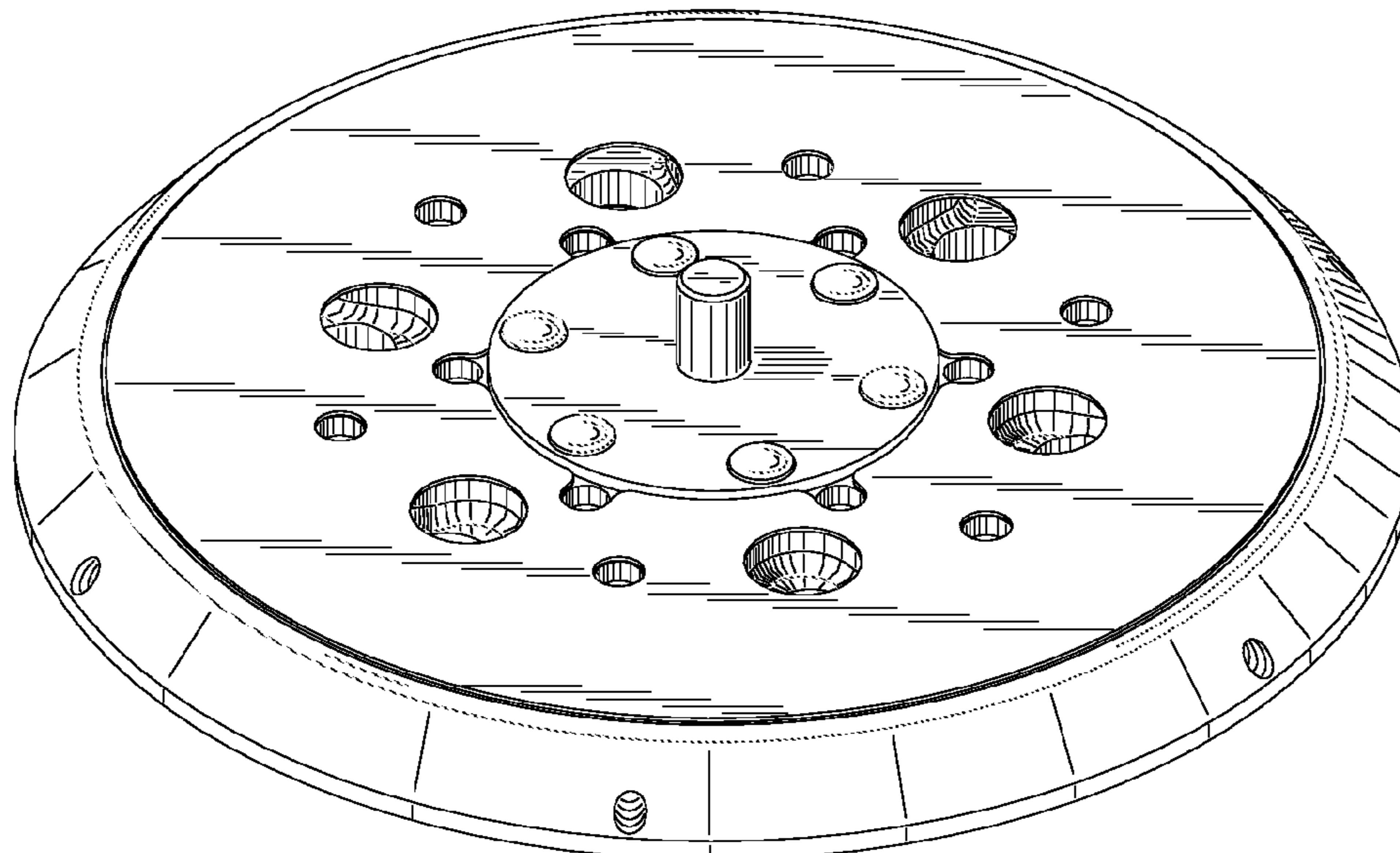
(57) **CLAIM**

The ornamental design for a backing pad, as shown and described.

**DESCRIPTION**

FIG. 1 is a top perspective view of a backing pad showing my new design;  
FIG. 2 is bottom plan view thereof;  
FIG. 3 is a top plan view thereof;  
FIG. 4 is a side elevation view thereof;  
FIG. 5 is an opposing side elevation view thereof; and,  
FIG. 6 is a bottom perspective view thereof.

**1 Claim, 4 Drawing Sheets**



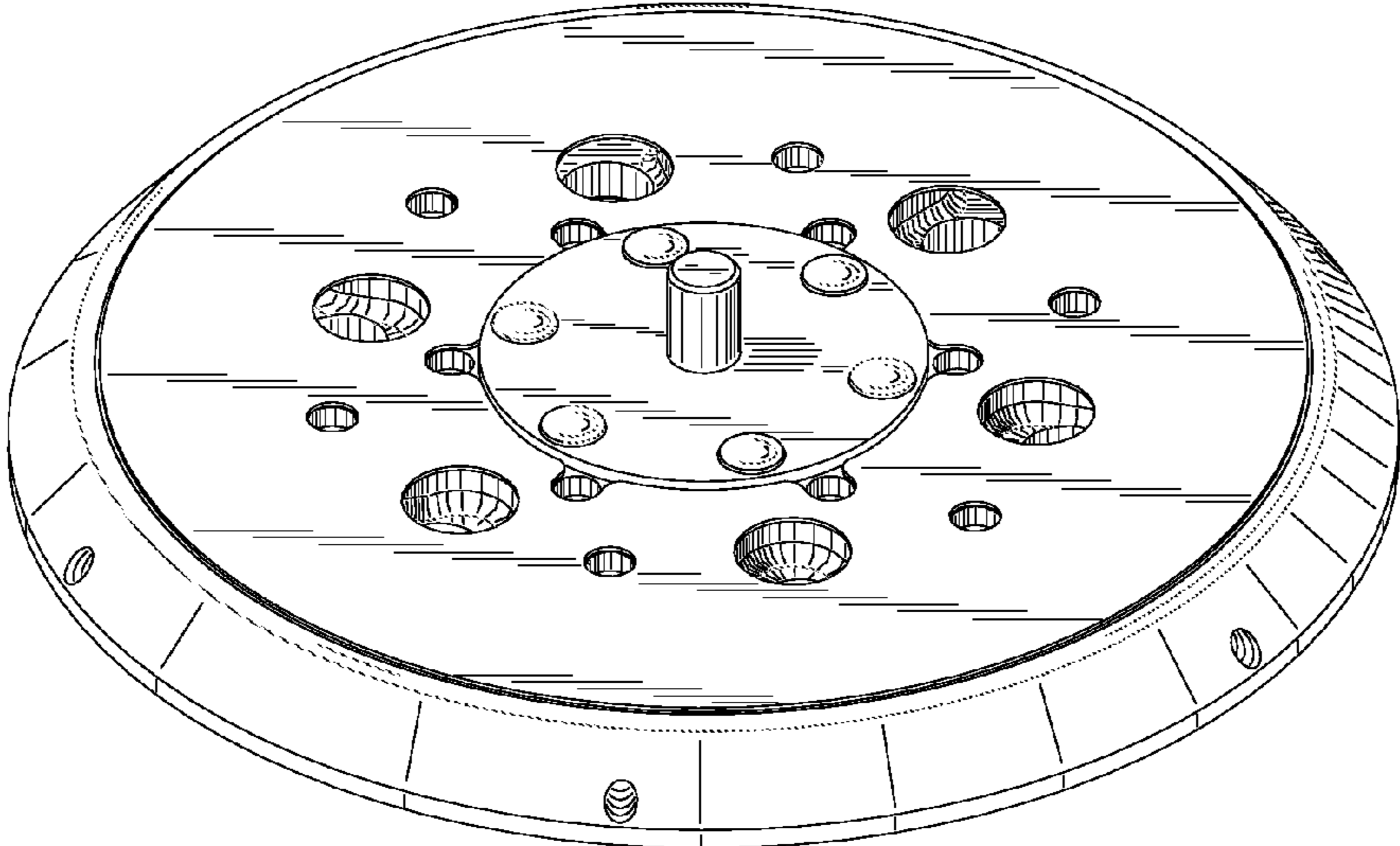


Fig. 1

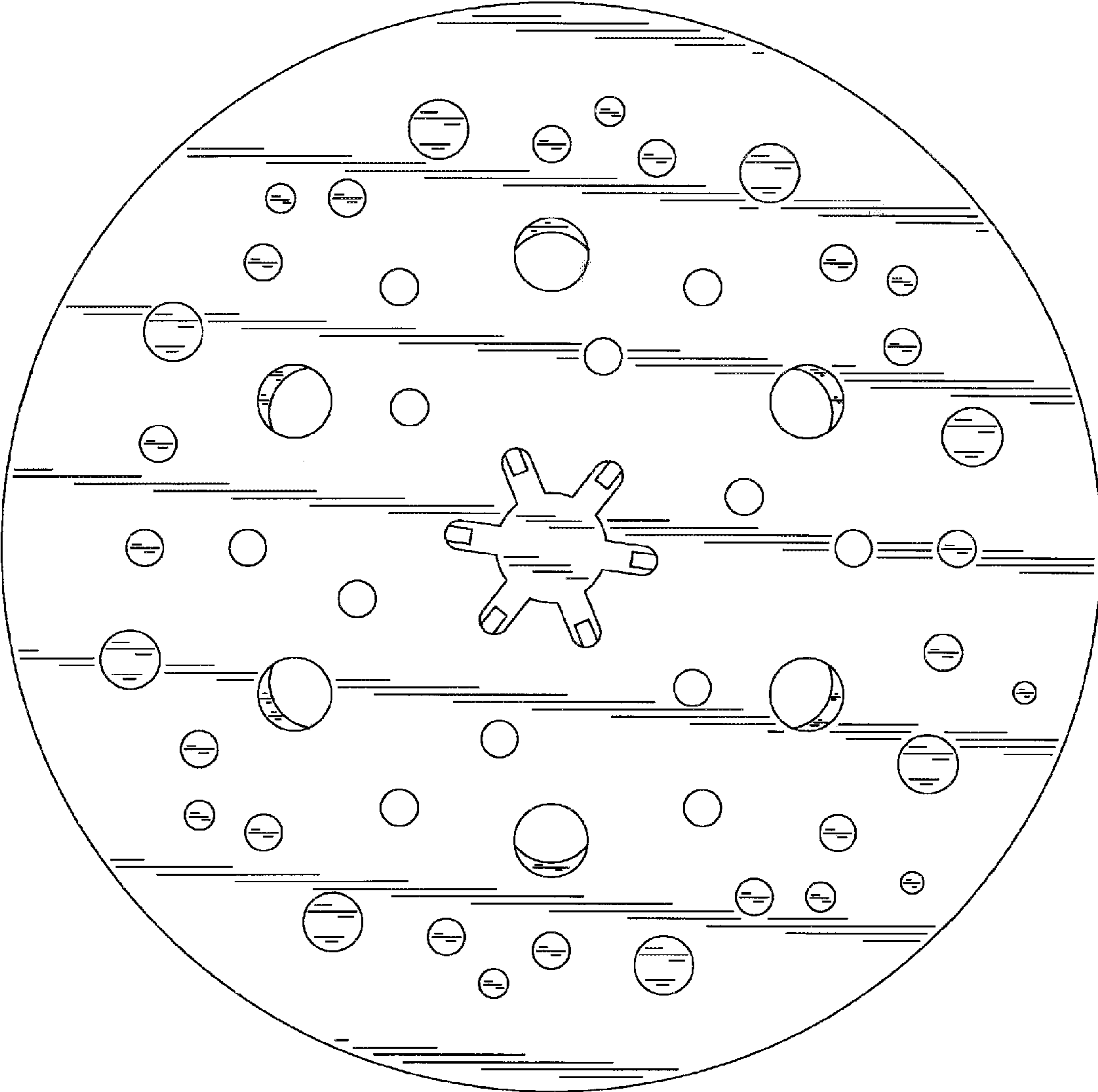


Fig. 2

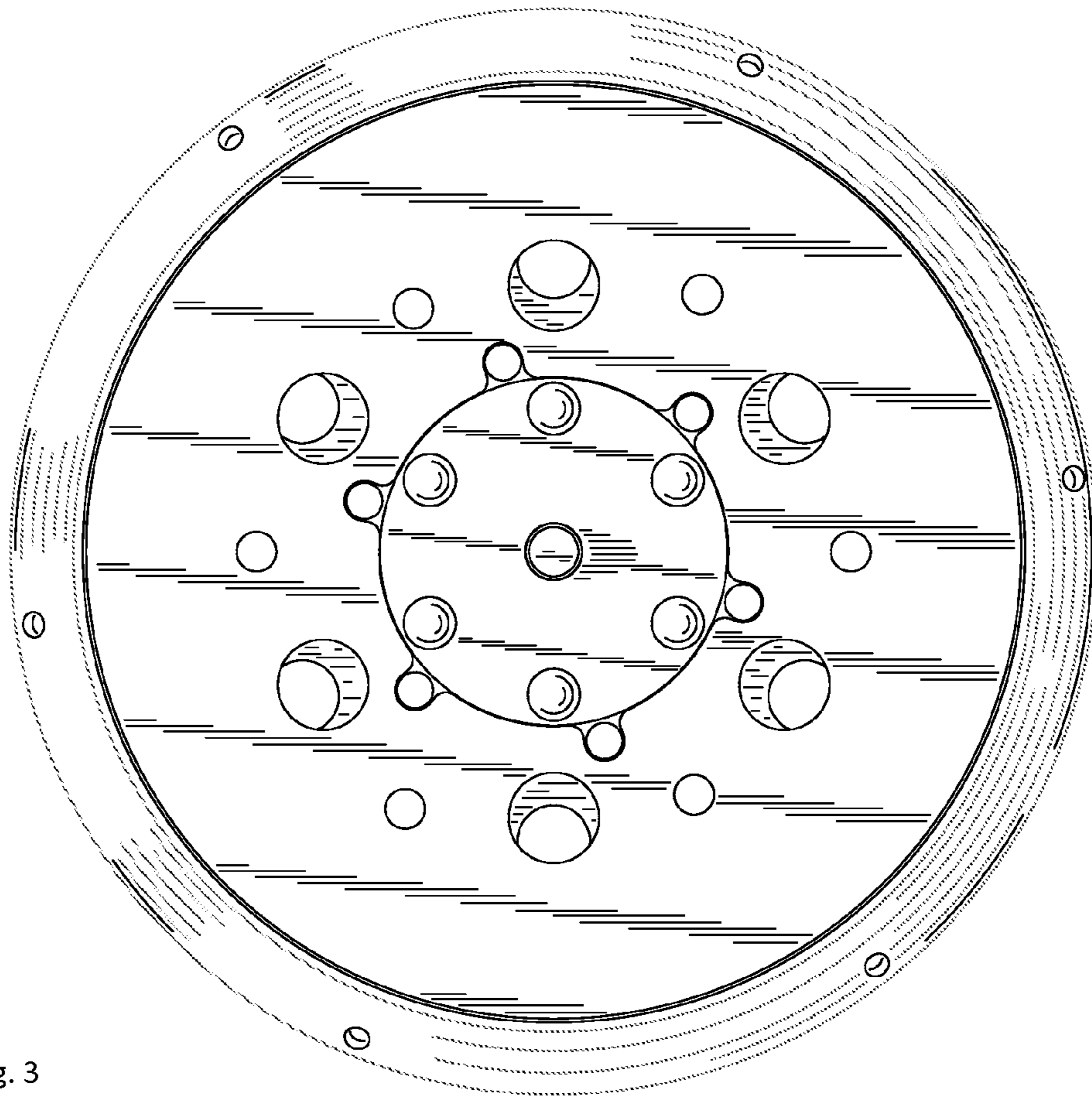


Fig. 3

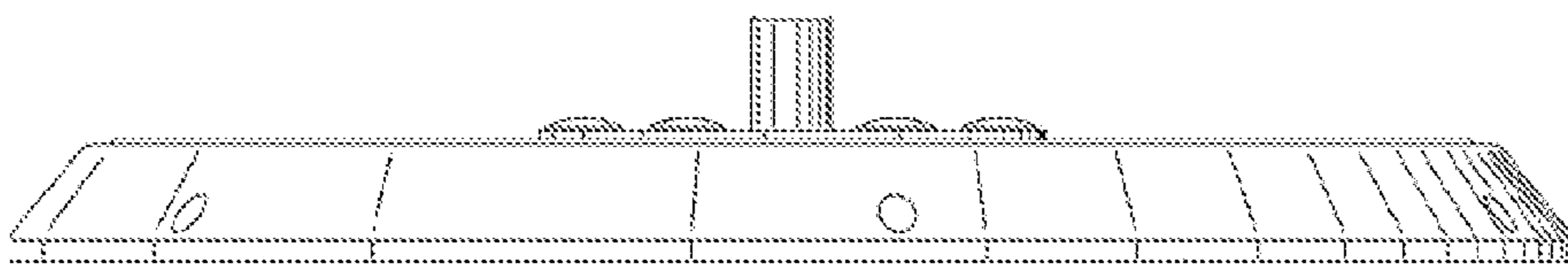


Fig. 4

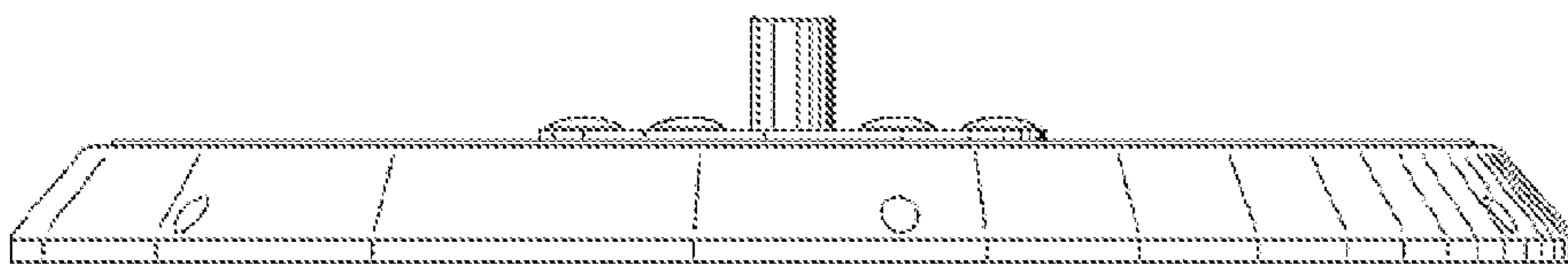


Fig. 5



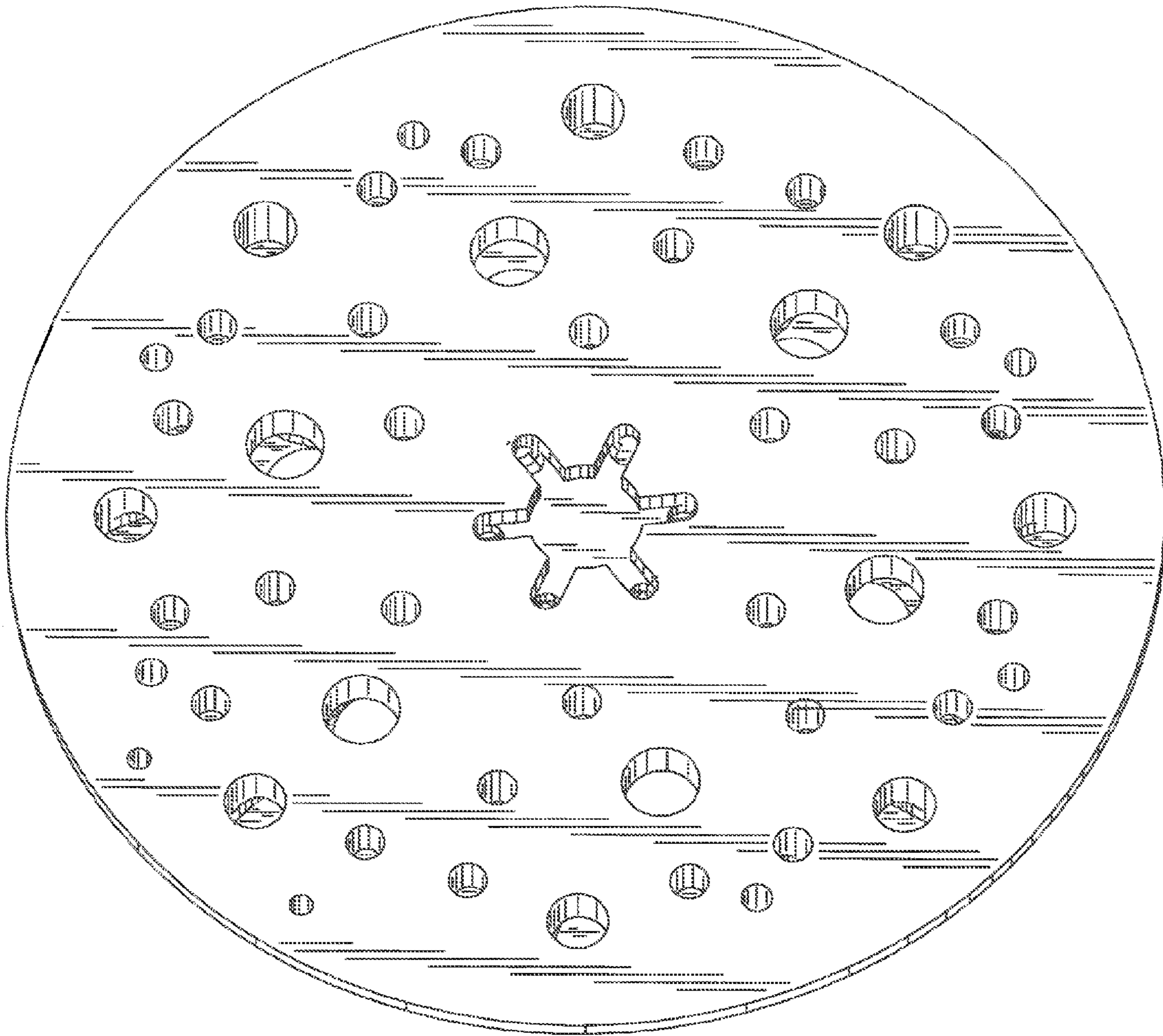


Fig. 6