



US00D738175S

(12) **United States Design Patent**
Tinius

(10) **Patent No.:** **US D738,175 S**
(45) **Date of Patent:** **** Sep. 8, 2015**

- (54) **BATTERY POWERED CHAINSAW**
- (71) Applicant: **Andreas Stihl AG & Co. KG**,
Waiblingen (DE)
- (72) Inventor: **Michael Tinius**, Ulm (DE)
- (73) Assignee: **Andreas Stihl AG & Co. KG**,
Waiblingen (DE)

D576,005	S	*	9/2008	Shimokawa et al.	D8/65
D577,557	S	*	9/2008	Shimokawa et al.	D8/65
D580,724	S	*	11/2008	Tinius	D8/65
D606,829	S	*	12/2009	Tinius	D8/65
D607,293	S	*	1/2010	Tinius	D8/65
D633,353	S	*	3/2011	Tinius	D8/65
D651,061	S	*	12/2011	Tinius	D8/65
D668,923	S	*	10/2012	Tinius	D8/65
D701,102	S	*	3/2014	Itoh et al.	D8/65
2002/0129502	A1	*	9/2002	Durr et al.	30/381

* cited by examiner

(**) Term: **14 Years**

(21) Appl. No.: **29/472,403**

(22) Filed: **Nov. 12, 2013**

(30) **Foreign Application Priority Data**

Aug. 21, 2013 (EM) 002294538-0003

(51) **LOC (10) Cl.** **08-03**

(52) **U.S. Cl.**
USPC **D8/65**

(58) **Field of Classification Search**
USPC D8/65, 7, 8, 9, 70, 66, 67, 62, 63, 64,
D8/61, 91; 30/386, 383, 382, 371, 123,
30/381; 125/21; D21/532; 83/832, 833,
83/834; 123/185.3
CPC B23D 57/02; B23D 57/023; B23D 59/007;
B27B 33/02; B27B 33/14; B27B 33/145;
B27B 1/002; F02N 3/02
See application file for complete search history.

(56) **References Cited**

U.S. PATENT DOCUMENTS

D377,441	S	*	1/1997	Hoppner et al.	D8/65
D549,537	S	*	8/2007	Harada et al.	D8/65
D573,860	S	*	7/2008	Shimokawa et al.	D8/65

Primary Examiner — Austin Murphy

(74) *Attorney, Agent, or Firm* — McGuireWoods LLP

(57) **CLAIM**

I claim the ornamental design for a battery powered chainsaw, as shown and described.

DESCRIPTION

FIG. 1 is a right-rear perspective view of the battery powered chainsaw;

FIG. 2 is a front view of the battery powered chainsaw shown in FIG. 1;

FIG. 3 is a rear view of the battery powered chainsaw shown in FIG. 1;

FIG. 4 is a left side view of the battery powered chainsaw shown in FIG. 1;

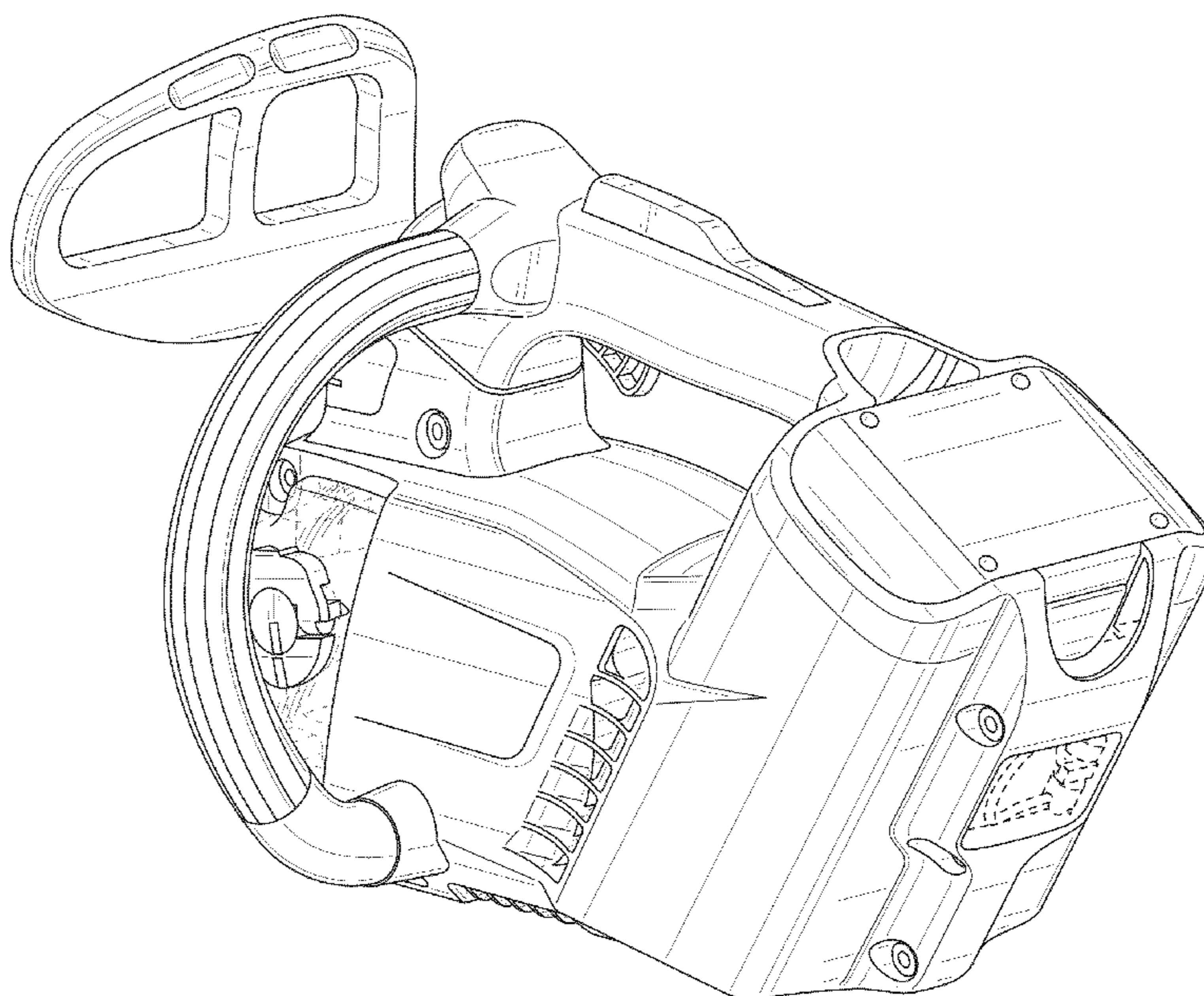
FIG. 5 is a right side of the battery powered chainsaw shown in FIG. 1;

FIG. 6 is a top view of the battery powered chainsaw shown in FIG. 1; and,

FIG. 7 is a bottom view of the battery powered chainsaw shown in FIG. 1.

The subject matter shown in dashed lines, and any surfaces of the design not shown, including interior surfaces, form no part of the claimed invention.

1 Claim, 7 Drawing Sheets



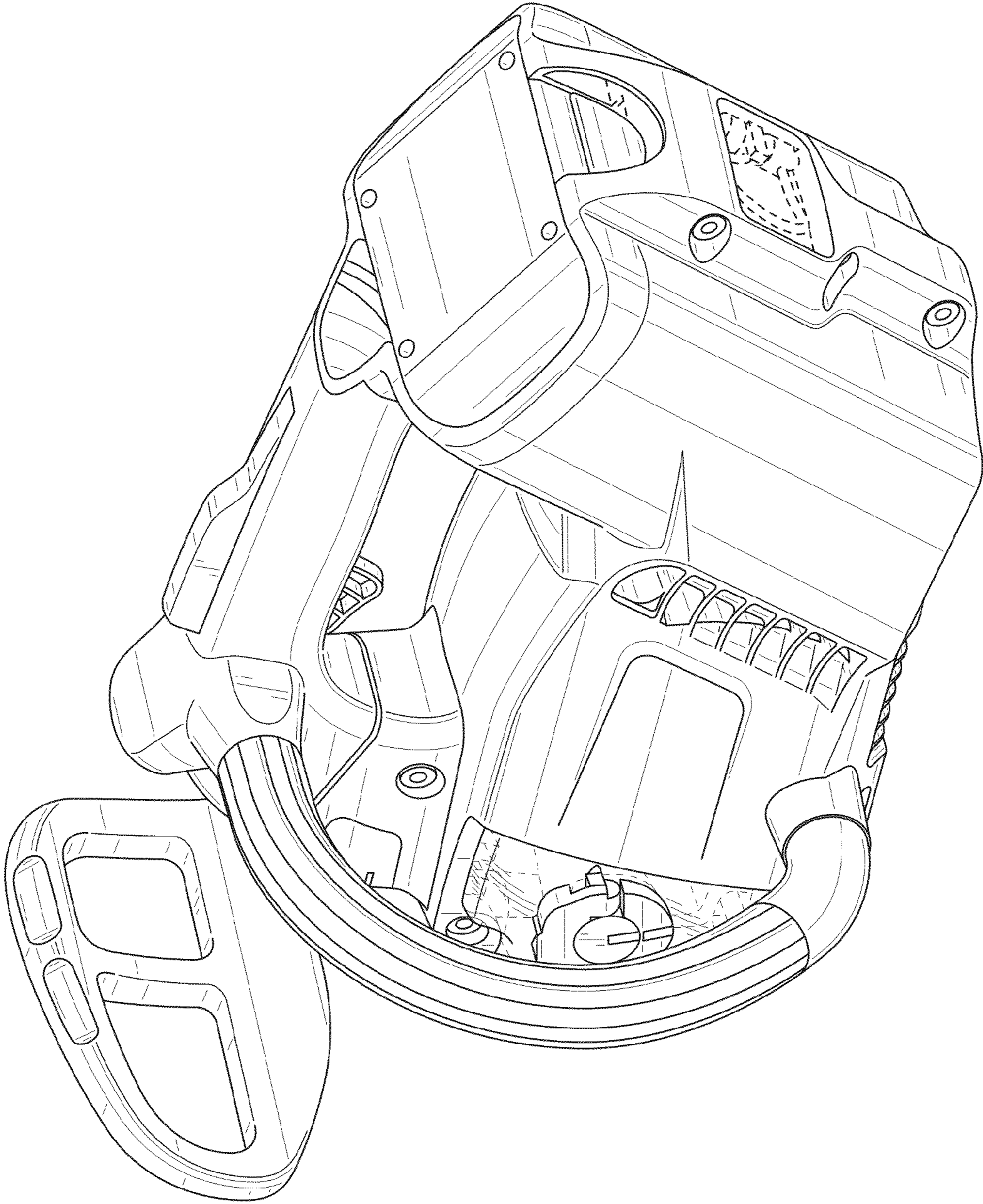


FIG. 1

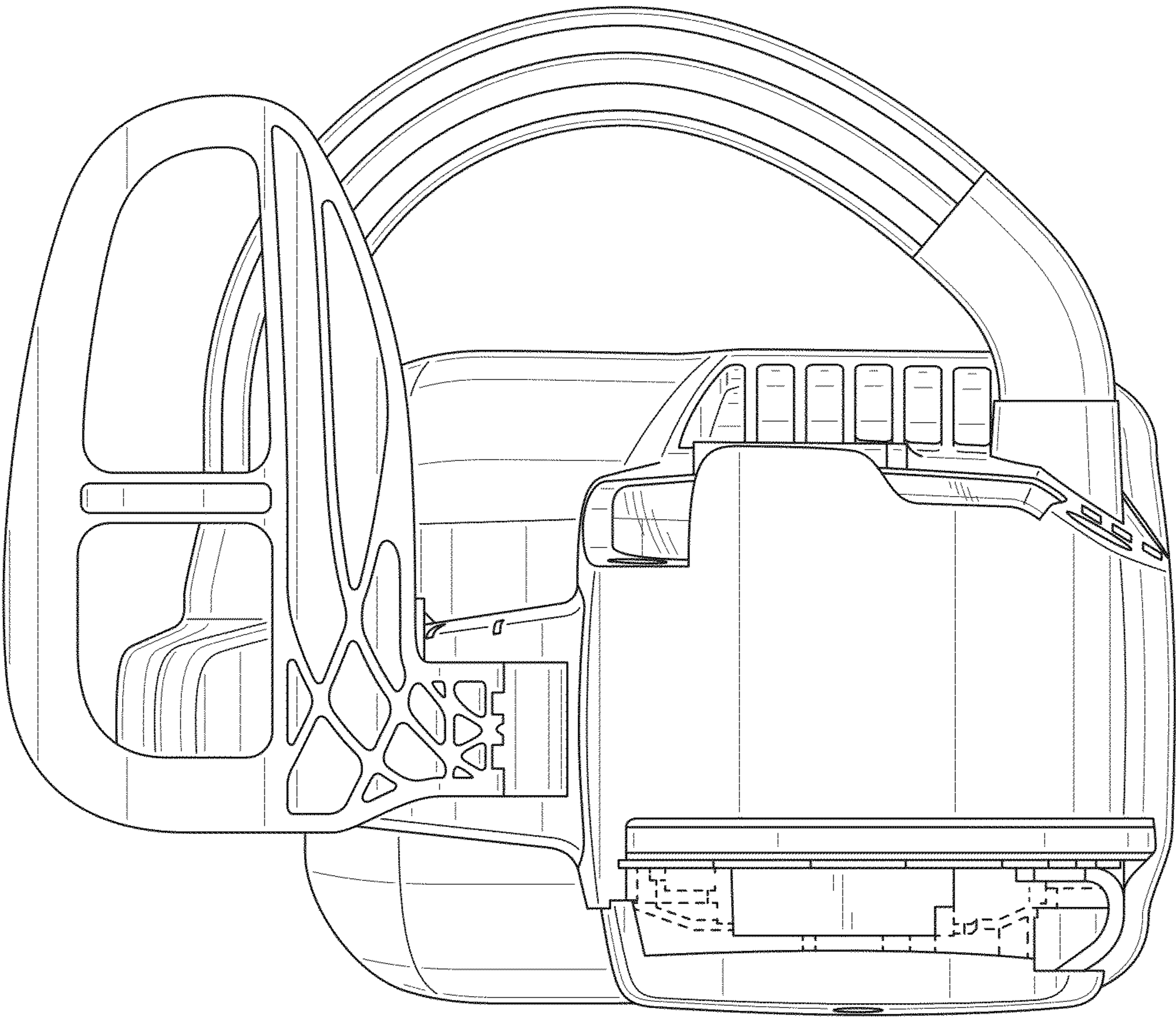


FIG. 2

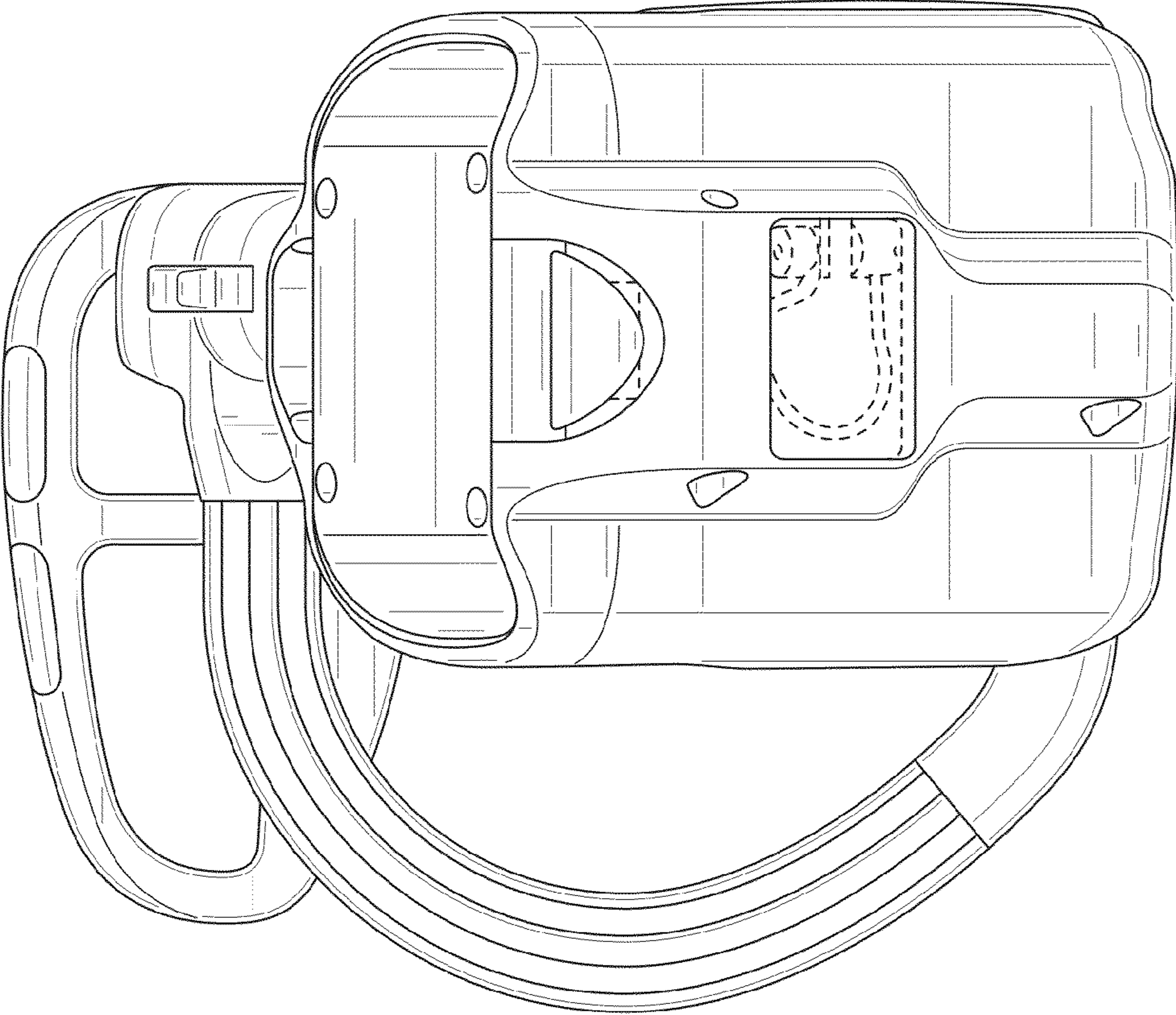


FIG. 3

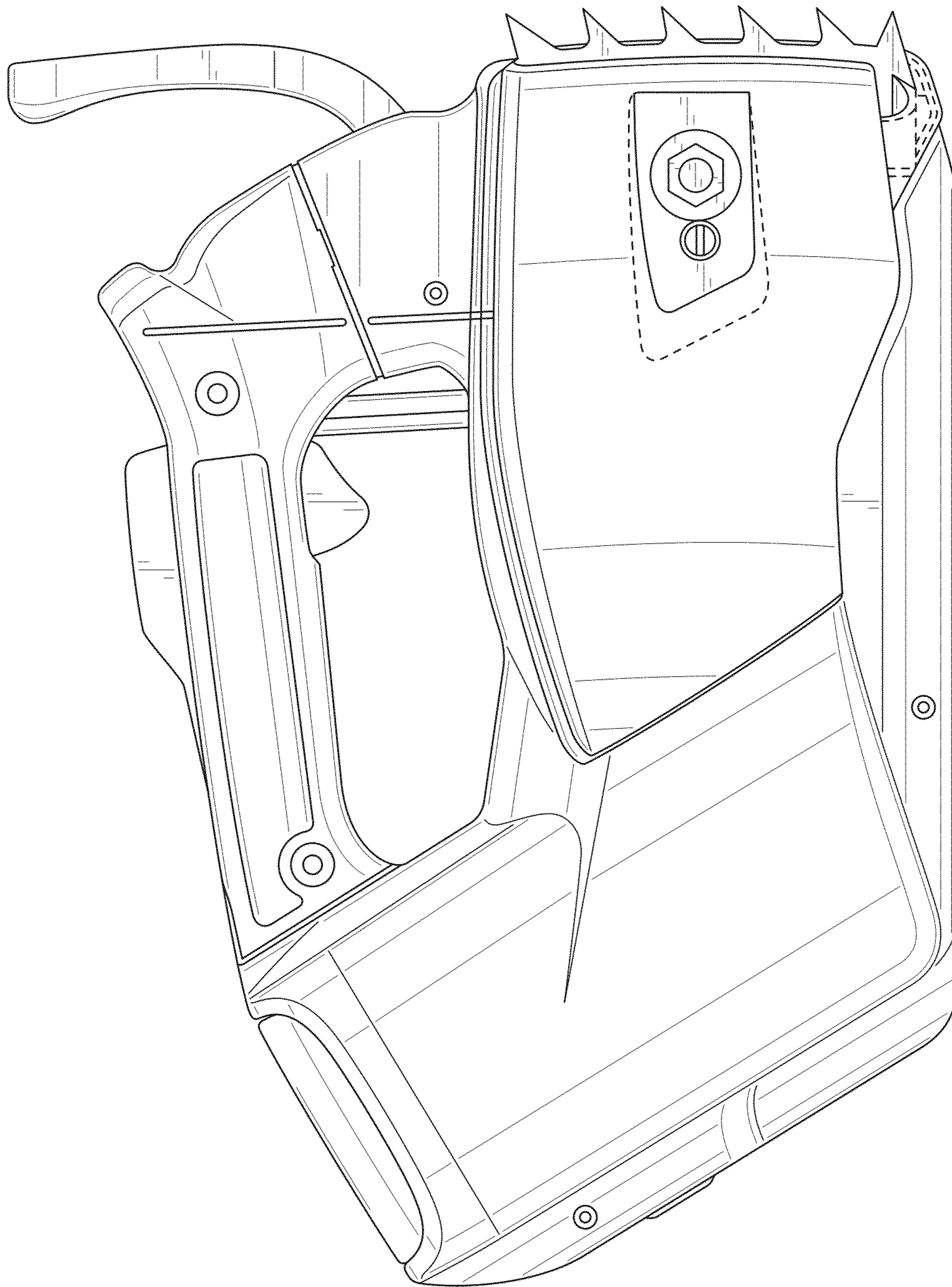


FIG. 4

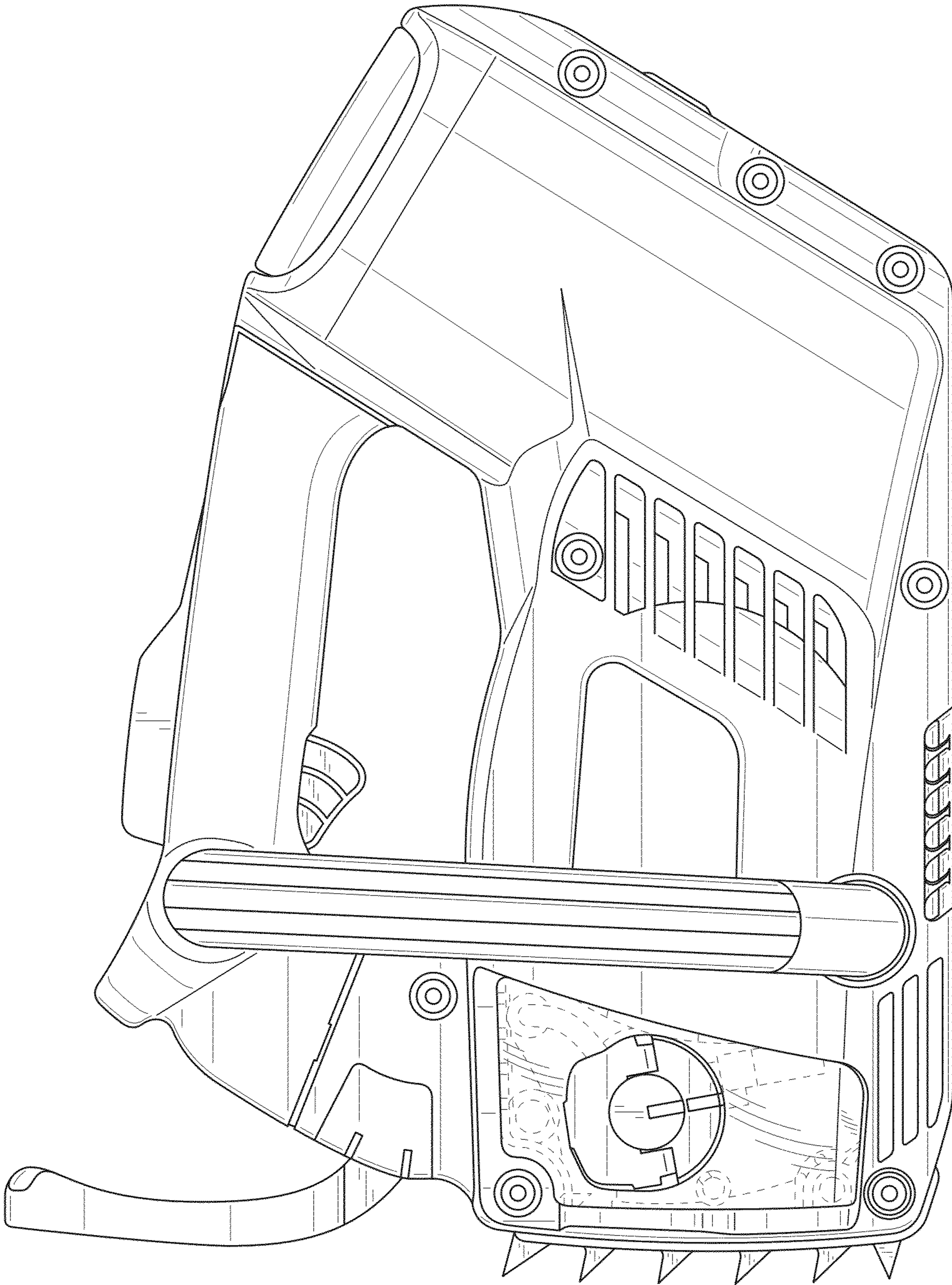


FIG. 5

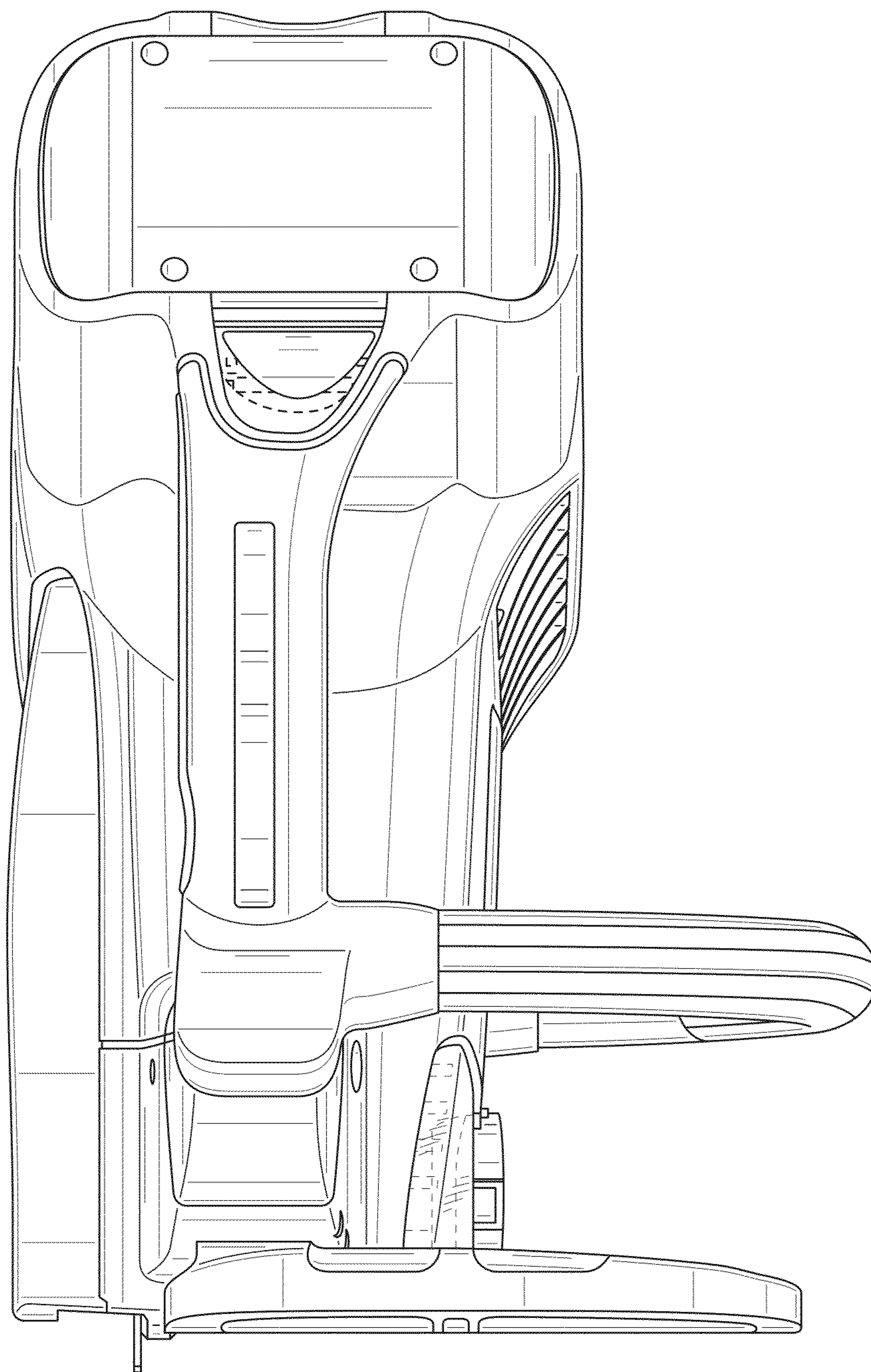


FIG. 6

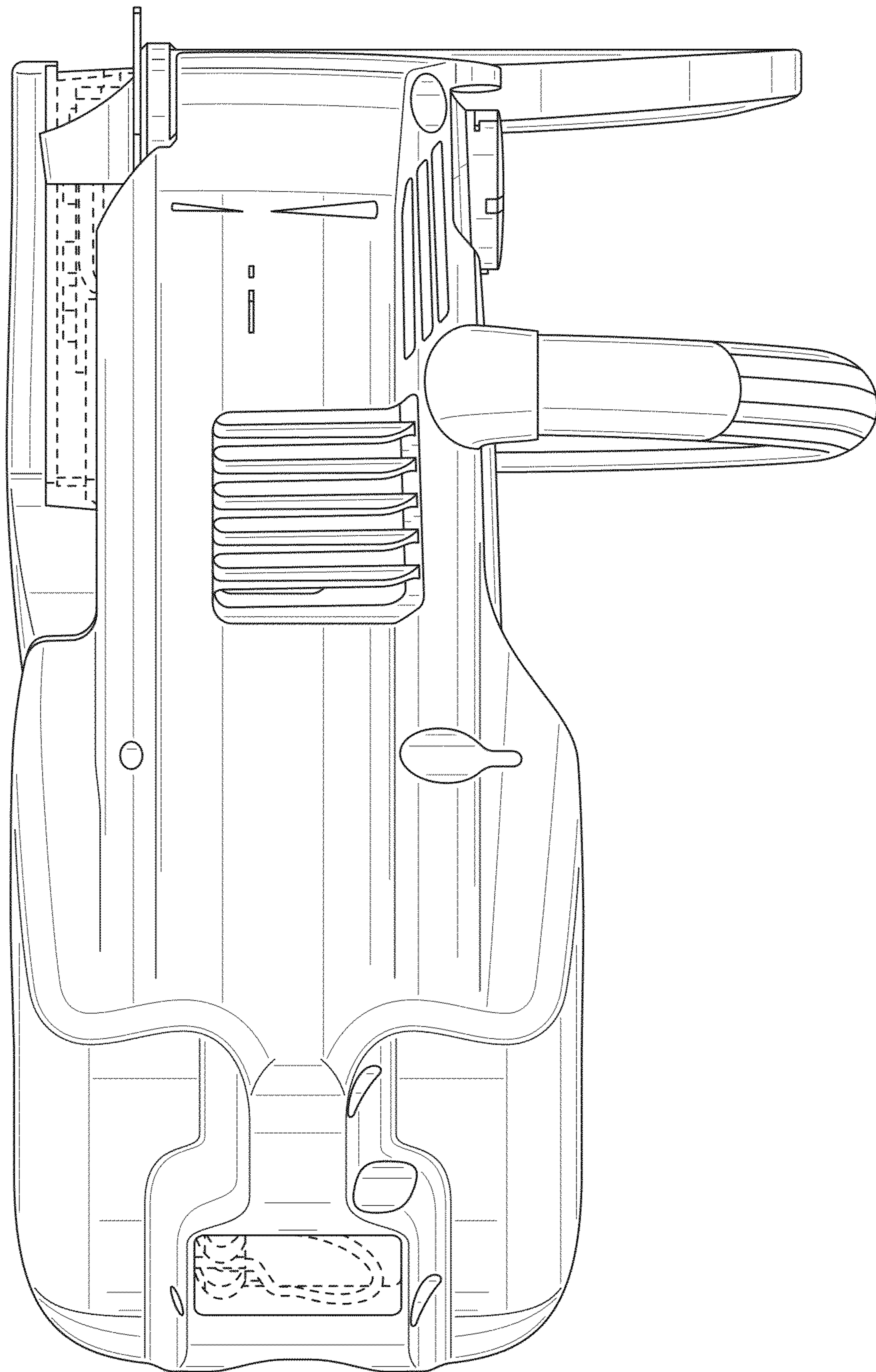


FIG. 7