



US00D738174S

(12) **United States Design Patent**
Engel et al.

(10) **Patent No.:** **US D738,174 S**
(45) **Date of Patent:** **** Sep. 8, 2015**

- (54) **LOCKING PLIERS**
- (71) Applicant: **A & E Incorporated**, Racine, WI (US)
- (72) Inventors: **Bruce J. Engel**, Milwaukee, WI (US);
Alyssa L. Albrecht, Hales Corner, WI (US)
- (73) Assignee: **A & E Incorporated**, Racine, WI (US)
- (**) Term: **14 Years**
- (21) Appl. No.: **29/488,936**
- (22) Filed: **Apr. 24, 2014**
- (51) **LOC (10) Cl.** **08-05**
- (52) **U.S. Cl.**
USPC **D8/52**
- (58) **Field of Classification Search**
USPC D8/4, 5, 51-58, 71, 72, 105-107;
29/229; 81/302, 338
CPC B25B 27/205; B25B 7/08; B25B 7/14;
B25B 7/18; Y10T 29/5363
See application file for complete search history.

| | | | | | |
|--------------|------|---------|------------------|-------|----------|
| 4,896,661 | A * | 1/1990 | Bogert et al. | | 606/86 R |
| 5,212,859 | A * | 5/1993 | Hagerty | | 29/229 |
| 6,134,993 | A * | 10/2000 | Tally | | 81/394 |
| 6,635,072 | B1 * | 10/2003 | Ramamurti et al. | | 606/208 |
| 6,736,031 | B1 * | 5/2004 | Kang | | 81/9.3 |
| 6,983,677 | B1 * | 1/2006 | Engel | | 81/302 |
| 7,007,357 | B2 * | 3/2006 | Nakamoto | | 29/229 |
| 7,194,936 | B2 * | 3/2007 | Engel et al. | | 81/302 |
| D545,155 | S * | 6/2007 | Kang | | D8/54 |
| D596,910 | S * | 7/2009 | Whitehead | | D8/52 |
| 8,919,228 | B1 * | 12/2014 | Gao | | 81/338 |
| 2008/0264216 | A1 * | 10/2008 | Duffy | | 81/302 |
| 2012/0174361 | A1 * | 7/2012 | Wang | | 29/229 |
| 2015/0013128 | A1 * | 1/2015 | Wang | | 29/229 |

* cited by examiner

Primary Examiner — Deanna L Pratt
(74) *Attorney, Agent, or Firm* — Ryan Kromholz & Manion, S.C.

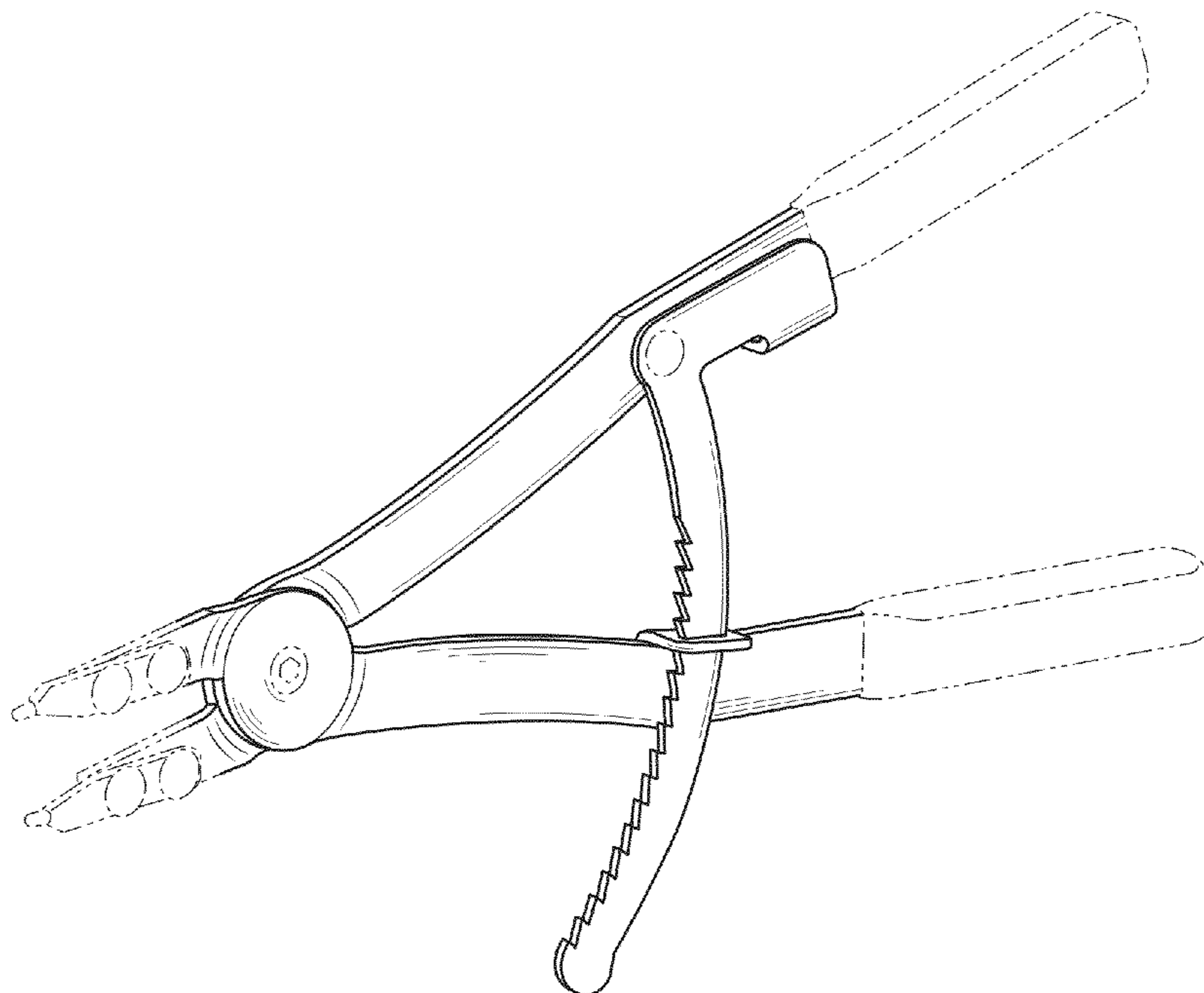
(57) **CLAIM**
The ornamental design for a locking pliers, as shown and described.

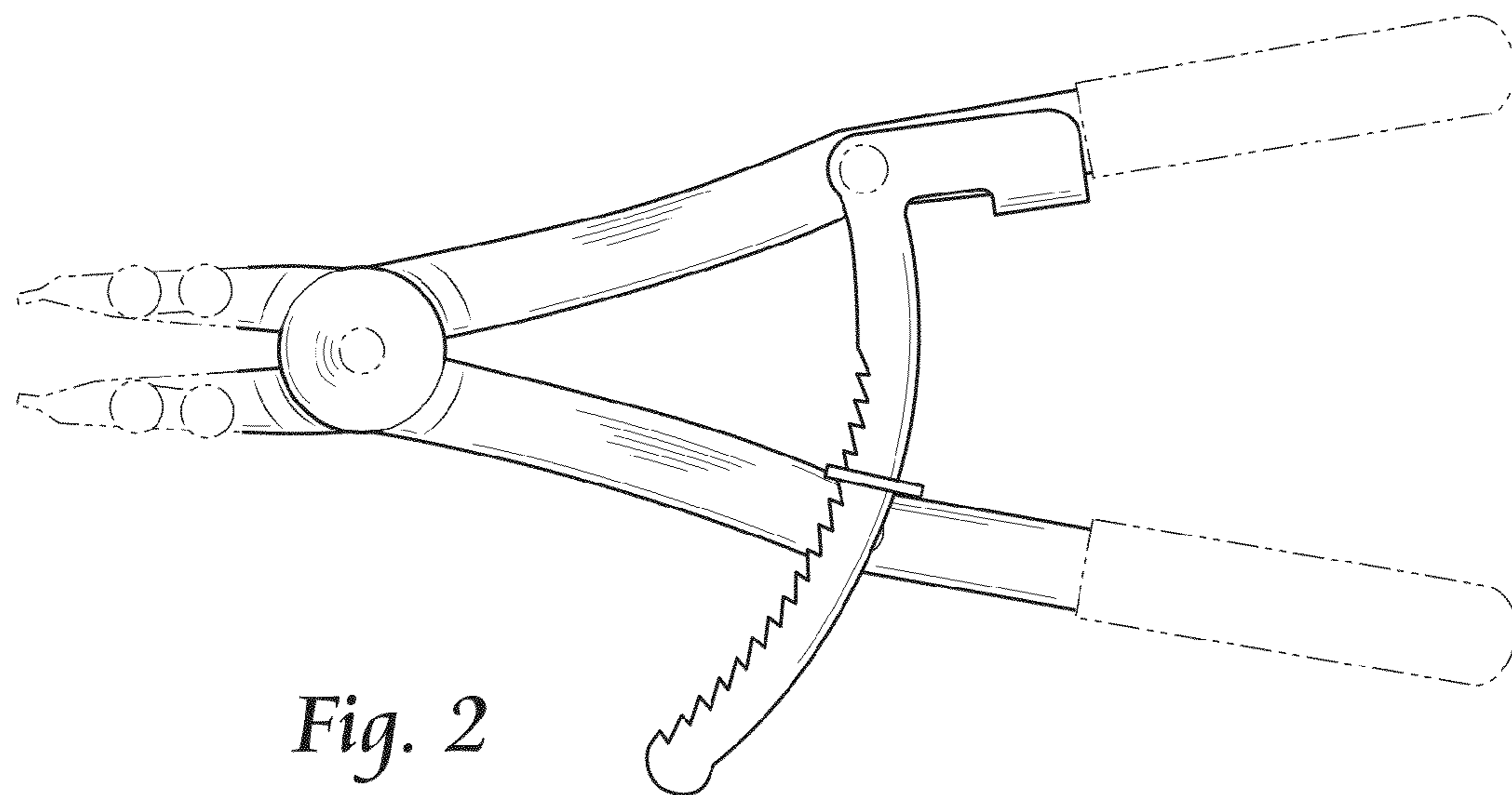
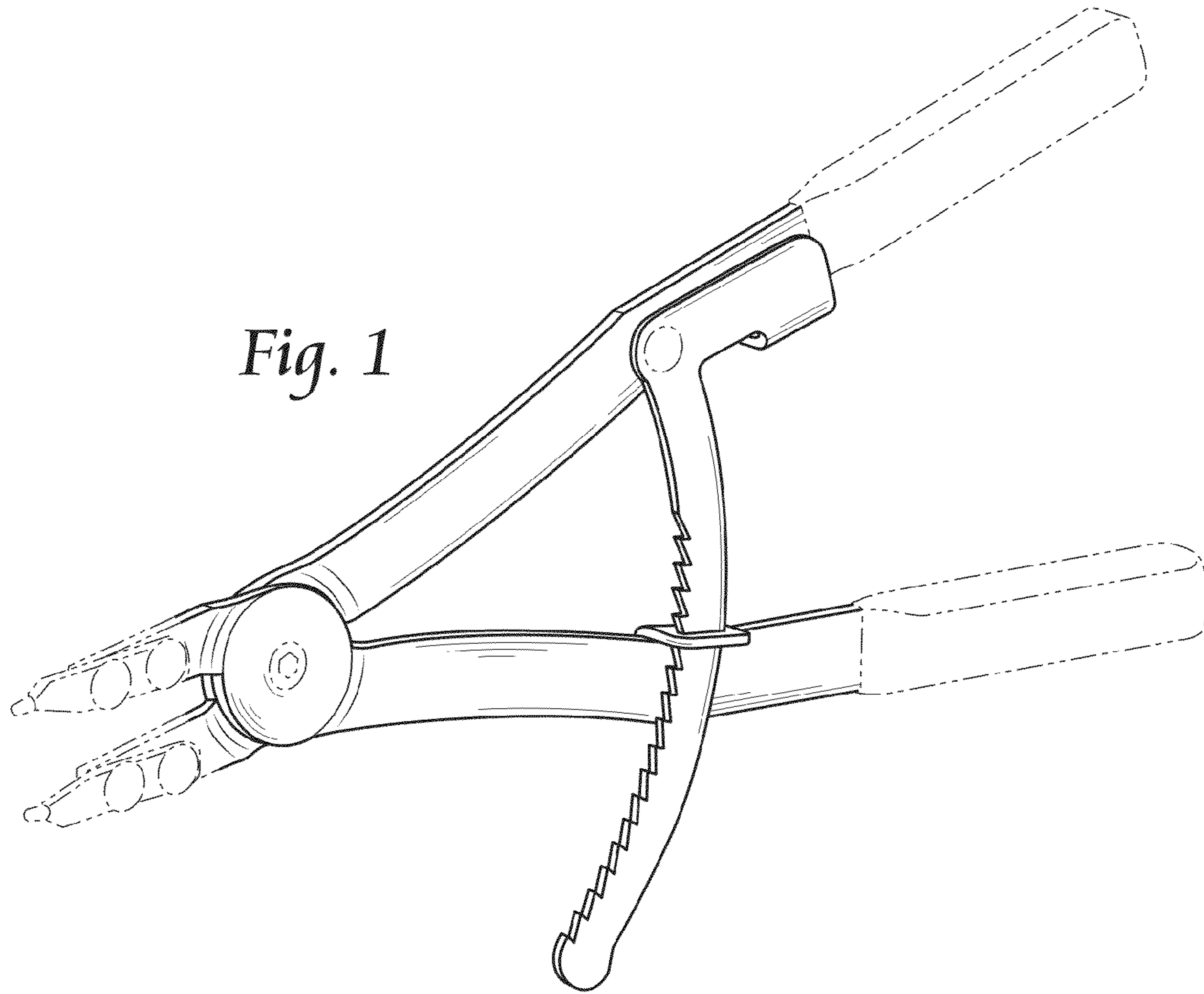
DESCRIPTION

FIG. 1 is a perspective view of the locking pliers;
FIG. 2 is a left side elevation view thereof;
FIG. 3 is a right side elevation view thereof;
FIG. 4 is a top plan view thereof;
FIG. 5 is a bottom plan view thereof;
FIG. 6 is a front elevation view thereof; and,
FIG. 7 is a rear elevation view thereof.
The broken lines in the drawings illustrate portions of the locking pliers that form no part of the claimed design.

1 Claim, 2 Drawing Sheets

- (56) **References Cited**
U.S. PATENT DOCUMENTS
- | | | | | | |
|-----------|-----|---------|------------|-------|---------|
| 730,641 | A * | 6/1903 | Hall | | 254/249 |
| 1,323,127 | A * | 11/1919 | Treuthardt | | 269/45 |
| 3,040,420 | A * | 6/1962 | Kulp | | 29/229 |
| 3,313,190 | A * | 4/1967 | Bothum | | 81/323 |
| 3,681,840 | A * | 8/1972 | Pool | | 29/229 |
| 4,538,485 | A * | 9/1985 | Saila | | 81/336 |
| 4,621,401 | A * | 11/1986 | Anderson | | 29/229 |
| 4,790,056 | A * | 12/1988 | Anderson | | 29/229 |





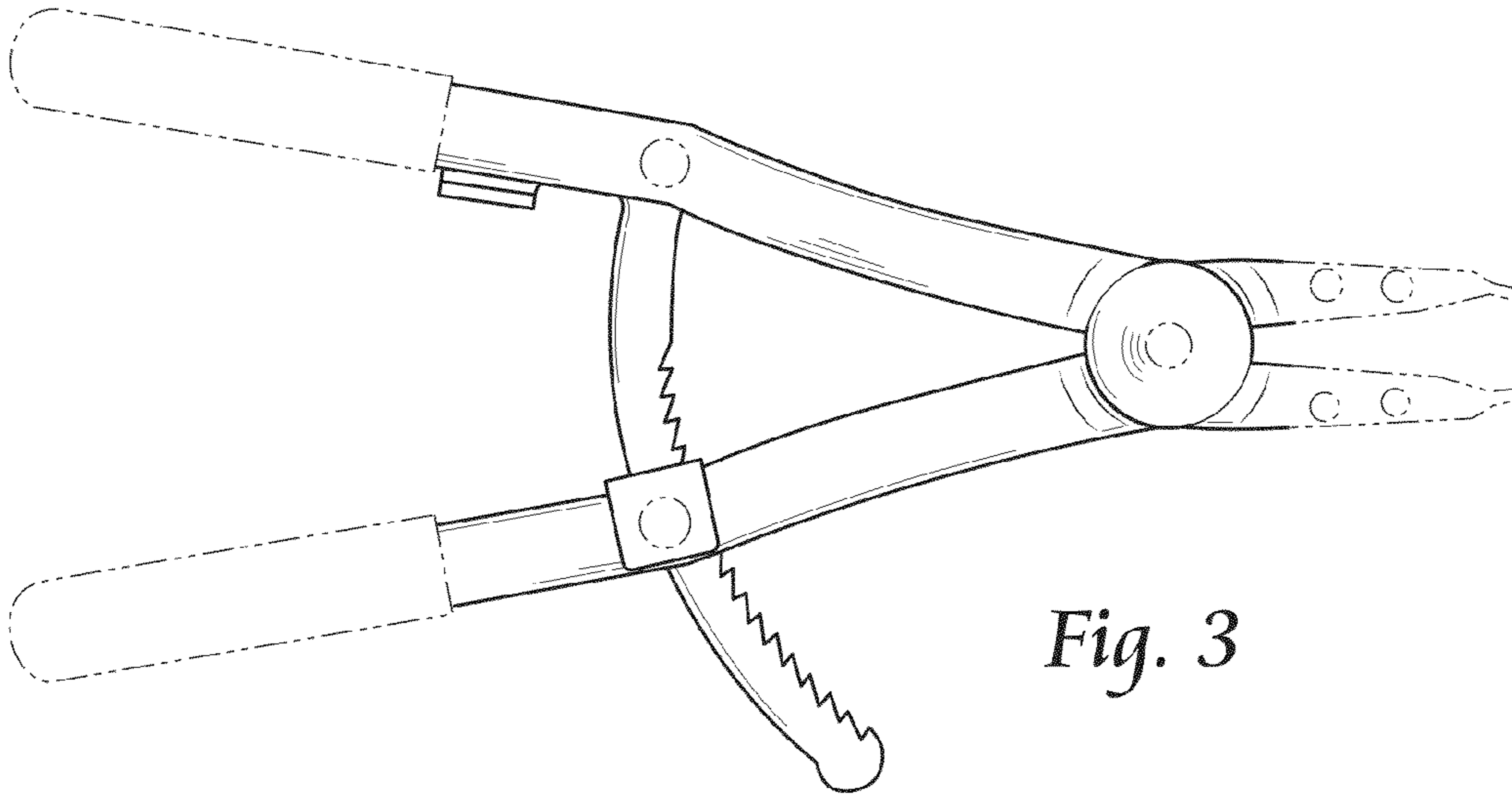


Fig. 3

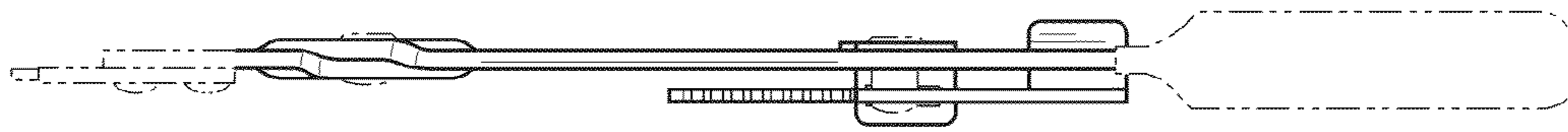


Fig. 4

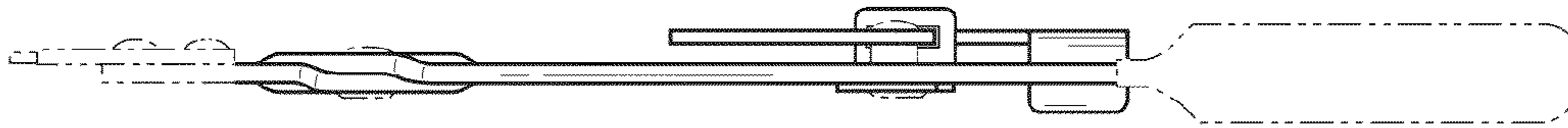


Fig. 5

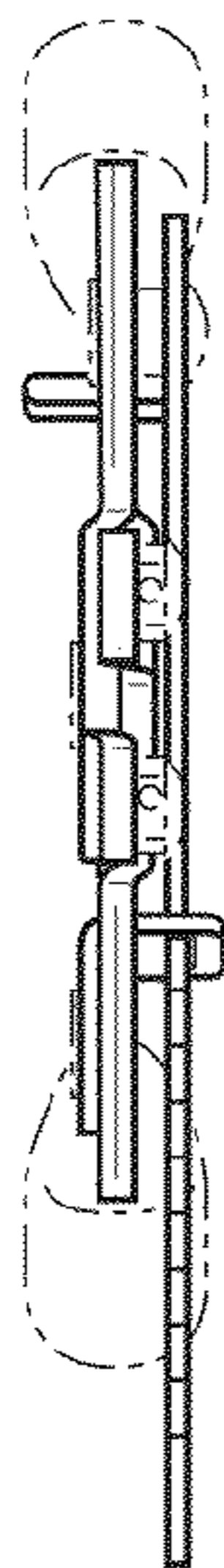


Fig. 6

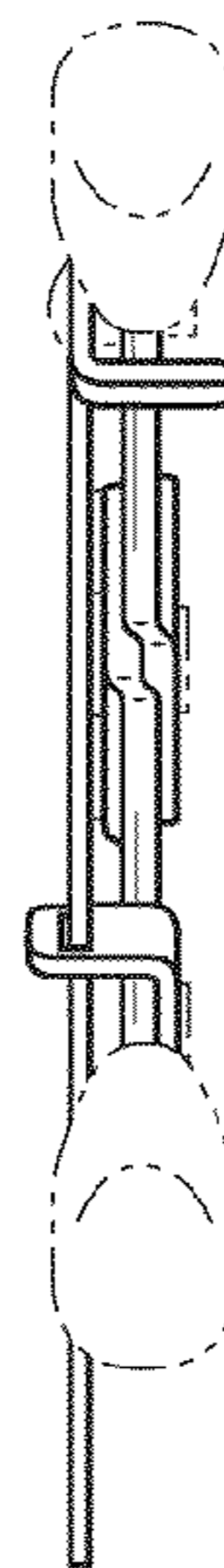


Fig. 7