



US00D738173S

(12) **United States Design Patent**
Tempel

(10) **Patent No.:** **US D738,173 S**
(45) **Date of Patent:** **** Sep. 8, 2015**

- (54) **HAND HELD TOOL**
- (71) Applicant: **Neoperl GmbH**, Mullheim (DE)
- (72) Inventor: **Marc Tempel**, Freiburg (DE)
- (73) Assignee: **Neoperl GmbH**, Müllheim (DE)
- (**) Term: **14 Years**
- (21) Appl. No.: **29/473,622**
- (22) Filed: **Nov. 25, 2013**

| | | | | |
|-----------|------|---------|----------------------|----------|
| D422,863 | S | 4/2000 | Warner et al. | |
| D425,770 | S * | 5/2000 | Hsieh | D8/29 |
| 6,176,157 | B1 * | 1/2001 | Ure | 81/124.2 |
| 6,745,649 | B1 * | 6/2004 | Liao | 81/121.1 |
| 6,901,824 | B1 * | 6/2005 | Chen | 81/63.2 |
| 6,945,142 | B1 * | 9/2005 | Chen | 81/124.3 |
| 7,066,056 | B1 * | 6/2006 | Hsieh | 81/63.2 |
| 7,117,769 | B2 | 10/2006 | Somers | |
| 7,159,491 | B1 * | 1/2007 | Chaconas et al. | 81/58.1 |
| D628,868 | S * | 12/2010 | Laurie | D8/29 |

(Continued)

OTHER PUBLICATIONS

Socket Set Torx 1/4" DRV 22 pcs—77390—Tools.

(Continued)

Related U.S. Application Data

- (62) Division of application No. 29/402,285, filed on Sep. 22, 2011, now abandoned.
- (51) **LOC (10) Cl.** **08-05**
- (52) **U.S. Cl.**
USPC **D8/29**
- (58) **Field of Classification Search**
USPC D8/29, 85, 81, 82; 81/60, 177.1, 81/177.85, 121.1, 124.3, 165–170, 110.1, 81/176.2, 124.6, 176.1, 176.15, 177.2; 16/110.1; D15/144.1; 219/75, 227, 219/229, 121.16, 121.18
CPC B25B 1/00; B25B 13/00; B25B 31/00
See application file for complete search history.

Primary Examiner — Randall Gholson

(74) *Attorney, Agent, or Firm* — Volpe and Koenig, P.C.

(57) **CLAIM**

The ornamental design for a hand held tool, as shown and described.

DESCRIPTION

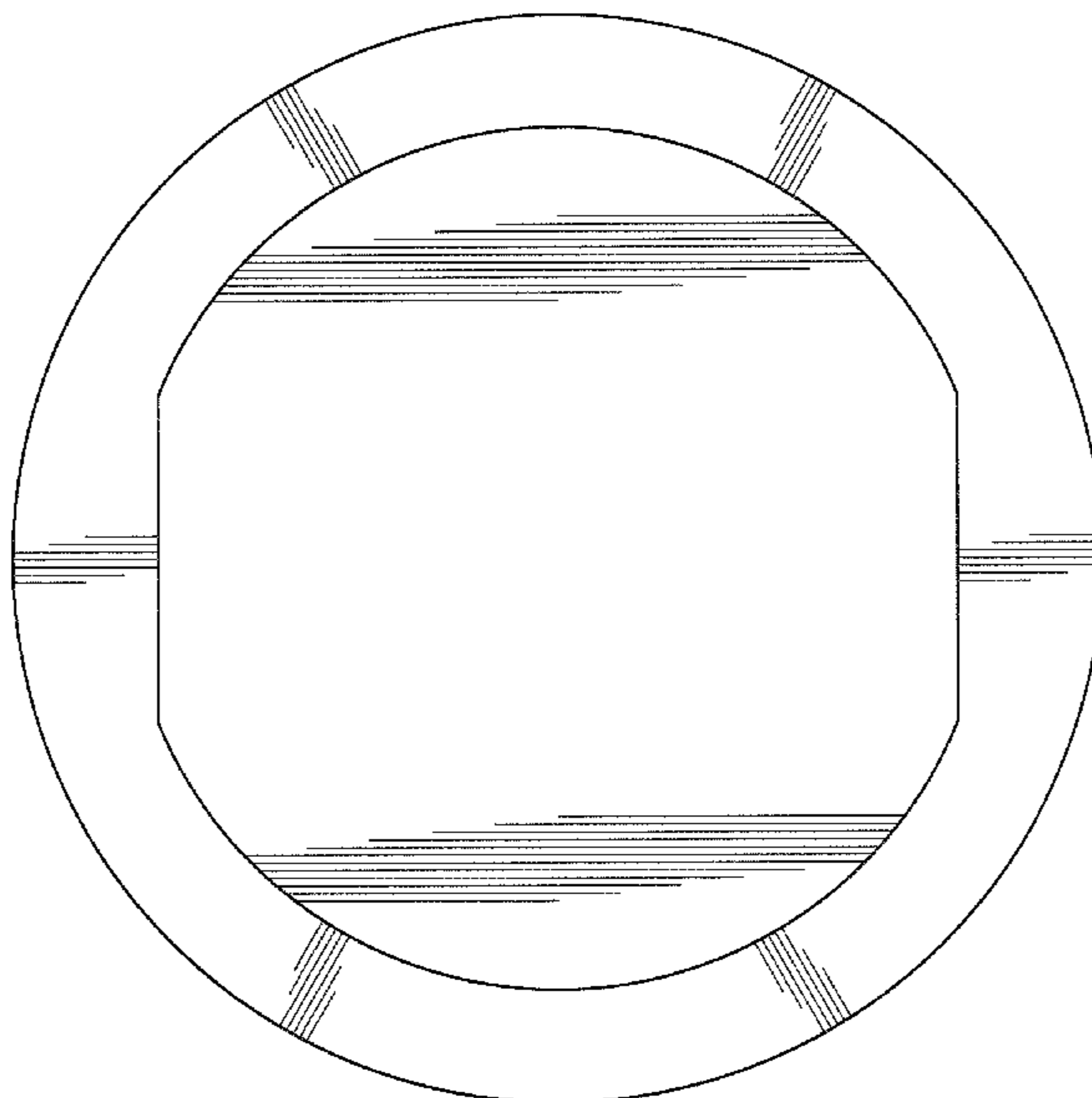
FIG. 1 is a top plan view of a hand held tool in accordance with my design;
 FIG. 2 is a top, front, right perspective view thereof;
 FIG. 3 is a bottom view thereof;
 FIG. 4 is a bottom, rear, left perspective view thereof; and
 FIG. 5 is an elevational view thereof;
 FIG. 6 is a top plan view of a second embodiment of a hand held tool in accordance with my design;
 FIG. 7 is a top, front, right perspective view thereof;
 FIG. 8 is a bottom view thereof;
 FIG. 9 is a bottom, left, rear perspective view thereof; and,
 FIG. 10 is an elevational view thereof.
 The broken lines depict portions of the hand held tool that form no part of the claimed design.

1 Claim, 10 Drawing Sheets

(56) **References Cited**

U.S. PATENT DOCUMENTS

| | | | | |
|-----------|-----|---------|-------------------|----------|
| 1,438,908 | A | 12/1922 | Fahlman | |
| 1,696,444 | A | 12/1928 | Miller et al. | |
| 2,065,340 | A | 12/1936 | McNaught et al. | |
| 4,699,029 | A * | 10/1987 | Kelly et al. | 81/121.1 |
| 4,817,475 | A * | 4/1989 | Kelly et al. | 81/121.1 |
| 4,922,770 | A | 5/1990 | Dlugolecki et al. | |
| 5,295,422 | A * | 3/1994 | Chow | 81/124.3 |
| D405,333 | S | 2/1999 | Wrigley | |



(56)

References Cited

OTHER PUBLICATIONS

U.S. PATENT DOCUMENTS

D630,920 S * 1/2011 Smith D8/29
8,205,529 B1 * 6/2012 Laurie 81/177.85

17 pcs Socket Set (1/4).

* cited by examiner

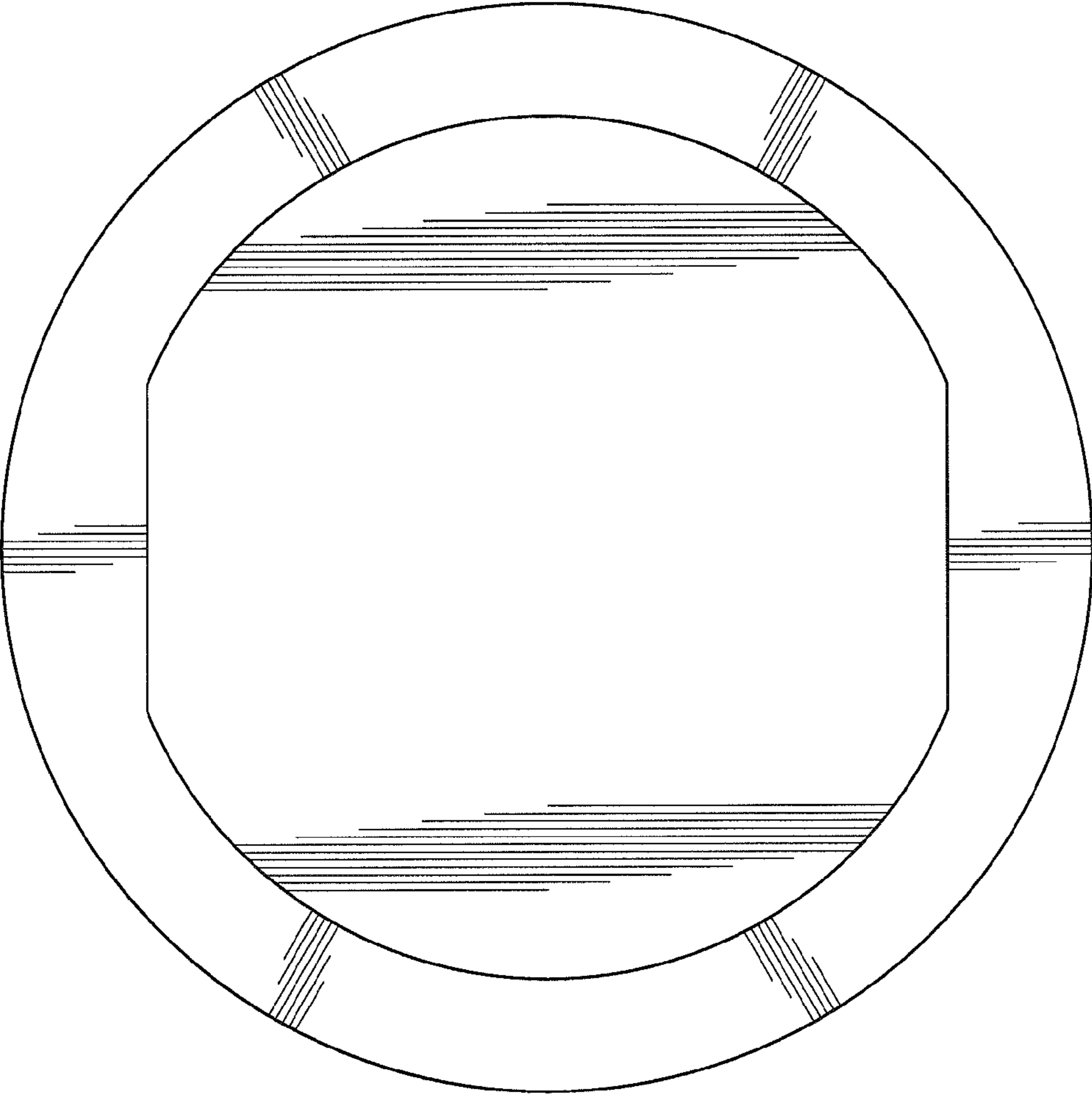


Fig. 1

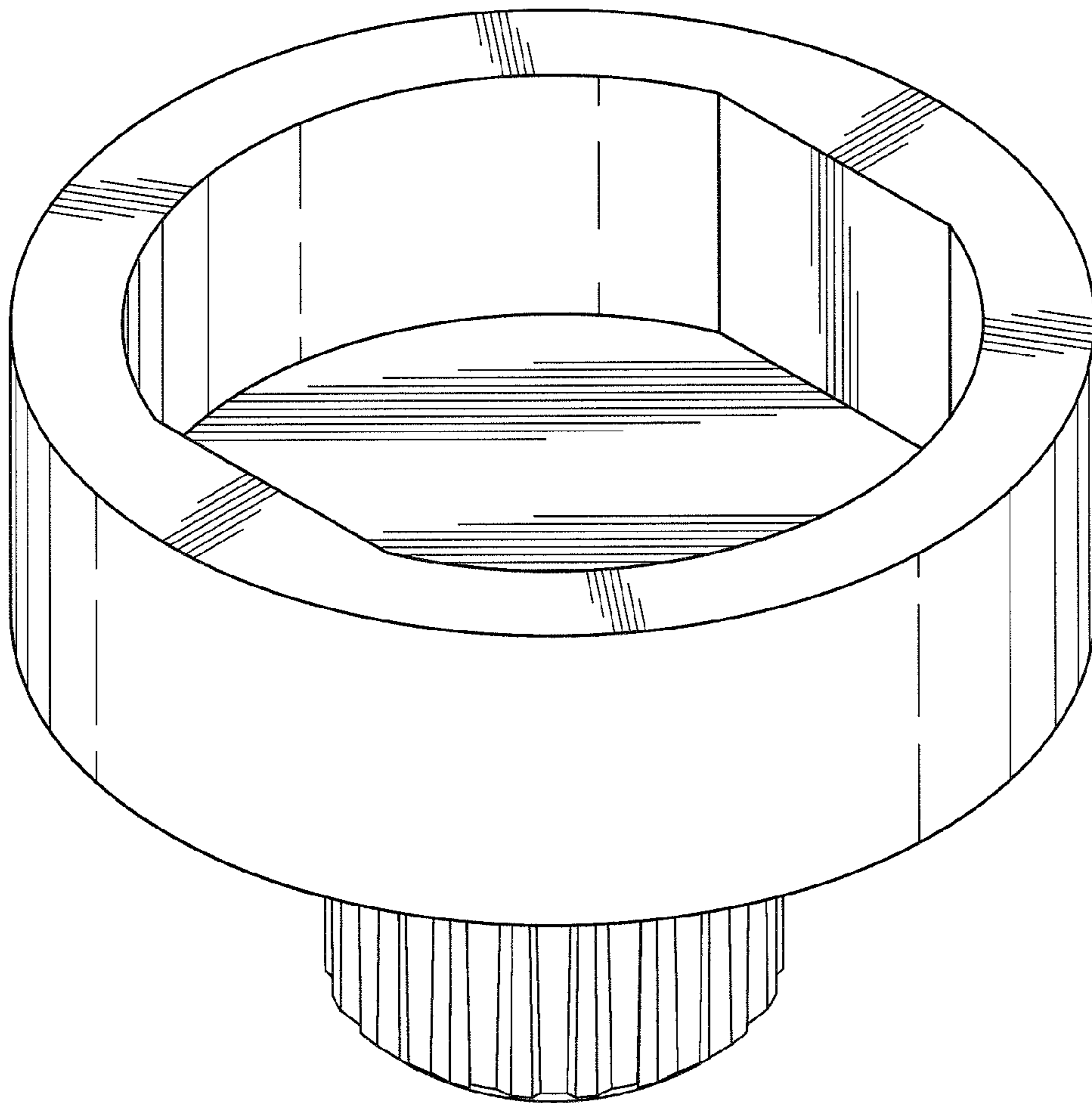


Fig. 2

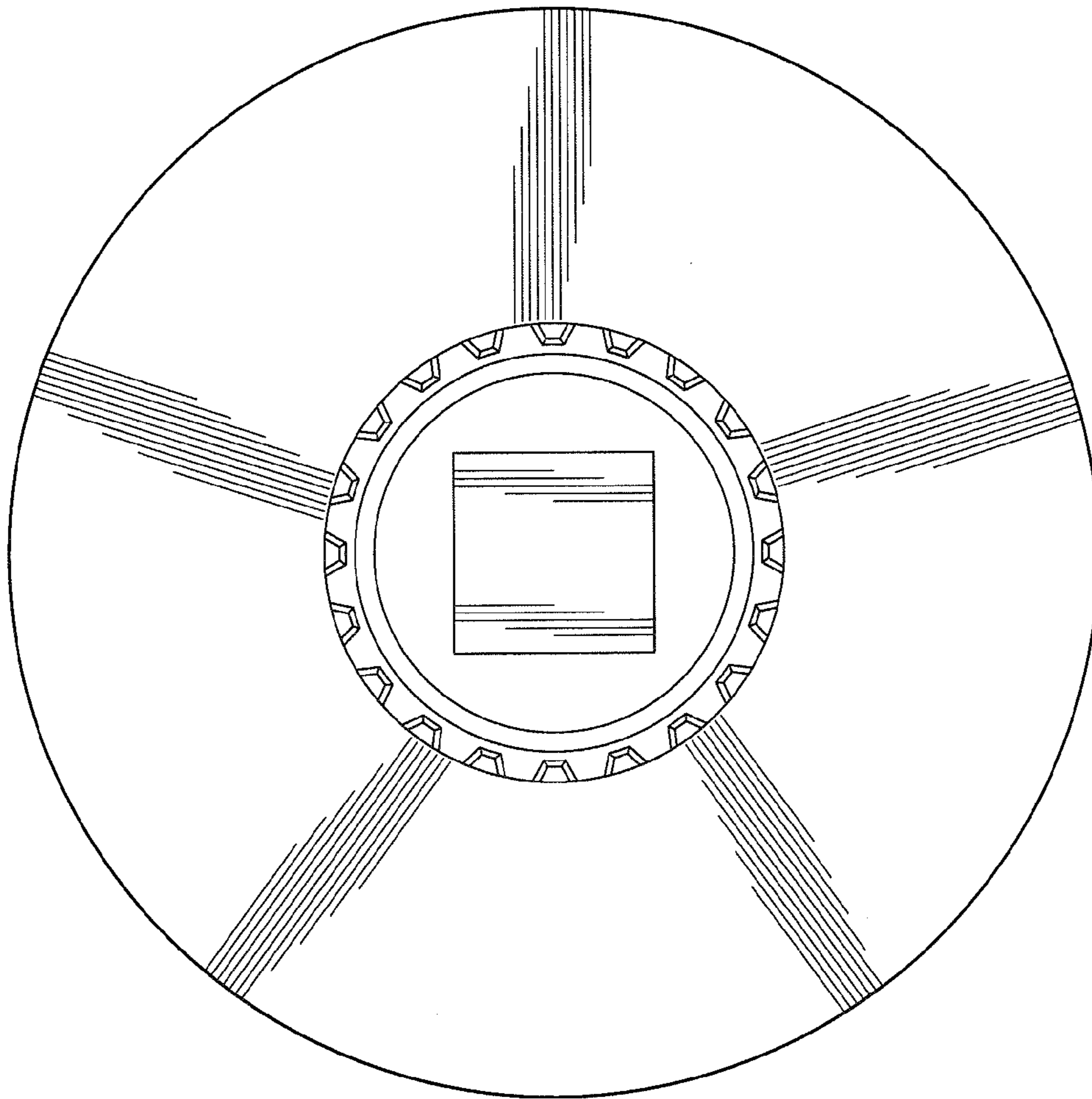


Fig. 3

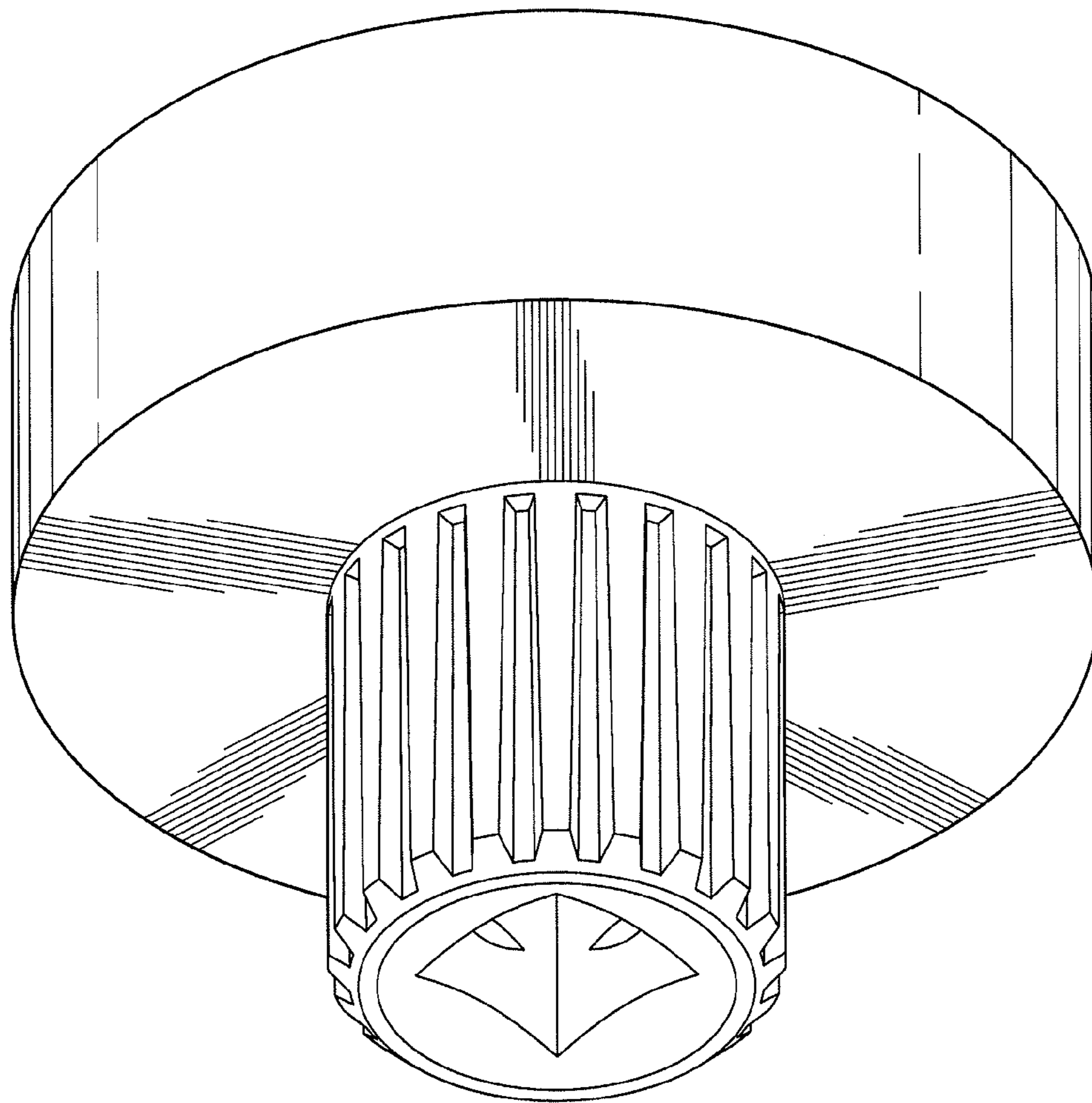


Fig. 4

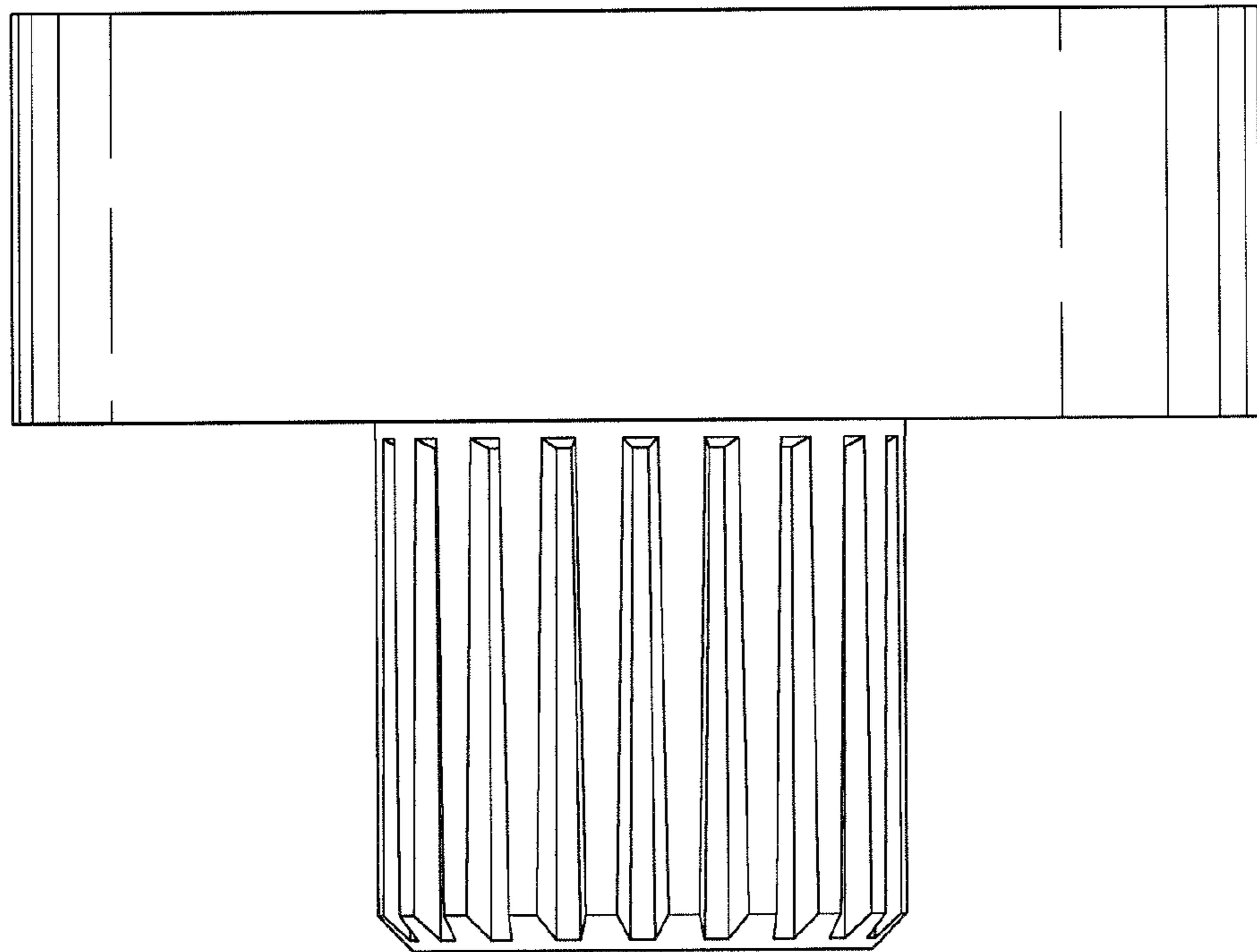


Fig. 5

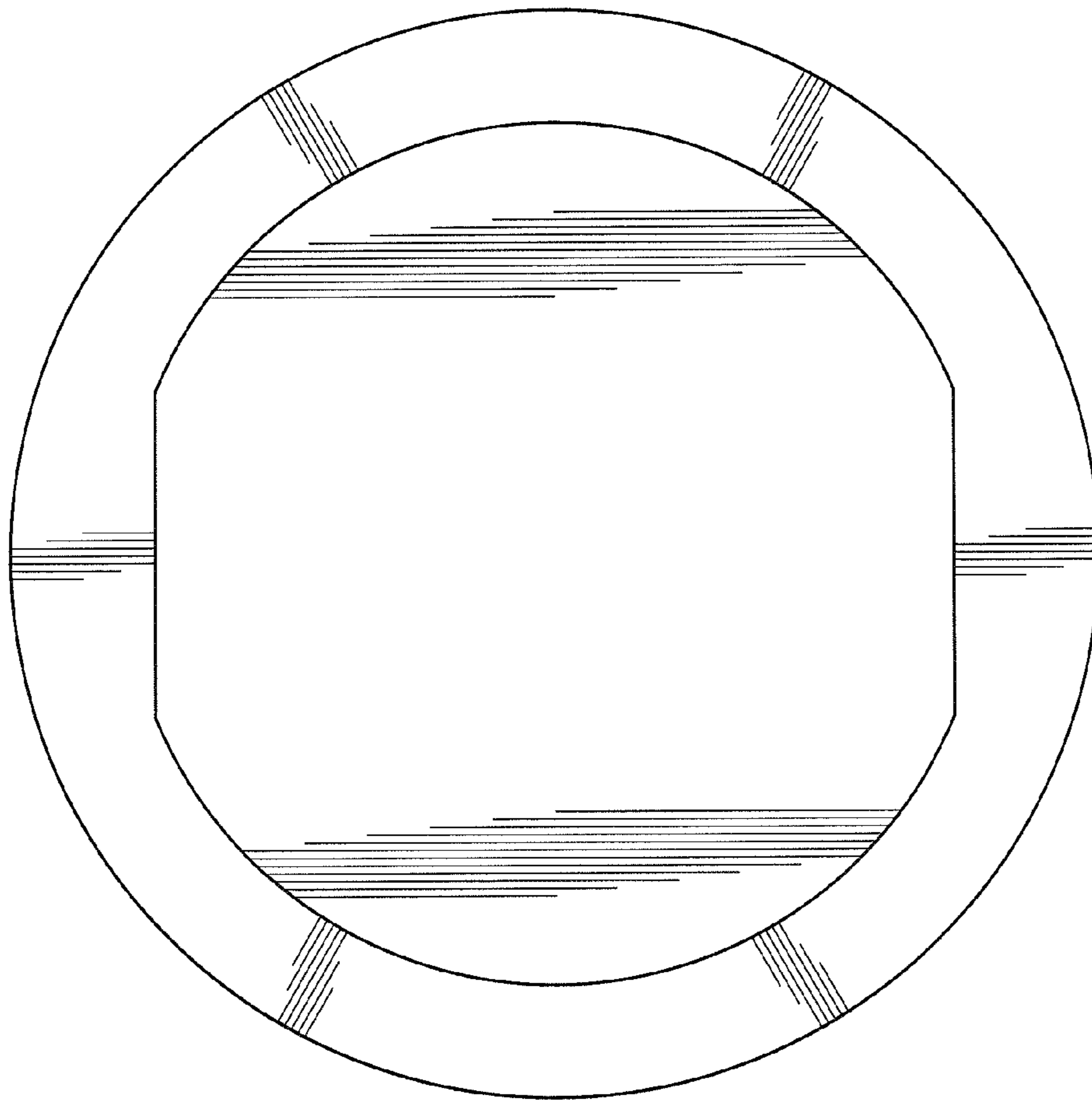


Fig. 6

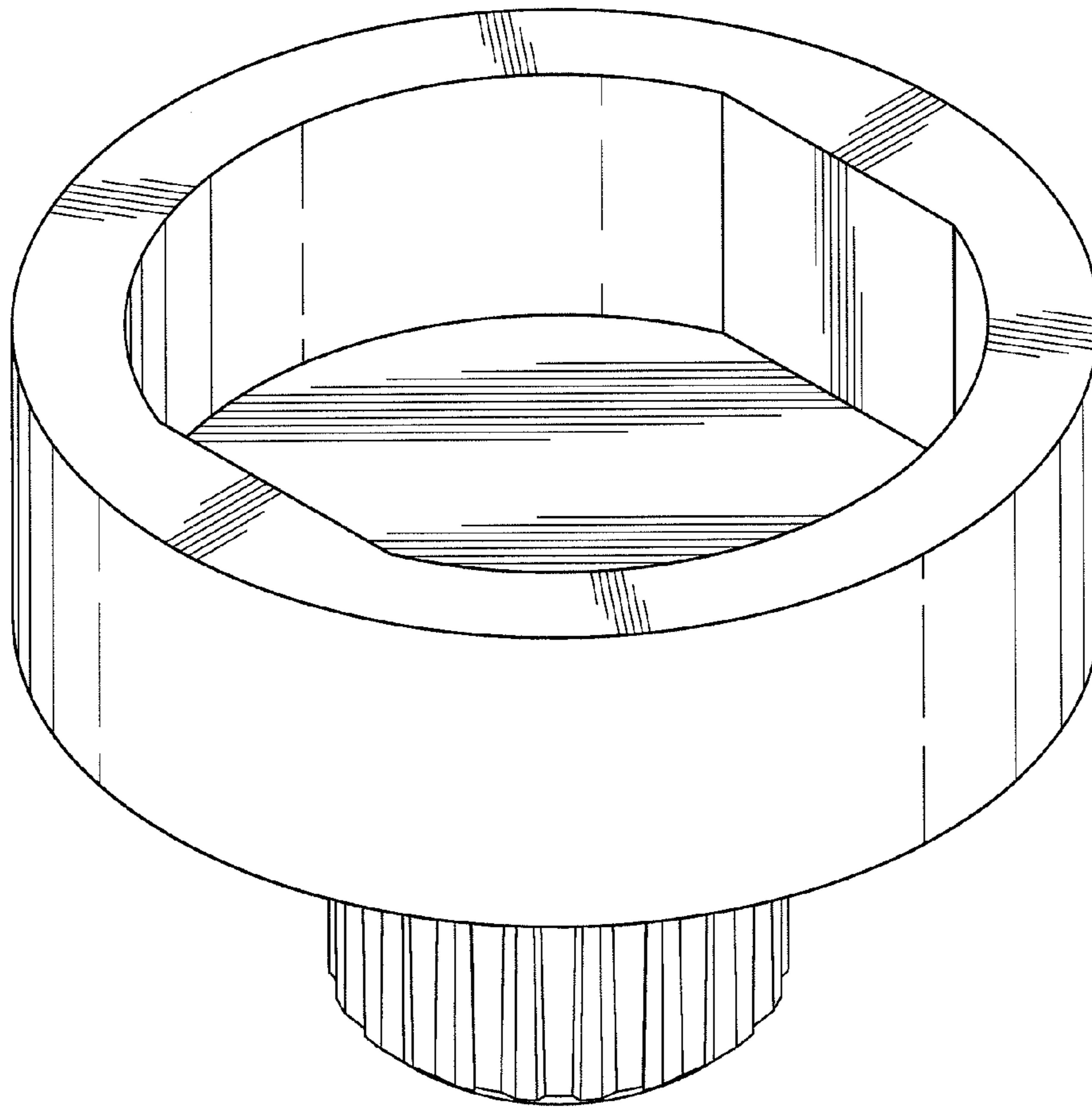


Fig. 7

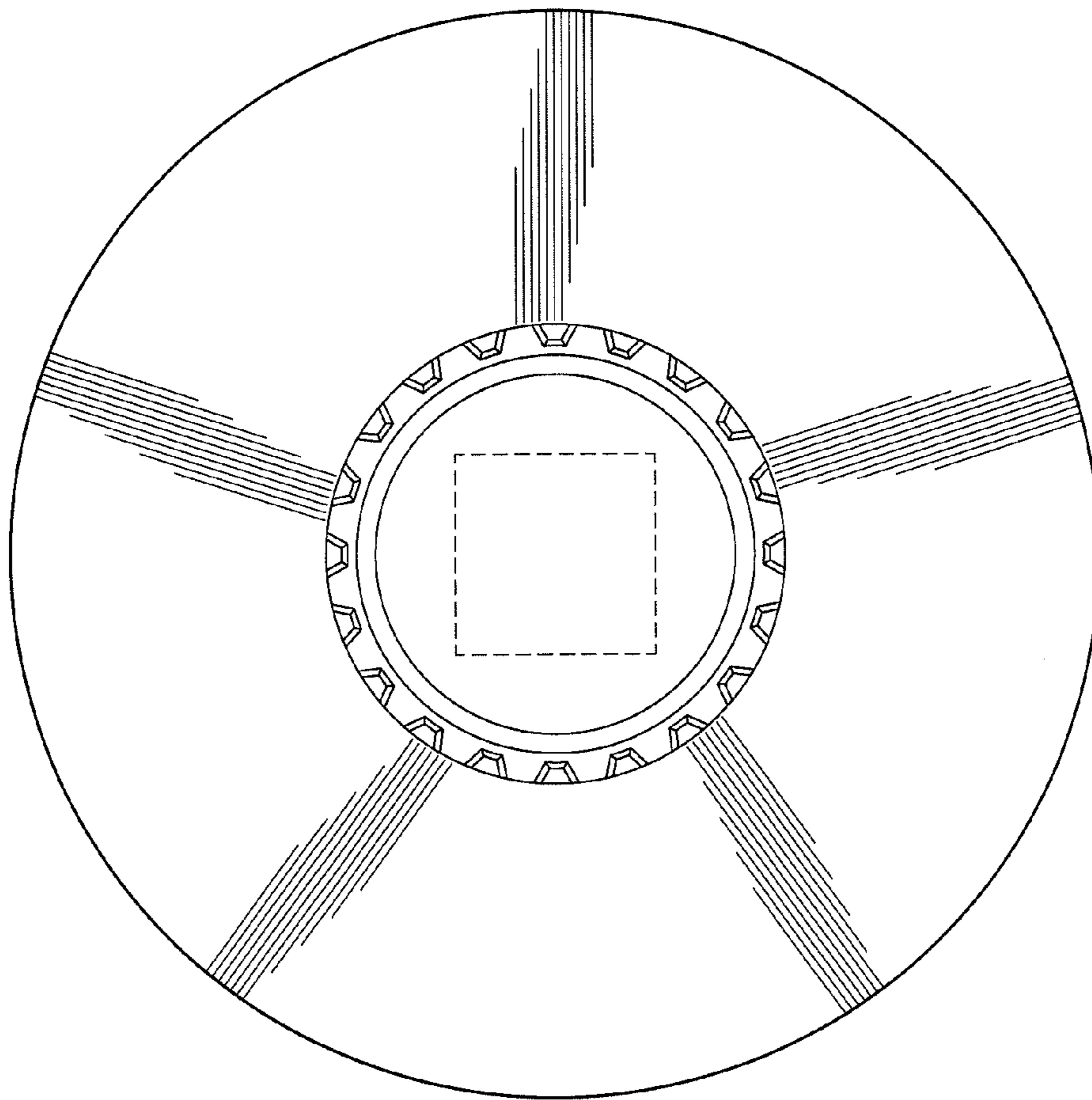


Fig. 8

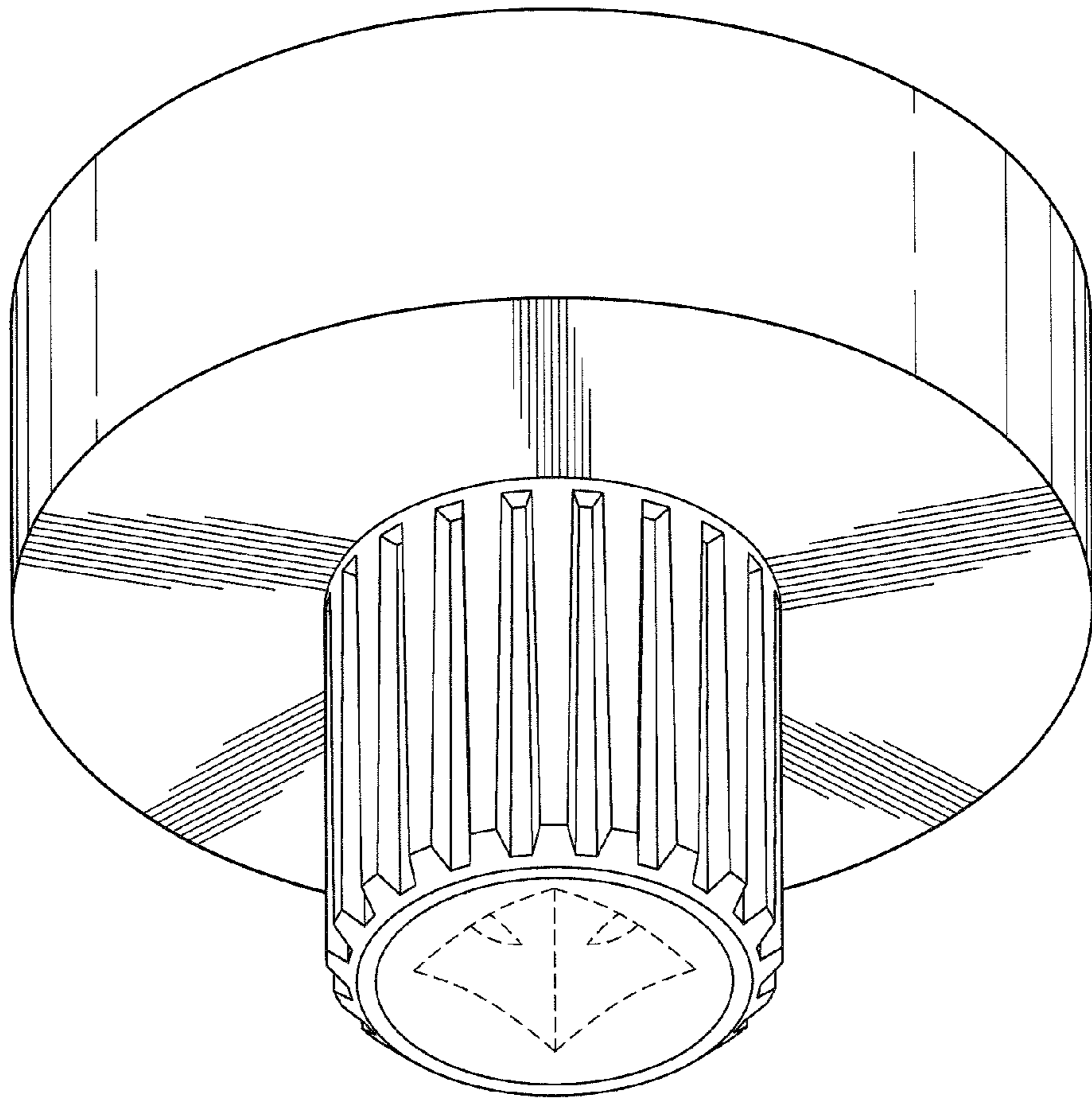


Fig. 9

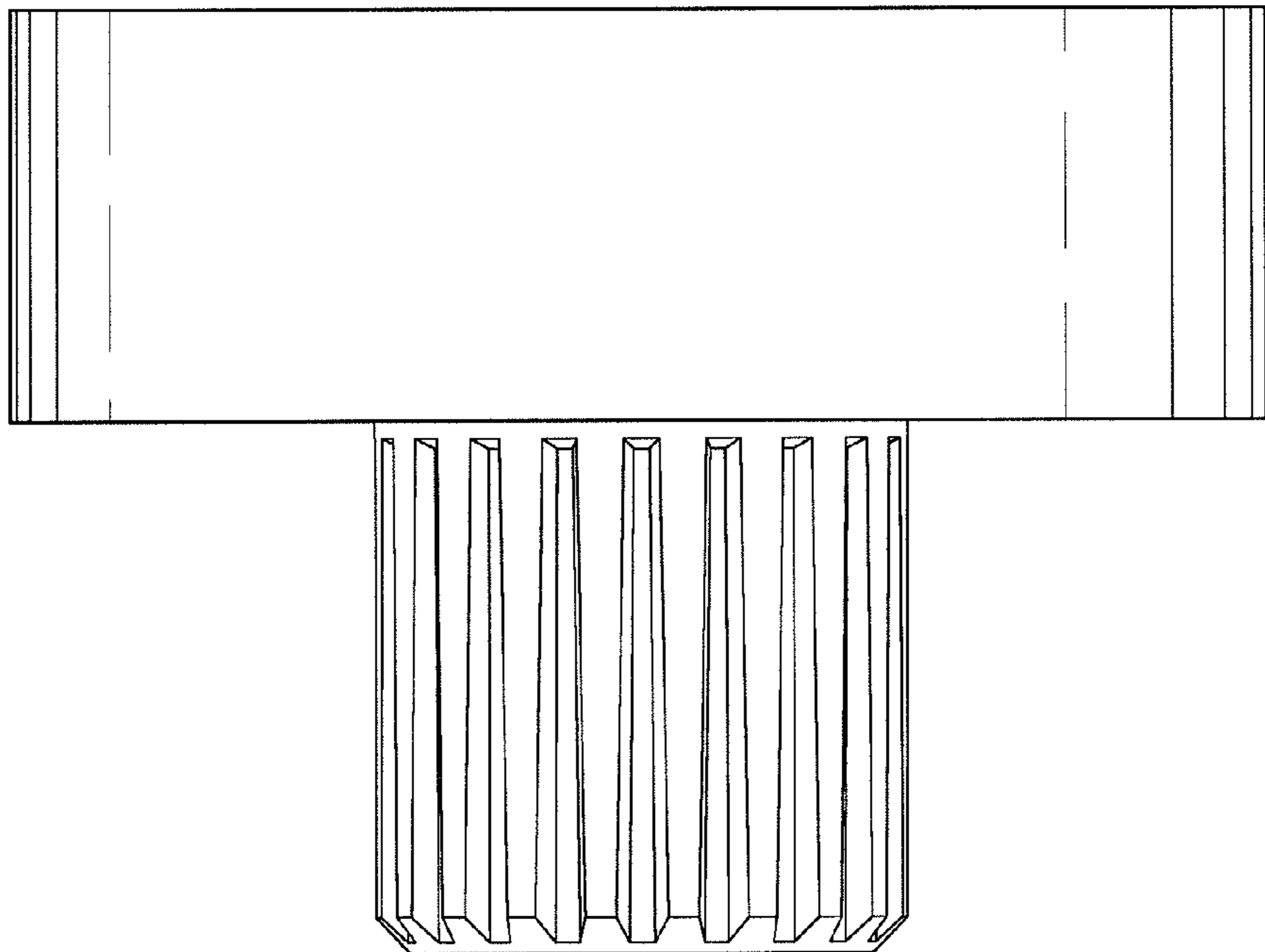


Fig. 10