



US00D738169S

(12) **United States Design Patent**
Weisenbach

(10) **Patent No.:** **US D738,169 S**

(45) **Date of Patent:** **** Sep. 8, 2015**

(54) **FUNNEL**

(71) Applicant: **Weisenbach Specialty Printing, Inc.**,
Columbus, OH (US)

(72) Inventor: **Daniel G. Weisenbach**, Columbus, OH
(US)

(73) Assignee: **Weisenbach Specialty Printing, Inc.**,
Columbus, OH (US)

(**) Term: **14 Years**

(21) Appl. No.: **29/485,151**

(22) Filed: **Mar. 17, 2014**

(51) **LOC (10) Cl.** **07-99**

(52) **U.S. Cl.**
USPC **D7/700**

(58) **Field of Classification Search**
USPC D7/700, 400; D15/150, 152; D23/200;
141/331-345, 199-205, 384, 386, 95,
141/98, 297-300
CPC B65B 1/06; B65B 39/00; B67C 11/00;
B67C 11/063; B67C 11/02; B67C 3/34
See application file for complete search history.

(56) **References Cited**

U.S. PATENT DOCUMENTS

3,939,884	A *	2/1976	Mader	141/333
4,706,720	A *	11/1987	Pattison et al.	141/327
5,168,908	A *	12/1992	Boyum	141/340
5,488,979	A *	2/1996	McKenzie	141/331
5,927,353	A *	7/1999	Persson et al.	141/340
D632,144	S	2/2011	Weisenbach		

OTHER PUBLICATIONS

Weisenbach Recycled Products 2011 Catalog, Web page <http://www.recycledproducts.com/site_media/media/documents/WRP_2011_catalog.pdf>, 28 pages, dated Nov. 25, 2011, retrieved from Internet Archive Wayback Machine <https://web.archive.org/web/20111125063042/http://www.recycledproducts.com/site_media/media/documents/WRP_2011_catalog.pdf> on Jun. 24, 2014.

(Continued)

Primary Examiner — Terry Wallace

(74) *Attorney, Agent, or Firm* — The Law Offices of Patrick F. O'Reilly III, LLC

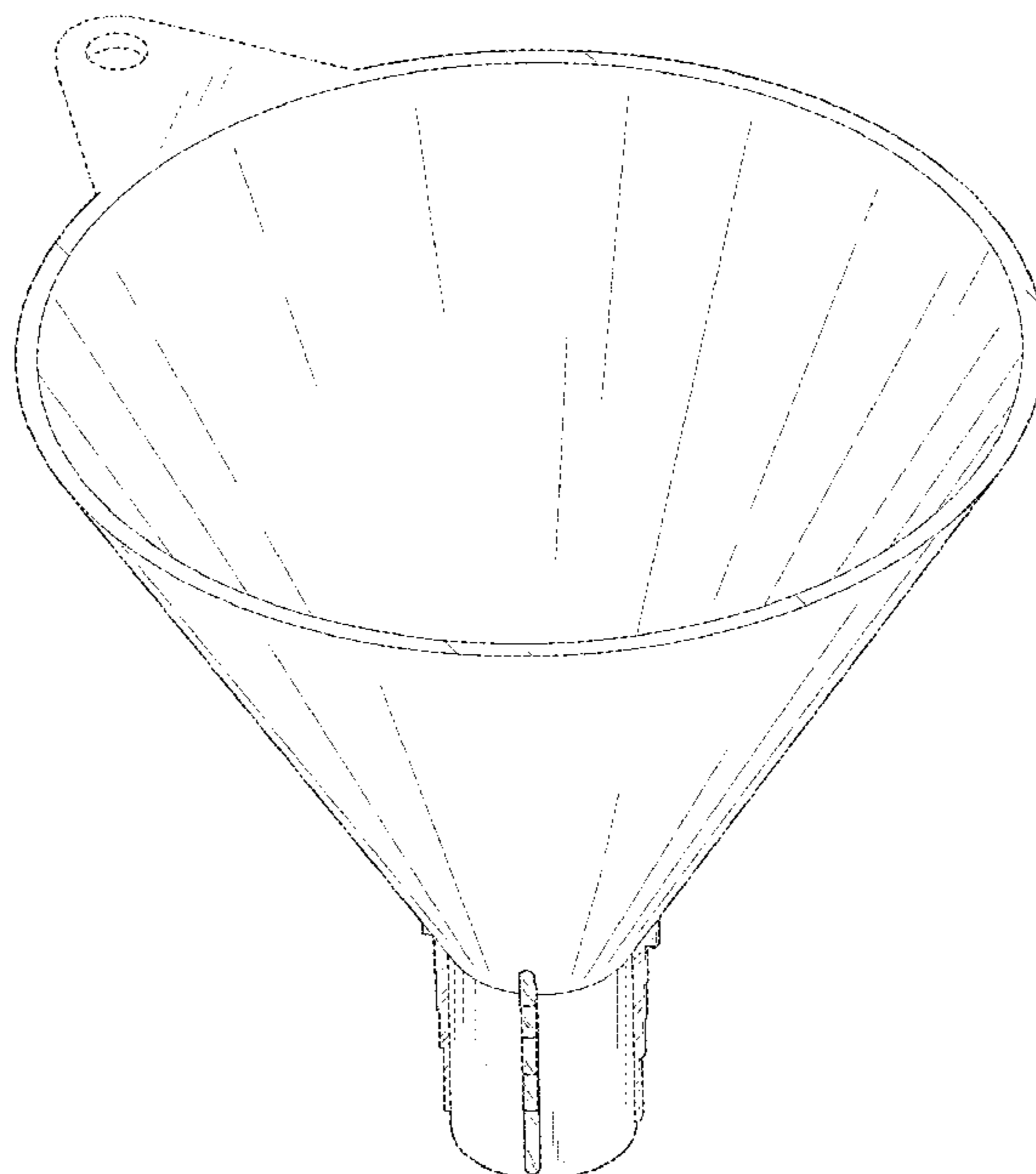
(57) **CLAIM**

The ornamental design for a funnel, as shown and described.

DESCRIPTION

FIG. 1 is a top-front perspective view of a funnel showing my new design;
FIG. 2 is a left side elevational view of the funnel of FIG. 1;
FIG. 3 is a right side elevational view of the funnel of FIG. 1;
FIG. 4 is a top plan view of the funnel of FIG. 1;
FIG. 5 is a bottom plan view of the funnel of FIG. 1;
FIG. 6 is a bottom-rear perspective view of the funnel of FIG. 1;
FIG. 7 is an enlarged side view of the spout portion of the funnel of FIG. 1, wherein the stepped protrusions disposed on the external surface of the spout portion are illustrated in detail; and,
FIG. 8 is an enlarged bottom perspective view of the spout portion of the funnel of FIG. 1, wherein the abutment and the molded threads disposed on the inside of the spout portion are illustrated in detail.
The broken line portions of the drawing figures are included to show unclaimed subject matter only and form no part of the claimed design.

1 Claim, 8 Drawing Sheets



(56)

References Cited

OTHER PUBLICATIONS

Funnels & Spouts, Weisenbach Recycled Products Website, Web page <<http://www.recycledproducts.com/category/funnels-spouts>>, 4 pages, dated Feb. 28, 2012, retrieved from Internet Archive Wayback Machine <<https://web.archive.org/web/20120228080241/http://www.recycledproducts.com/category/funnels-spouts>> on Jun. 24, 2014.

Adapt-a-Jug Spout Set, Weisenbach Recycled Products Website, Web page <<http://www.recycledproducts.com/product/66994/>>, 1 page, dated Jan. 28, 2012, retrieved from Internet Archive Wayback Machine <<https://web.archive.org/web/20120128144236/http://www.recycledproducts.com/product/66994/>> on Jun. 24, 2014.

Adapt-a-Jug Tube Spout, Weisenbach Recycled Products Website, Web page <<http://www.recycledproducts.com/product/66944/>>, 1 page, dated Jan. 28, 2012, retrieved from Internet Archive Wayback Machine <<https://web.archive.org/web/20120128144210/http://www.recycledproducts.com/product/66944/>> on Jun. 24, 2014.

Fitbig Funnel, fitfill.com Website, Web page <http://www.fitfill.com/html/fitbig_funnel.html>, 1 page, dated Nov. 26, 2011, retrieved from Internet Archive Wayback Machine <https://web.archive.org/web/20111126080318/http://www.fitfill.com/html/fitbig_funnel.html> on Jun. 24, 2014.

Fitfill Funnel, fitfill.com Website, Web page <http://www.fitfill.com/html/oil_recycling_funnel.html>, 1 page, dated Nov. 26, 2011, retrieved from Internet Archive Wayback Machine <https://web.archive.org/web/20111126080123/http://www.fitfill.com/html/oil_recycling_funnel.html> on Jun. 24, 2014.

Fitfill Birdseed Funnel, fitfill.com Website, Web page <http://www.fitfill.com/html/fitfill_birdseed.html>, 1 page, dated Nov. 27, 2011, retrieved from Internet Archive Wayback Machine <https://web.archive.org/web/20111127094039/http://www.fitfill.com/html/fitfill_birdseed.html> on Jun. 24, 2014.

Fitbig F.O.G. Funnel, fitfill.com Website, Web page <http://www.fitfill.com/html/fitfill_f_o_g_.html>, 1 page, dated Jun. 9, 2012, retrieved from Internet Archive Wayback Machine <https://web.archive.org/web/20120609021507/http://www.fitfill.com/html/fitfill_f_o_g_.html> on Jun. 24, 2014.

Fitpop Funnel, fitfill.com Website, Web page <http://www.fitfill.com/html/fitpop_funnel.html>, 1 page, dated Nov. 26, 2011, retrieved from Internet Archive Wayback Machine <https://web.archive.org/web/20111126080109/http://www.fitfill.com/html/fitpop_funnel.html> on Jun. 24, 2014.

Fitpop Funnel, fitfill.com Website, Web page <http://www.fitfill.com/html/fitpop_funnel.html>, 1 page, dated Nov. 26, 2011, retrieved from Internet Archive Wayback Machine <https://web.archive.org/web/20111126080109/http://www.fitfill.com/html/fitpop_funnel.html> on Jun. 24, 2014.

* cited by examiner

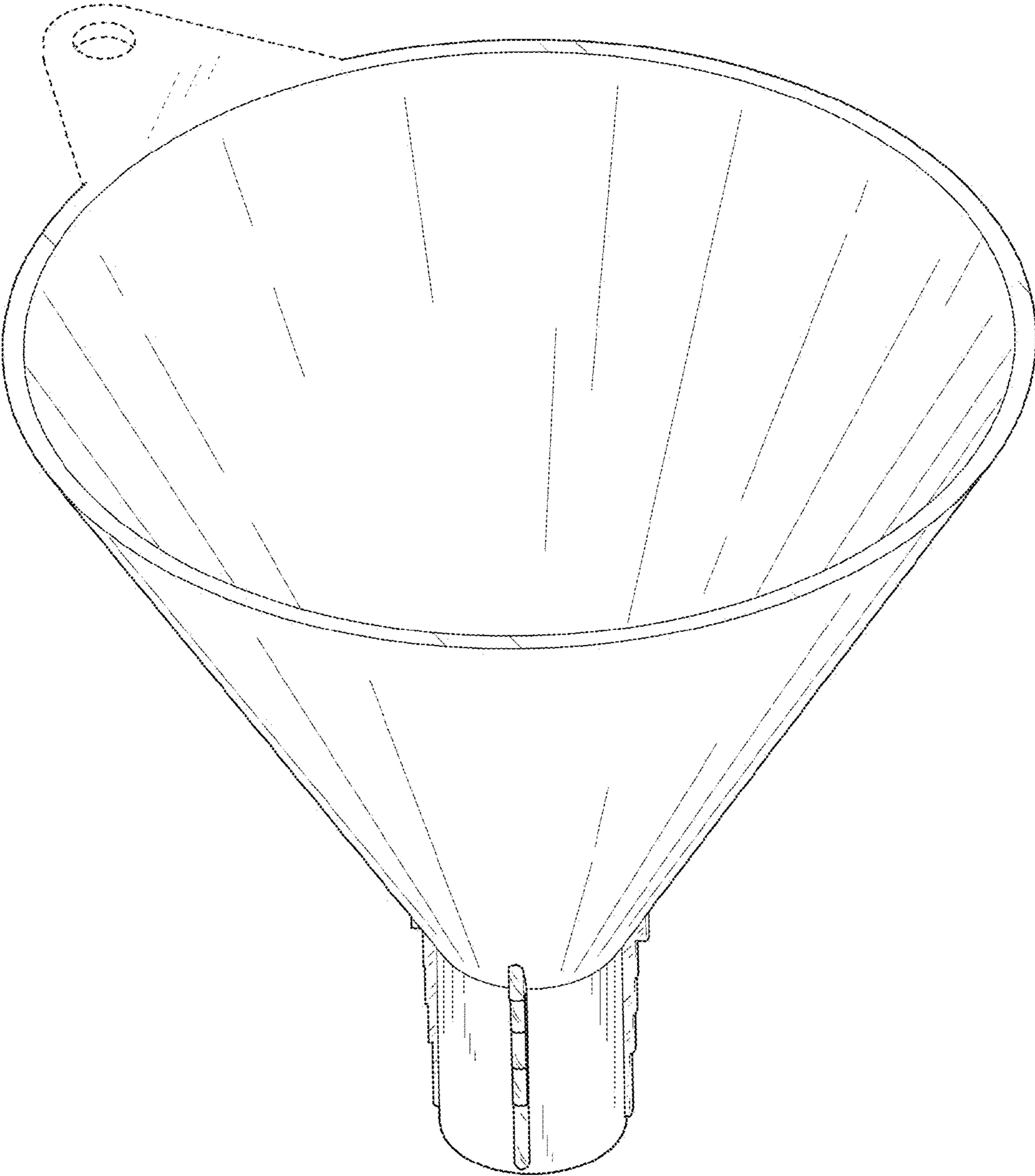


FIG. 1

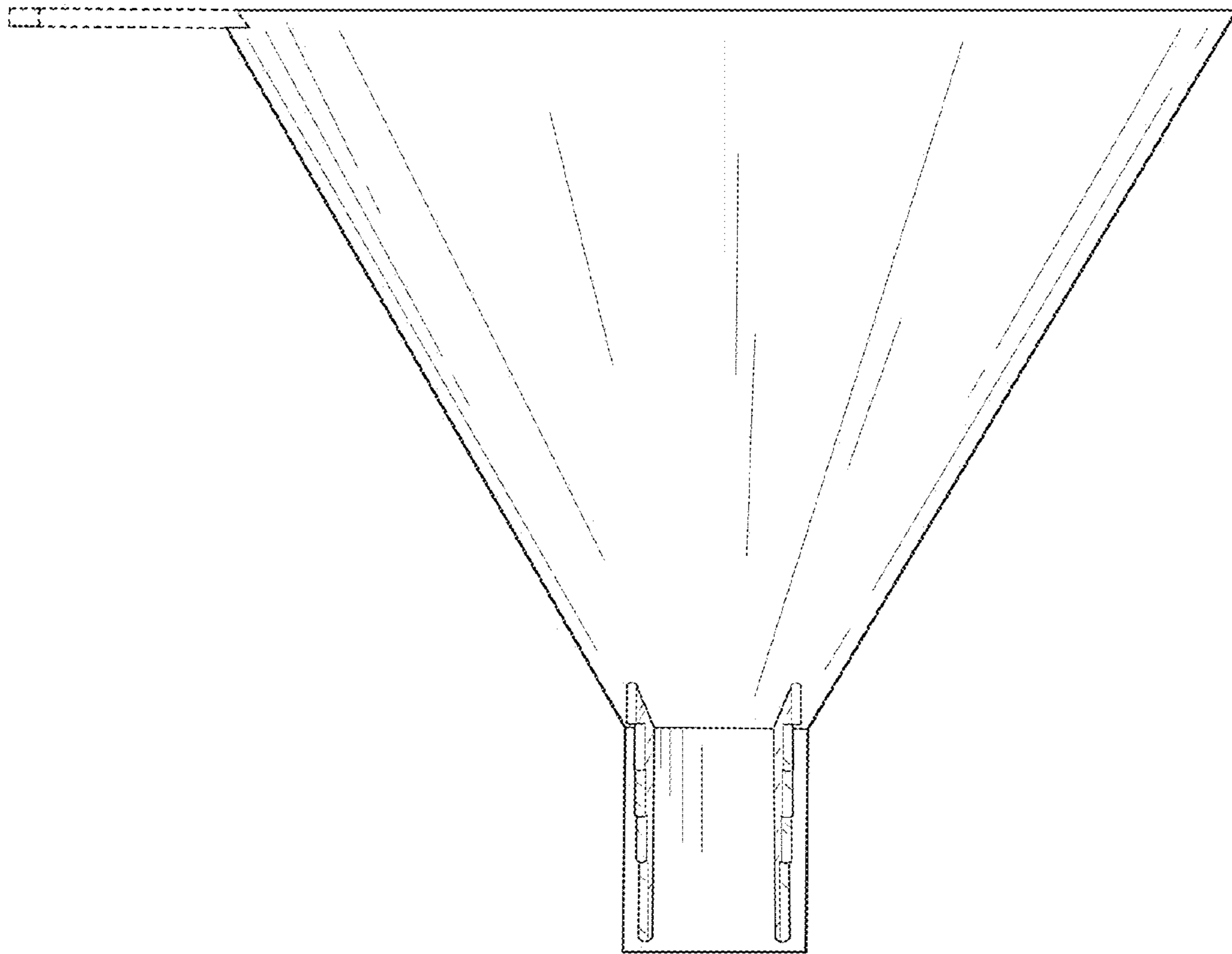


FIG. 2

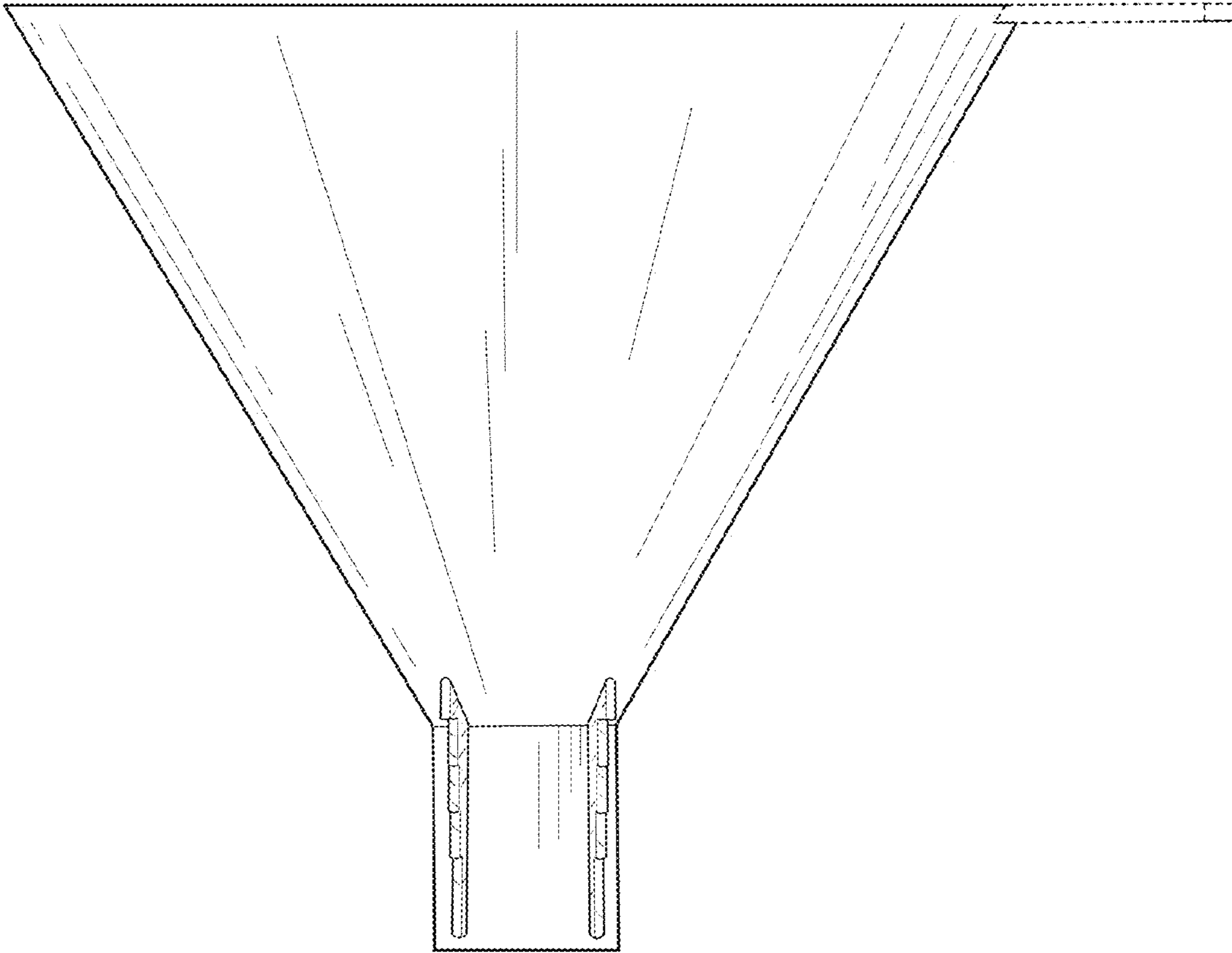


FIG. 3

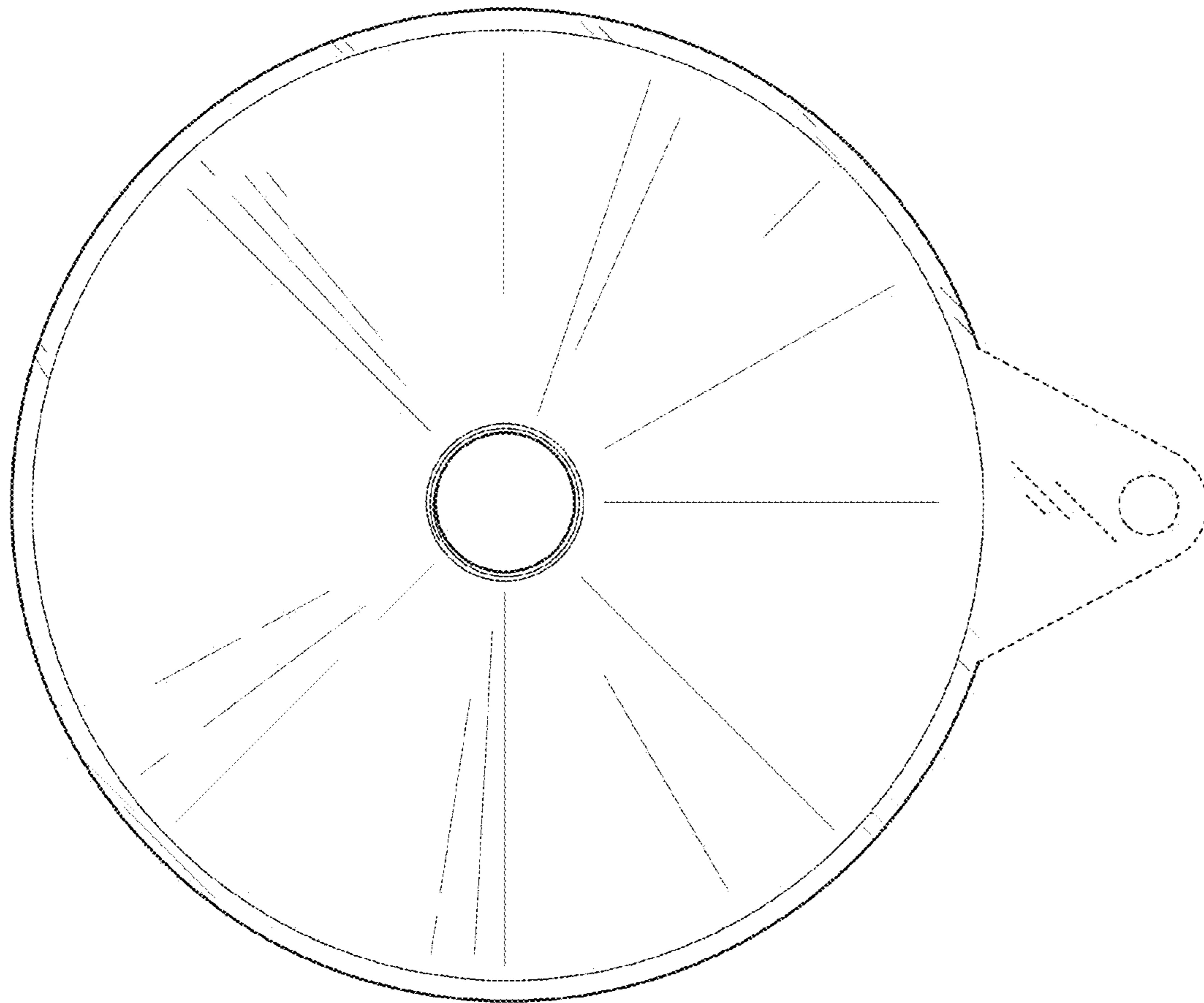


FIG. 4

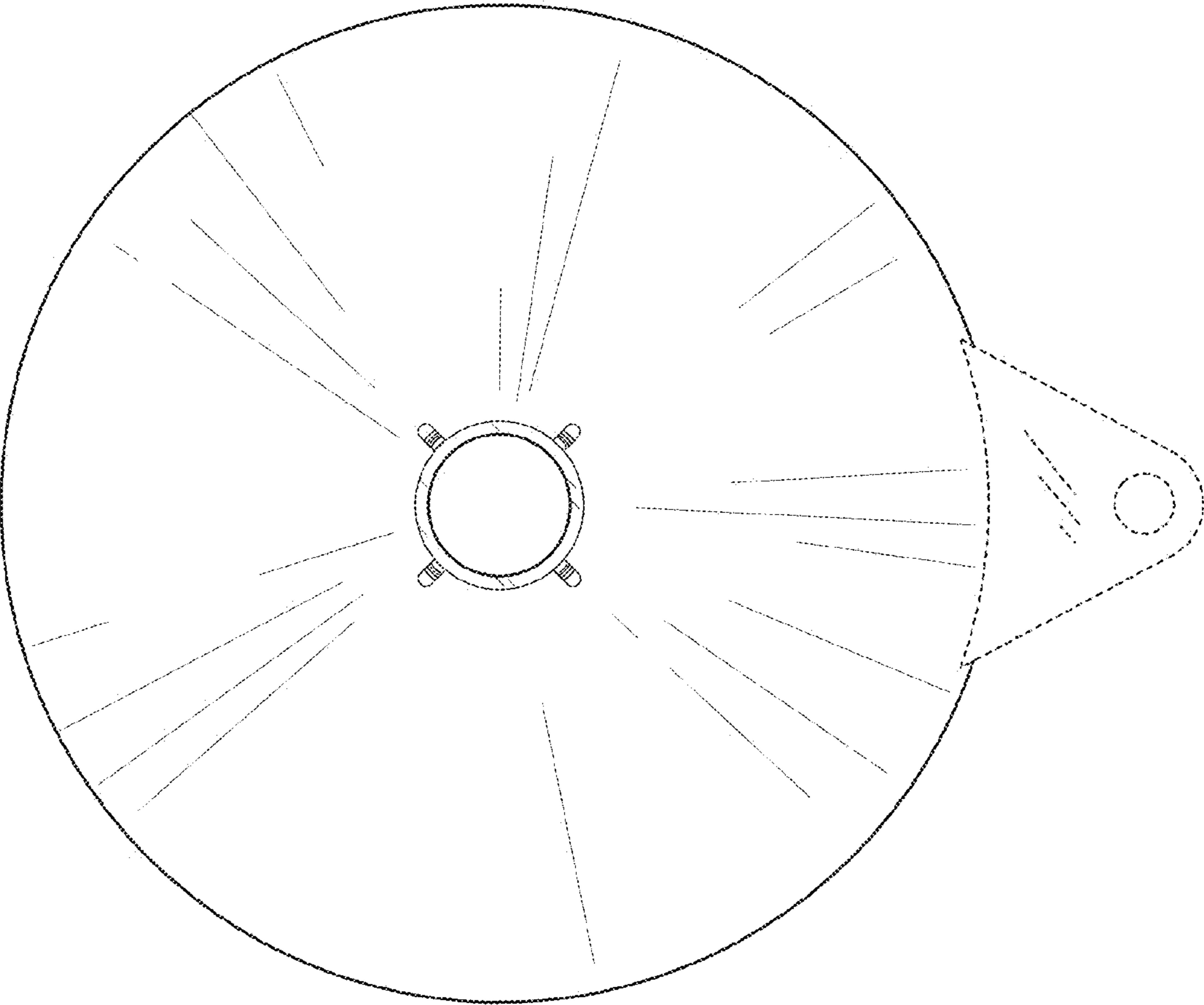


FIG. 5

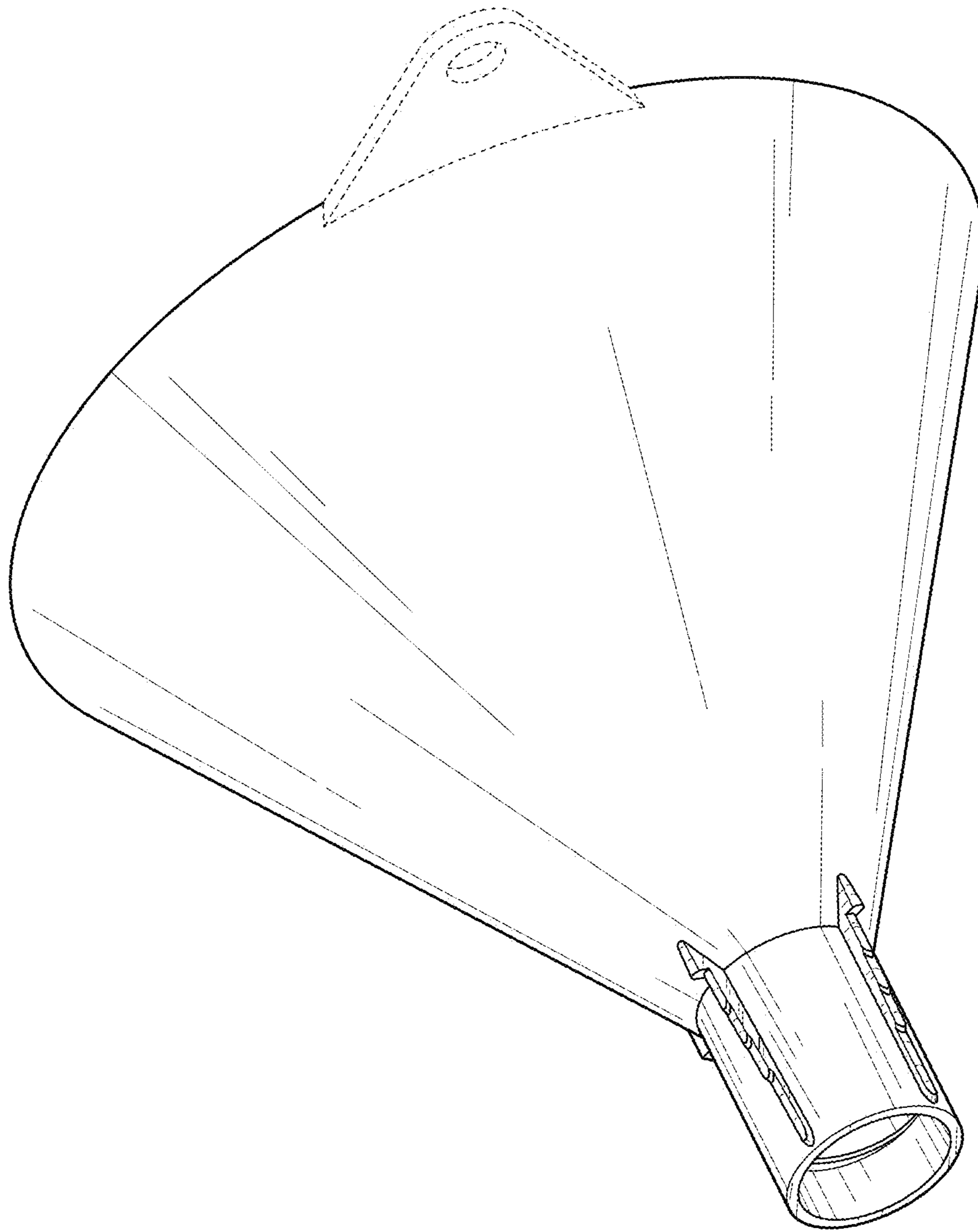


FIG. 6

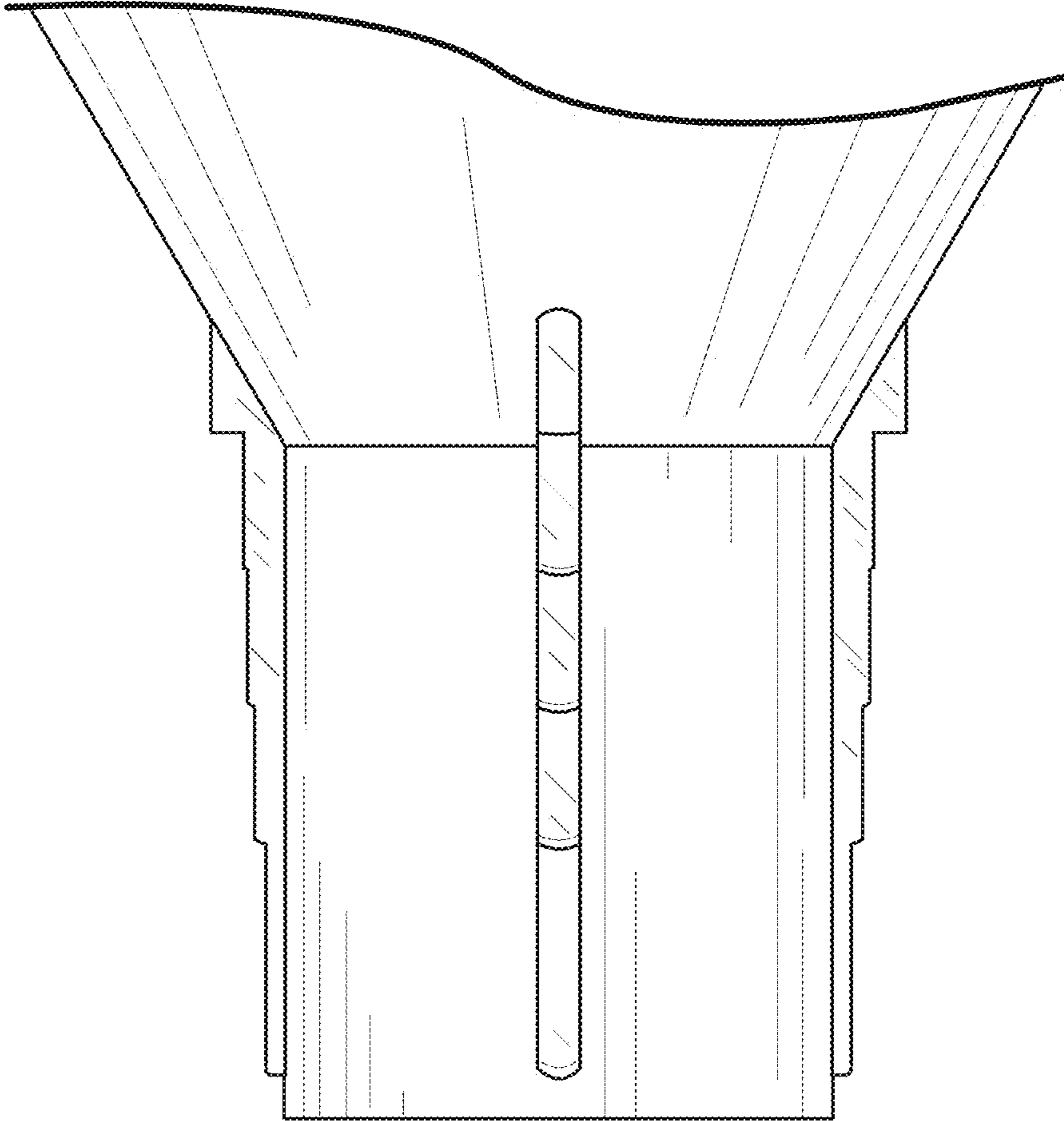


FIG. 7

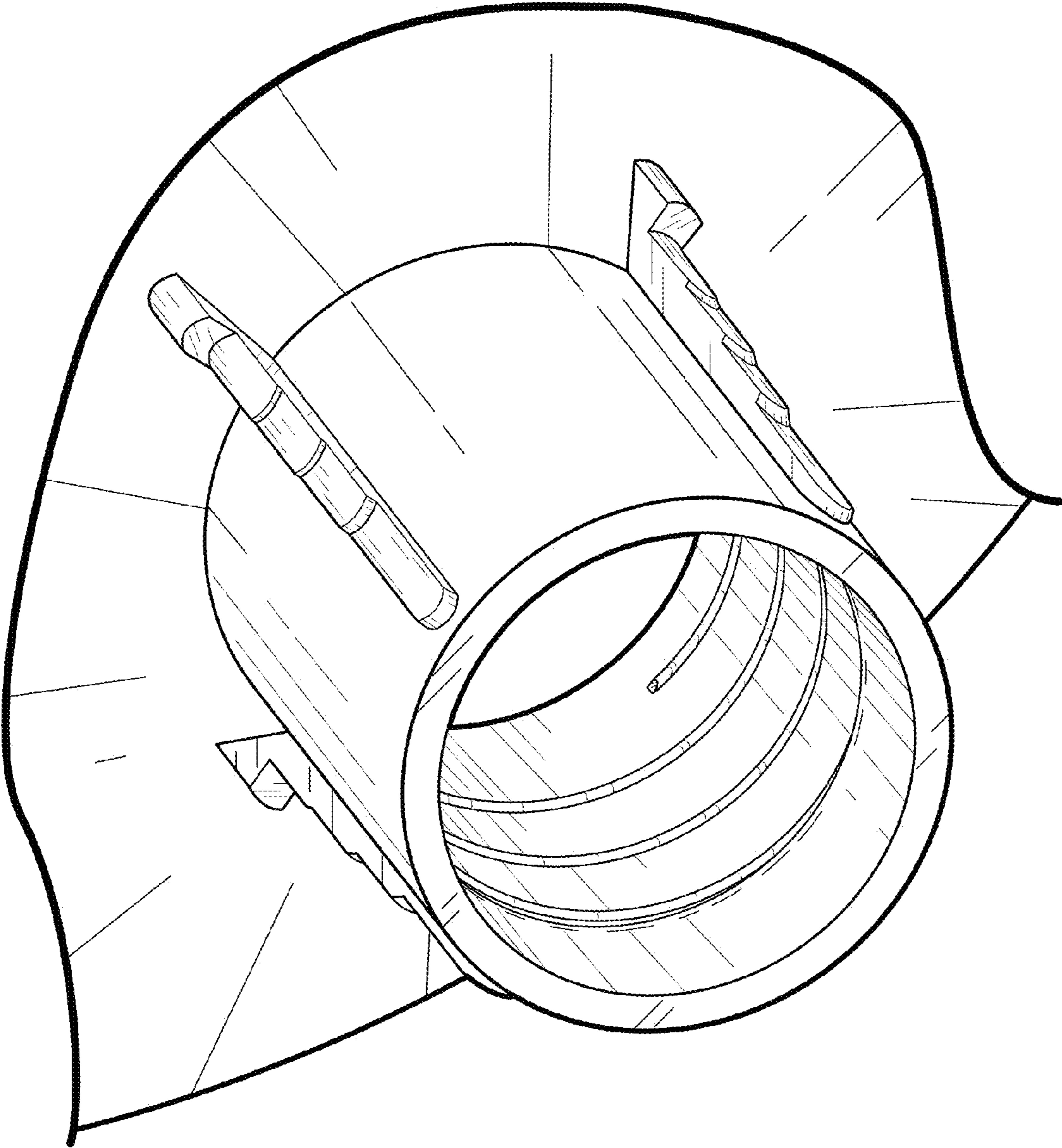


FIG. 8