



US00D738168S

(12) **United States Design Patent**
Henry et al.

(10) **Patent No.:** **US D738,168 S**

(45) **Date of Patent:** **** Sep. 8, 2015**

(54) **CITRUS REAMER**

(71) Applicant: **Robinson Home Products Inc.**,
Williamsville, NY (US)

(72) Inventors: **Lou Henry**, Scarsdale, NY (US); **John Healy**, Brooklyn, NY (US)

(73) Assignee: **Robinson Home Products Inc.**,
Williamsville, NY (US)

(**) Term: **14 Years**

(21) Appl. No.: **29/483,591**

(22) Filed: **Feb. 28, 2014**

(51) **LOC (10) Cl.** **07-04**

(52) **U.S. Cl.**
USPC **D7/665**

(58) **Field of Classification Search**
USPC D7/665, 666, 649, 650, 643, 645, 693,
D7/368, 669; 99/501-513; 241/168, 169,
241/169.1; 30/142, 143, 146-149, 278
CPC A47J 19/022; A47J 19/00; A47J 17/02;
G01F 19/00
See application file for complete search history.

(56) **References Cited**

U.S. PATENT DOCUMENTS

4,534,108 A * 8/1985 Yamamoto et al. 99/502
D399,101 S * 10/1998 Lillelund et al. D7/665
D500,938 S * 1/2005 Lee D7/665

D630,907 S * 1/2011 Reay D7/682
2007/0272091 A1 * 11/2007 Hsien 99/501
2011/0219959 A1 * 9/2011 Hauser 99/508
2013/0160213 A1 6/2013 Salles

* cited by examiner

Primary Examiner — Terry Wallace

(74) *Attorney, Agent, or Firm* — Florek & Endres PLLC

(57) **CLAIM**

The ornamental design for a citrus reamer, as shown and described.

DESCRIPTION

FIG. 1 is a perspective view of the citrus reamer of the invention.

FIG. 2 is a left side elevation of the citrus reamer of the invention.

FIG. 3 is a right side elevation of the citrus reamer of the invention.

FIG. 4 is a front elevation of the citrus reamer of the invention.

FIG. 5 is a rear elevation of the citrus reamer of the invention.

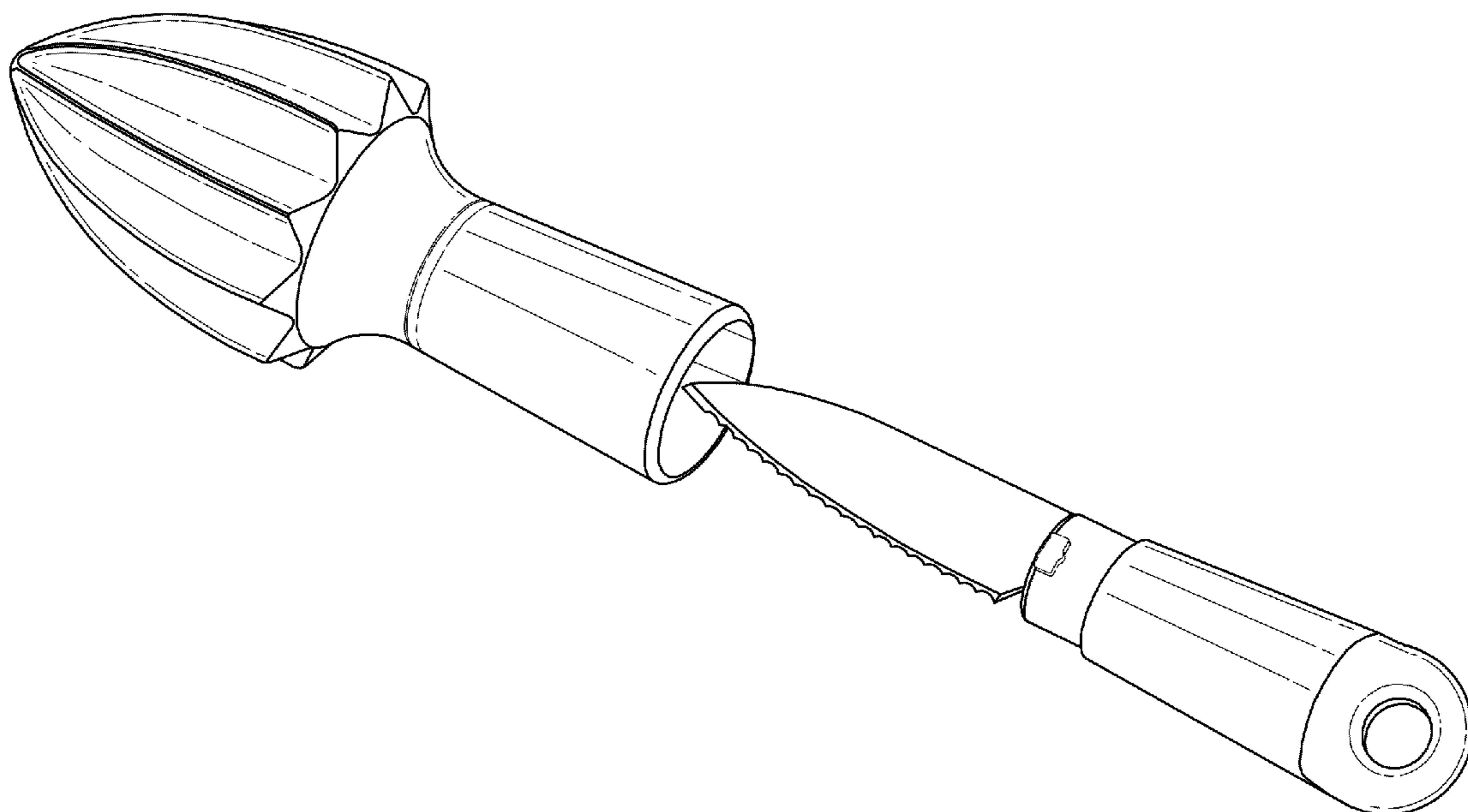
FIG. 6 is a bottom plan view of the citrus reamer of the invention.

FIG. 7 is a top plan view of the citrus reamer of the invention; and,

FIG. 8 is an exploded perspective view of the citrus reamer of the invention.

The broken lines in the drawings represent unclaimed features.

1 Claim, 7 Drawing Sheets



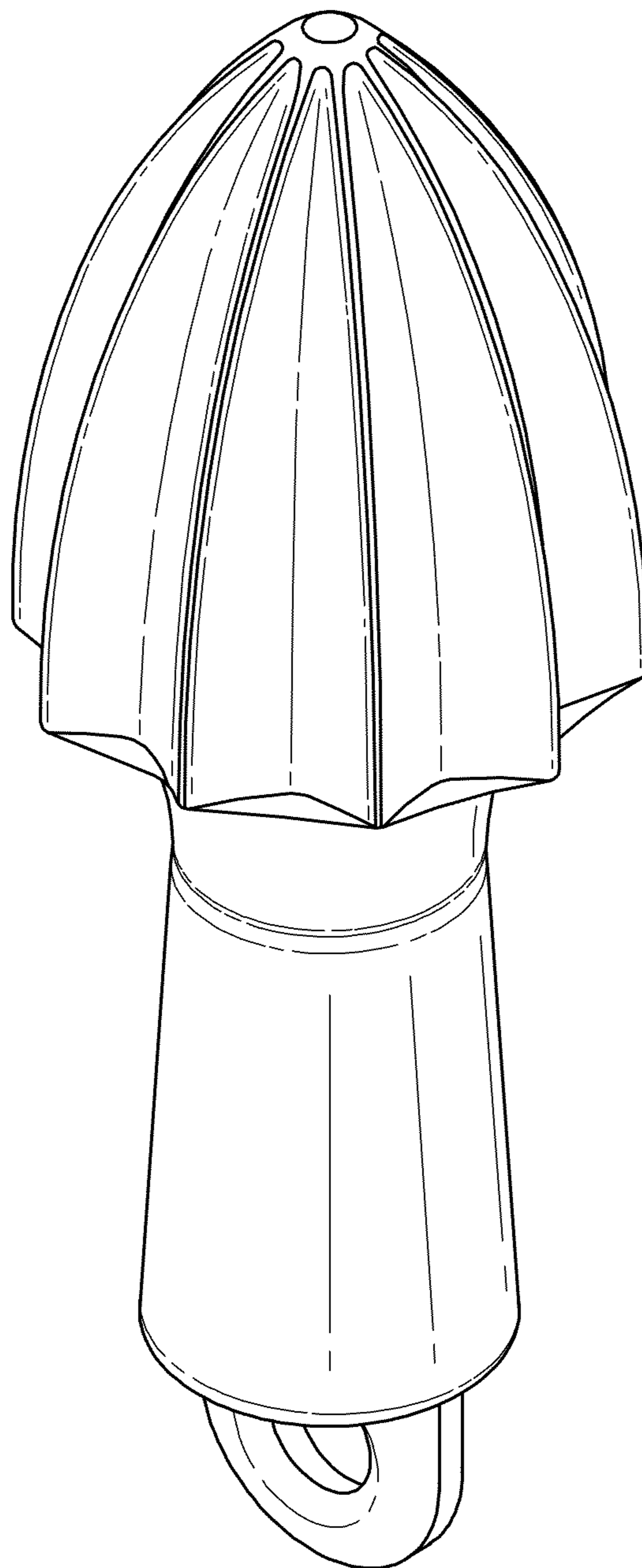


FIG. 1

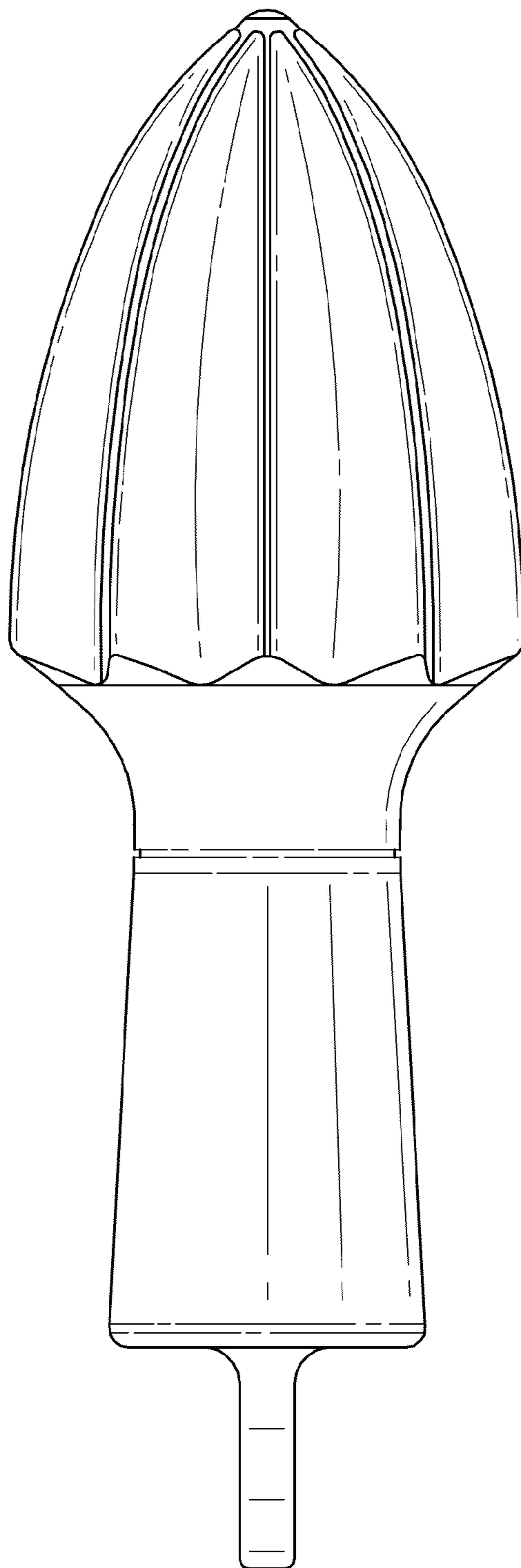


FIG. 2

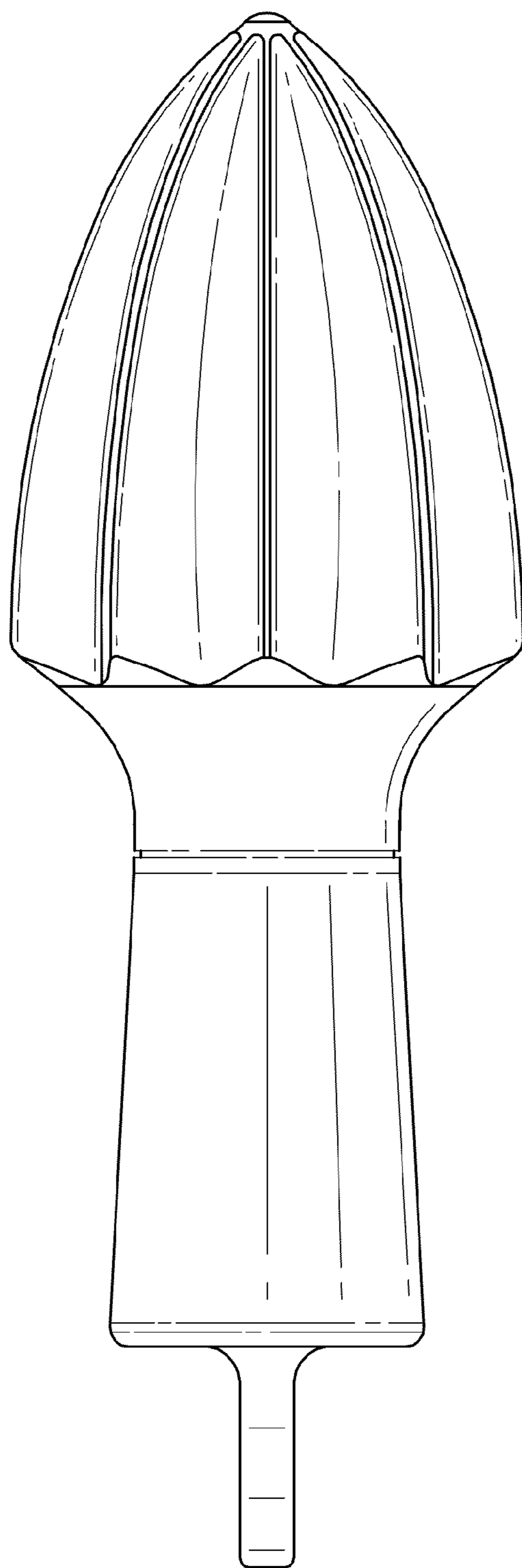


FIG. 3

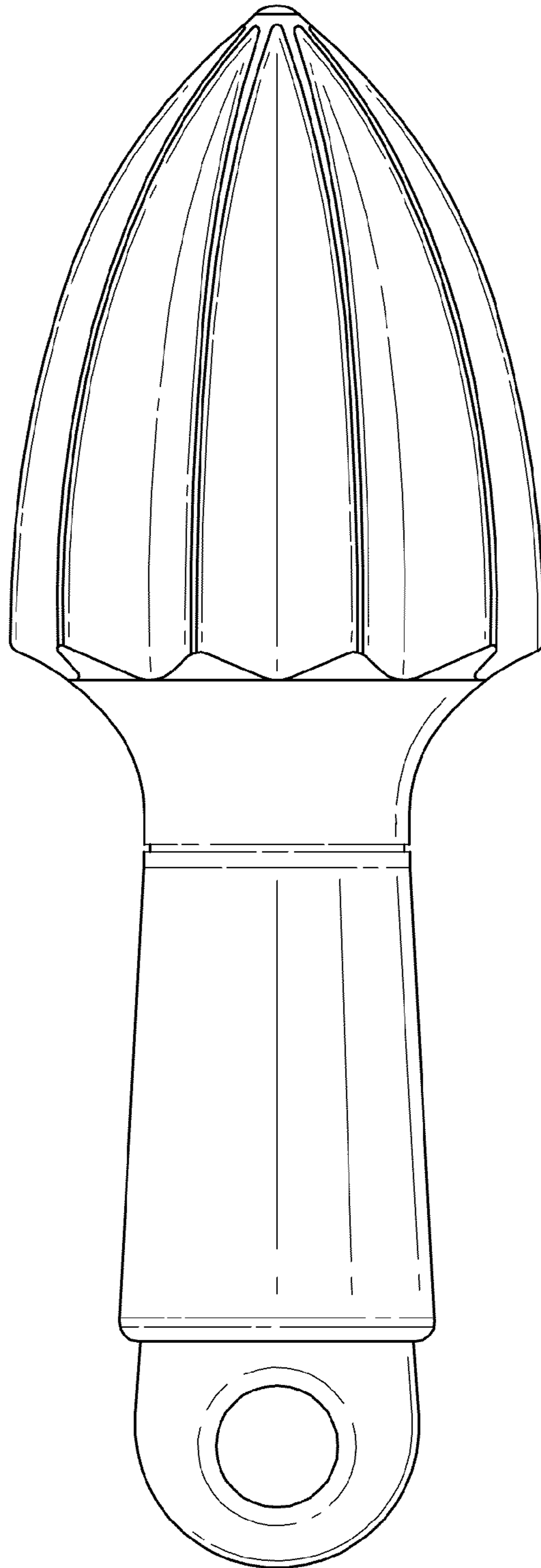


FIG. 4

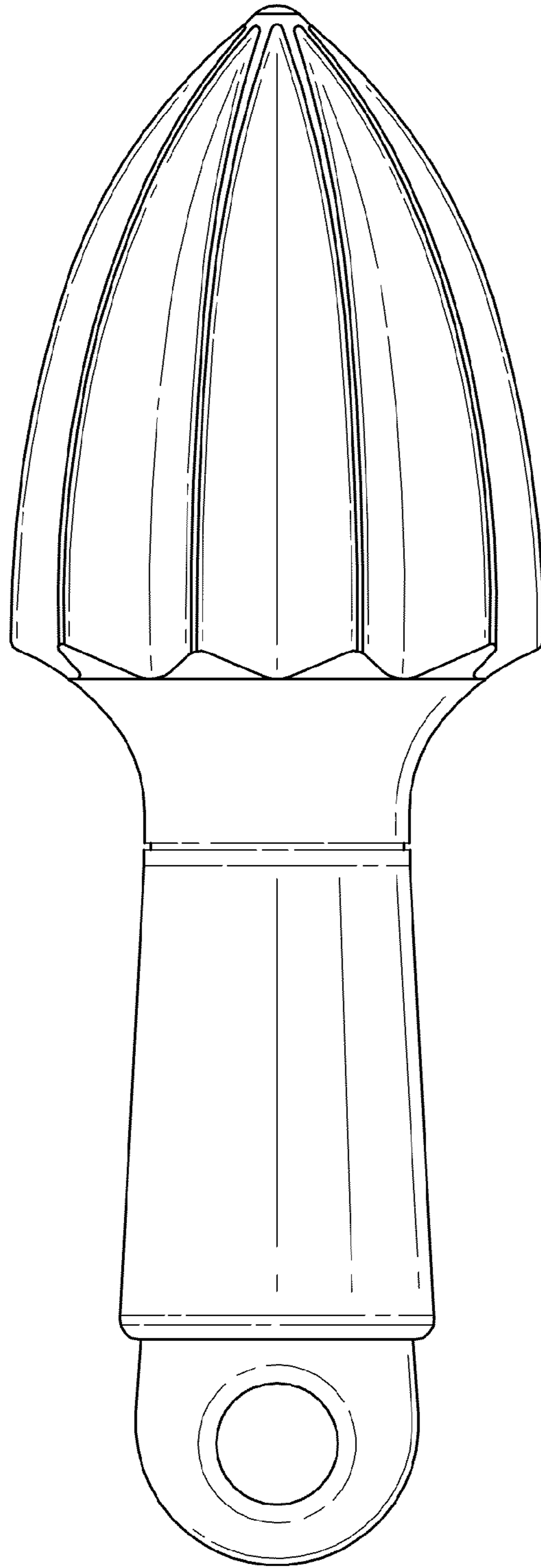


FIG. 5

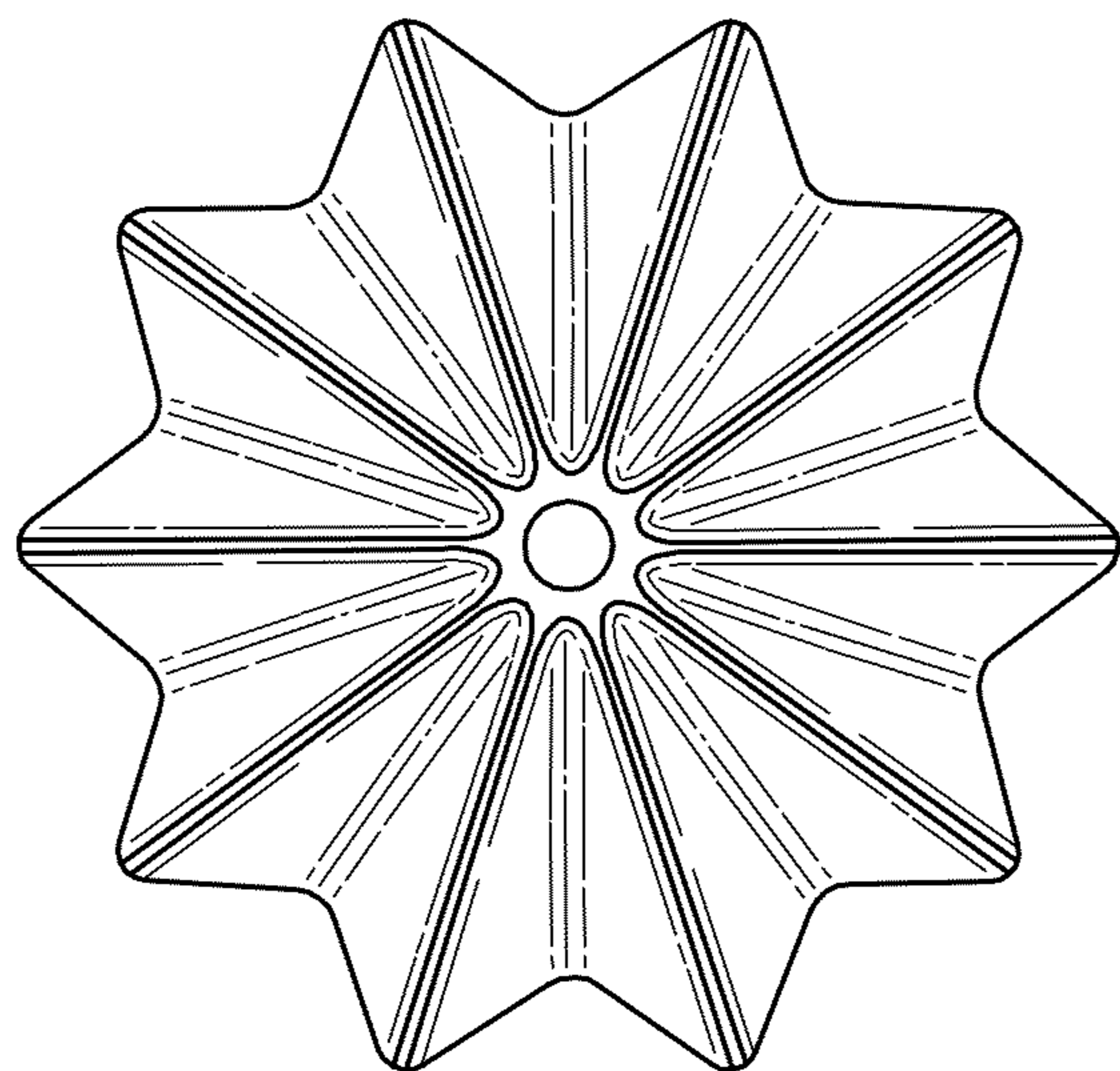


FIG. 6

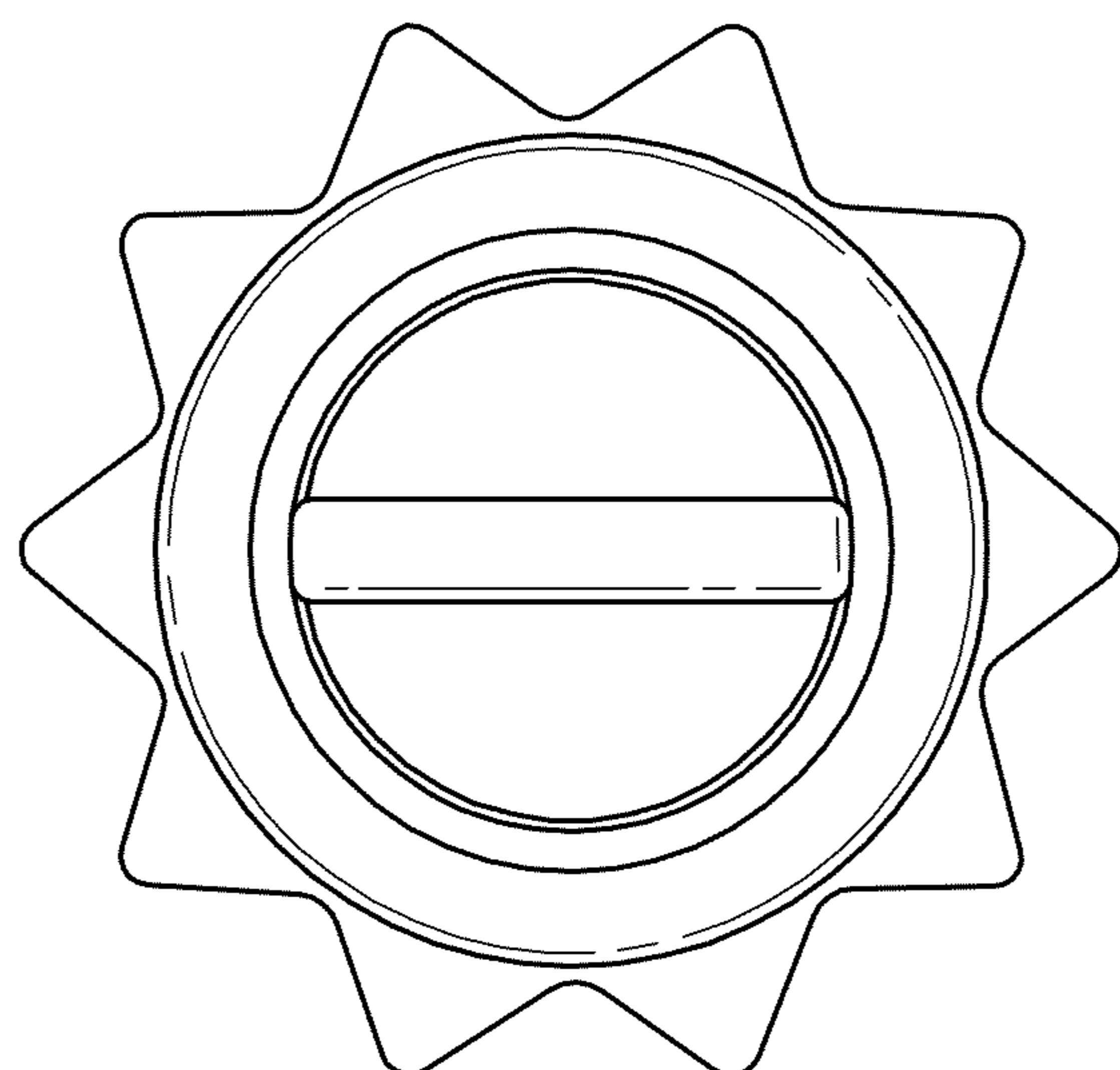


FIG. 7

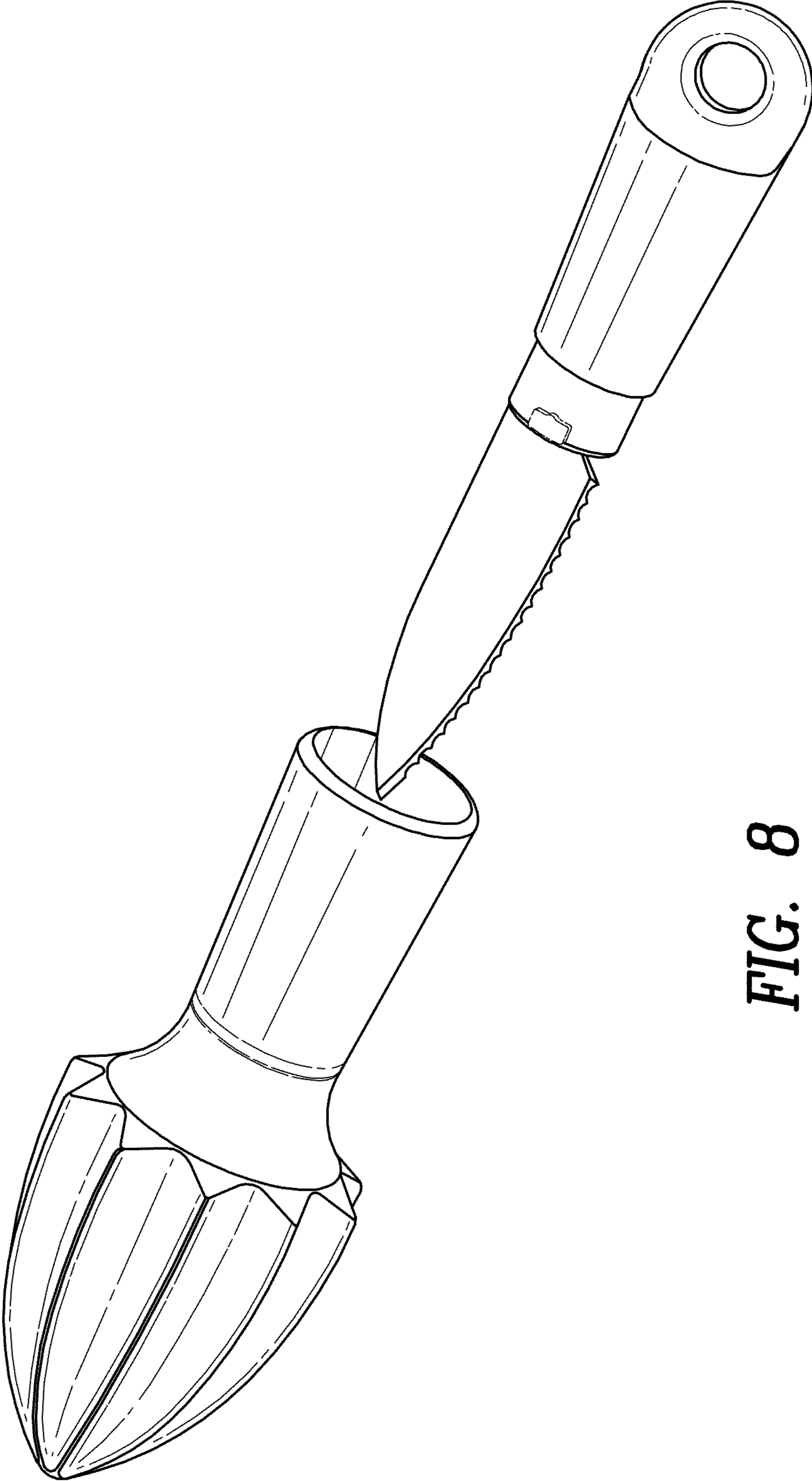


FIG. 8