



US00D738166S

(12) **United States Design Patent**  
**Goodman et al.**

(10) **Patent No.:** **US D738,166 S**  
(45) **Date of Patent:** **\*\* Sep. 8, 2015**

(54) **UTENSIL CADDY**

D433,287 S \* 11/2000 Goodman et al. .... D7/640  
D591,565 S \* 5/2009 Goodman et al. .... D7/637  
D698,209 S 1/2014 Goodman et al.

(71) Applicant: **Spectrum Diversified Designs, Inc.**,  
Streetsboro, OH (US)

\* cited by examiner

(72) Inventors: **Sheldon H. Goodman**, Solon, OH (US);  
**Phaysouk Xayoiphonh**, Akron, OH  
(US); **Jennifer K Case**, Middleburg  
Heights, OH (US)

*Primary Examiner* — Terry Wallace

(74) *Attorney, Agent, or Firm* — Renner, Otto, Boisselle &  
Sklar, LLP

(73) Assignee: **Spectrum Diversified Designs, Inc.**,  
Streetsboro, OH (US)

(57) **CLAIM**

The ornamental design for a utensil caddy, as shown and  
described.

(\*\*) Term: **14 Years**

**DESCRIPTION**

(21) Appl. No.: **29/484,156**

FIG. 1 is an enlarged perspective view of a utensil caddy  
showing our new design.

(22) Filed: **Mar. 6, 2014**

FIG. 2 is a front view thereof, a rear view being a mirror image  
of the front view.

(51) **LOC (10) Cl.** ..... **07-06**

FIG. 3 is a right side view thereof.

(52) **U.S. Cl.**

FIG. 4 is a left side view thereof.

USPC ..... **D7/640**

FIG. 5 is a cross-section showing the surface contour of a wire  
element of the utensil caddy taken along the line 5-5 in FIG.  
3 and shown in the scale of FIG. 3.

(58) **Field of Classification Search**

USPC ..... D7/637-641, 619.1-625, 600.1-600.4;  
D19/75, 77, 81, 84; D6/673, 675.2,  
D6/675.5, 676.5, 677.5, 678.4, 680.3;  
211/181.1, 70.1, 70.6, 70.7, 71.01, 74,  
211/69.1-69.9, 41.1-41.4

FIG. 6 is a top view thereof.

CPC ..... A47J 47/16; A47G 21/14

FIG. 7 is a bottom view thereof.

See application file for complete search history.

FIG. 8 is an enlarged perspective view of the utensil caddy,  
which is the same as the utensil caddy of FIGS. 1-7 but the  
cross-sectional shape of the wire forming the upper rim, the  
handle member and selected upright members is different;  
and,

(56) **References Cited**

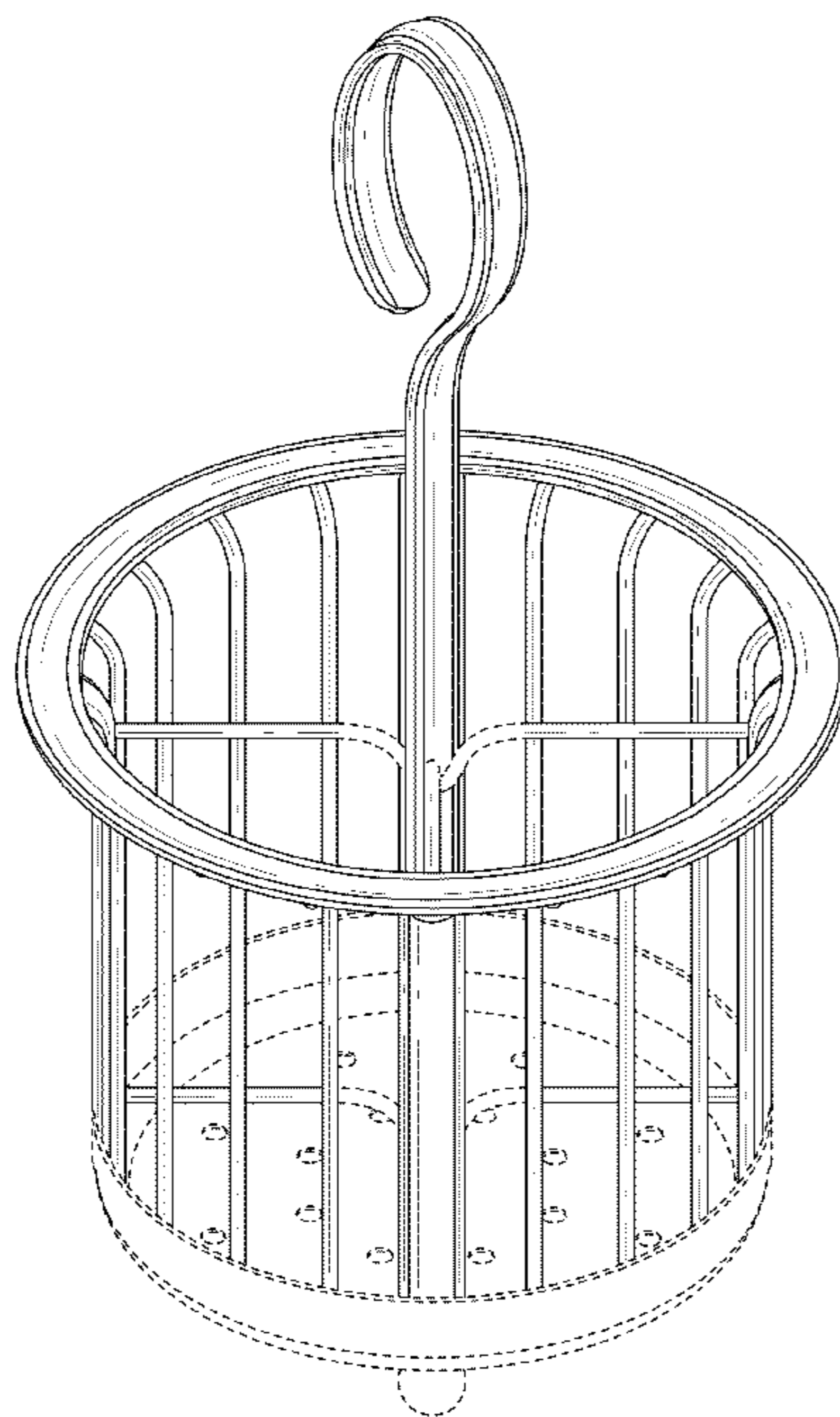
**U.S. PATENT DOCUMENTS**

4,836,392 A \* 6/1989 Constantino ..... 211/41.9  
D397,000 S \* 8/1998 Goodman et al. .... D7/637

FIG. 9 is a cross-section showing the surface contour of a wire  
element of the utensil caddy taken along the line 9-9 in FIG.  
8 and shown in the scale of FIG. 8.

The broken lines shown herein are for illustrative purposes  
only and form no part of the claimed design.

**1 Claim, 4 Drawing Sheets**



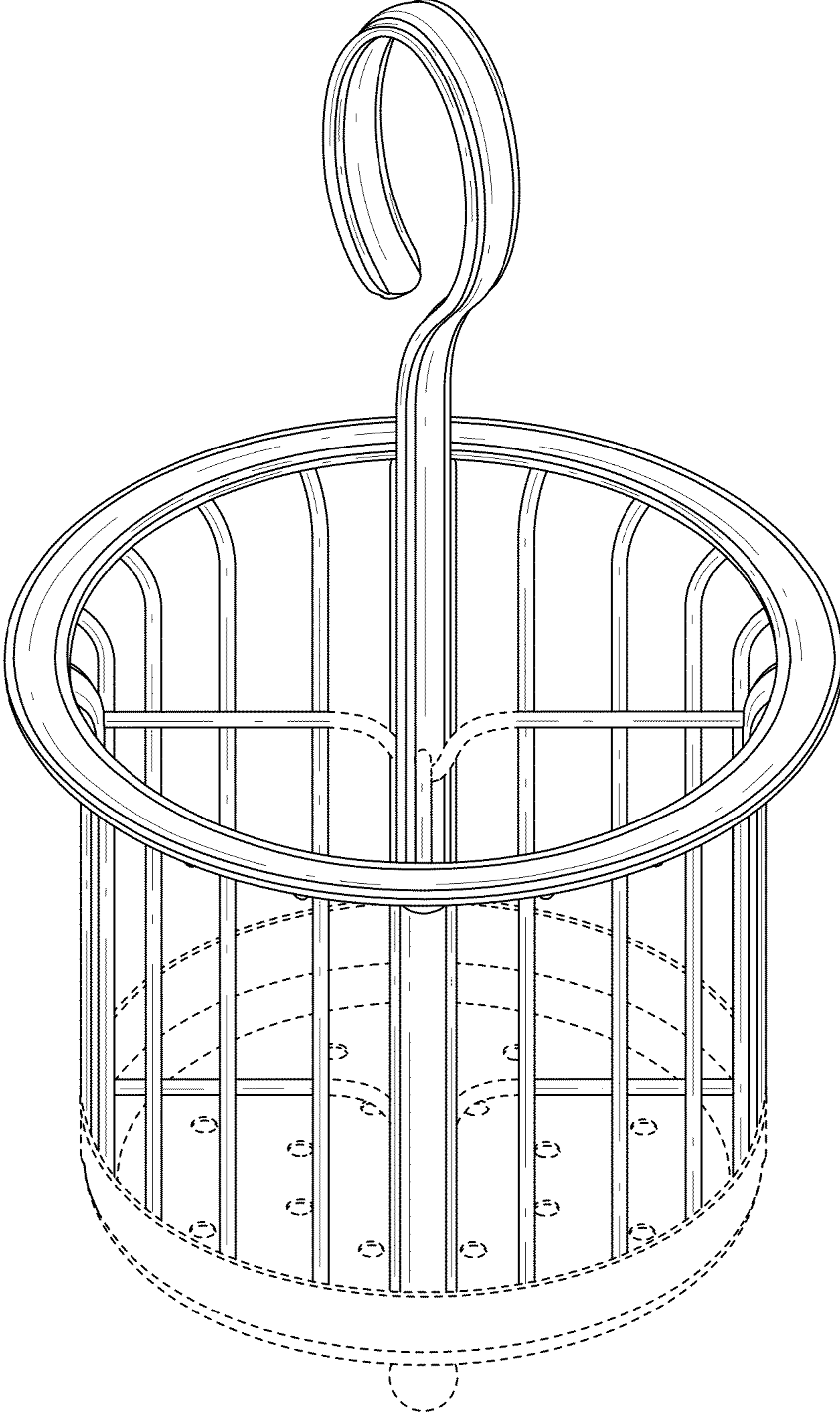


FIG. 1

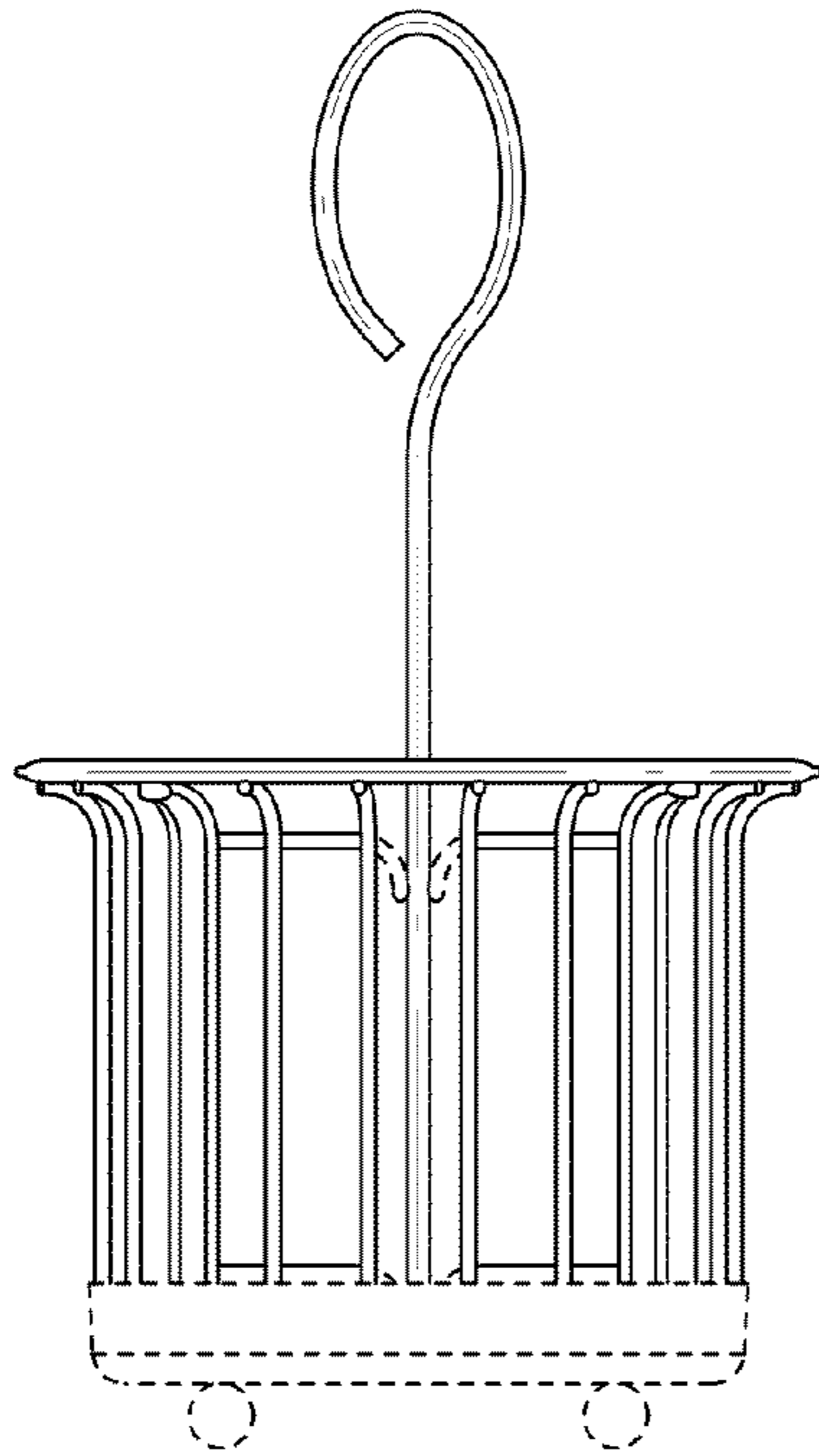


FIG. 2

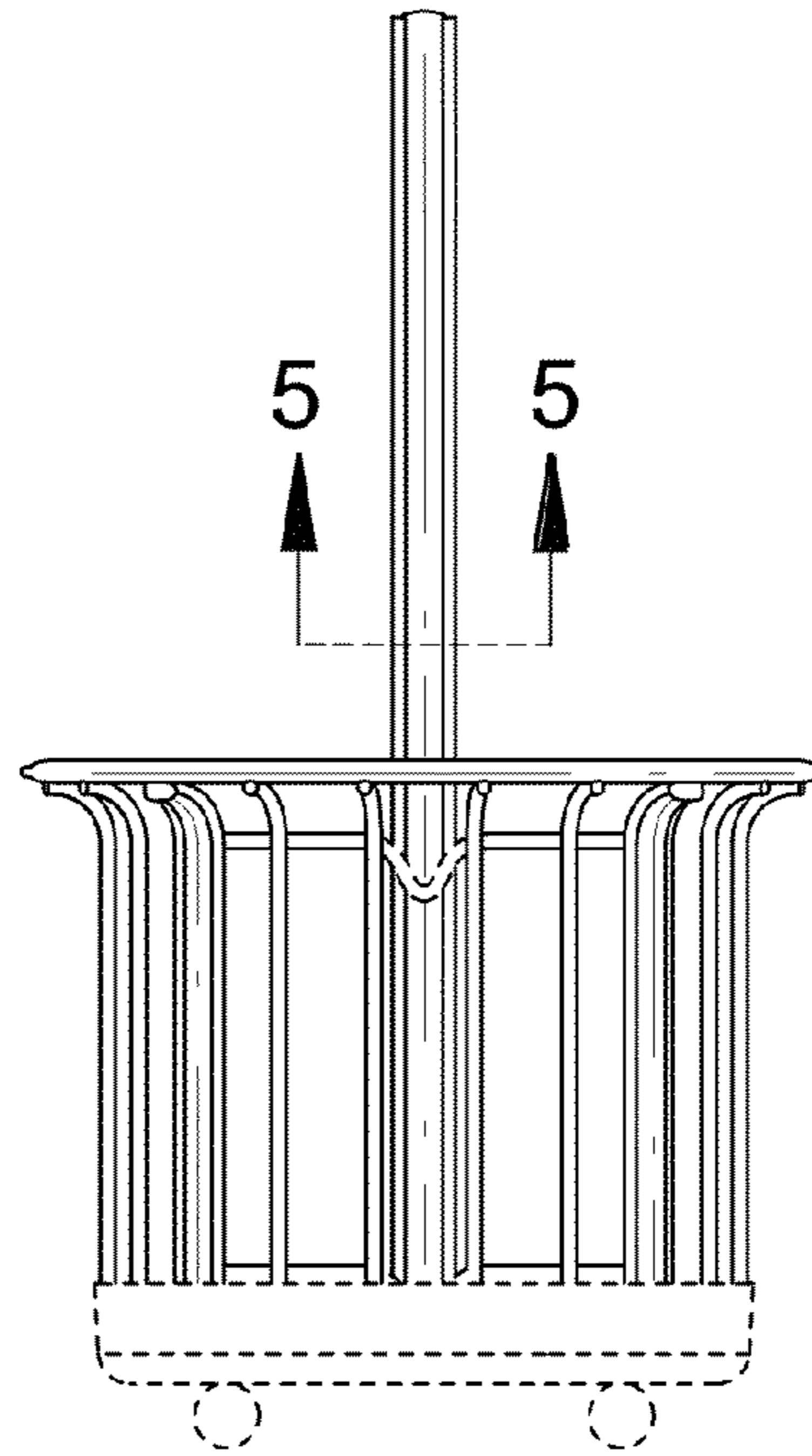


FIG. 3

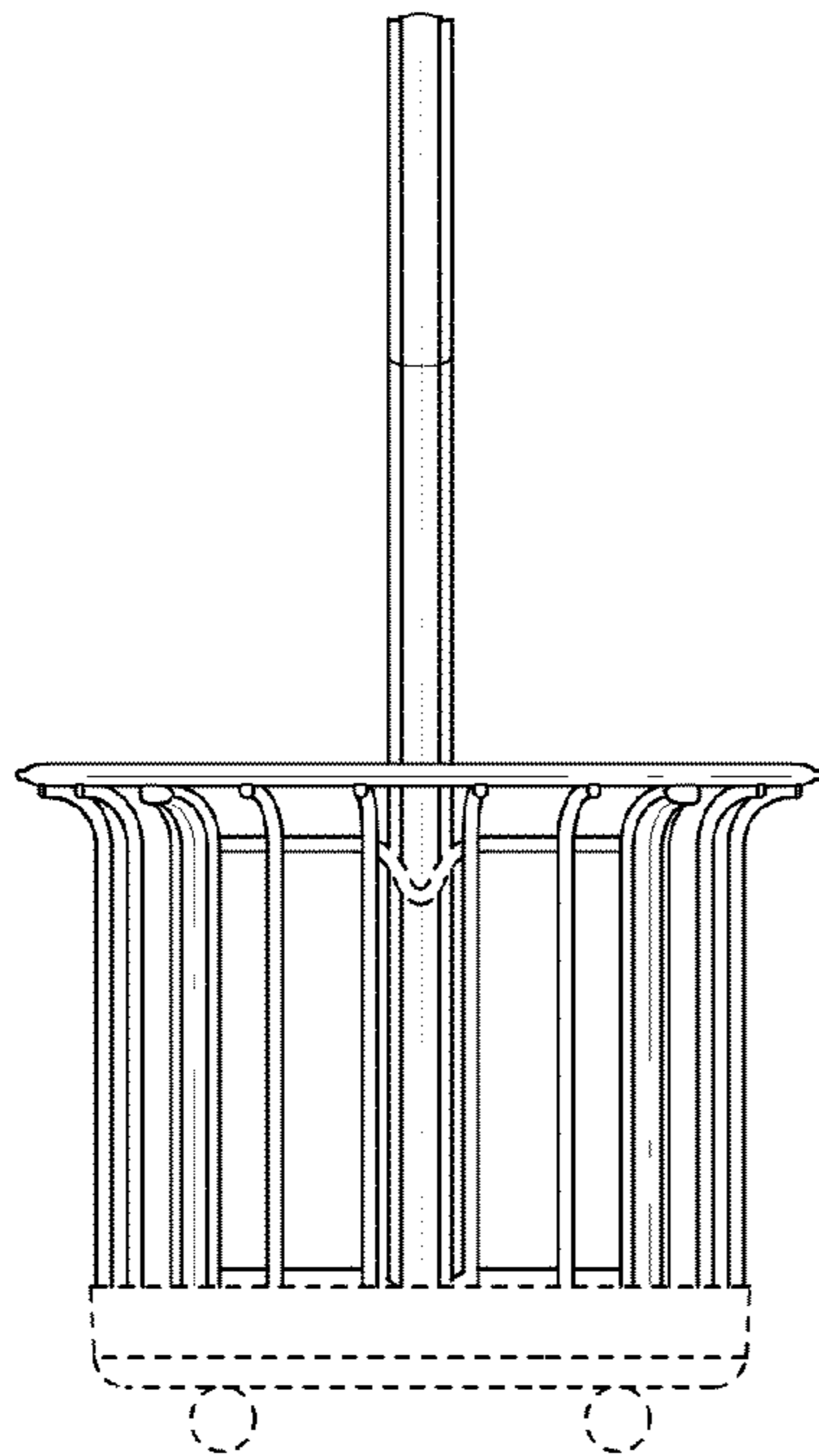


FIG. 4

FIG. 5

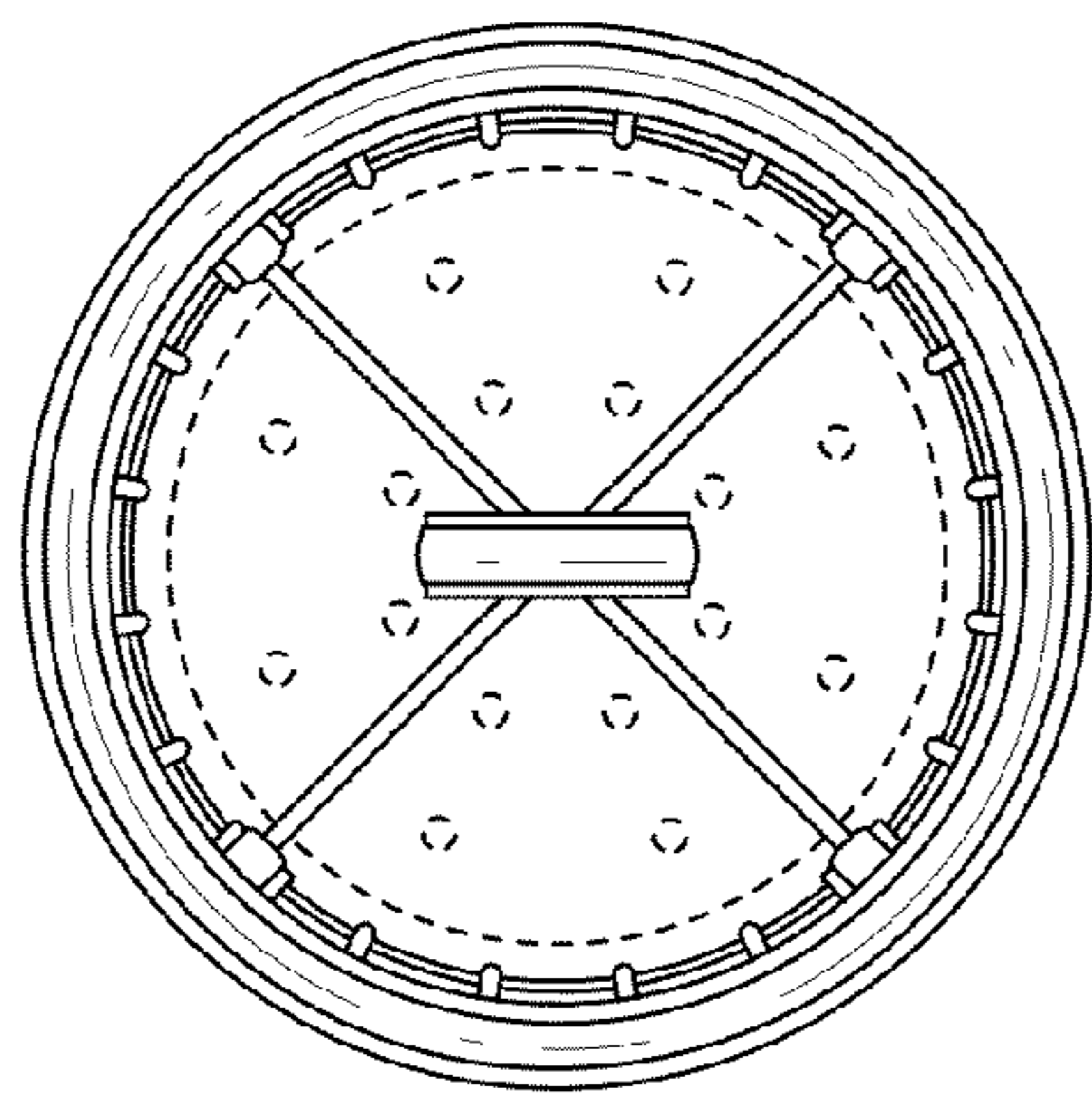


FIG. 6

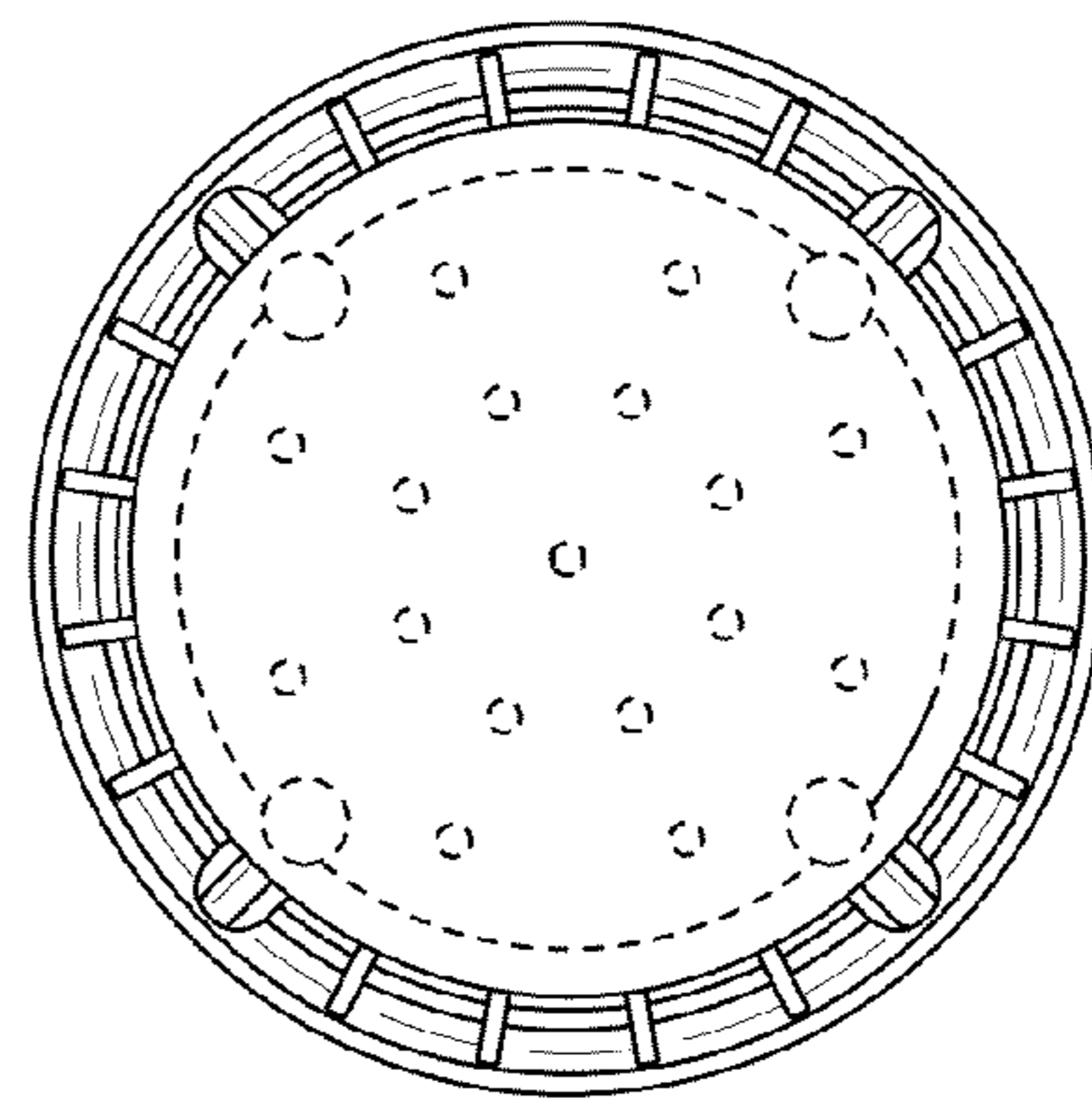


FIG. 7

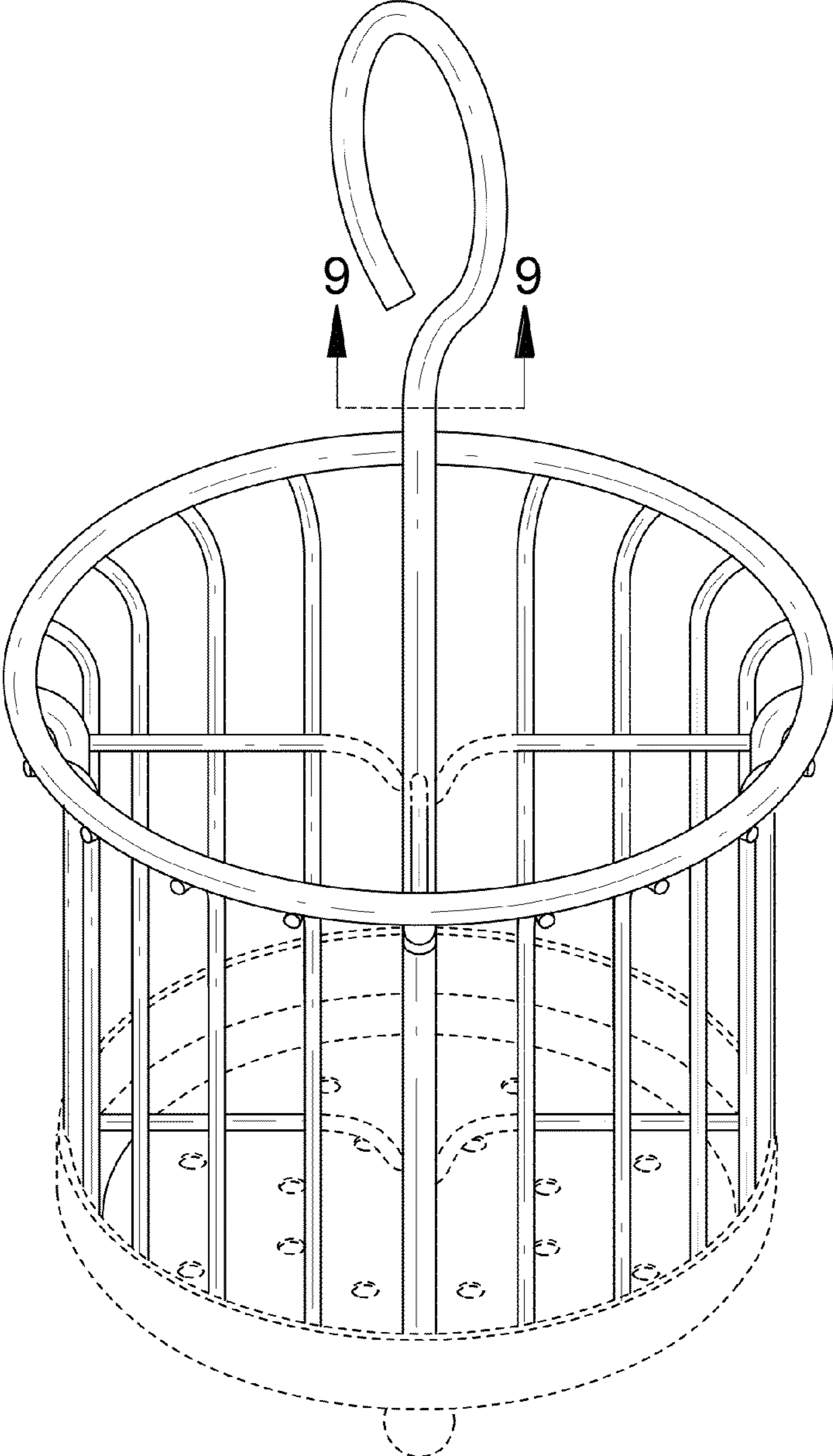


FIG. 8



FIG. 9