



US00D738164S

(12) **United States Design Patent**  
**Menjor**

(10) **Patent No.:** **US D738,164 S**  
(45) **Date of Patent:** **\*\* Sep. 8, 2015**

(54) **FOOD PLATE WITH UTENSIL HOLDER**

(71) Applicant: **Francis Menjor**, Decatur, GA (US)

(72) Inventor: **Francis Menjor**, Decatur, GA (US)

(\*\*) Term: **14 Years**

(21) Appl. No.: **29/468,952**

(22) Filed: **Oct. 4, 2013**

(51) **LOC (10) Cl.** ..... **07-01**

(52) **U.S. Cl.**  
USPC ..... **D7/553.8**

(58) **Field of Classification Search**  
USPC ..... D7/357, 541, 546, 548, 553.1, 553.6,  
D7/550.1, 584, 500, 586, 558, 553.8,  
D7/553.5, 553.4, 552.2; D30/130;  
206/561, 521.15; 220/575, 500, 506,  
220/574; D9/737, 761  
CPC ..... A47G 19/00; B65D 25/04  
See application file for complete search history.

(56) **References Cited**

**U.S. PATENT DOCUMENTS**

D351,085 S \* 10/1994 Schmidt ..... D7/507  
D368,627 S \* 4/1996 McSpadden ..... D7/553.6

D410,820 S \* 6/1999 Lofrano ..... D7/549  
D429,963 S \* 8/2000 Maniaci ..... D7/549  
6,149,027 A \* 11/2000 Rathjen ..... 220/574  
D463,217 S \* 9/2002 Yang ..... D7/555  
D526,161 S \* 8/2006 Roth et al. .... D7/540  
D527,224 S \* 8/2006 Roth et al. .... D7/540  
D653,084 S \* 1/2012 Borghini ..... D7/553.8  
8,186,530 B2 \* 5/2012 Bar ..... 220/17.1  
D681,888 S \* 5/2013 Fang ..... D30/132  
D715,596 S \* 10/2014 Osborne ..... D7/555  
8,985,379 B1 \* 3/2015 Evans ..... 220/556

\* cited by examiner

*Primary Examiner* — Cynthia Underwood  
(74) *Attorney, Agent, or Firm* — Crossley Patent Law

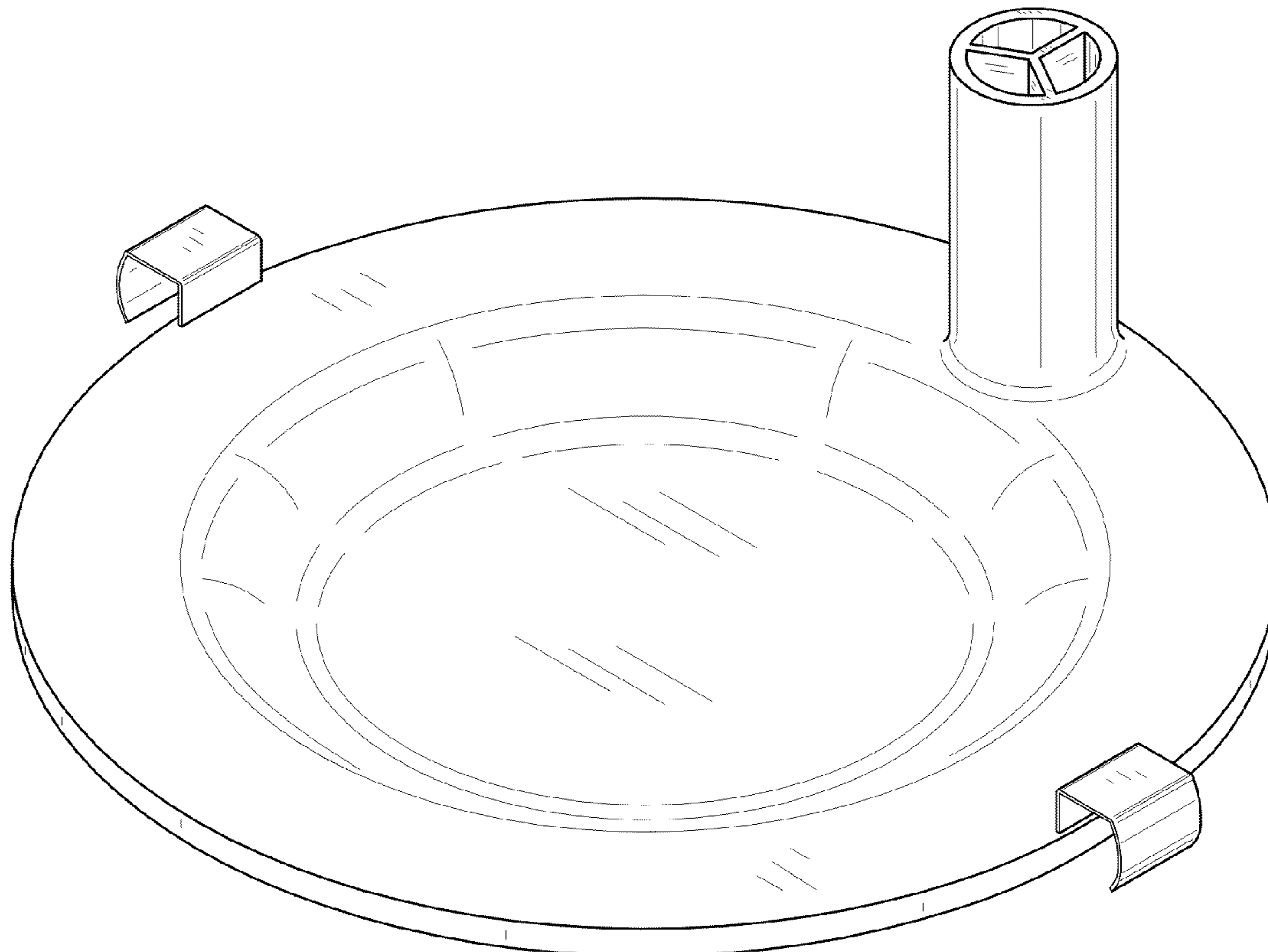
(57) **CLAIM**

The ornamental design for a food plate with utensil holder, as shown and described.

**DESCRIPTION**

FIG. 1 is a top plan view of a food plate with utensil holder showing my new design;  
FIG. 2 is a bottom plan view thereof;  
FIG. 3 is a right elevation view thereof, the opposite side being a mirror image of the shown;  
FIG. 4 is a front elevation view thereof, the opposite side being a mirror image of the shown; and,  
FIG. 5 is an isometric view thereof.

**1 Claim, 5 Drawing Sheets**



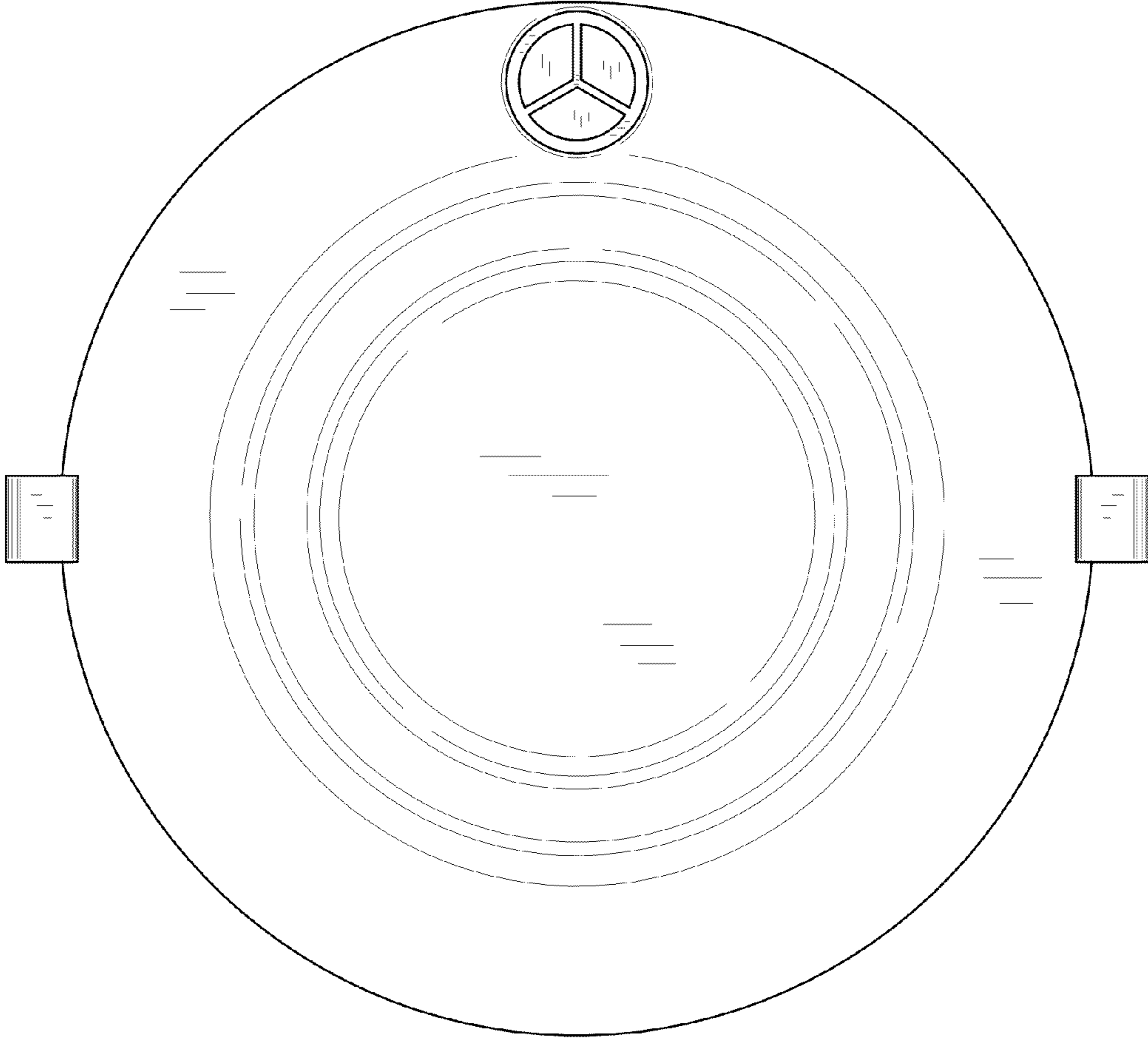


FIG. 1

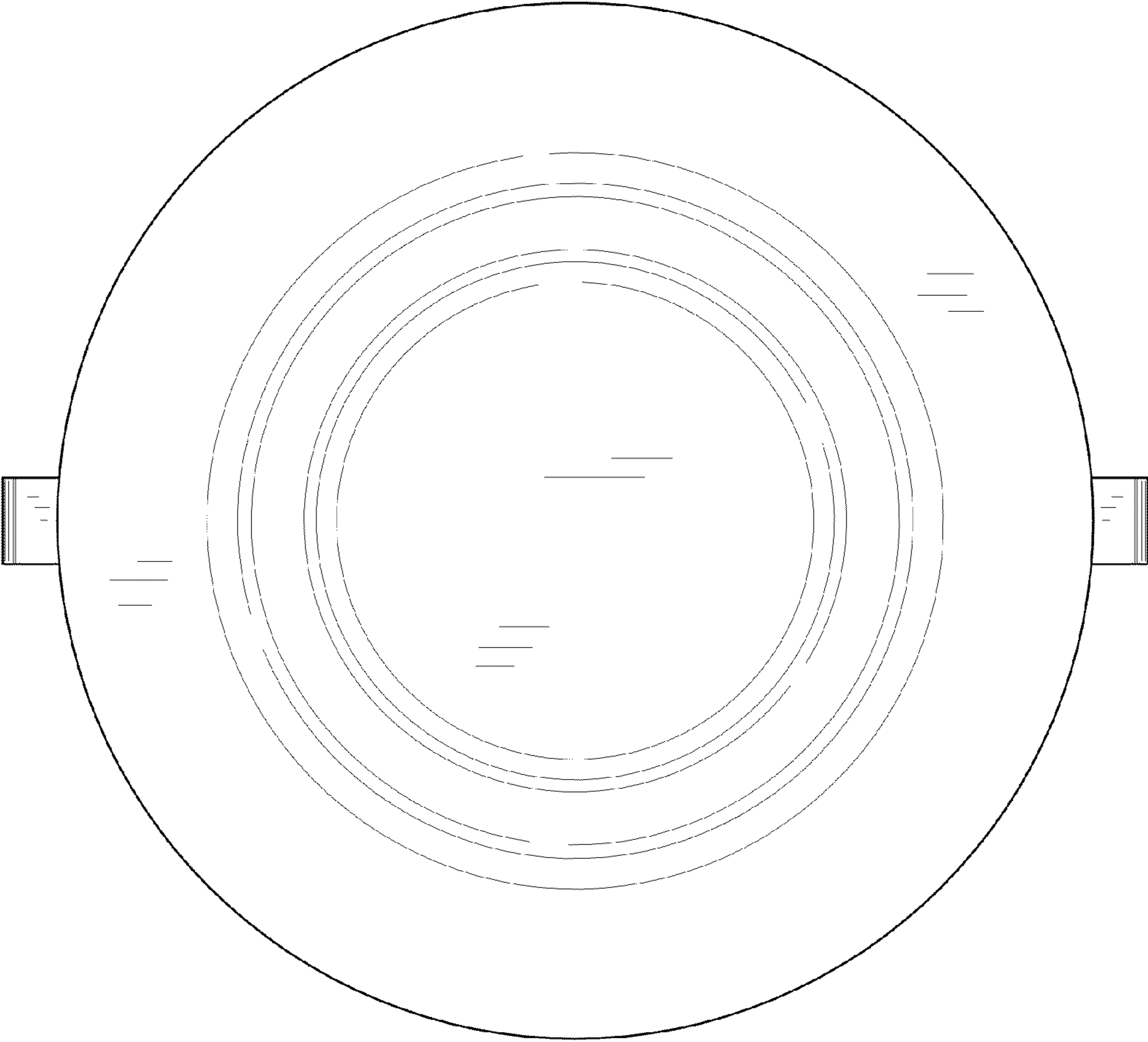


FIG. 2

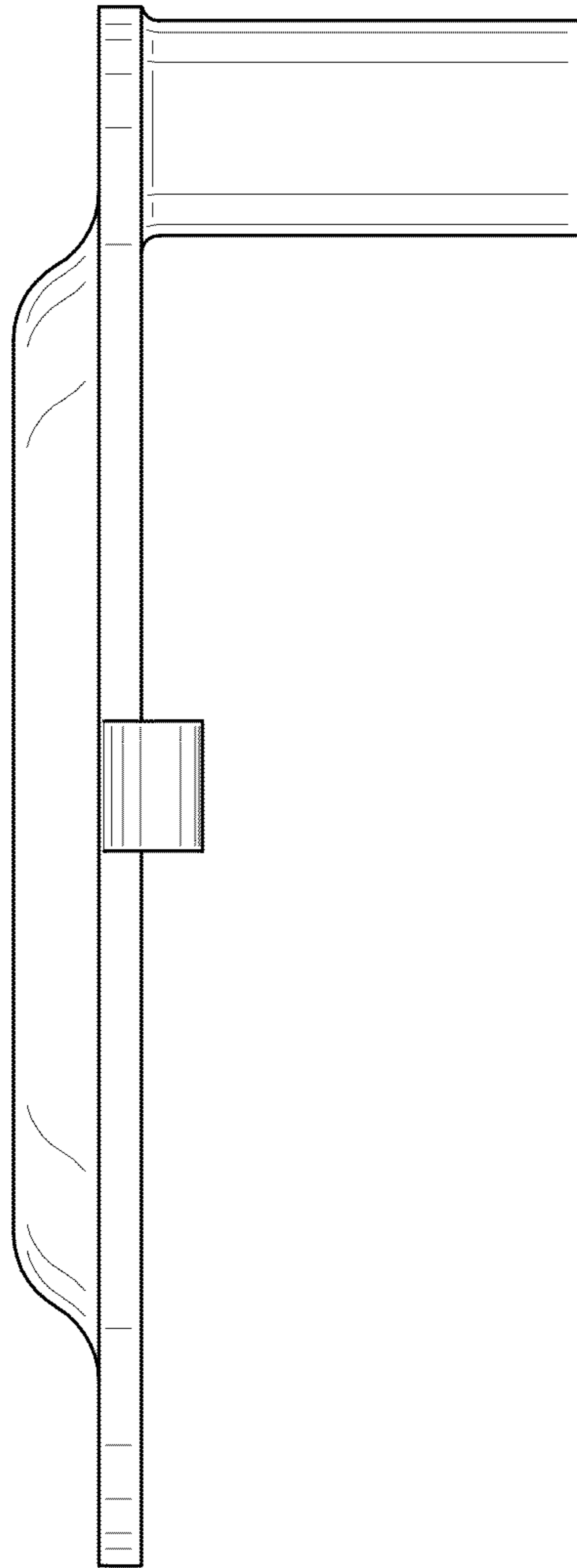


FIG. 3

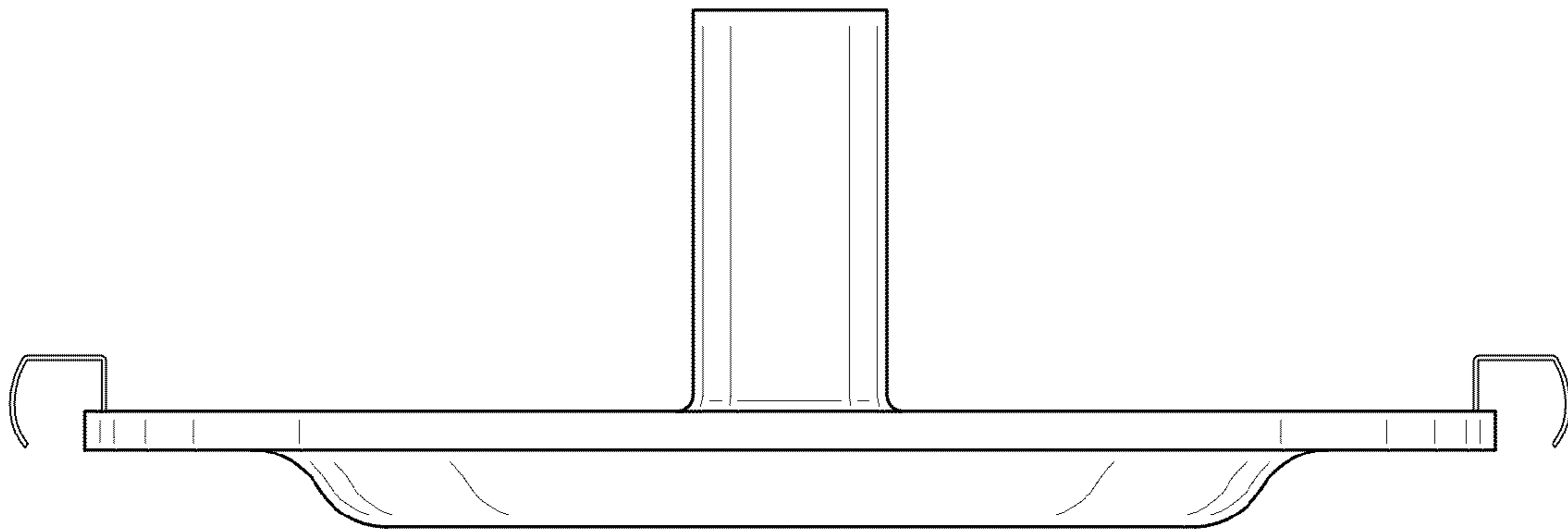


FIG. 4

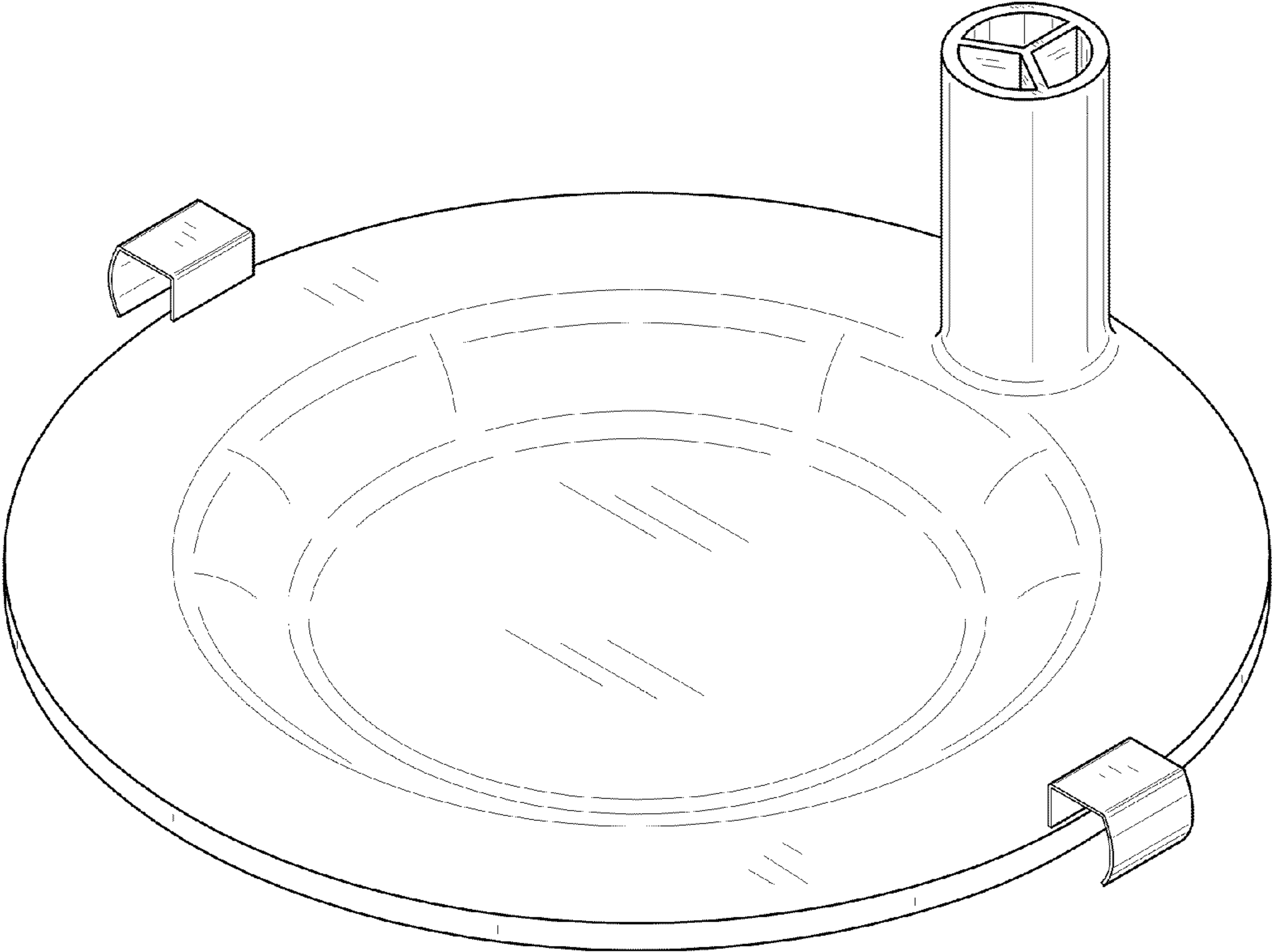


FIG. 5