



US00D738158S

(12) **United States Design Patent**
Cheng

(10) **Patent No.:** **US D738,158 S**

(45) **Date of Patent:** **** Sep. 8, 2015**

(54) **COOKWARE VESSEL**

(71) Applicant: **Meyer Intellectual Properties Ltd.,**
Kowloon (HK)

(72) Inventor: **Stanley Kin Sui Cheng,** Hillsborough,
CA (US)

(73) Assignee: **Meyer Intellectual Properties Limited**
(VG)

(**) Term: **14 Years**

(21) Appl. No.: **29/496,631**

(22) Filed: **Jul. 15, 2014**

D511,074 S *	11/2005	Claypool et al.	D7/602
D542,591 S *	5/2007	Carlson	D7/354
D575,992 S *	9/2008	LeGreve et al.	D7/586
D579,716 S *	11/2008	Pawson et al.	D7/361
D612,732 S *	3/2010	Takata et al.	D9/500
D625,149 S *	10/2010	Stamper	D7/538
D645,705 S *	9/2011	Shamoon	D7/543
D645,748 S *	9/2011	Sharma et al.	D9/503
D646,925 S *	10/2011	Okajima et al.	D7/402
D649,054 S *	11/2011	Sharma et al.	D9/500
D652,671 S *	1/2012	Cheng	D7/354
D657,249 S *	4/2012	Bakic	D9/503
D665,627 S *	8/2012	De Winter	D7/545
D666,461 S *	9/2012	Siegel	D7/629
D670,042 S *	10/2012	Anderson	D30/129
D689,730 S *	9/2013	Goto et al.	D7/354
D699,078 S *	2/2014	Katterheinrich et al.	D7/587
D709,317 S *	7/2014	Cheng	D7/354
D710,686 S *	8/2014	Gowens	D9/429

(Continued)

Related U.S. Application Data

(62) Division of application No. 29/445,011, filed on Feb. 6, 2013, now Pat. No. Des. 709,317.

(51) **LOC (10) Cl.** **07-02**

(52) **U.S. Cl.**
USPC **D7/354**

(58) **Field of Classification Search**
USPC D7/323, 354-363, 391, 393-396, 402,
D7/409, 538, 543, 545, 584-587, 602,
D7/629; D9/429, 500, 503; D30/129
CPC A47G 19/12; A47J 27/00; A47J 27/002;
A47J 27/08; A47J 27/21; A47J 27/58; A47J
36/025; A47J 36/06; A47J 36/12; A47J 37/00;
A47J 37/10; A47J 37/101; A47J 37/103;
A47J 37/12; A47J 37/1204; A47J 45/061;
A47J 45/071; A47J 45/08; H05B 6/12
See application file for complete search history.

(56) **References Cited**

U.S. PATENT DOCUMENTS

D239,999 S *	5/1976	Christain	D7/584
D414,375 S *	9/1999	Diulus	D7/354
D482,562 S *	11/2003	Demers	D7/354

Primary Examiner — Ricky Pham

(74) *Attorney, Agent, or Firm* — Edward S. Sherman

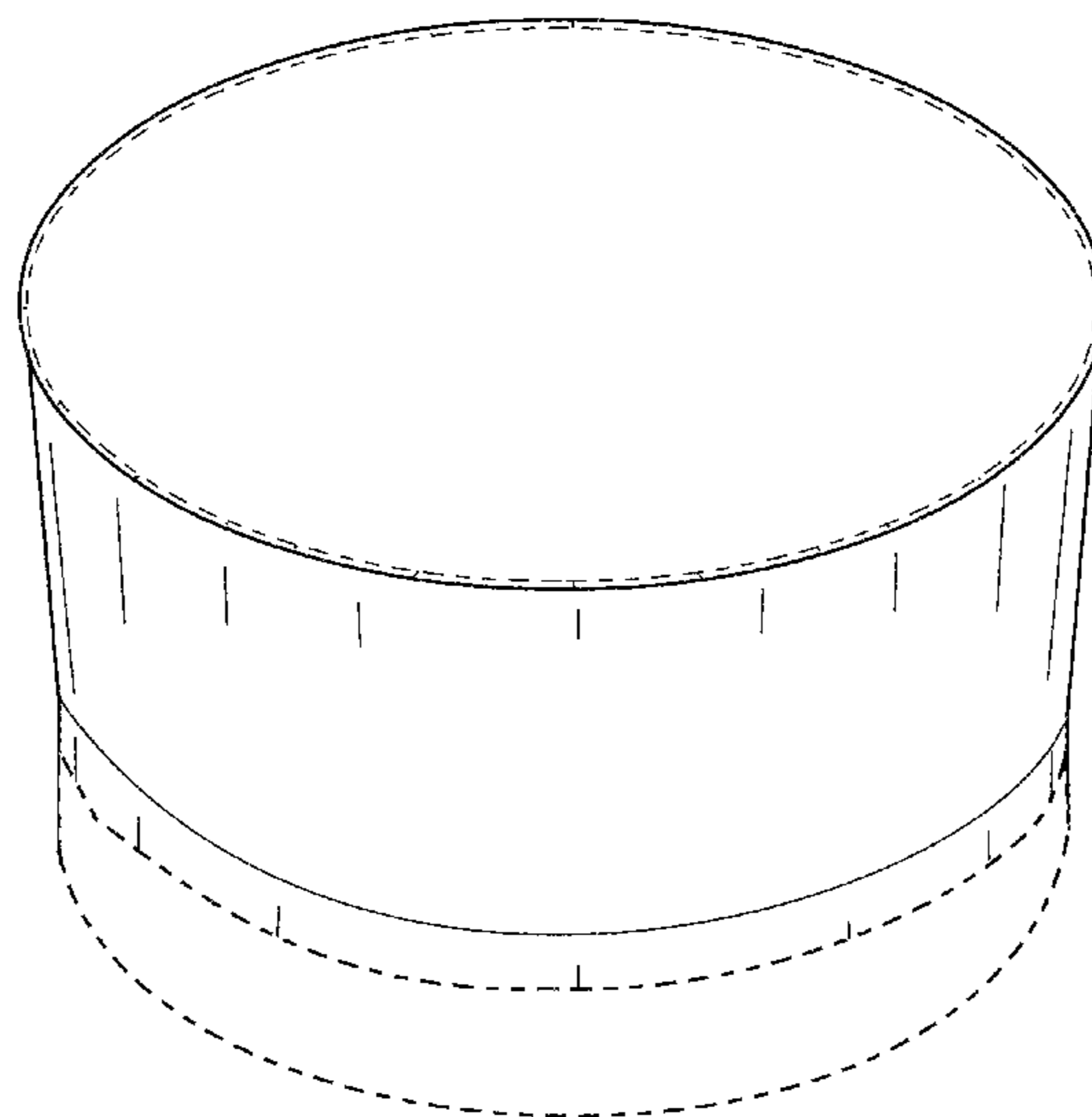
(57) **CLAIM**

The ornamental design for a cookware vessel, as shown and described.

DESCRIPTION

FIG. 1 is a perspective view of the “cookware vessel”, showing my new design;
FIG. 2 is an exterior side elevation view thereof; all side elevations views being identical as the “cookware vessel” is circular;
FIG. 3 is a cross-sectional view taken through line 3-3 of FIG. 4;
FIG. 4 is a top plan view thereof; and,
FIG. 5 is a bottom plan view thereof.
The broken lines in FIGS. 1-5 are for illustrative purposes only, depicting the environment of the new design, forming no part thereof as claimed.

1 Claim, 5 Drawing Sheets



US D738,158 S

Page 2

(56)

References Cited

U.S. PATENT DOCUMENTS

D715,091 S * 10/2014 Thun et al.	D7/354
D715,092 S * 10/2014 Thun et al.	D7/354
D715,588 S * 10/2014 Thun et al.	D7/354
D711,677 S * 8/2014 McPherson	D7/354 * cited by examiner

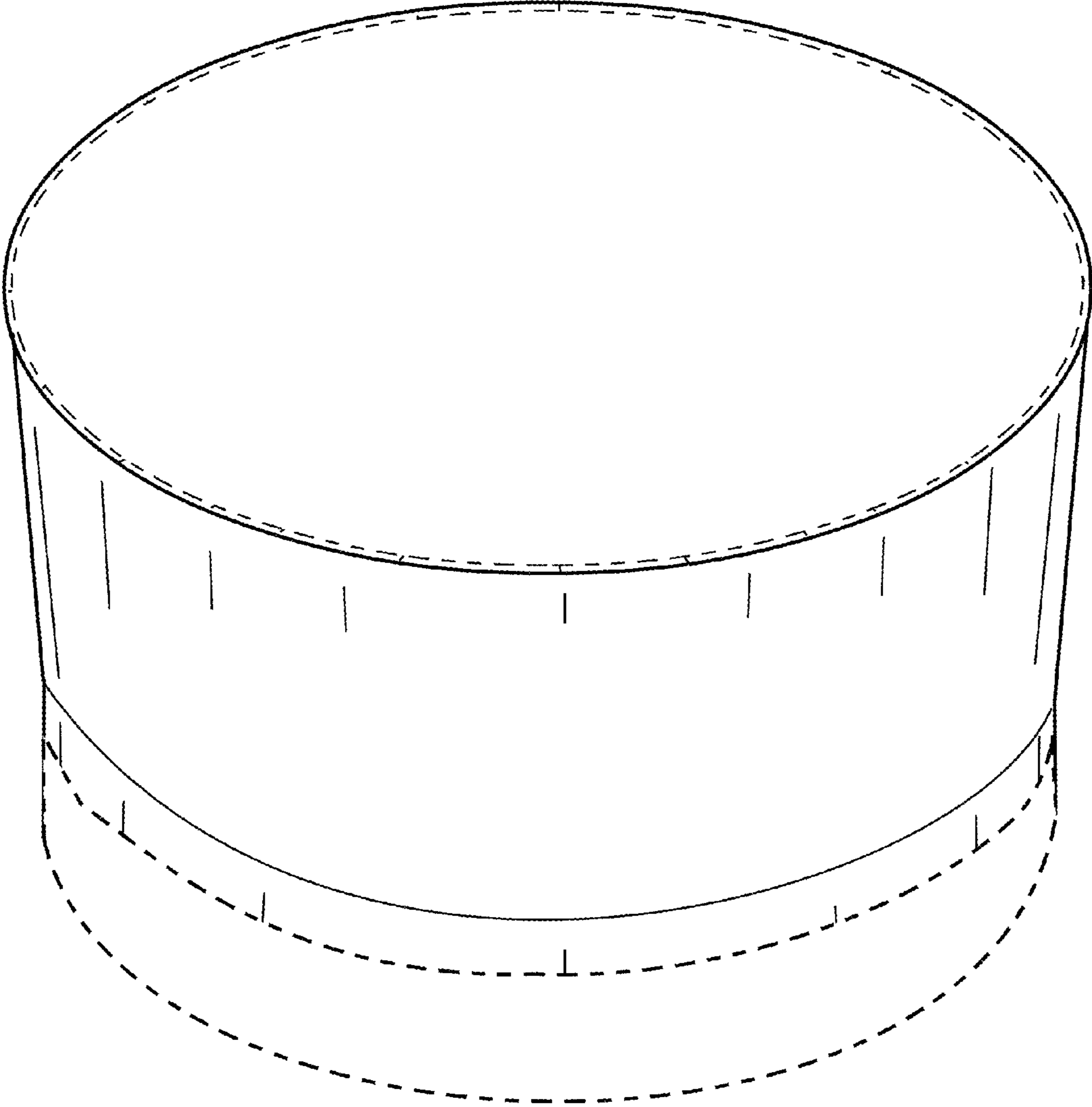


FIG. 1

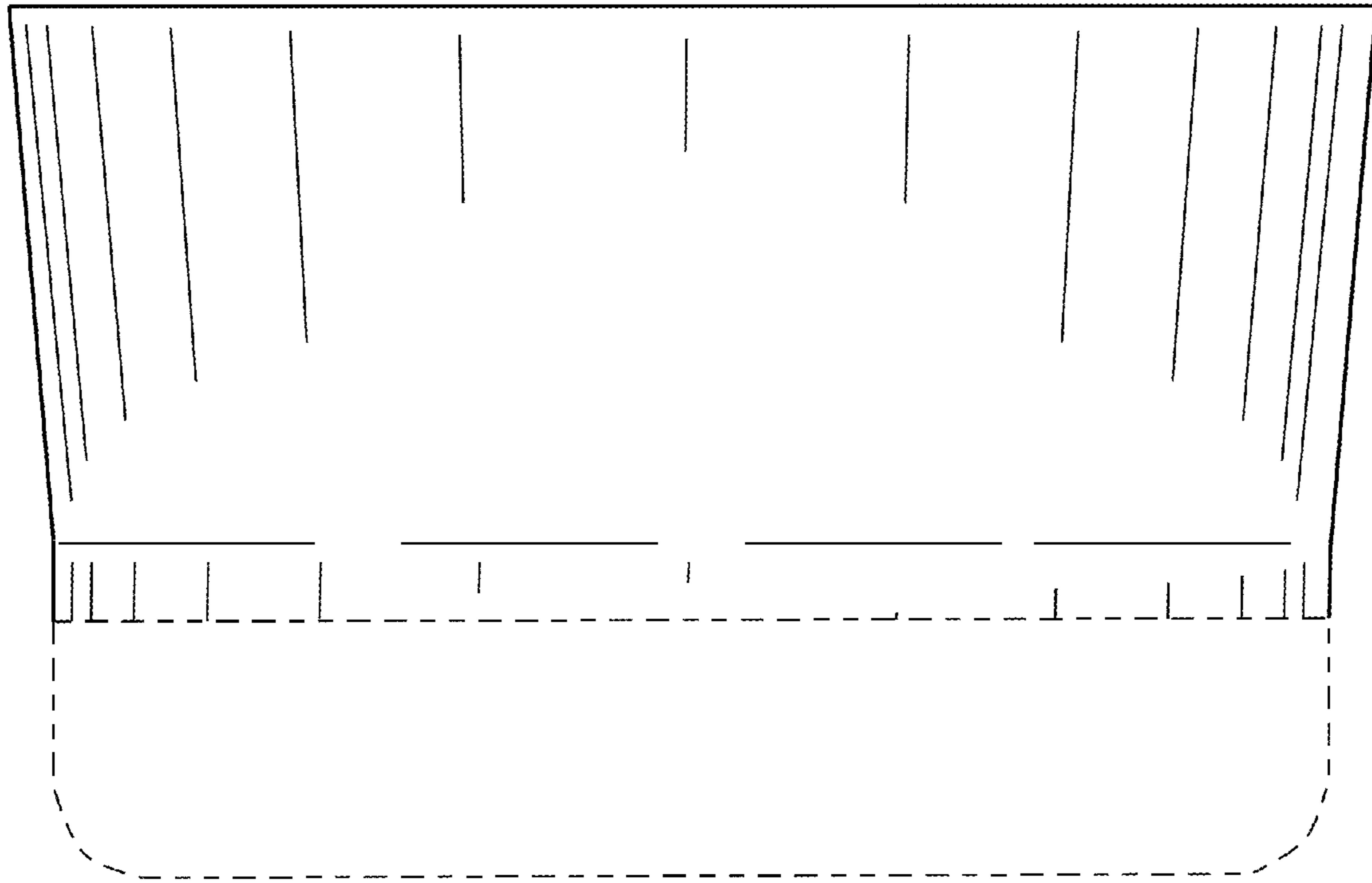


FIG. 2

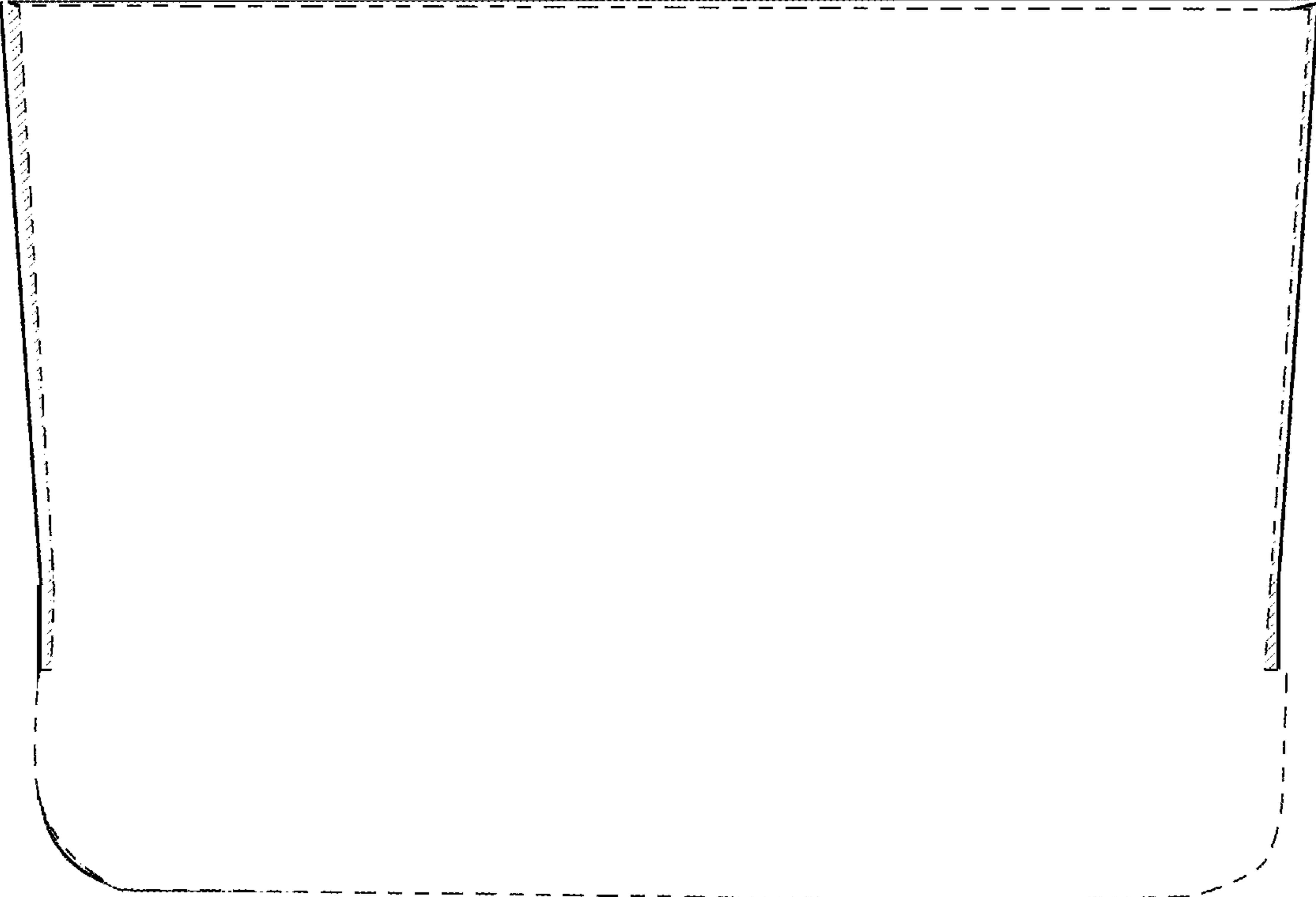


FIG. 3

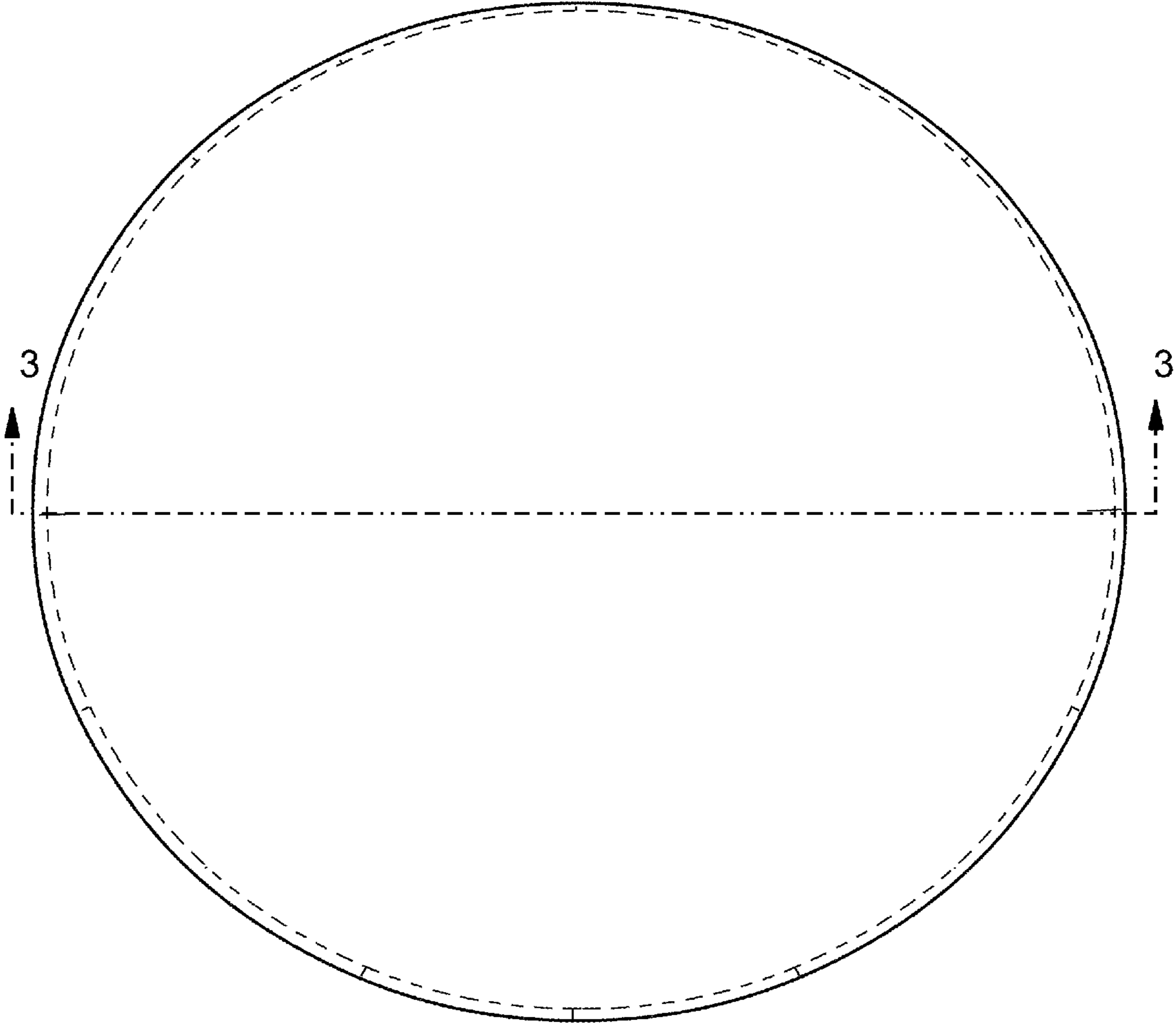


FIG. 4

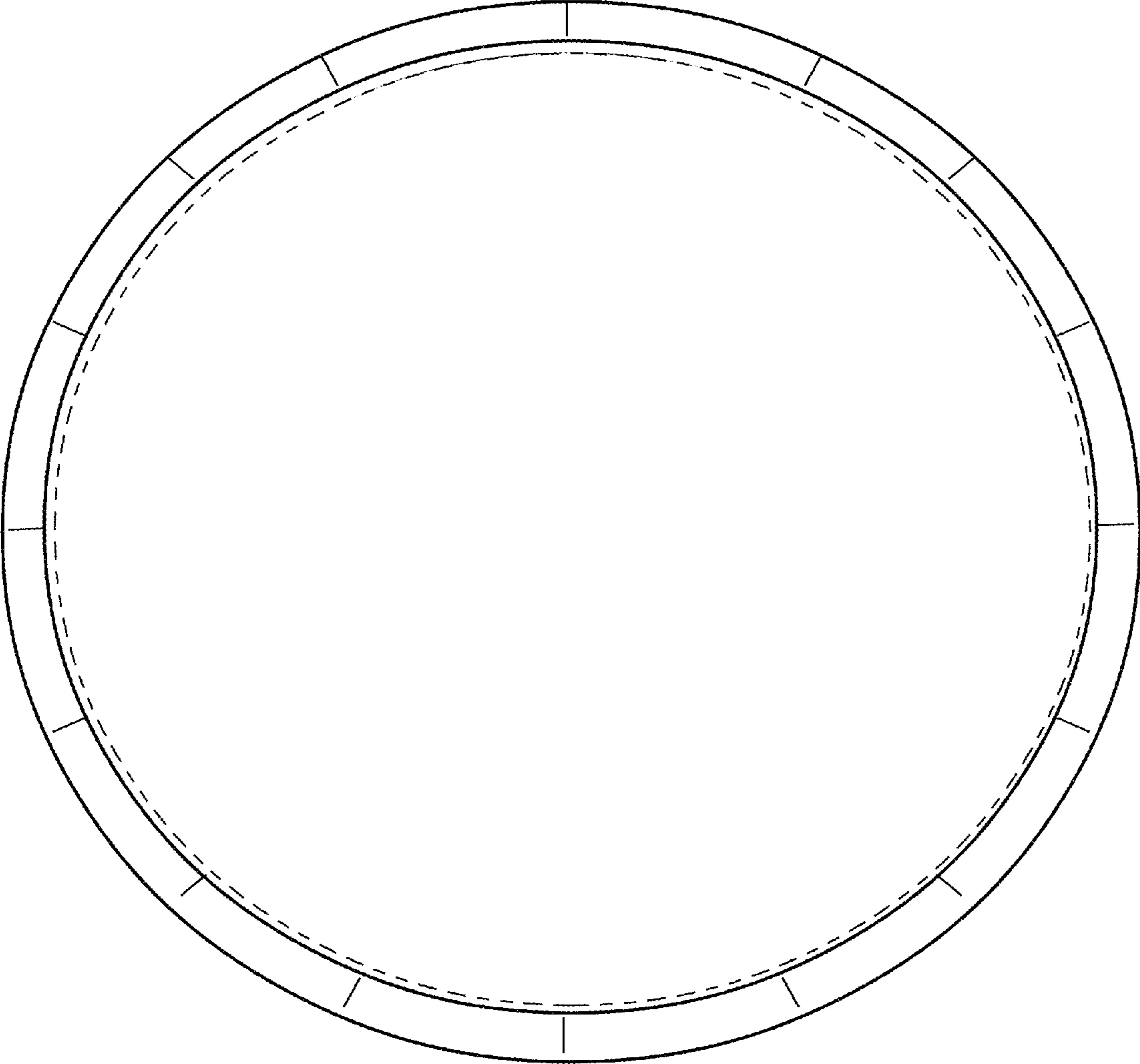


FIG. 5