



US00D738157S

(12) **United States Design Patent**
Krumm

(10) **Patent No.:** **US D738,157 S**
(45) **Date of Patent:** **** Sep. 8, 2015**

(54) **FOLDING PAN**

(71) Applicant: **Focus Products Group International, LLC**, Lincolnshire, IL (US)

(72) Inventor: **Matthew L. Krumm**, Chicago, IL (US)

(73) Assignee: **Focus Products Group International, LLC**, Lincolnshire, IL (US)

(**) Term: **14 Years**

(21) Appl. No.: **29/454,753**

(22) Filed: **May 14, 2013**

(51) **LOC (10) Cl.** **07-02**

(52) **U.S. Cl.**
USPC **D7/354**

(58) **Field of Classification Search**
USPC D7/323, 354-361, 387, 543, 545, 549, D7/550.1, 553.1-553.8, 554.1-554.4, 555, D7/584, 586, 688; D9/430-433, 455-456, D9/737, 756-762
CPC A21B 3/00; A21B 3/003; A21B 3/13; A21B 3/15; A21B 3/131; A21B 3/134; A21B 5/00; A21B 5/02; A47J 36/022; A47J 36/025; A47J 36/027; A47J 37/00; A47J 37/01; A47J 37/04; A47J 37/10; A47J 43/28; A47J 43/284; B29C 49/04; B65D 1/22; B65D 1/24; B65D 1/34; B65D 1/36; B65D 5/36; B65D 5/247; B65D 5/2023; B65D 5/445; B65D 5/5038; B65D 7/26; B65D 81/343; B65D 85/36

See application file for complete search history.

(56) **References Cited**

U.S. PATENT DOCUMENTS

428,792	A	5/1890	Wiley	
711,813	A *	10/1902	Austin	220/677
1,708,596	A *	4/1929	Sprague	229/122.32
1,760,325	A *	5/1930	Small	229/117.08
1,922,399	A *	8/1933	Schilling	229/125.19
3,062,429	A *	11/1962	Liman et al.	229/100
3,186,585	A *	6/1965	Denny	206/511

3,502,488	A *	3/1970	Bridgford	426/62
3,828,966	A	8/1974	Martin	
4,111,306	A *	9/1978	Roccaforte	229/240
5,253,802	A	10/1993	Bernard et al.	
6,065,394	A *	5/2000	Gelderman	99/449
6,164,478	A	12/2000	Cant	
6,684,760	B1	2/2004	Rajusth	
6,851,601	B1 *	2/2005	Montoya	229/120
D563,155	S *	3/2008	Wyllie et al.	D7/387
7,766,184	B2	8/2010	Avery et al.	
8,066,176	B2	11/2011	Nielsen	
D682,680	S *	5/2013	Terlesky et al.	D9/432
9,016,493	B2 *	4/2015	Friedl et al.	220/6

* cited by examiner

Primary Examiner — Ricky Pham

(74) *Attorney, Agent, or Firm* — Thompson Coburn LLP

(57) **CLAIM**

The ornamental design for a folding pan, as shown and described.

DESCRIPTION

FIG. 1 is a perspective view of an embodiment of the folding pan design of my invention in a flat configuration.
 FIG. 2 is an enlarged detail view of FIG. 1.
 FIG. 3 is a left side view of the folding pan of FIG. 1.
 FIG. 4 is a front view of the folding pan of FIG. 1.
 FIG. 5 is a right side view of the folding pan of FIG. 1.
 FIG. 6 is a rear view of the folding pan of FIG. 1.
 FIG. 7 is a top view of the folding pan of FIG. 1.
 FIG. 8 is a bottom view of the folding pan of FIG. 1.
 FIG. 9 is an alternate perspective view of the folding pan of FIG. 1.
 FIG. 10 is an enlarged detail view of the folding pan of FIG. 9.
 FIG. 11 is an alternate perspective view of the folding pan of FIG. 1.
 FIG. 12 is an enlarged detail view of FIG. 11.
 FIG. 13 is an alternate perspective view of the folding pan of FIG. 1.
 FIG. 14 is an enlarged detail view of FIG. 13.
 FIG. 15 is an alternate perspective view of the folding pan of FIG. 1.
 FIG. 16 is an enlarged detail view of FIG. 15.

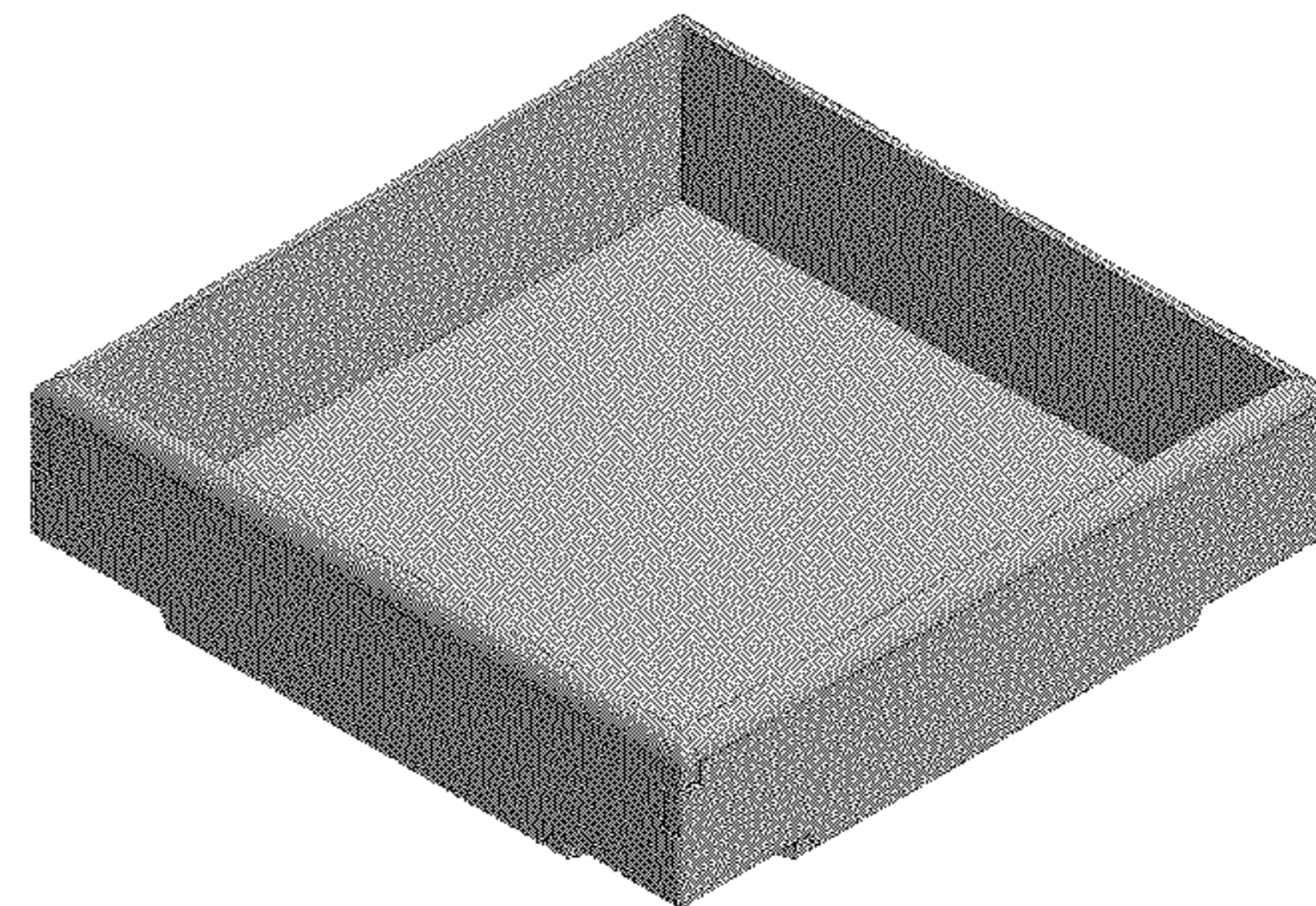
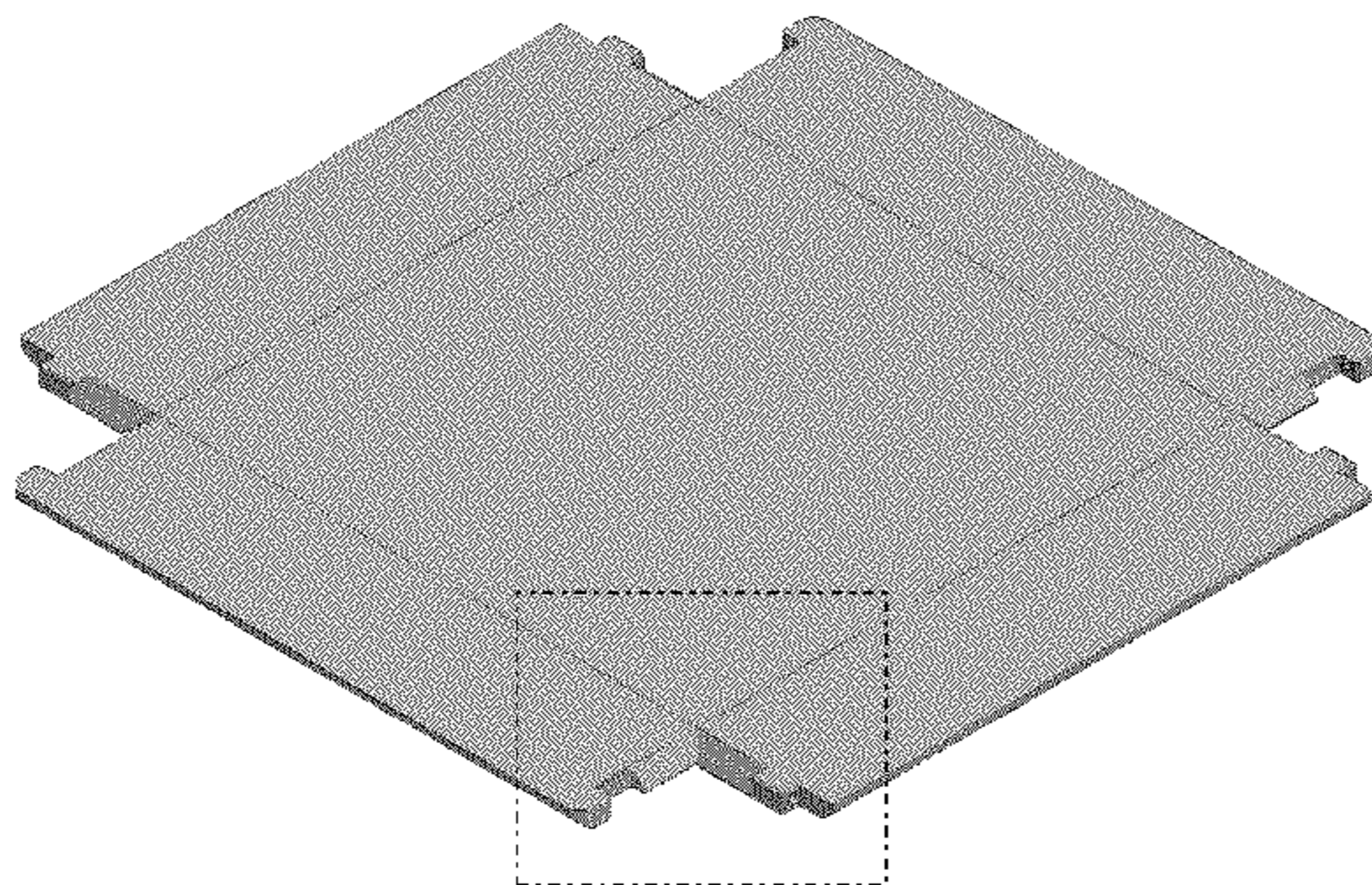


FIG. 17 is an alternate perspective view of the folding pan of FIG. 1.

FIG. 18 is an enlarged detail view of FIG. 17.

FIG. 19 is an alternate perspective view of the folding pan of FIG. 1.

FIG. 20 is an enlarged detail view of FIG. 19.

FIG. 21 is an alternate perspective view of the folding pan of FIG. 1.

FIG. 22 is an enlarged detail view of FIG. 21.

FIG. 23 is a perspective view of the folding pan of FIG. 1 in an upright configuration.

FIG. 24 is a left side view of the folding pan of FIG. 23.

FIG. 25 is a front view of the folding pan of FIG. 23.

FIG. 26 is a right side view of the folding pan of FIG. 23.

FIG. 27 is a rear view of the folding pan of FIG. 23.

FIG. 28 is a top view of the folding pan of FIG. 23.

FIG. 29 is a bottom view of the folding pan of FIG. 23.

FIG. 30 is an alternate perspective view of the folding pan of FIG. 23.

FIG. 31 is an enlarged detail view of FIG. 30.

FIG. 32 is an alternate perspective view of the folding pan of FIG. 23.

FIG. 33 is an enlarged detail view of FIG. 32.

FIG. 34 is an alternate perspective view of the folding pan of FIG. 23.

FIG. 35 is an alternate perspective view of the folding pan of FIG. 23.

FIG. 36 is a perspective view of an alternate embodiment of a folding pan of my new design in a flat configuration.

FIG. 37 is an enlarged detail view of FIG. 36.

FIG. 38 is an alternate perspective view of the folding pan of FIG. 36.

FIG. 39 is an enlarged detail view of FIG. 38.

FIG. 40 is a front view of the folding pan of FIG. 36.

FIG. 41 is a rear view of the folding pan of FIG. 36.

FIG. 42 is a left side view of the folding pan of FIG. 36.

FIG. 43 is a right side view of the folding pan of FIG. 36.

FIG. 44 is a top view of the folding pan of FIG. 36.

FIG. 45 is a bottom view of the folding pan of FIG. 36.

FIG. 46 is an alternate perspective view of the folding pan of FIG. 36.

FIG. 47 is an enlarged detail view of FIG. 46.

FIG. 48 is an alternate perspective view of the folding pan of FIG. 36.

FIG. 49 is an enlarged detail view of FIG. 48.

FIG. 50 is an alternate perspective view of the folding pan of FIG. 36.

FIG. 51 is an enlarged detail view of FIG. 50.

FIG. 52 is an alternate perspective view of the folding pan of FIG. 36.

FIG. 53 is an enlarged detail view of FIG. 52.

FIG. 54 is a perspective view of the folding pan of FIG. 36 in an upright configuration.

FIG. 55 is a front view of the folding pan of FIG. 54.

FIG. 56 is a rear view of the folding pan of FIG. 54.

FIG. 57 is a left side view of the folding pan of FIG. 54.

FIG. 58 is a right side view of the folding pan of FIG. 54.

FIG. 59 is a top view of the folding pan of FIG. 54.

FIG. 60 is a bottom view of the folding pan of FIG. 54.

FIG. 61 is an alternate perspective view of the folding pan of FIG. 54.

FIG. 62 is an enlarged detail view of FIG. 61.

FIG. 63 is an alternate perspective view of the folding pan of FIG. 54.

FIG. 64 is an enlarged detail view of FIG. 63.

FIG. 65 is an alternate perspective view of the folding pan of FIG. 54; and,

FIG. 66 is an alternate perspective view of the folding pan of FIG. 54.

The drawings show surface shading which forms no part of the claimed design.

1 Claim, 54 Drawing Sheets

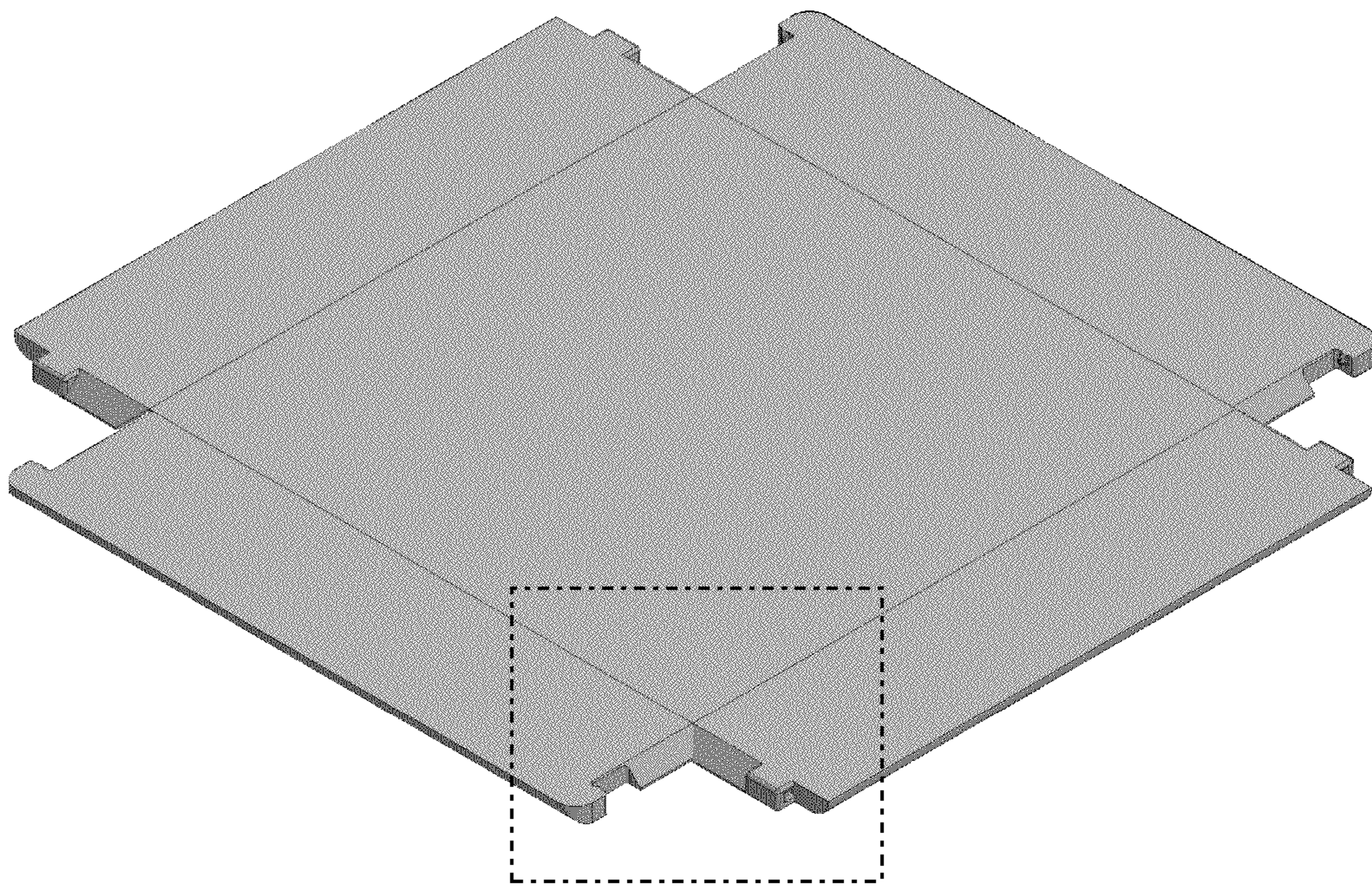


Fig. 1

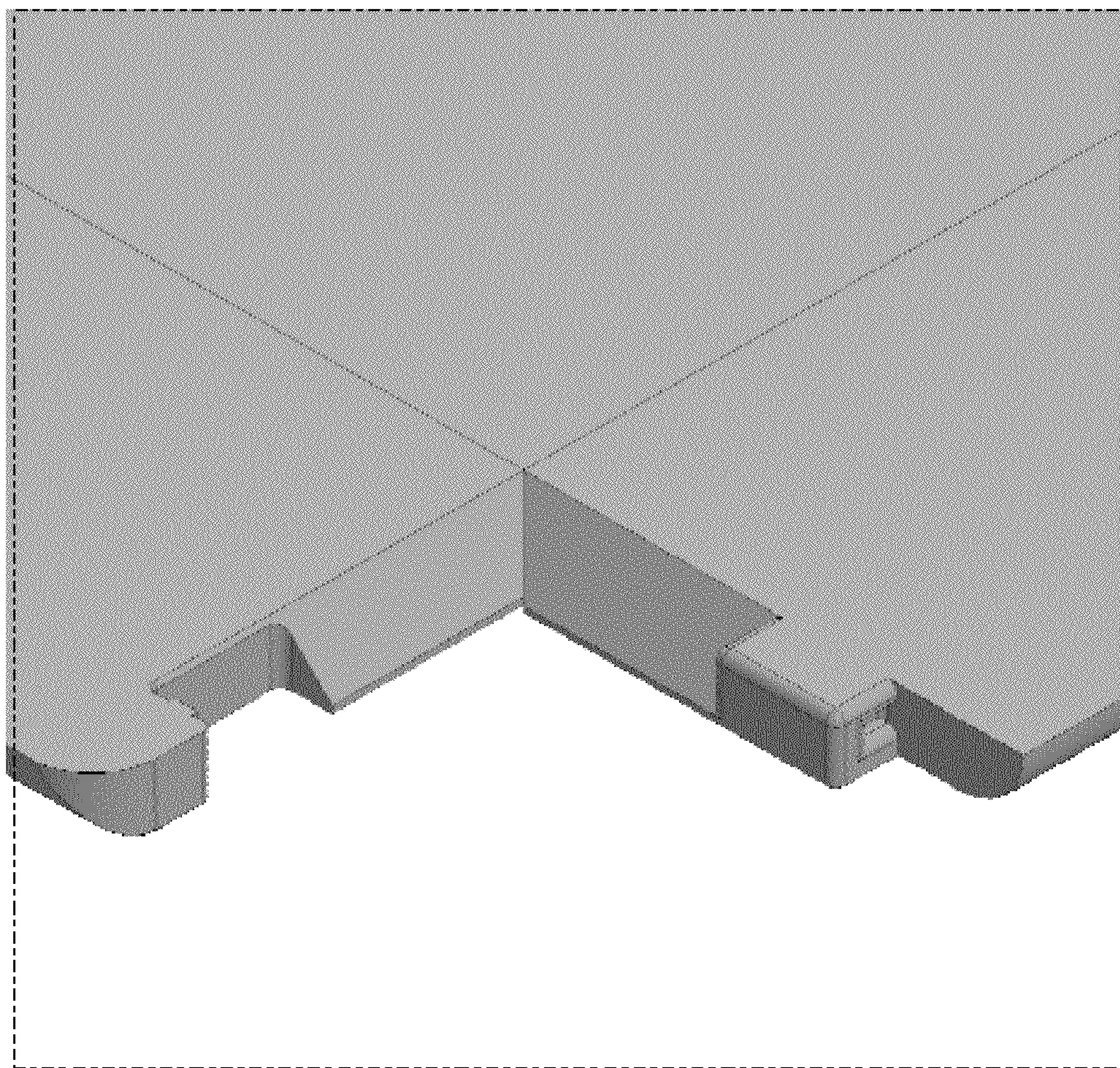


Fig. 2



Fig. 3



Fig. 4



Fig. 5



Fig. 6

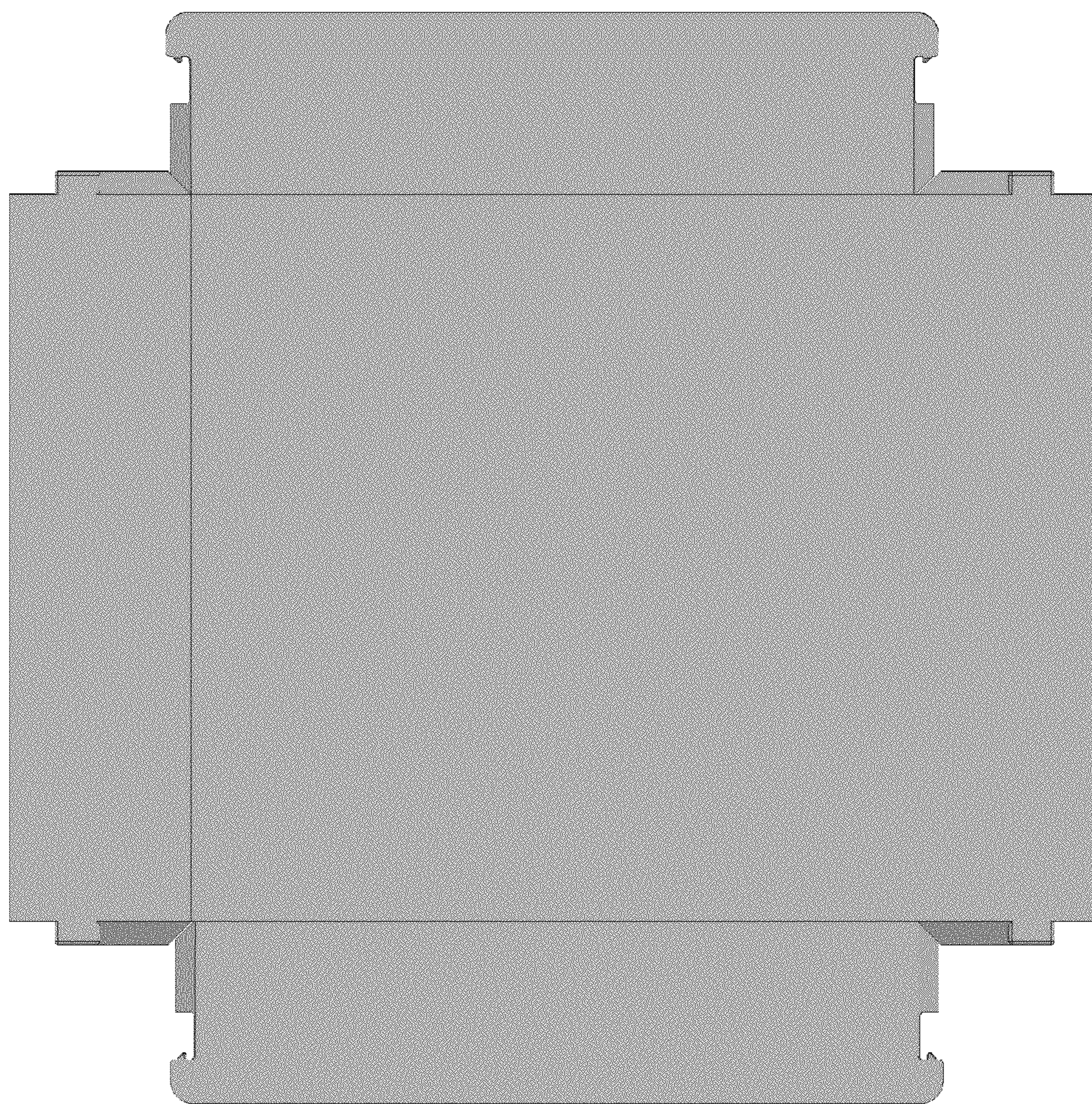


Fig. 7

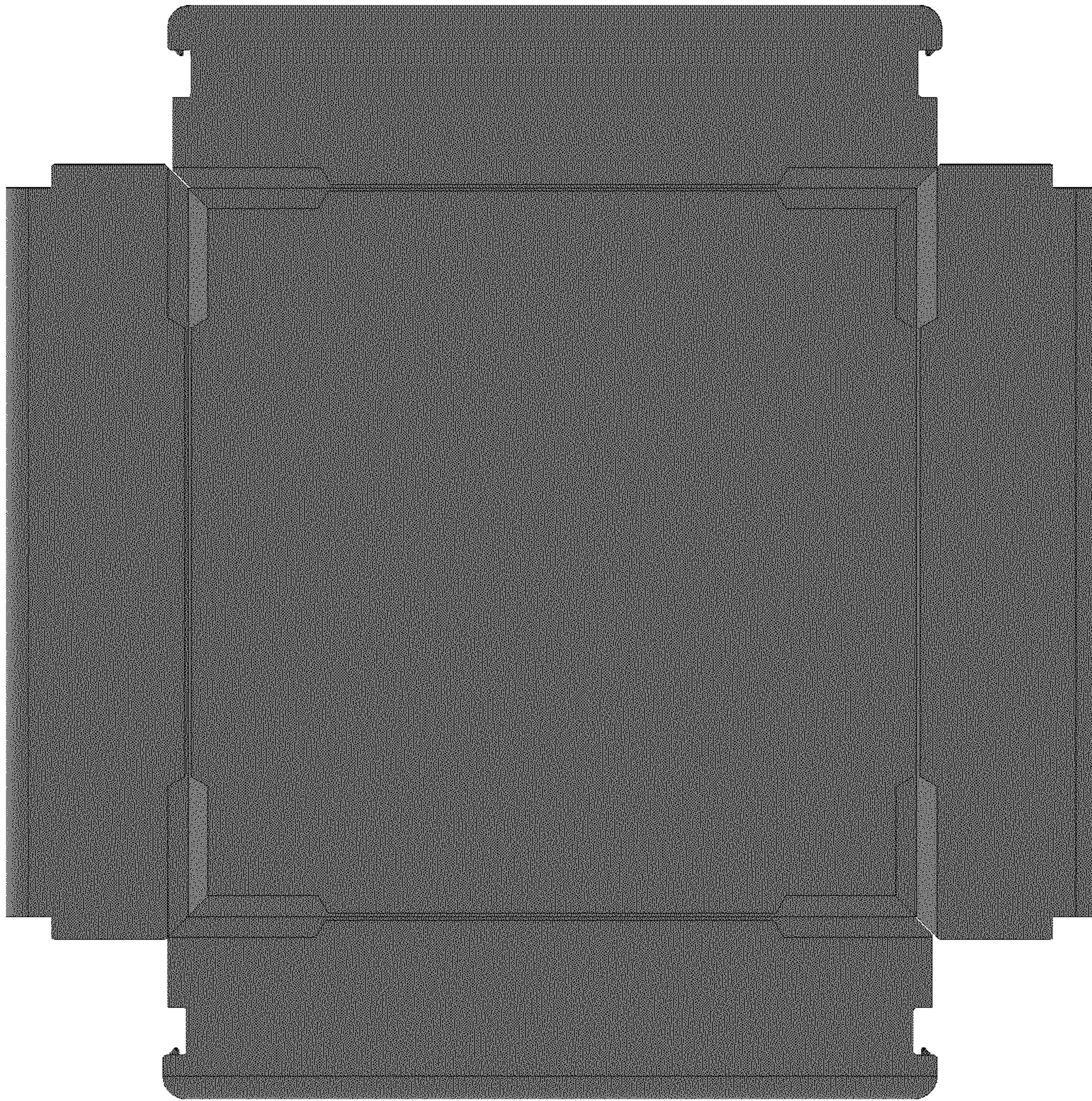


Fig. 8

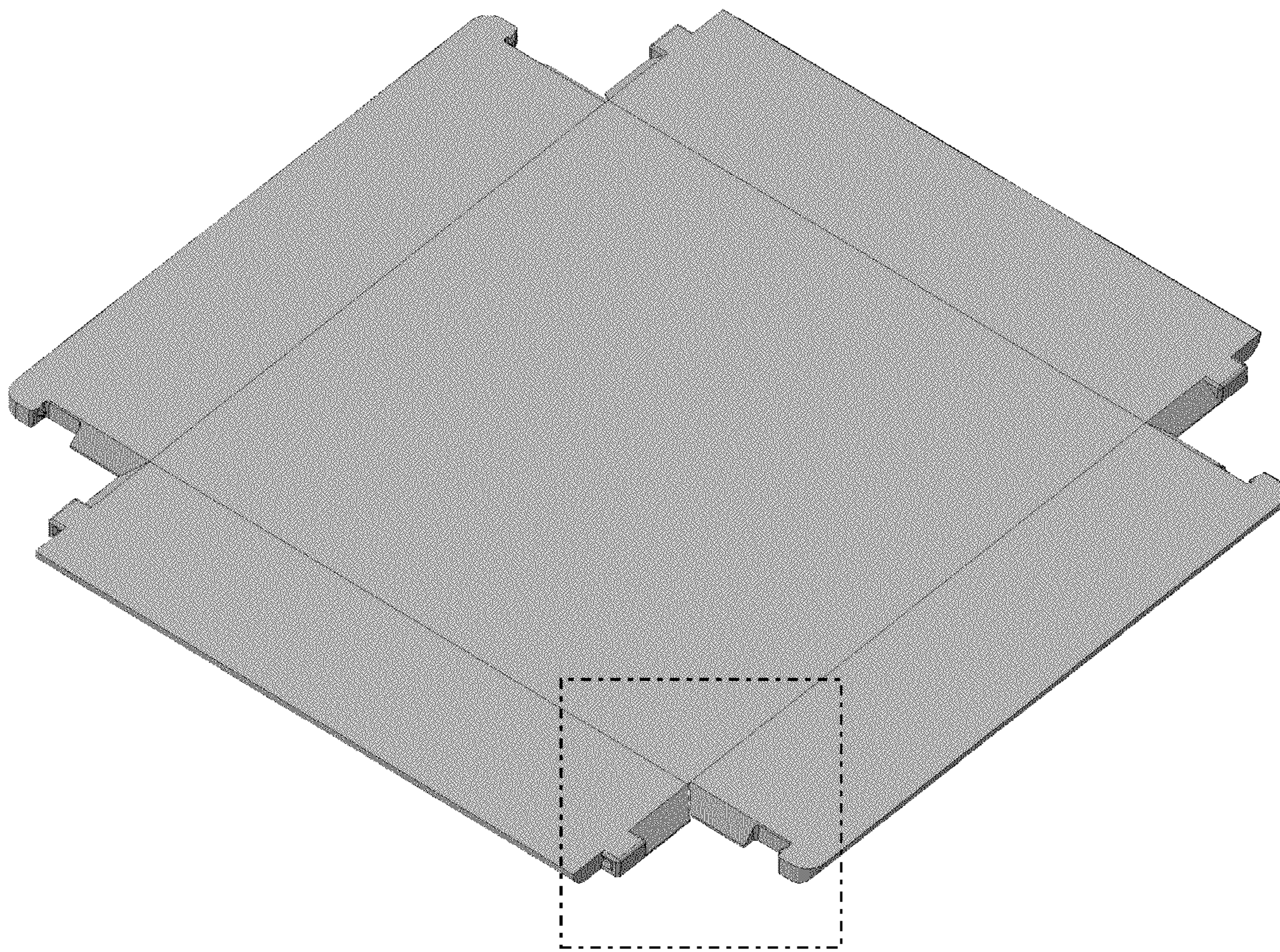


Fig. 9

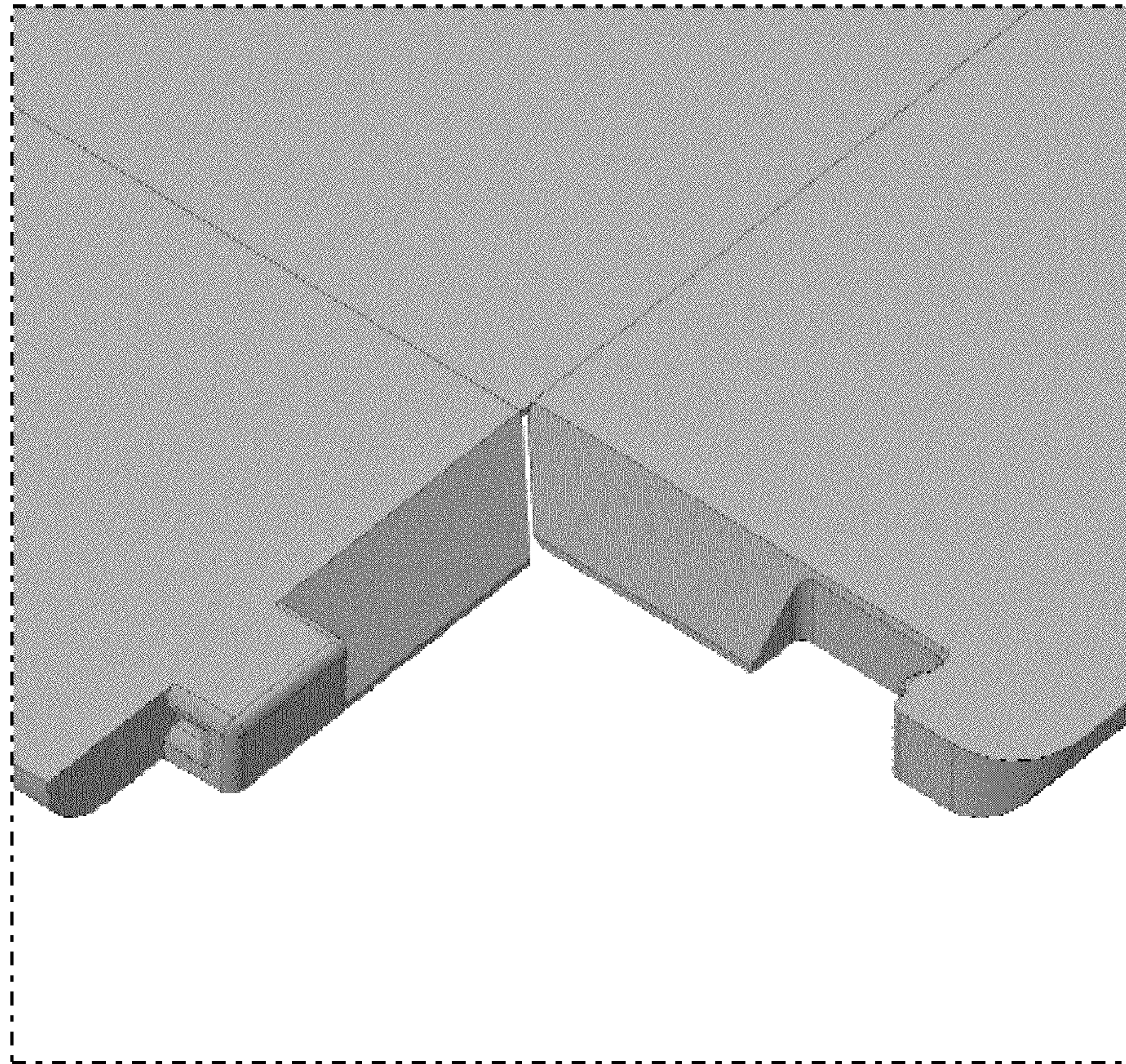


Fig. 10

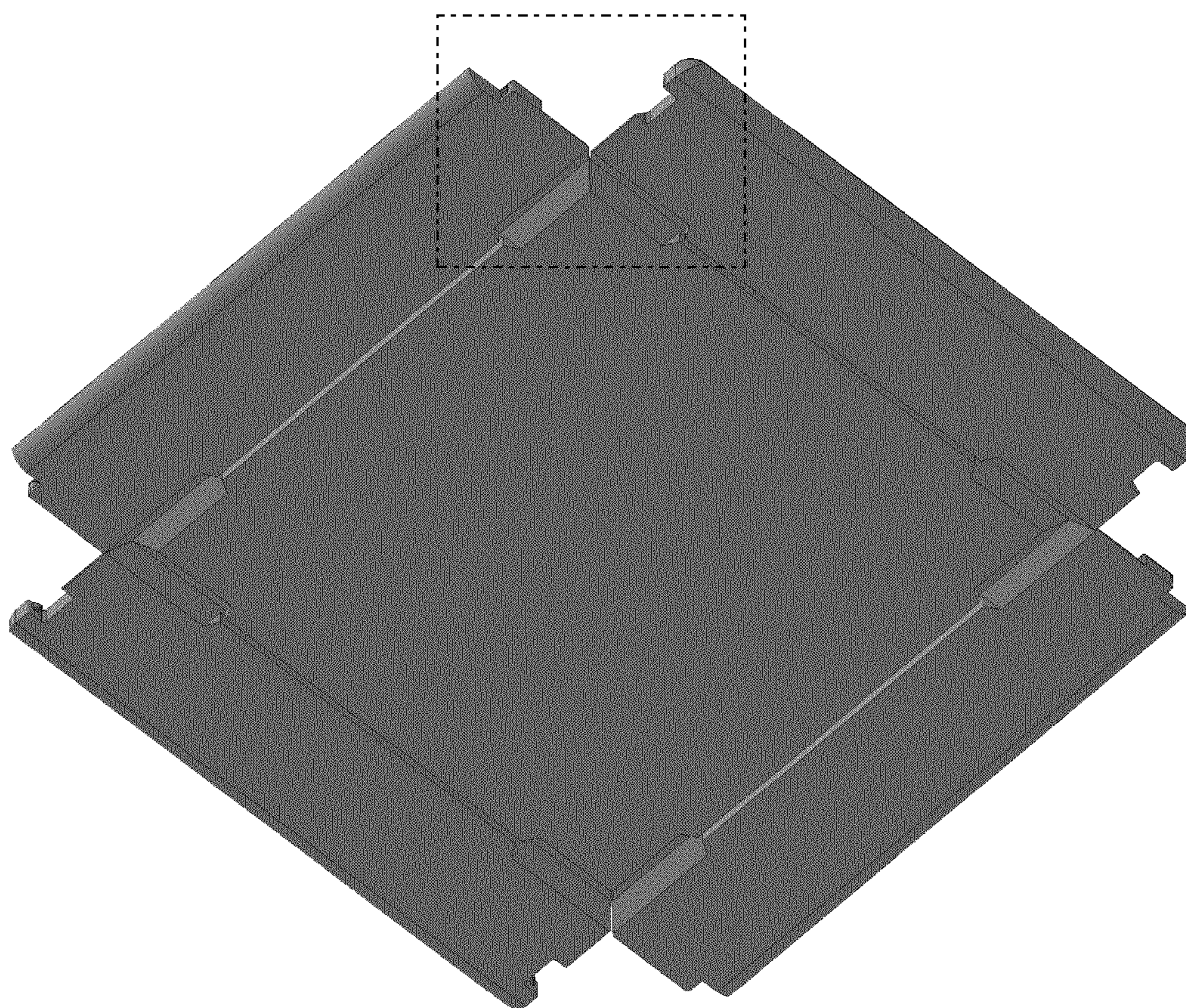


Fig. 11

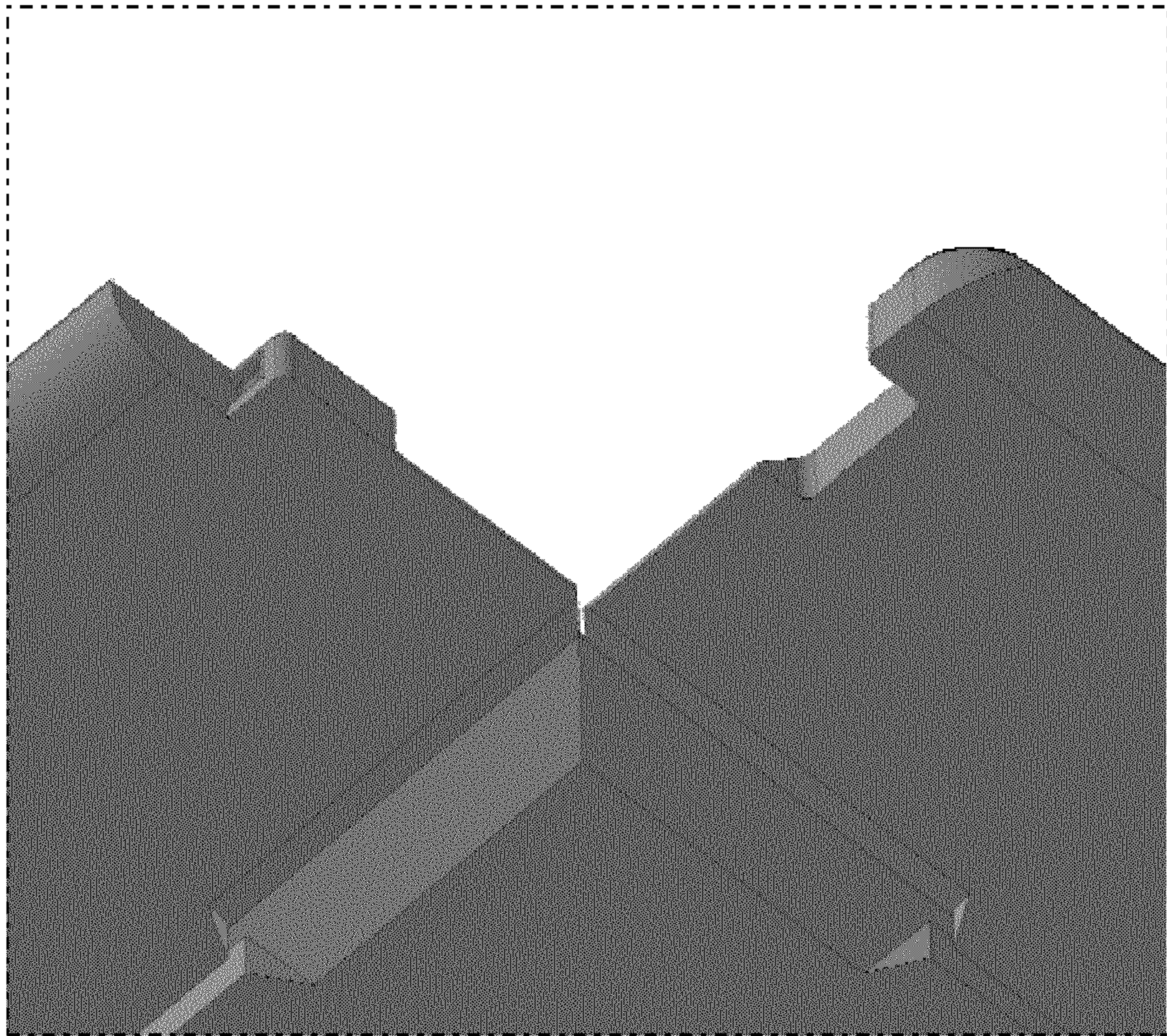


Fig. 12

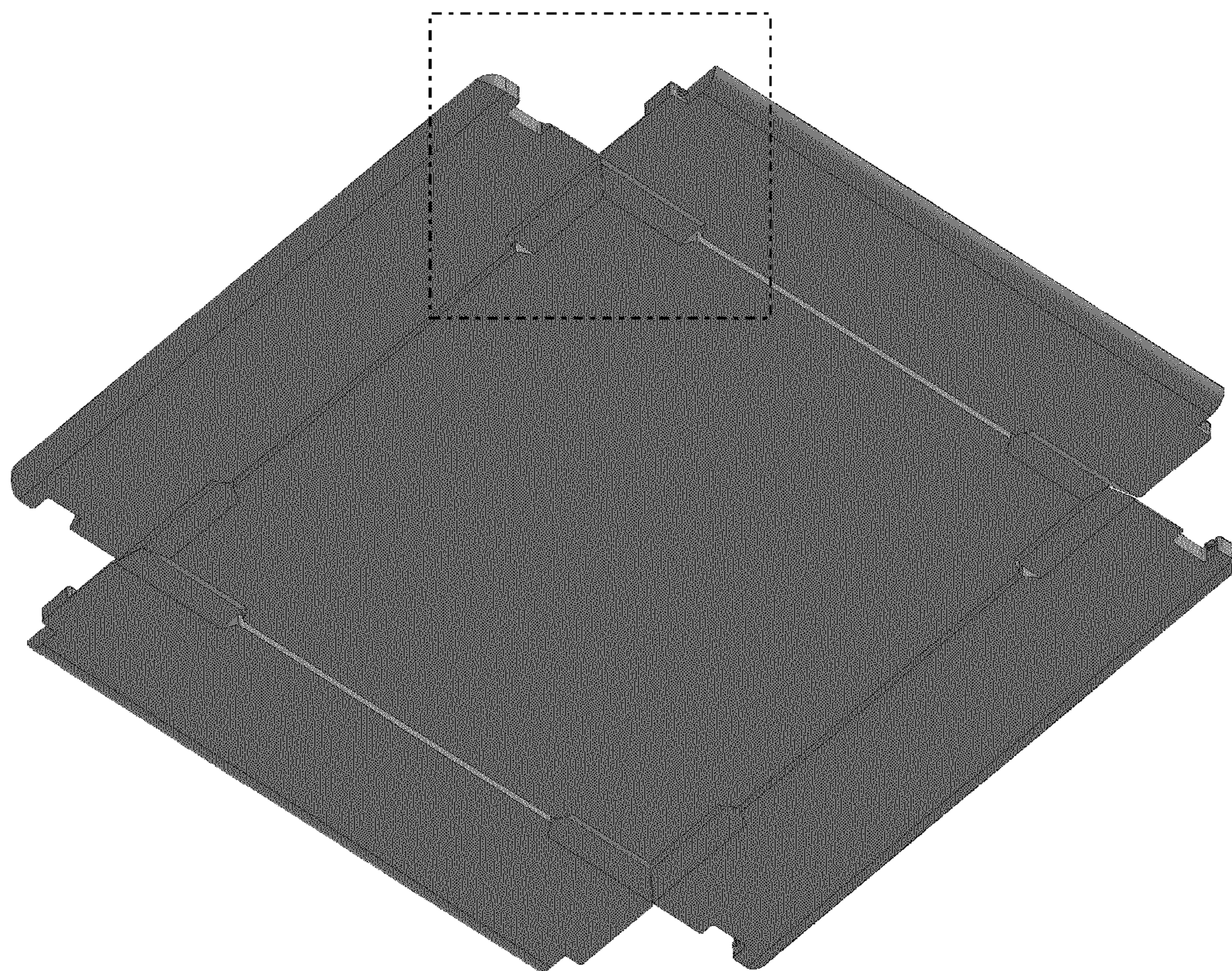


Fig. 13

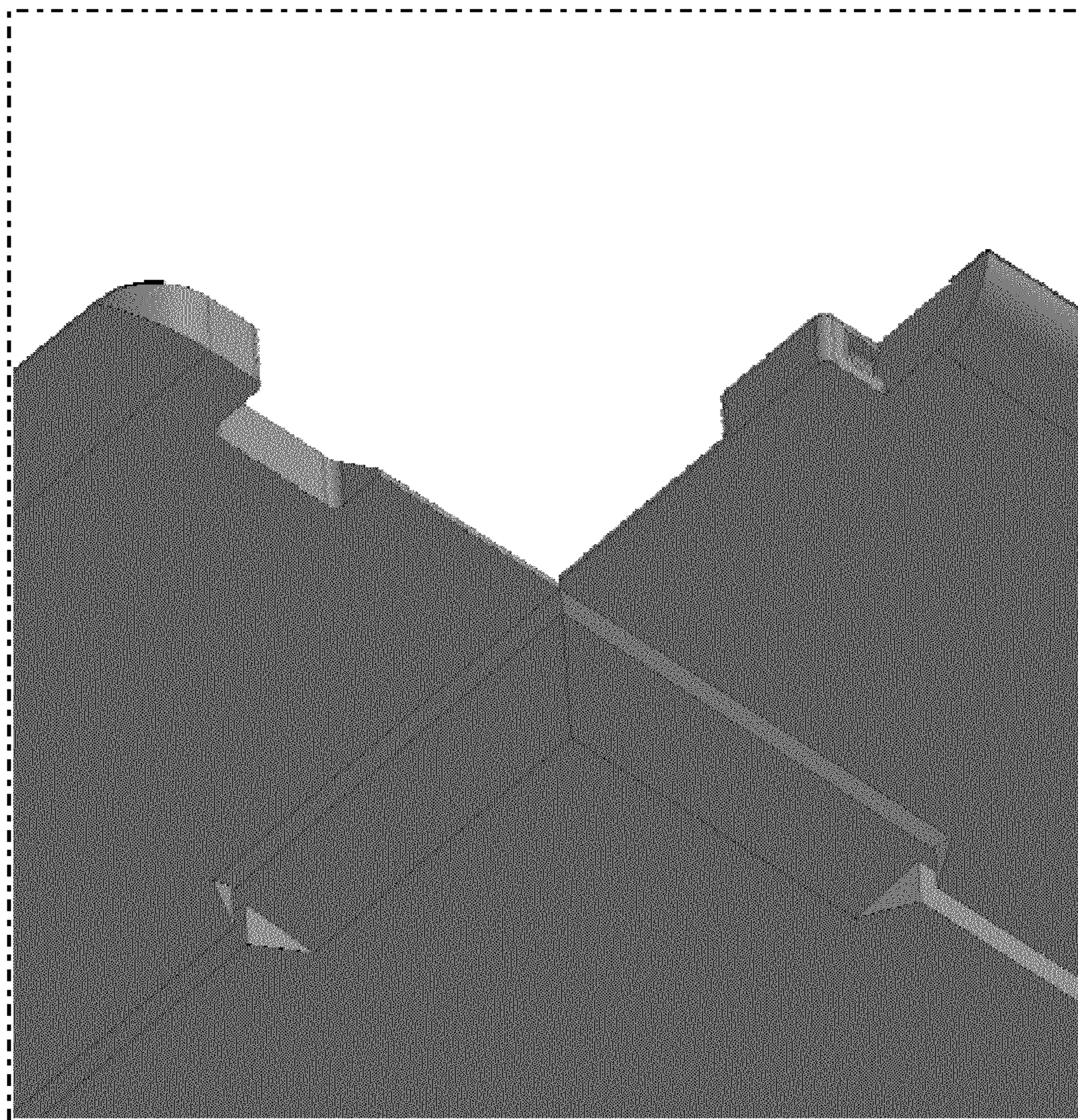


Fig. 14

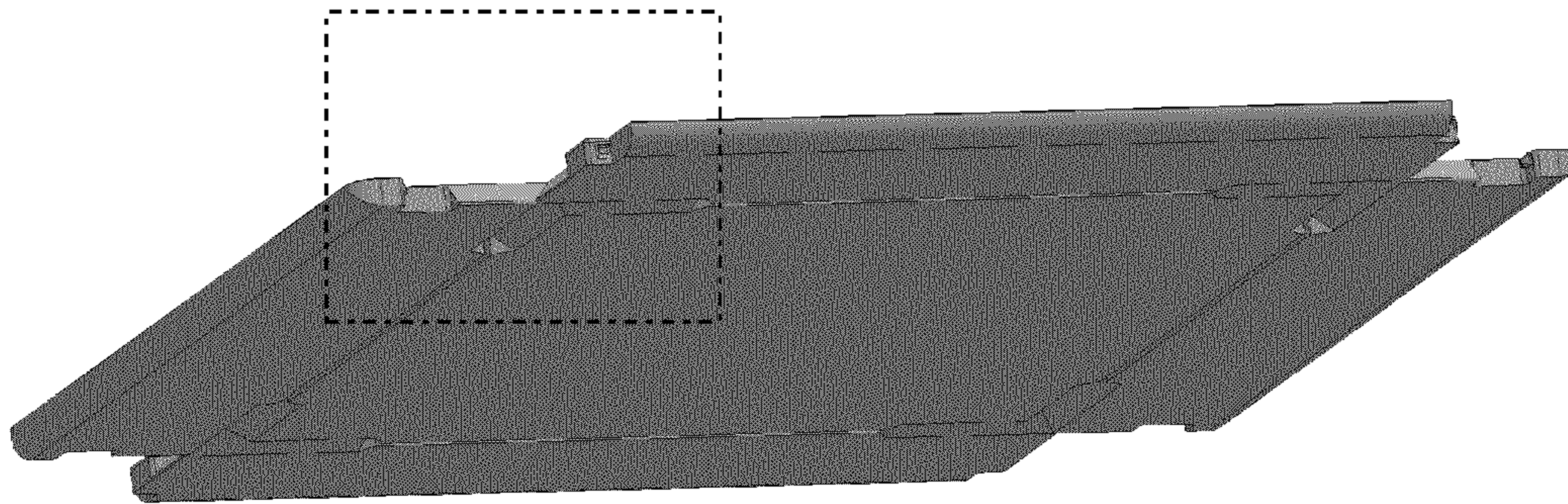


Fig. 15

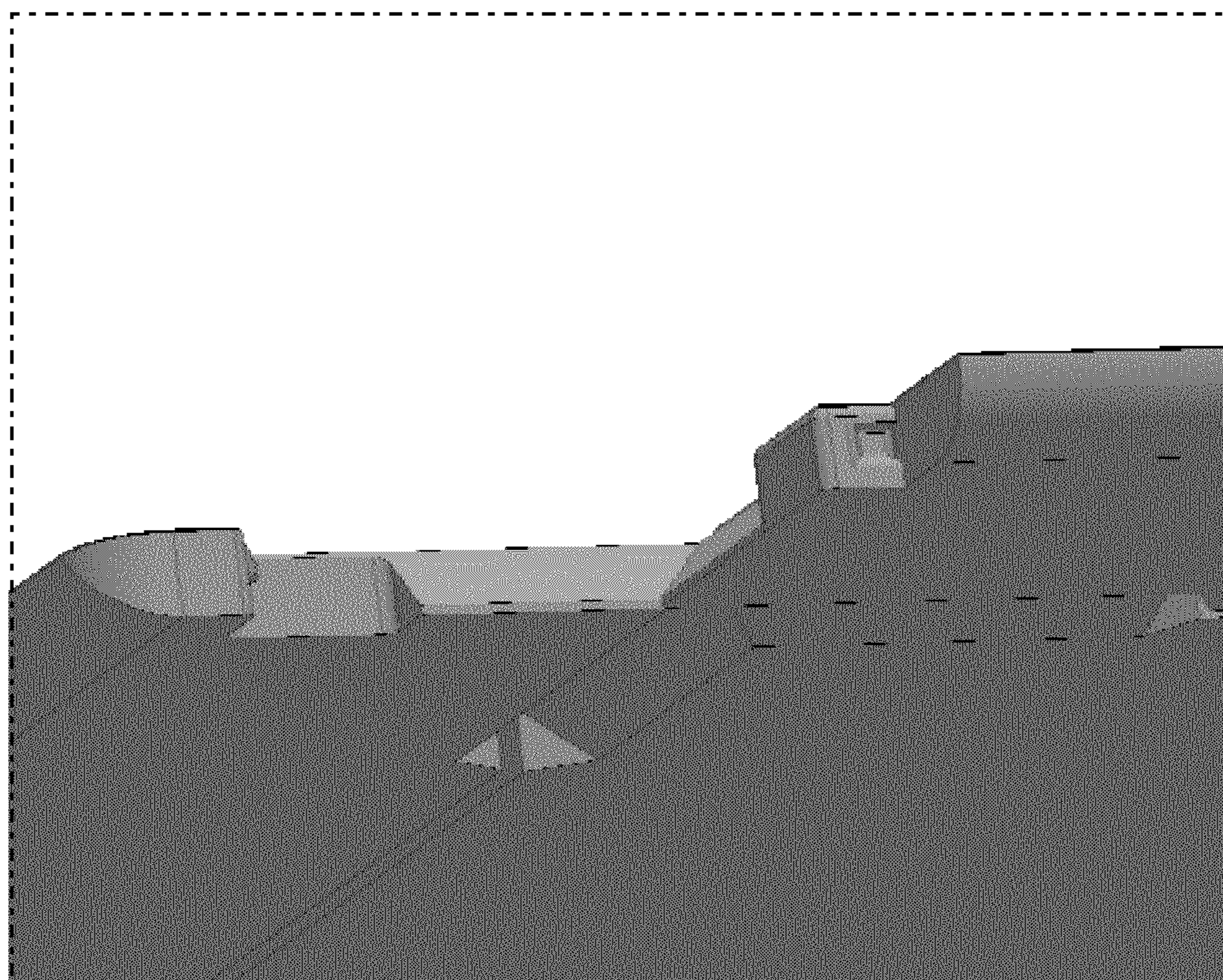


Fig. 16

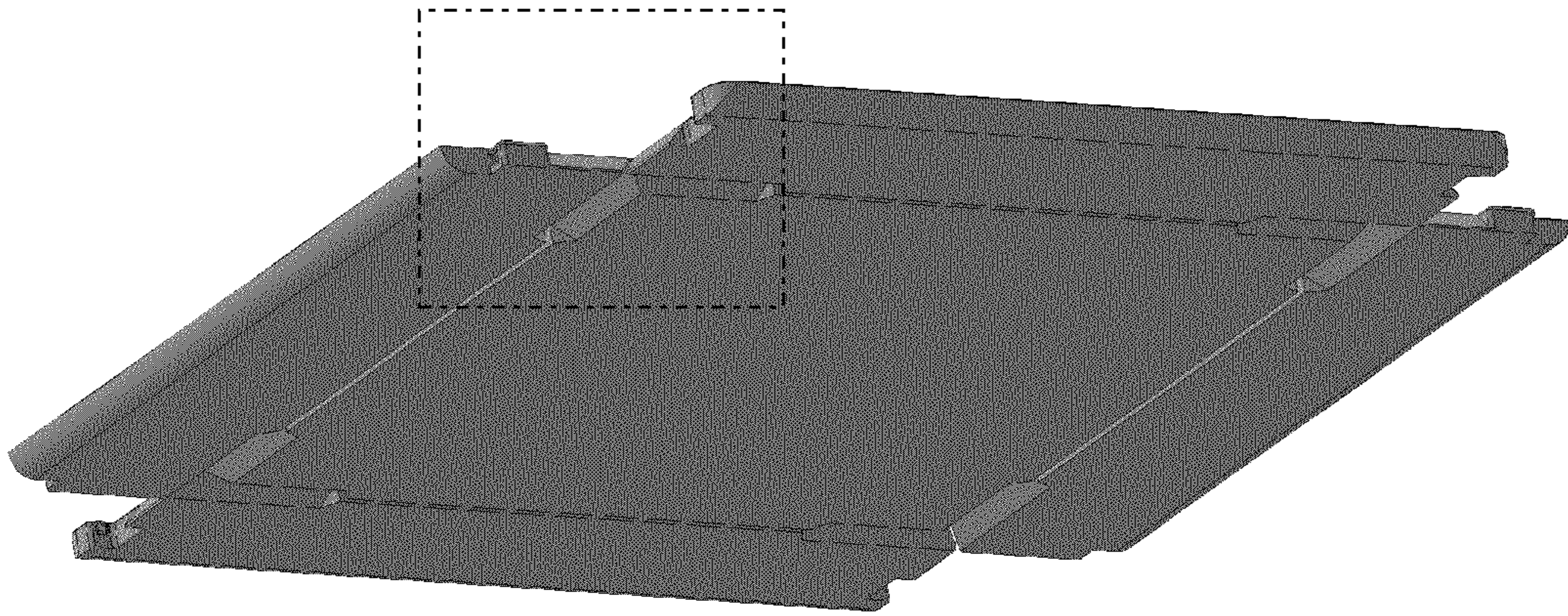


Fig. 17

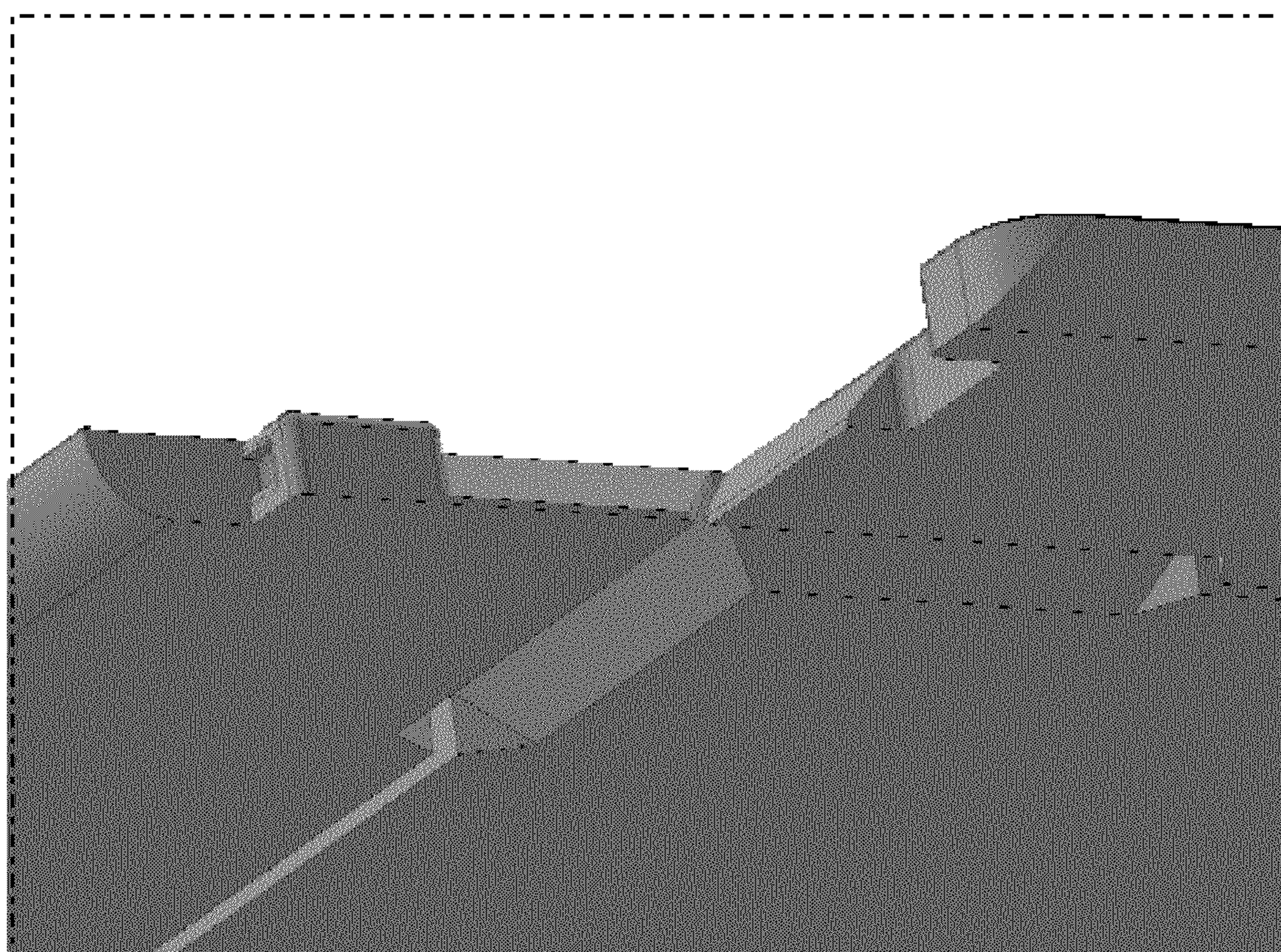


Fig. 18

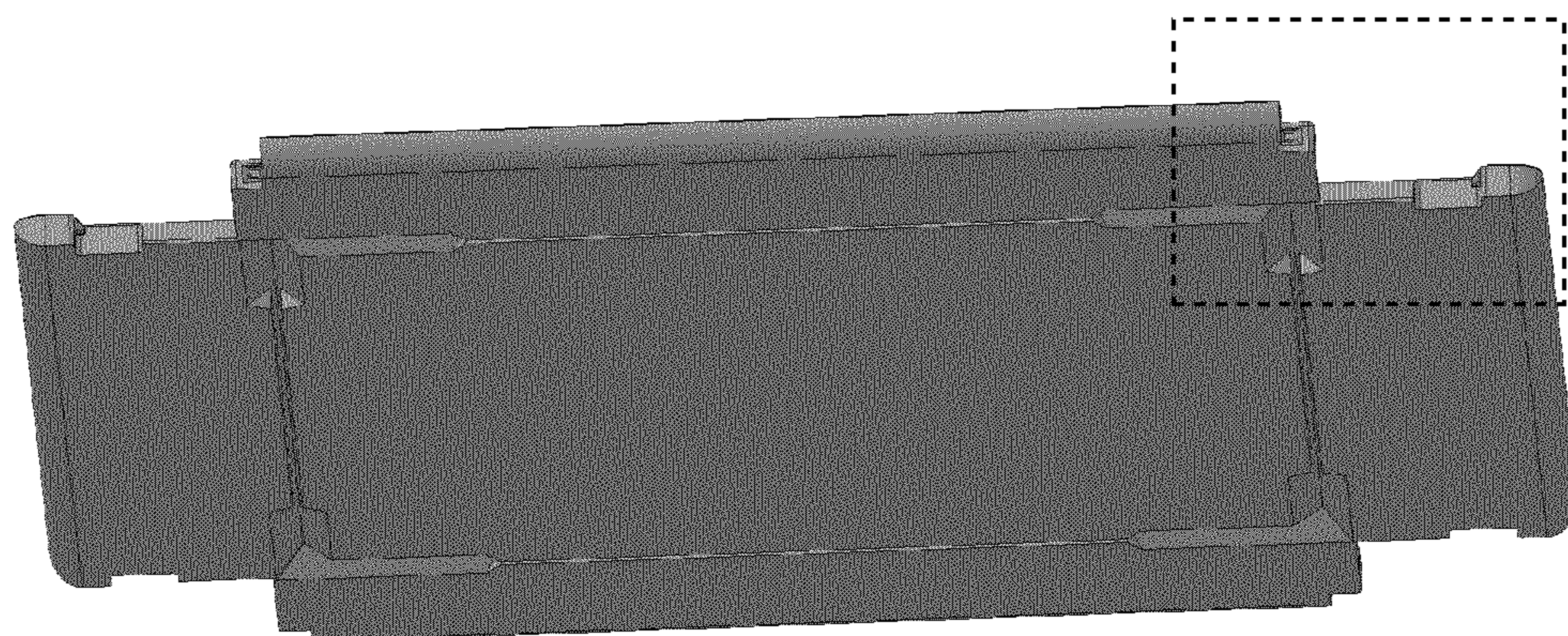


Fig. 19

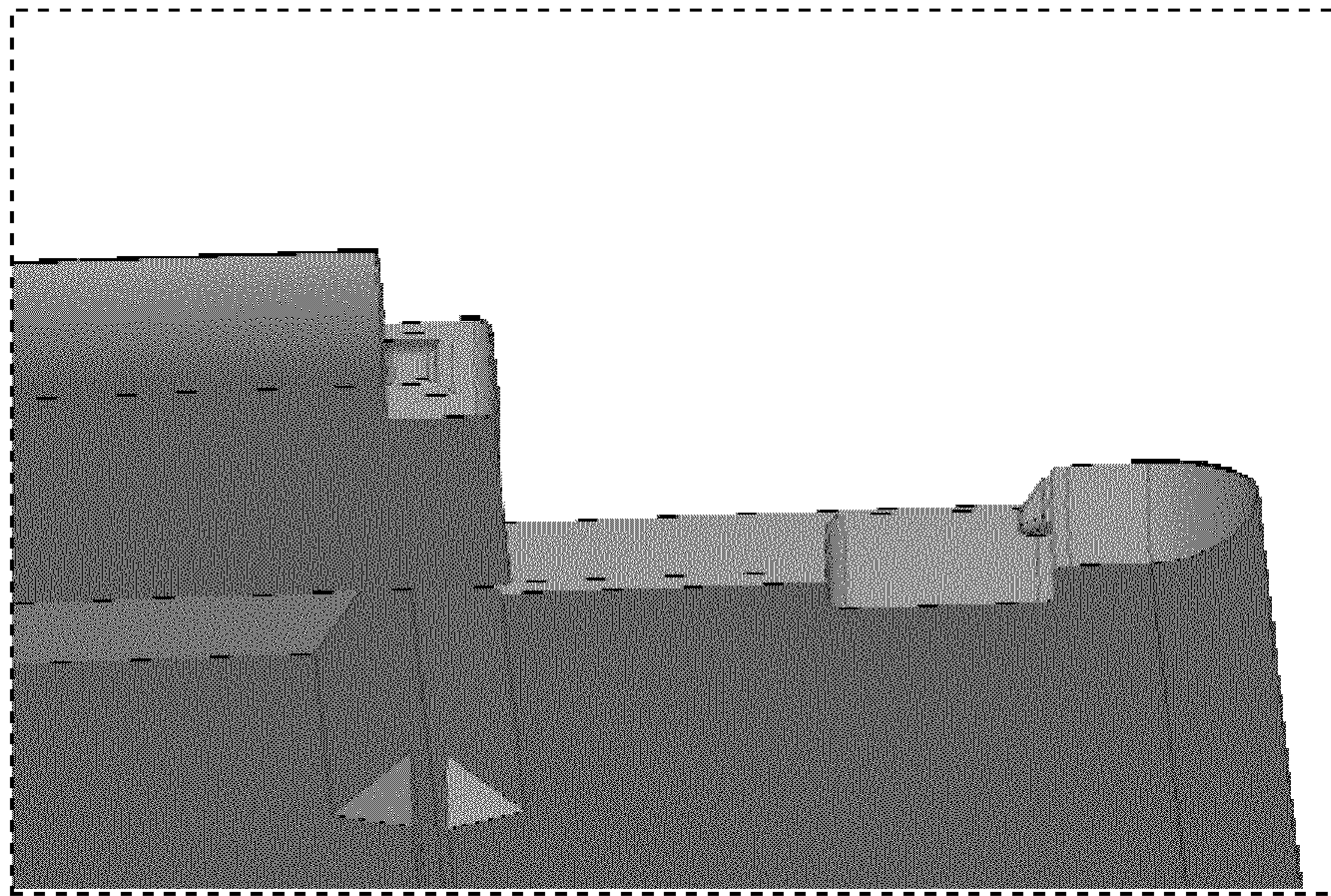


Fig. 20

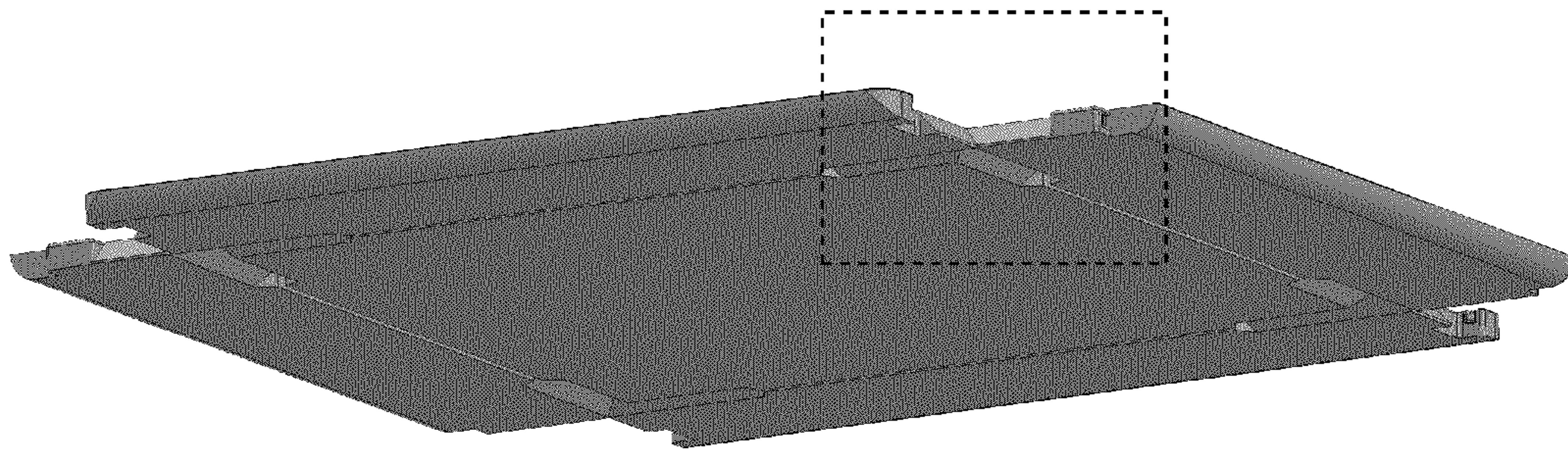


Fig. 21

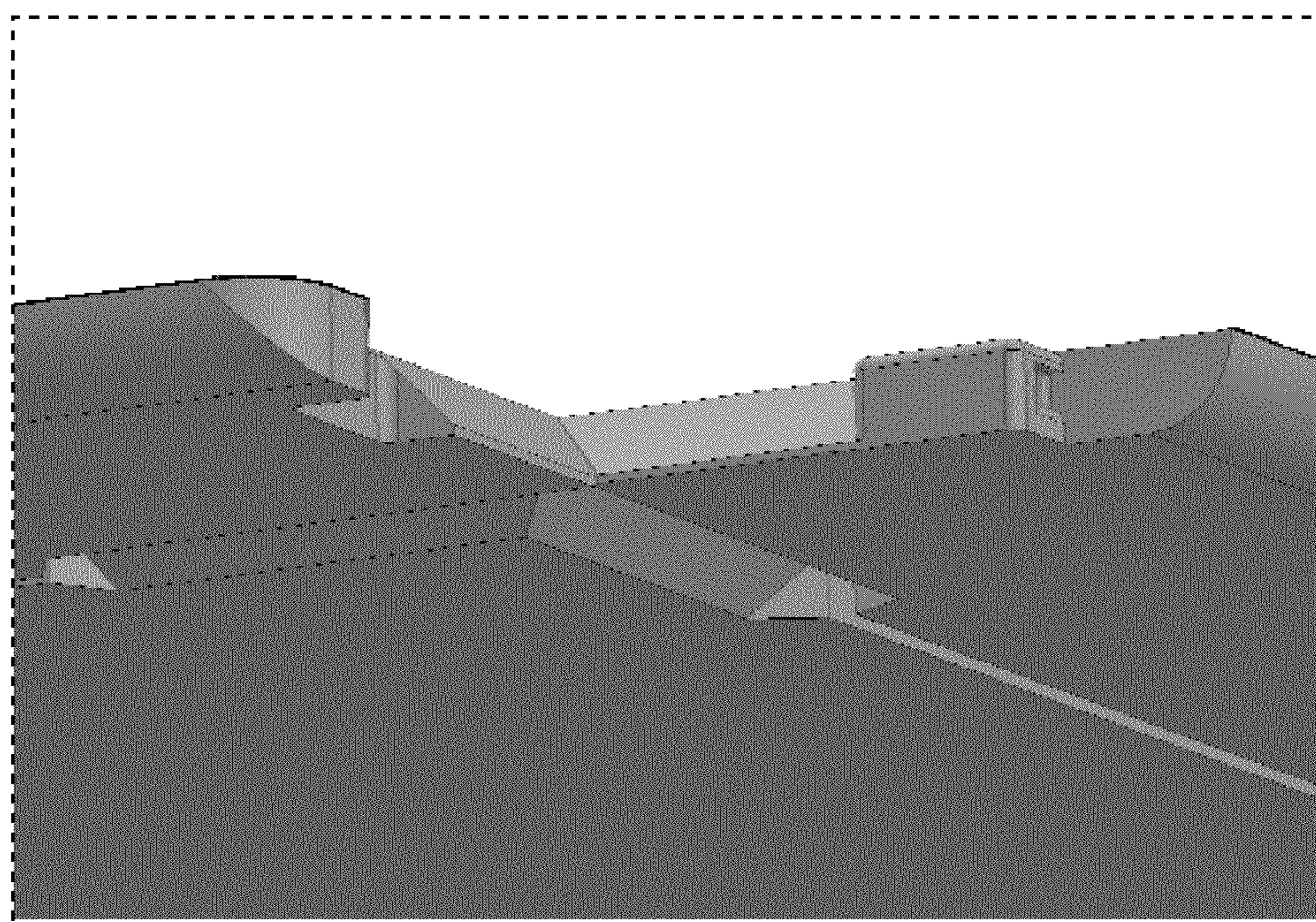


Fig. 22

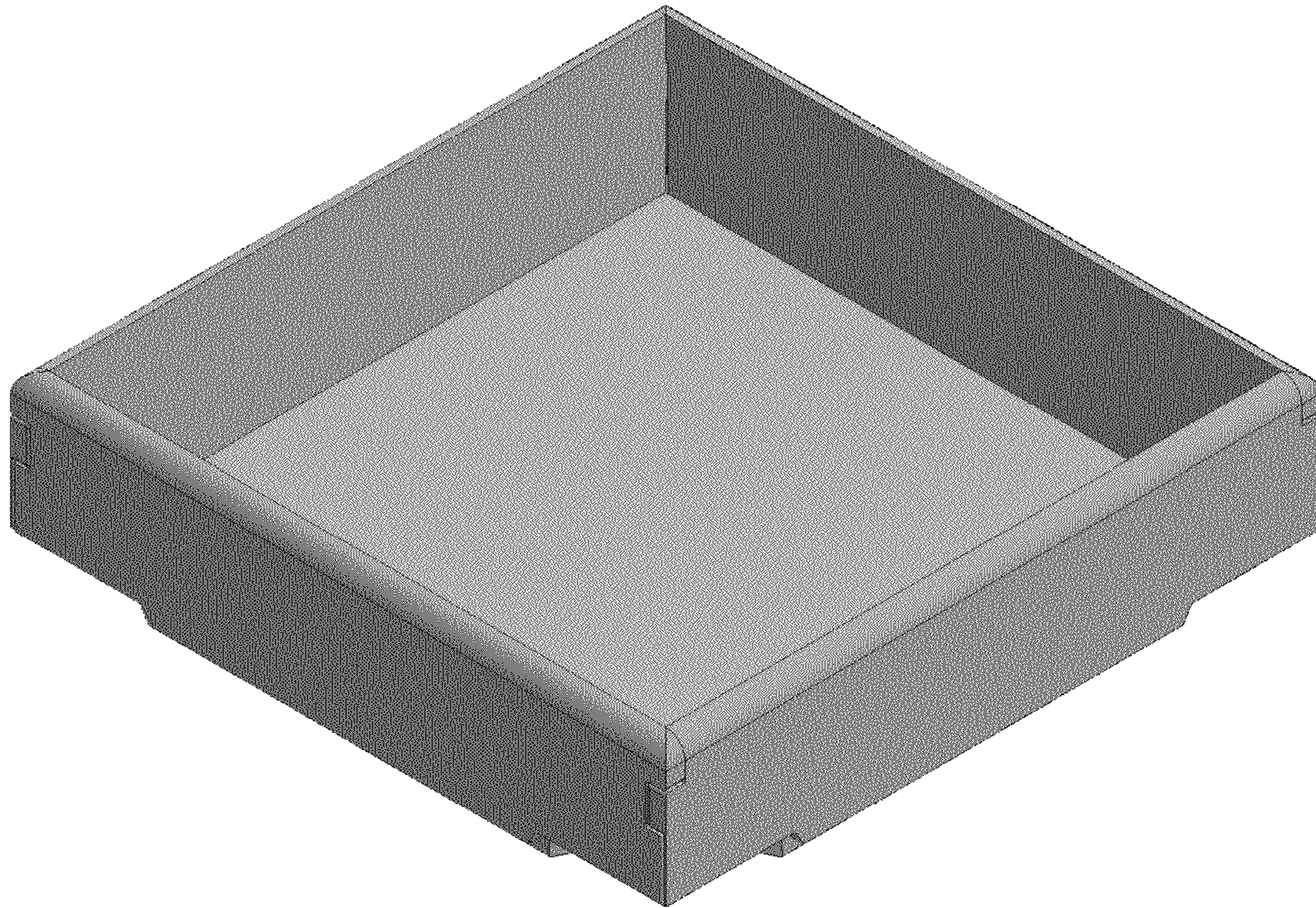


Fig. 23

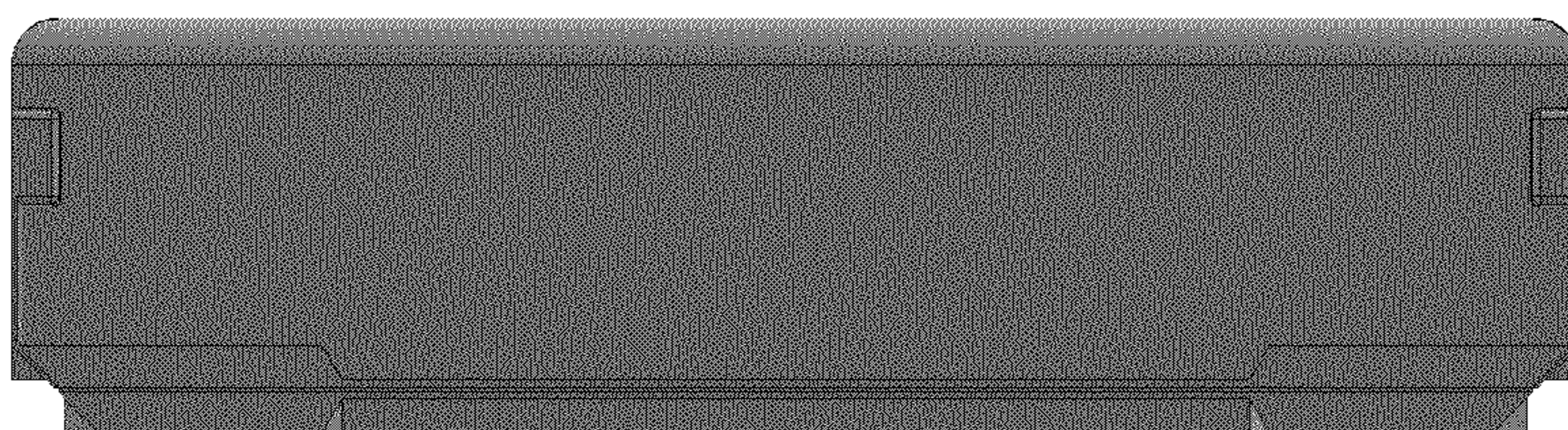


Fig. 24

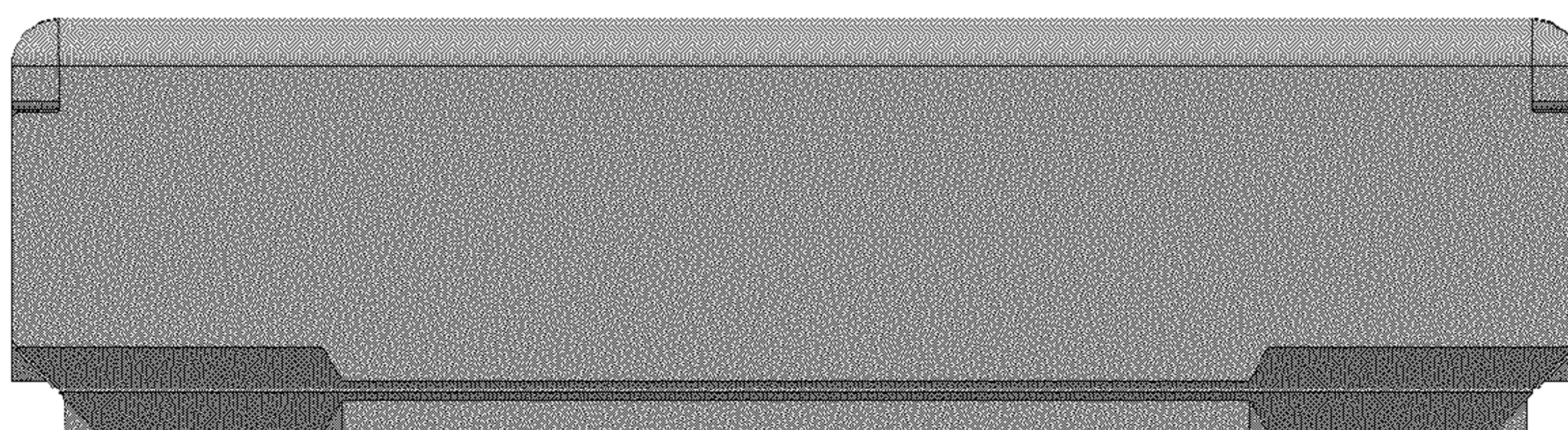


Fig. 25

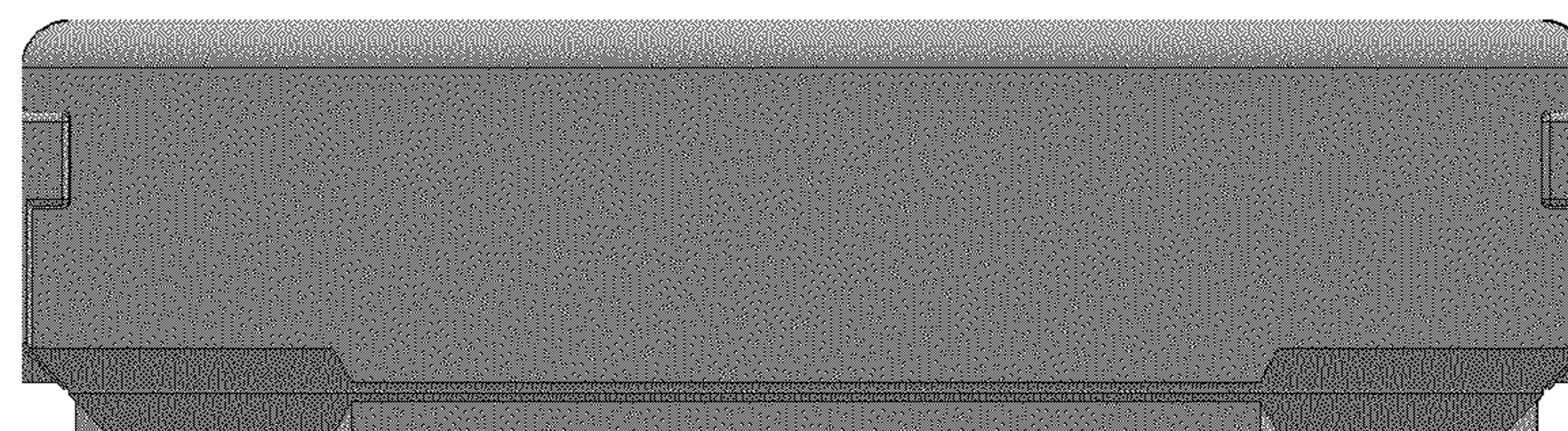


Fig. 26

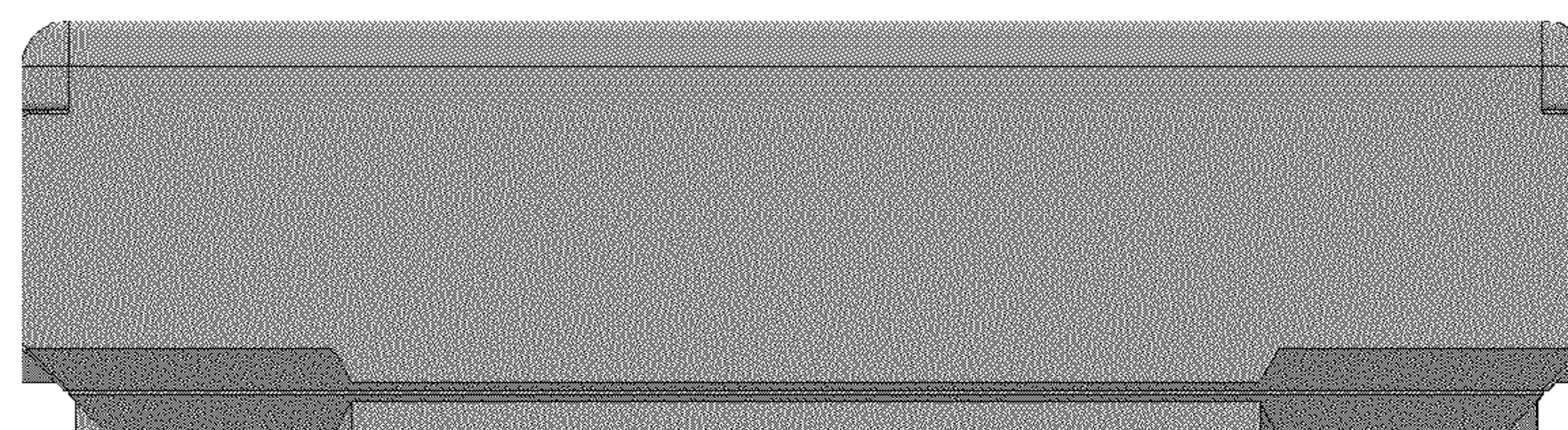


Fig. 27

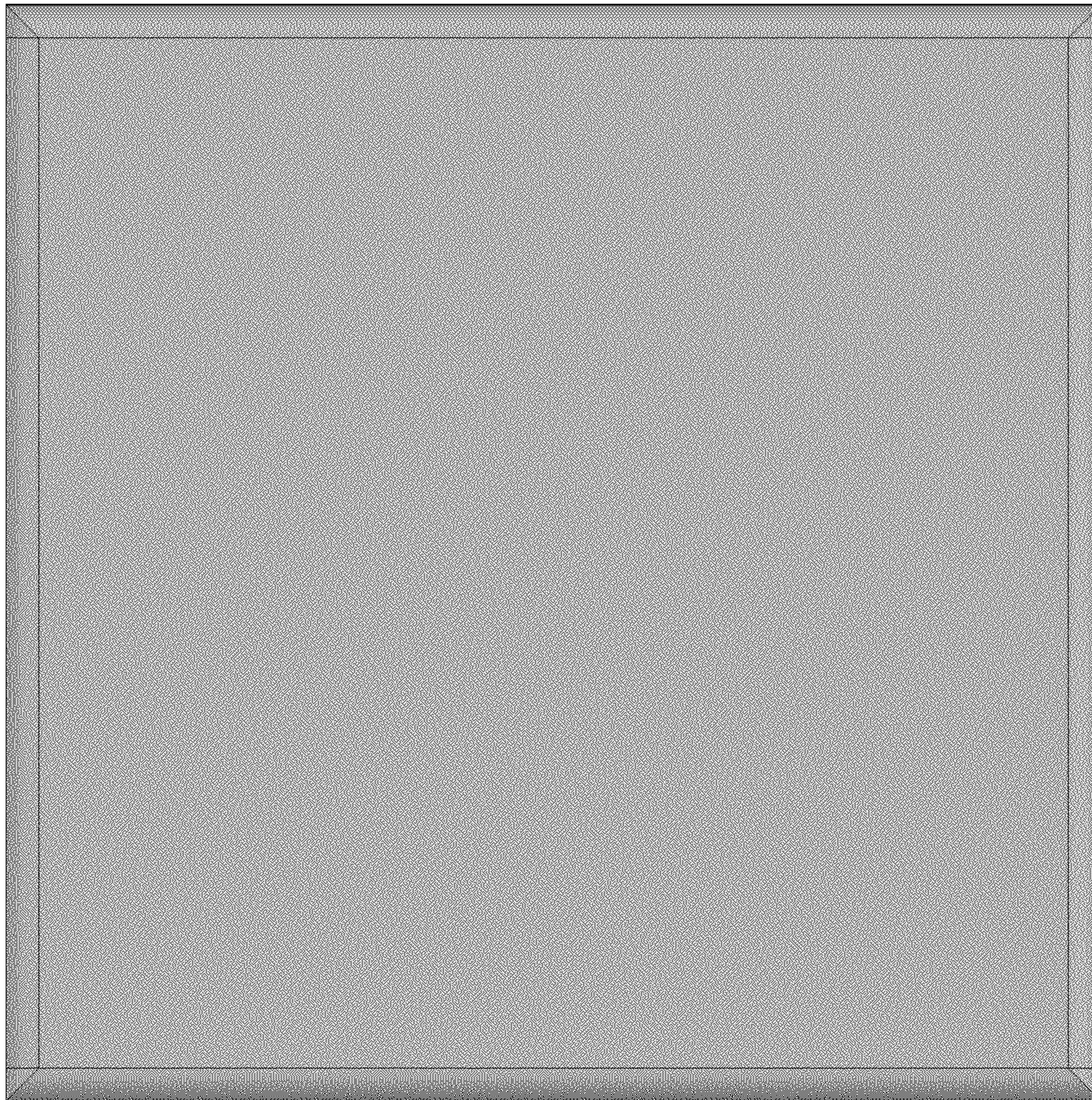


Fig. 28

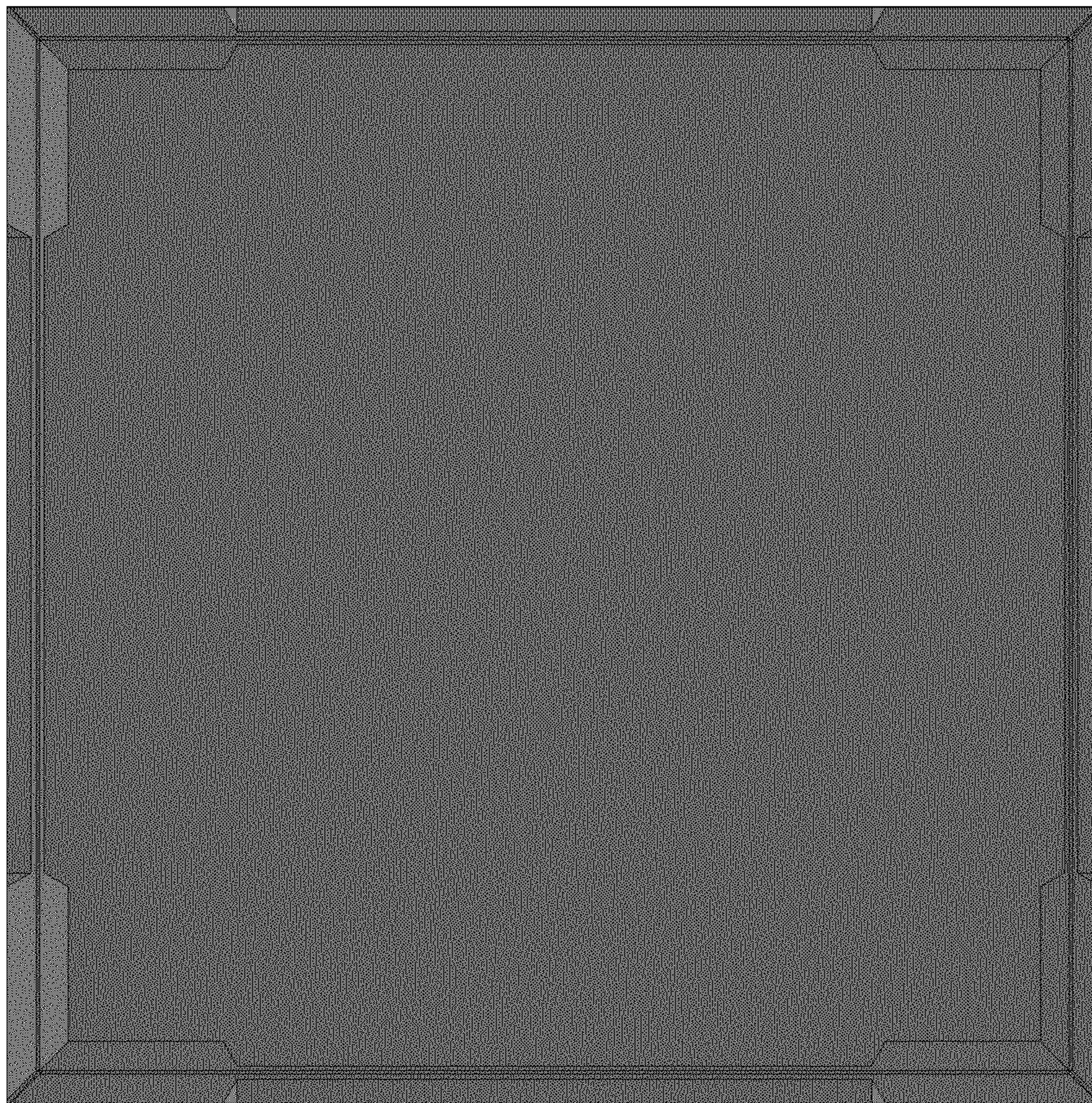


Fig. 29

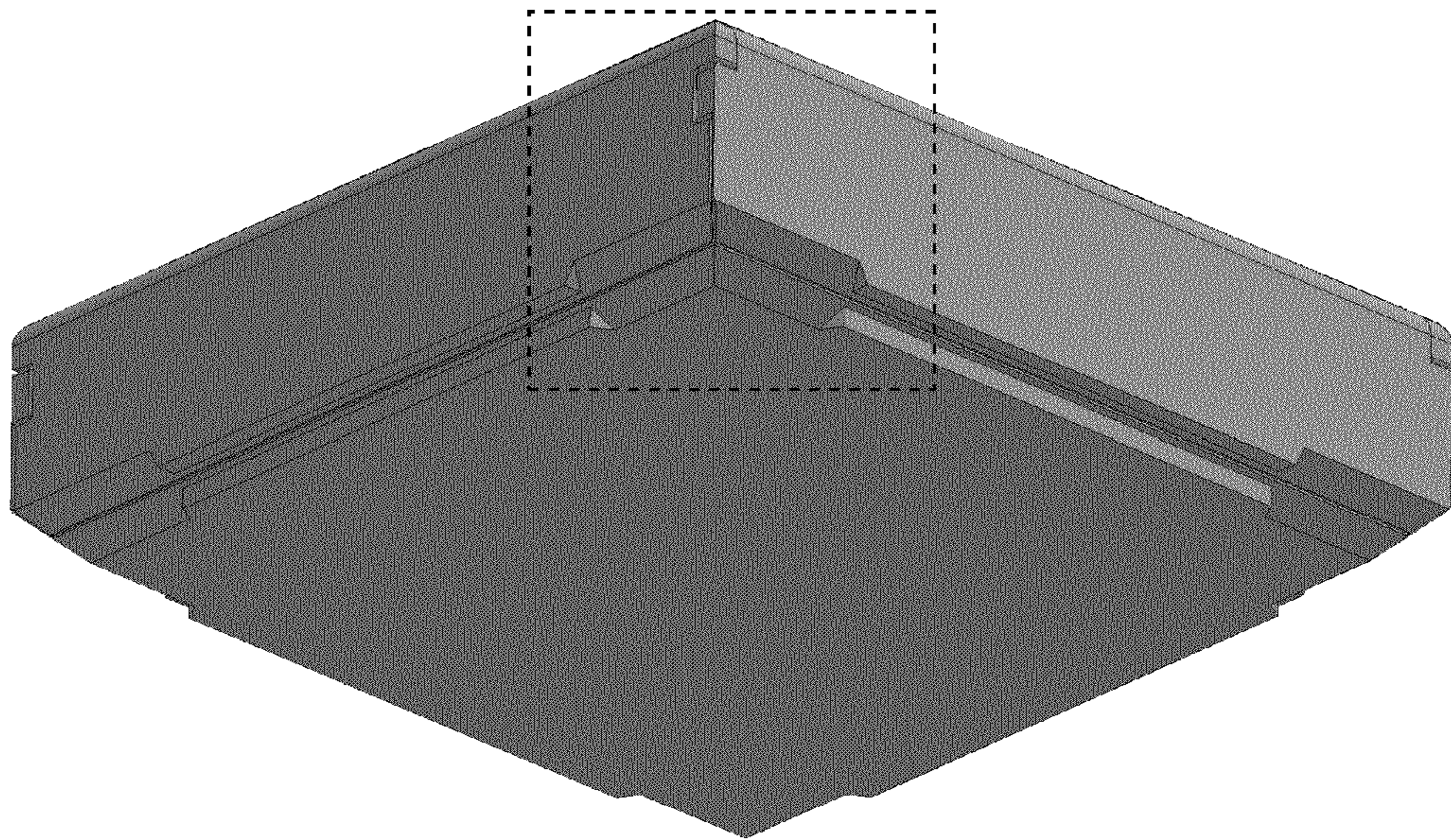


Fig. 30

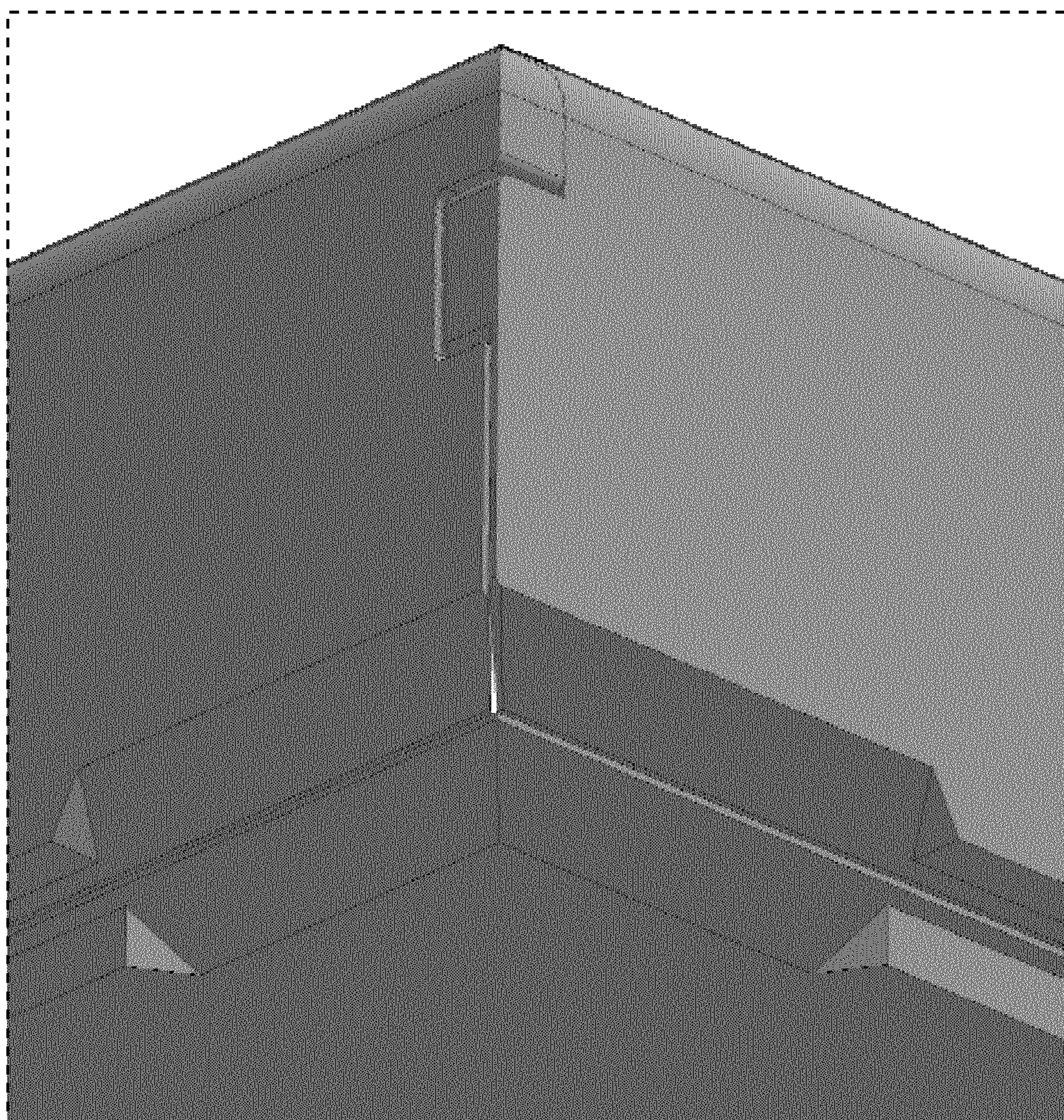


Fig. 31

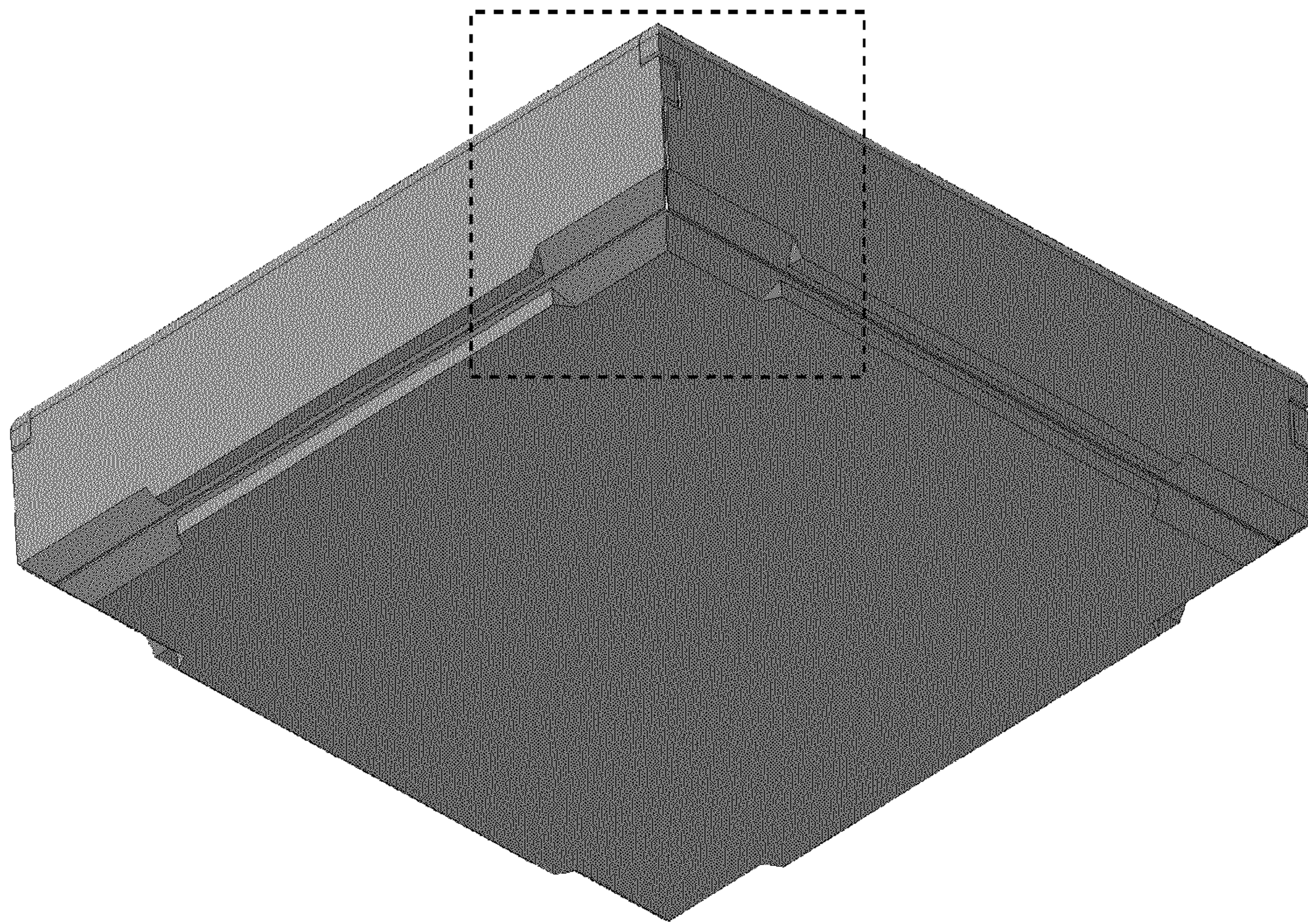


Fig. 32

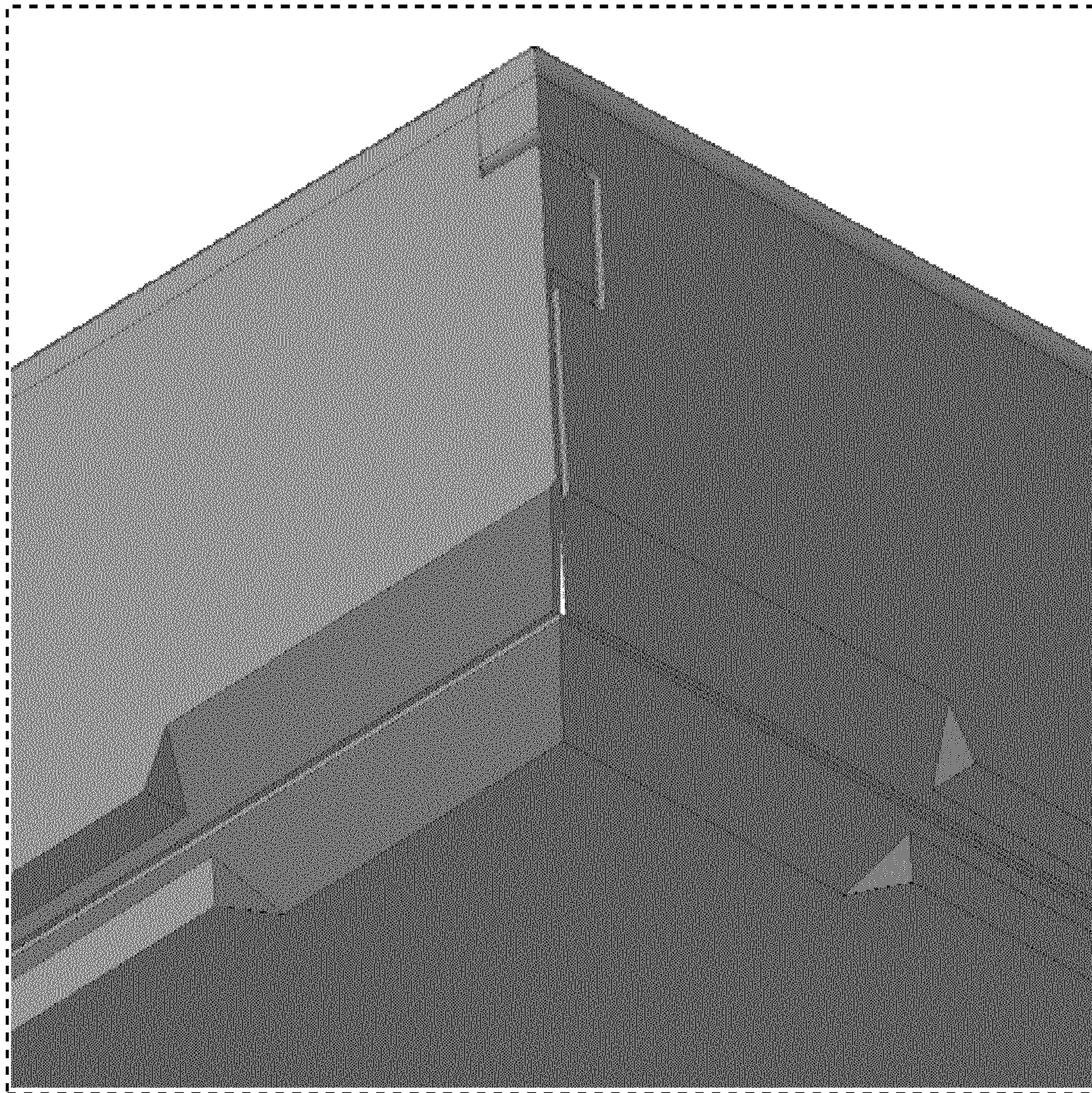


Fig. 33

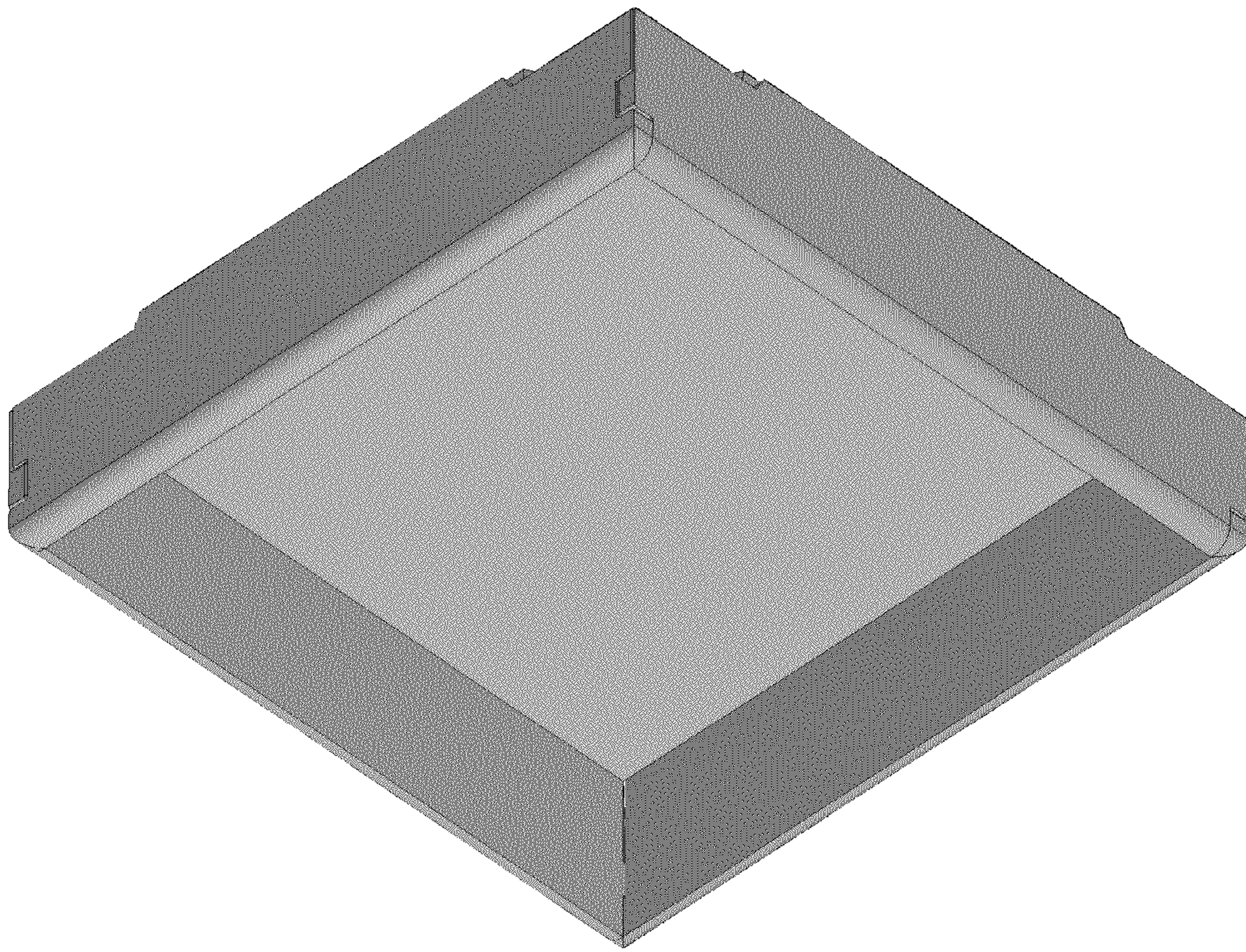


Fig. 34

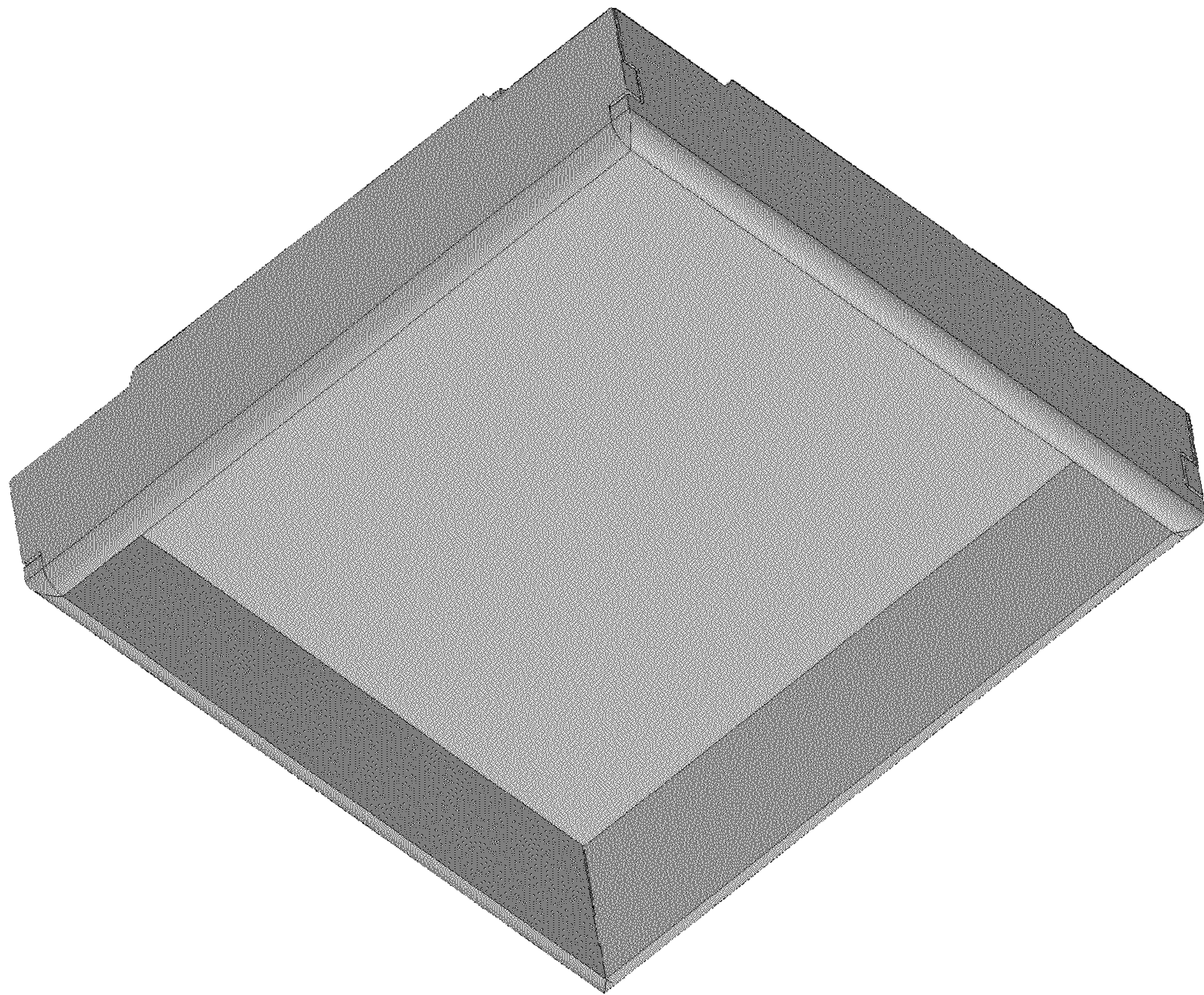


Fig. 35

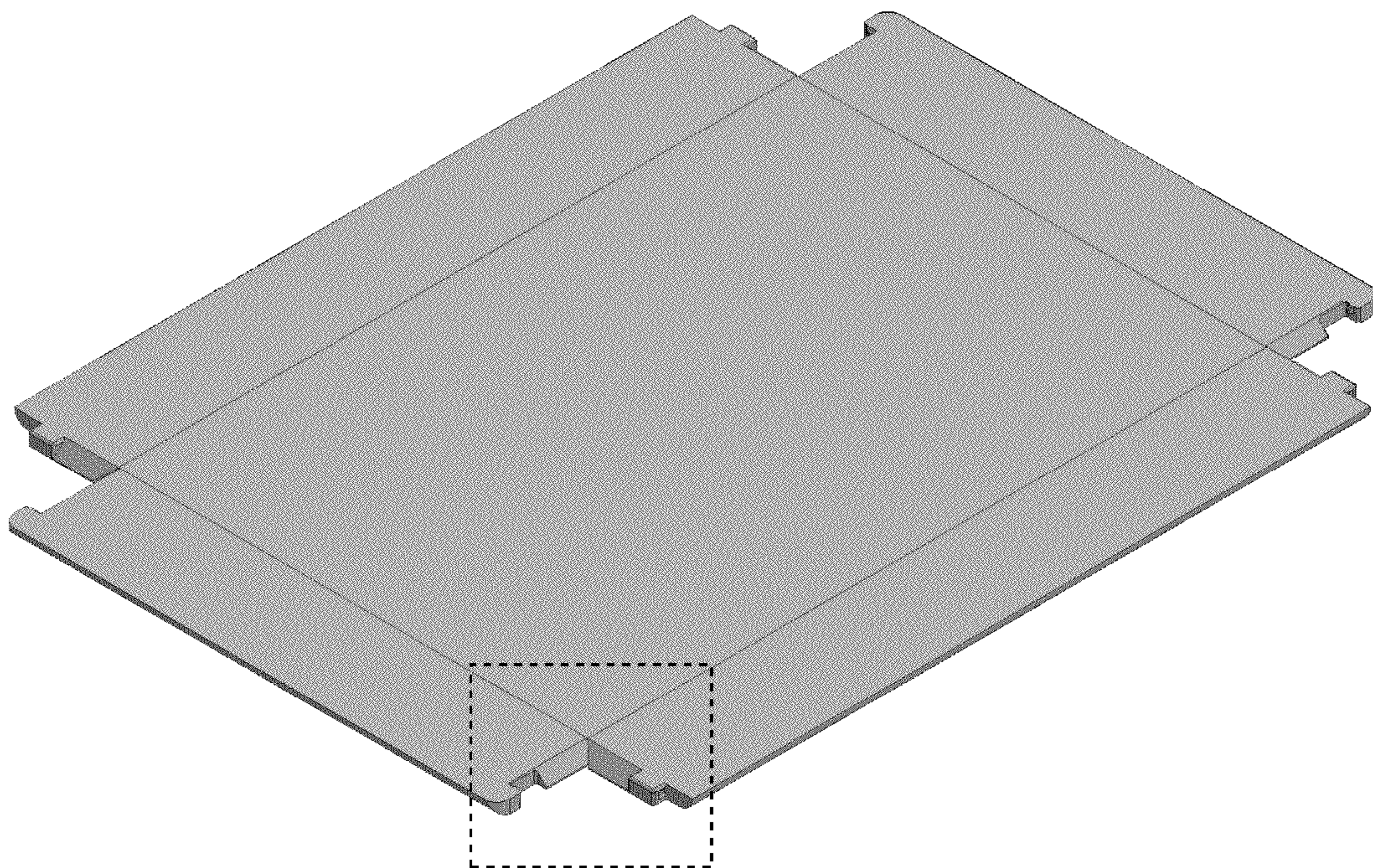


Fig. 36

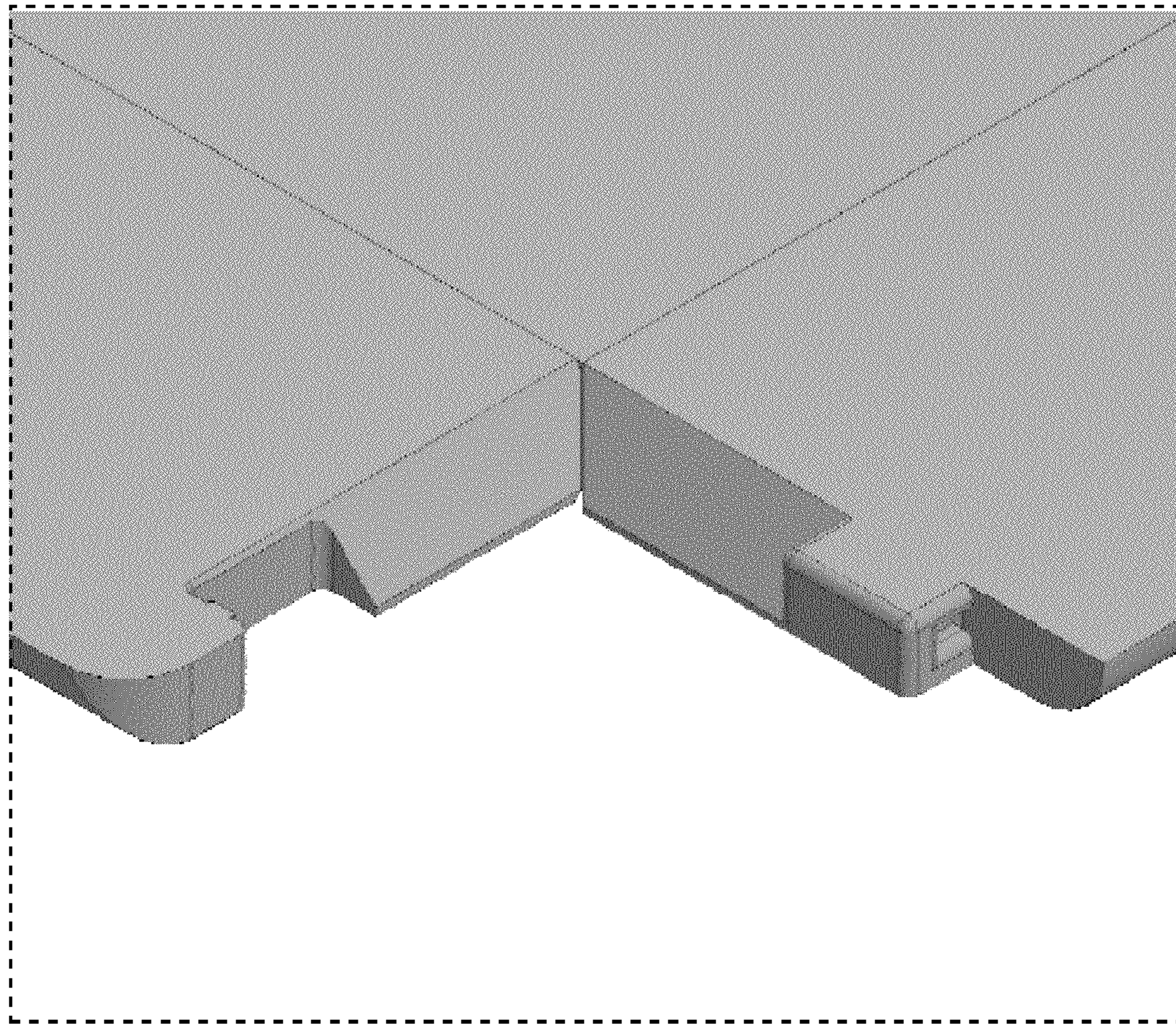


Fig. 37

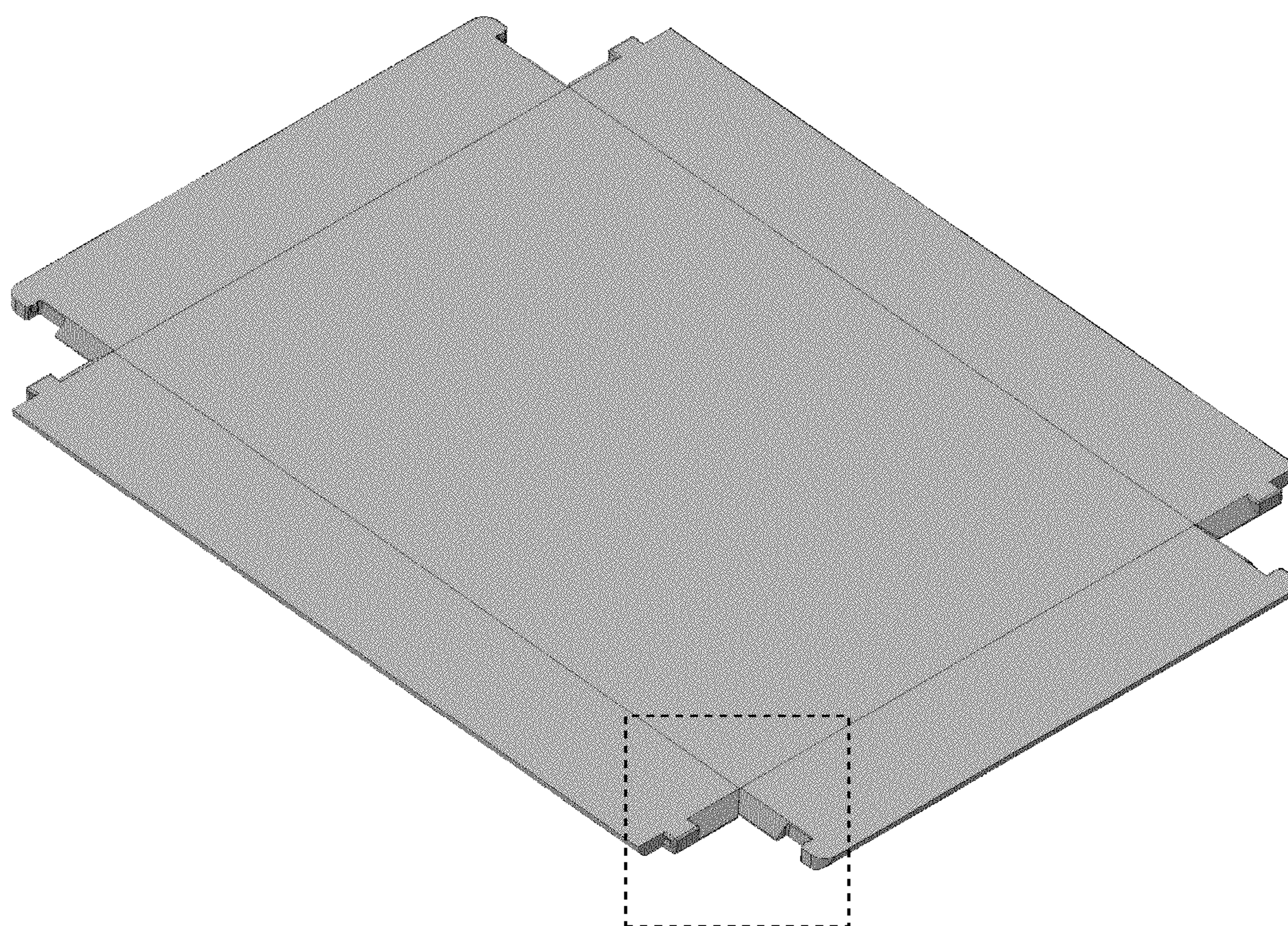


Fig. 38

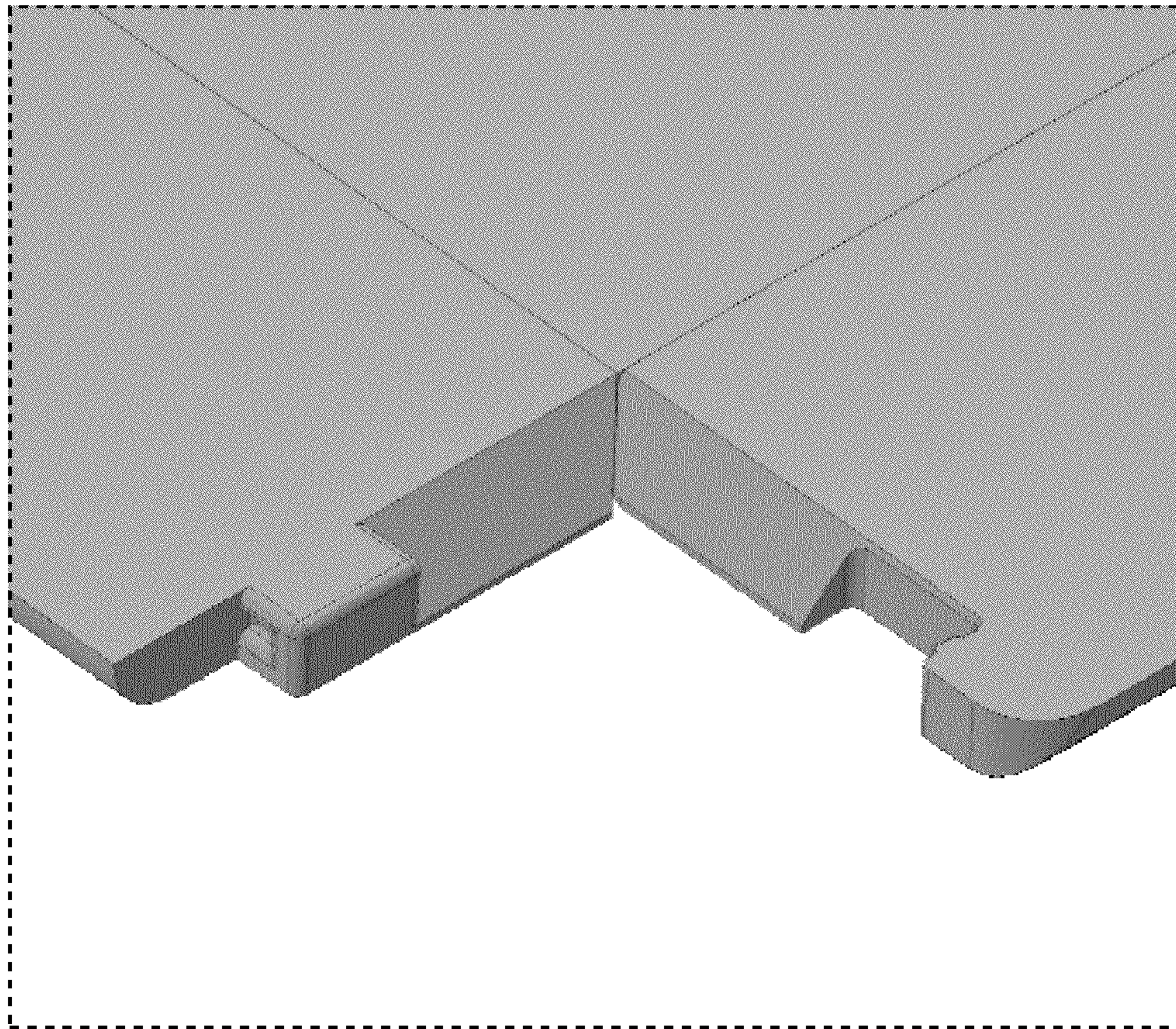


Fig. 39



Fig. 40



Fig. 41



Fig. 42



Fig. 43

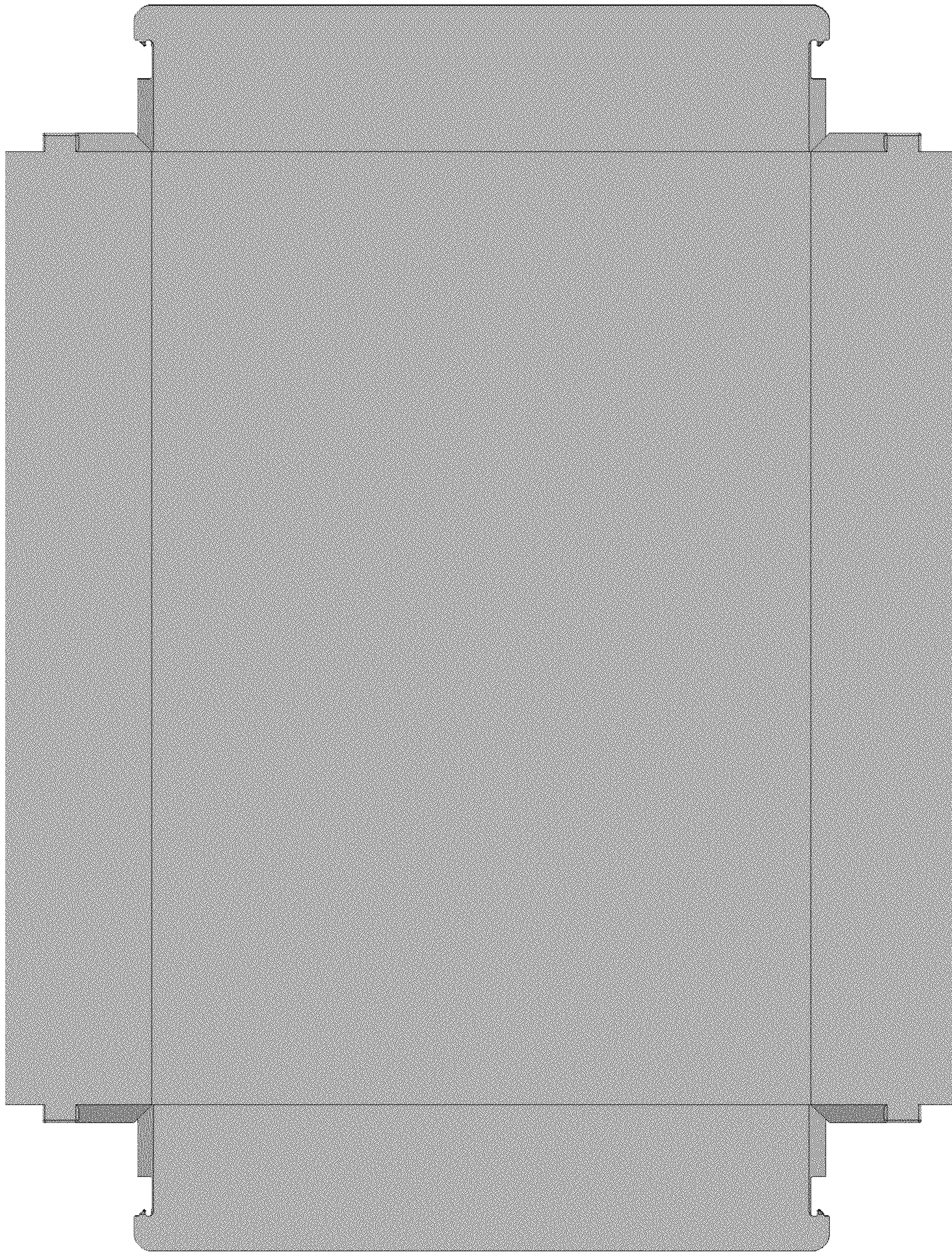


Fig. 44

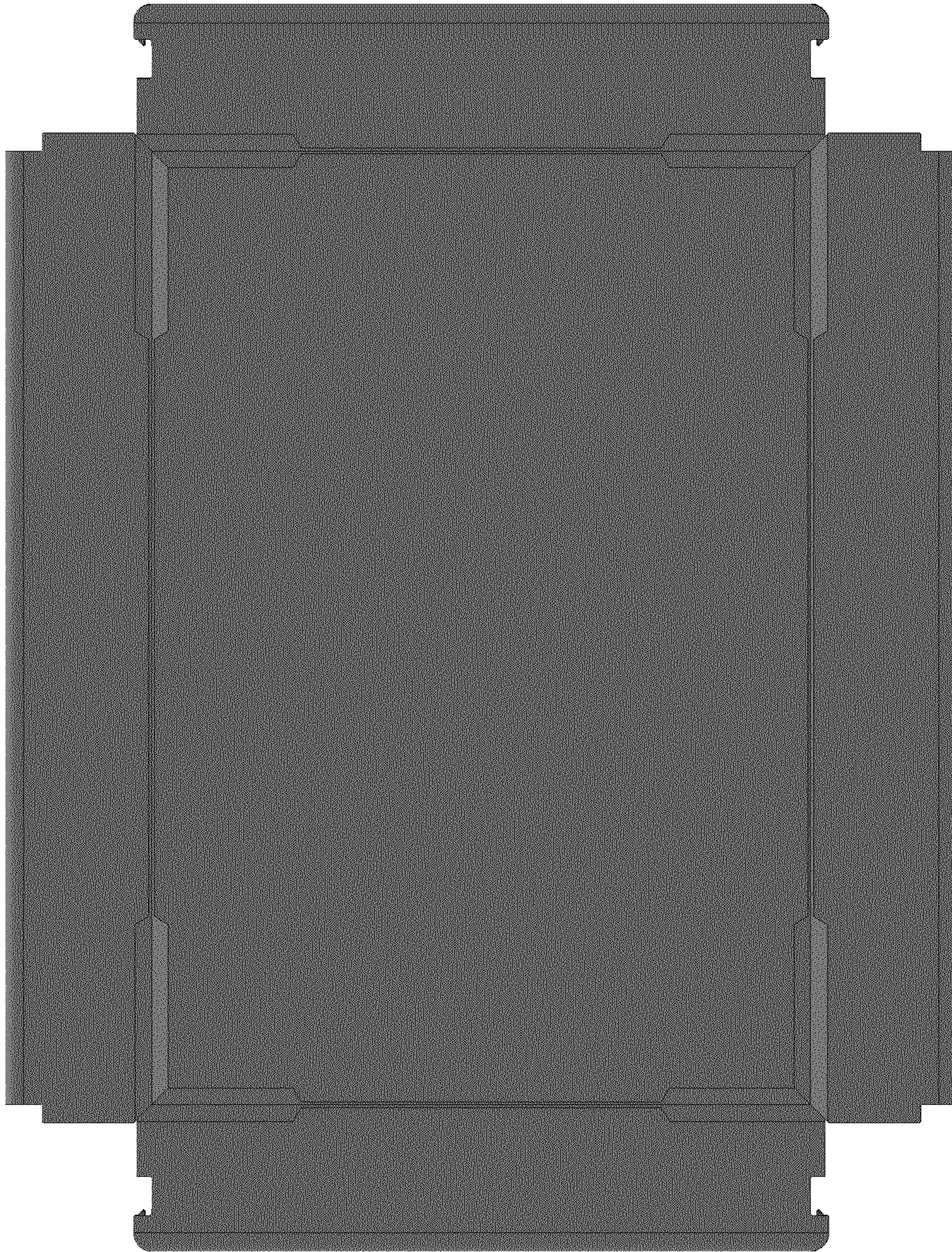


Fig. 45

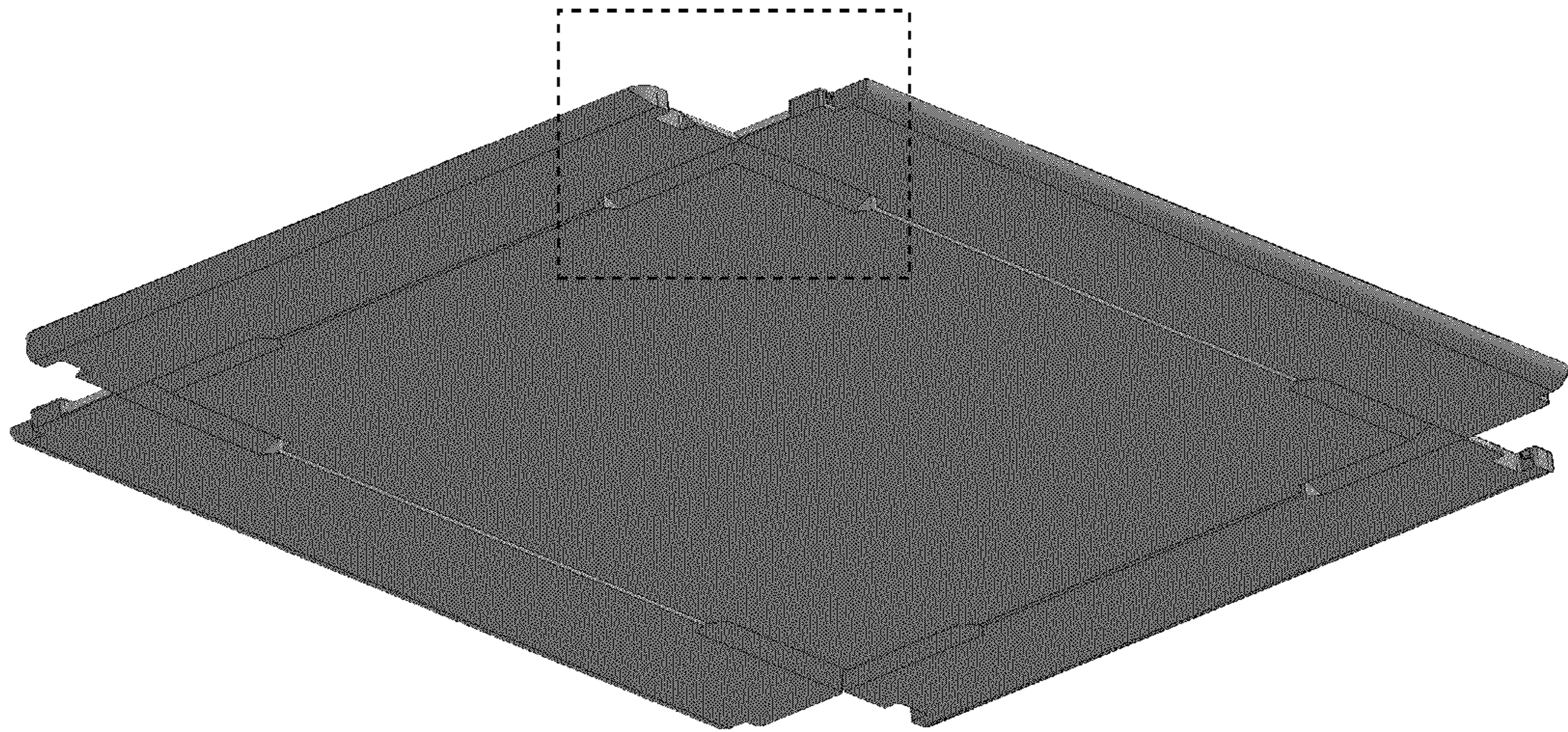


Fig. 46

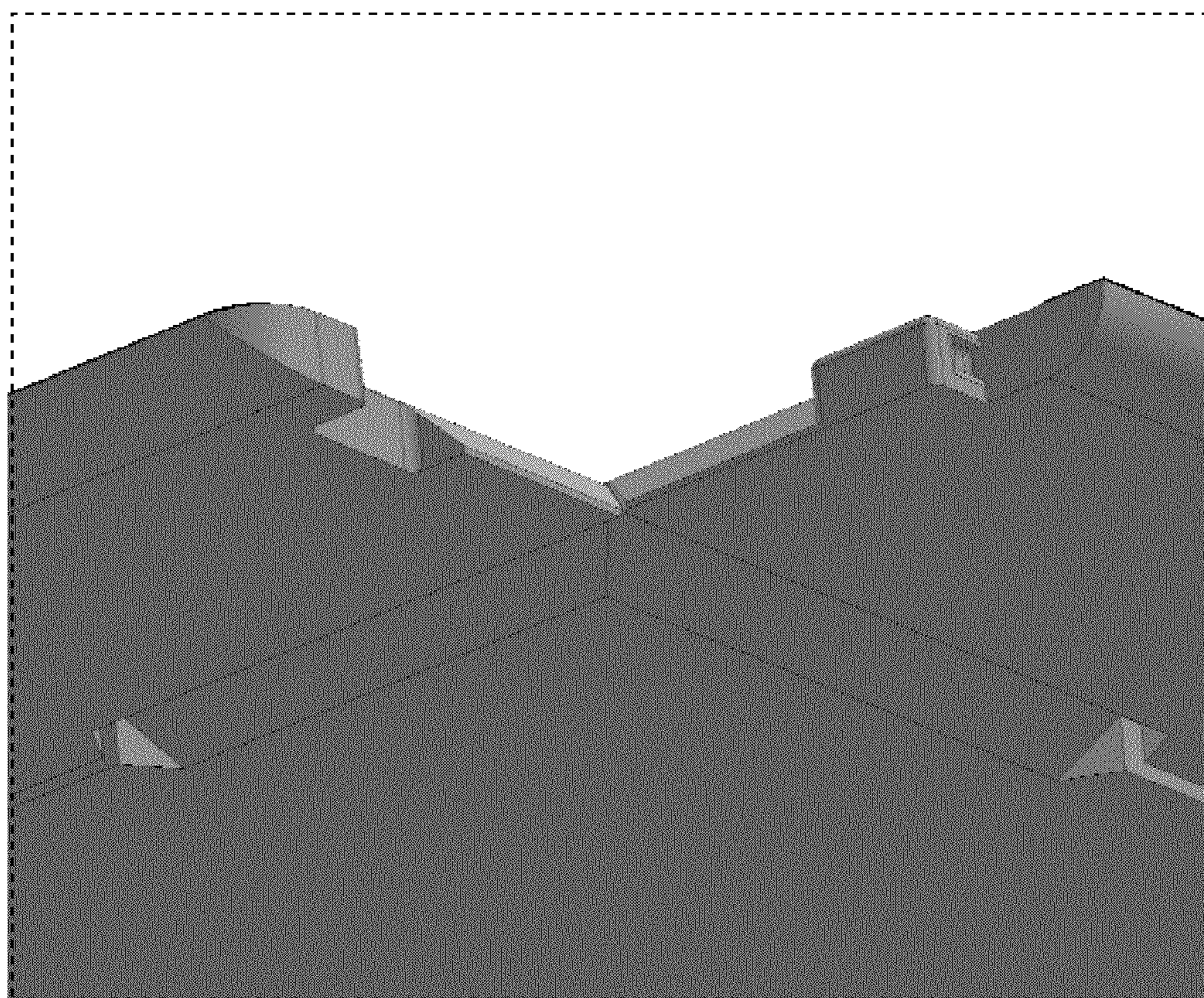


Fig. 47

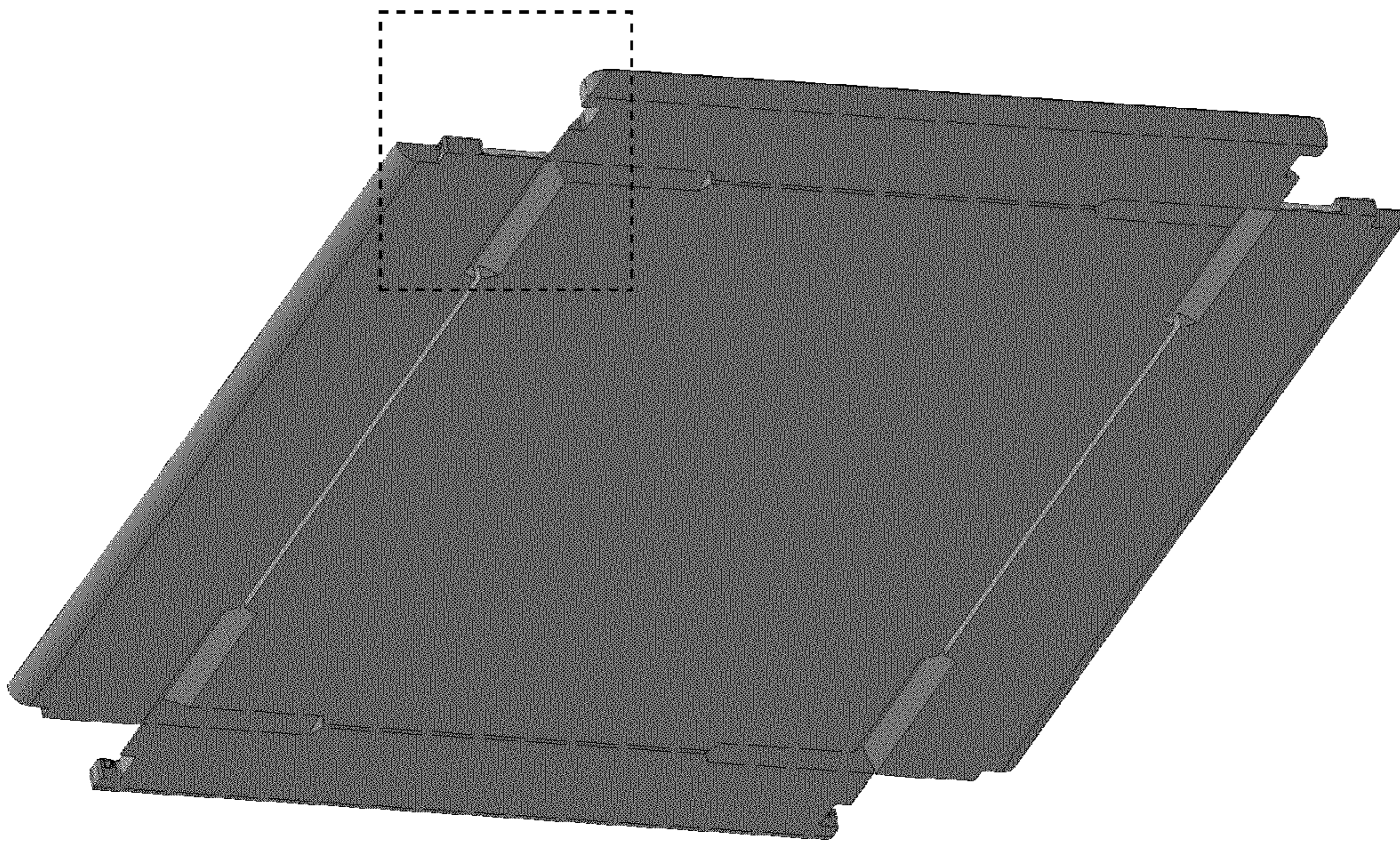


Fig. 48

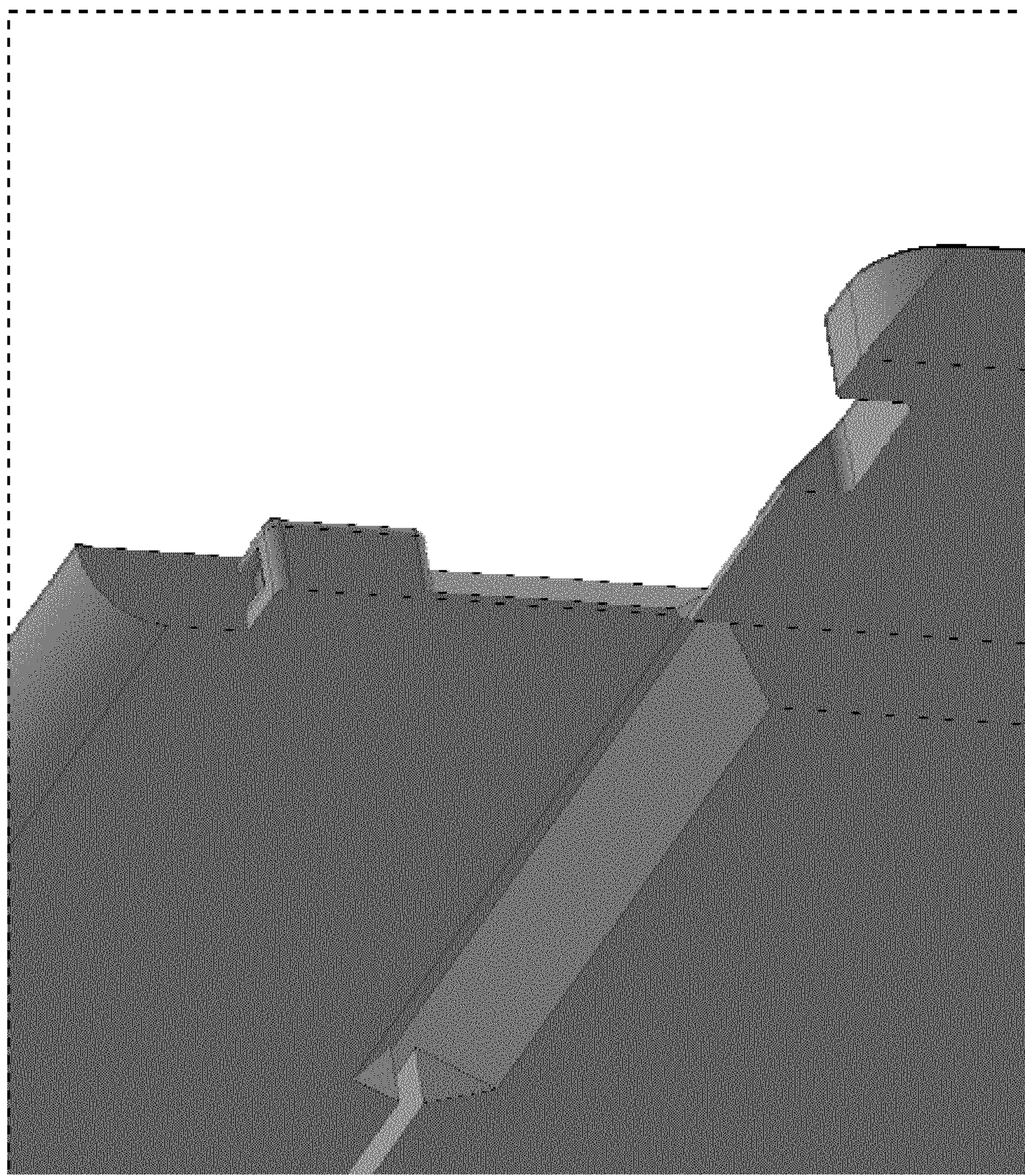


Fig. 49

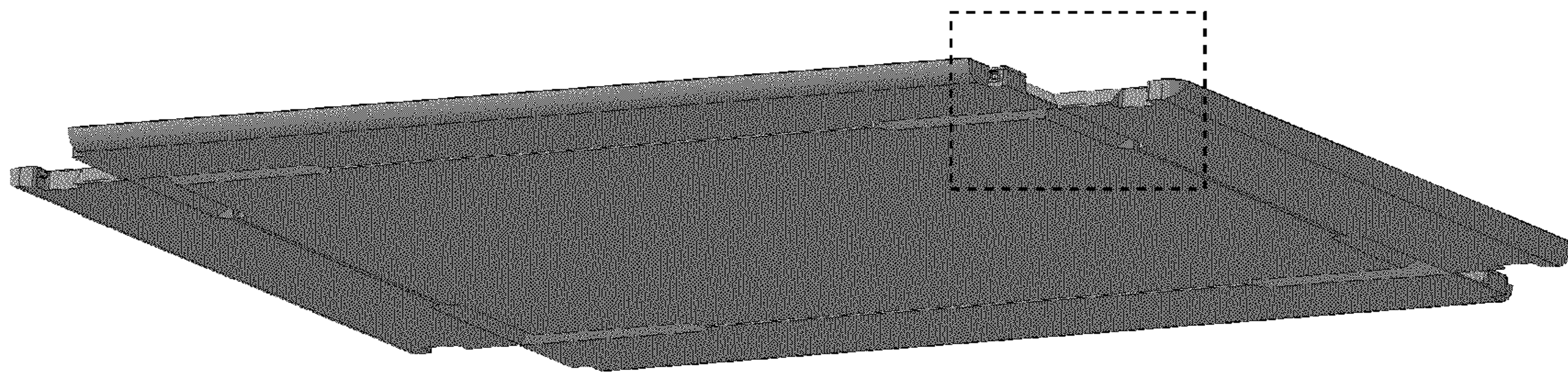


Fig. 50

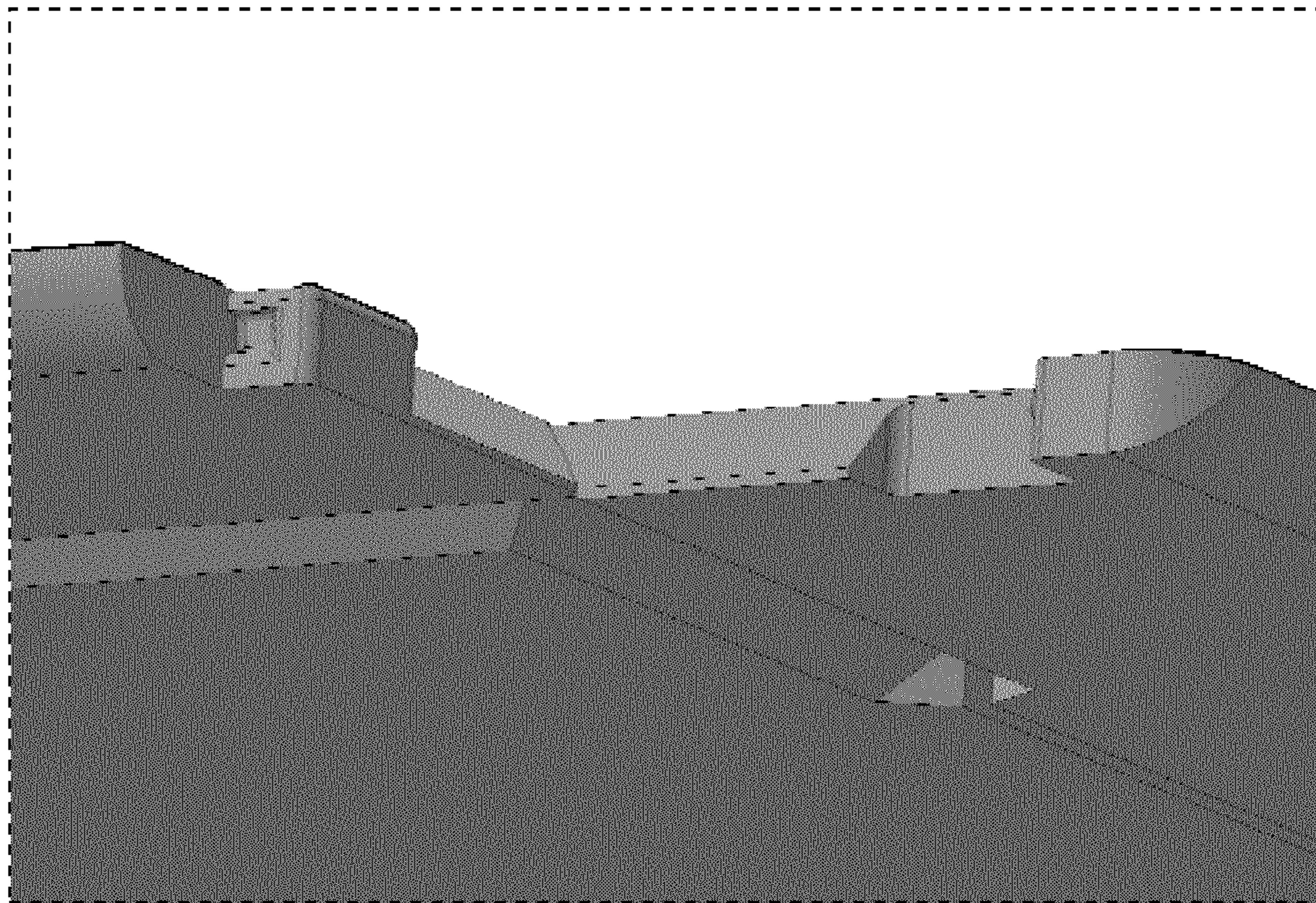


Fig. 51

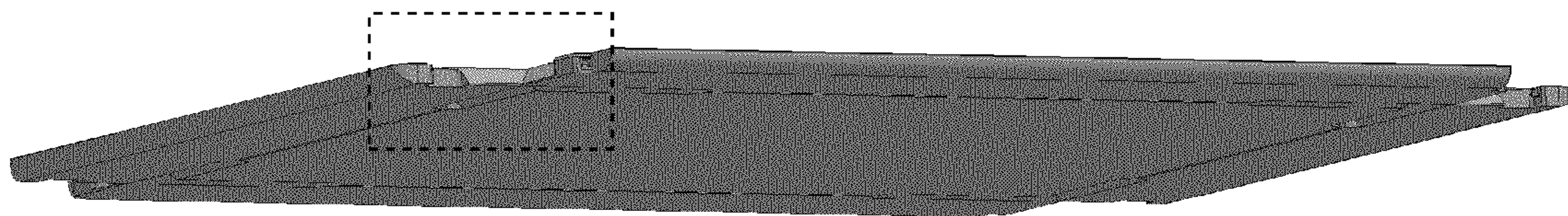


Fig. 52

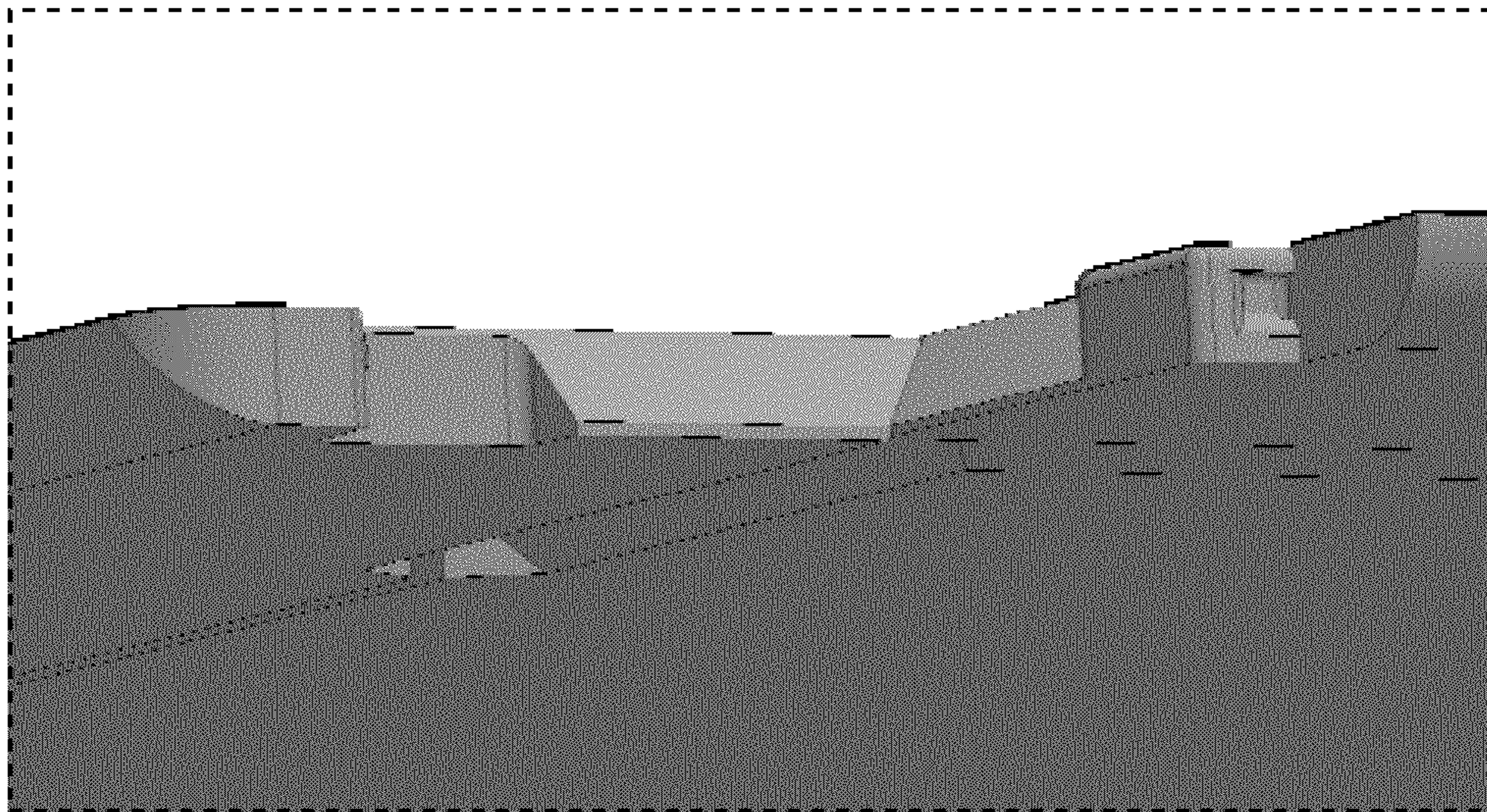


Fig. 53

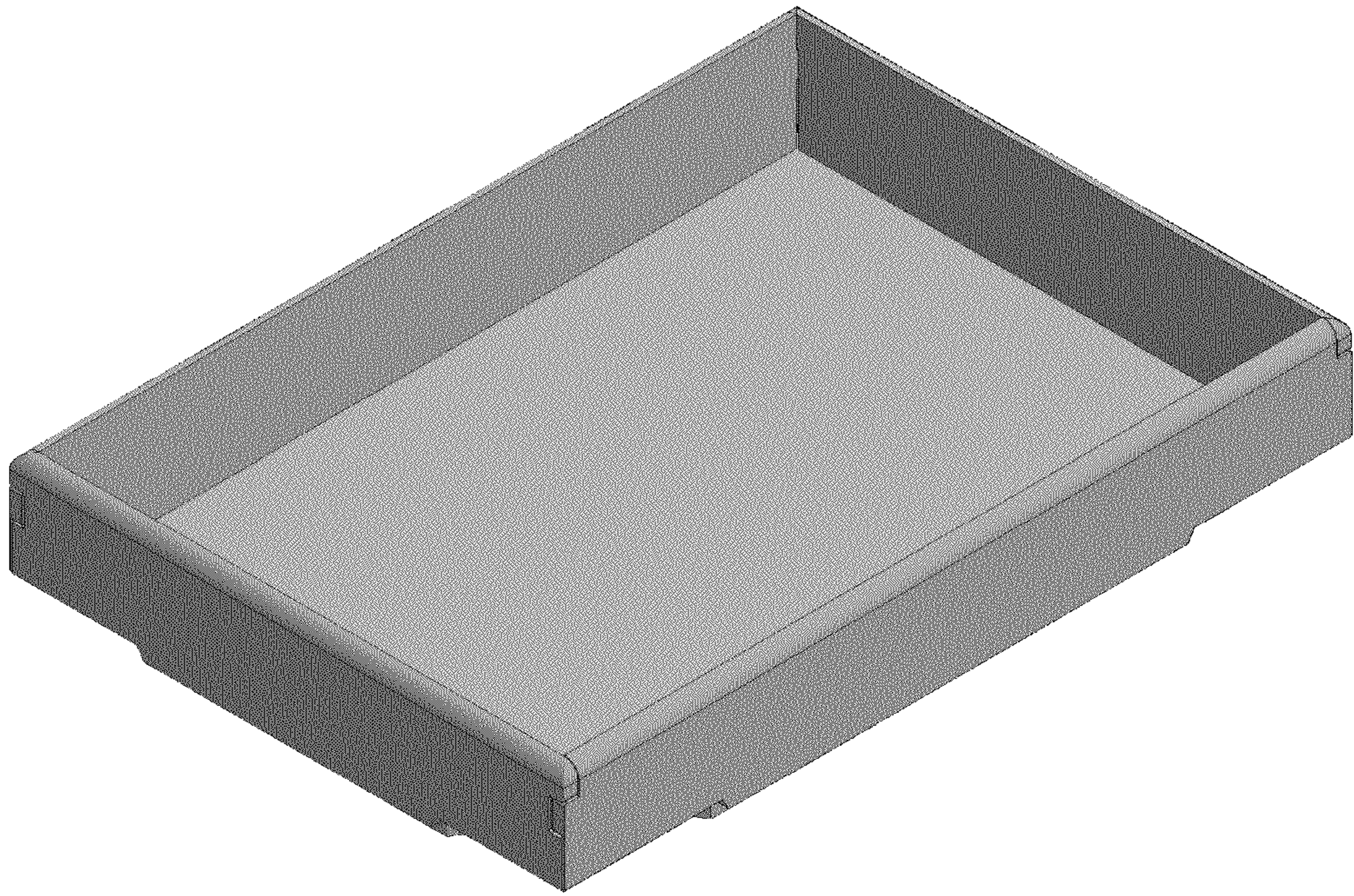


Fig. 54

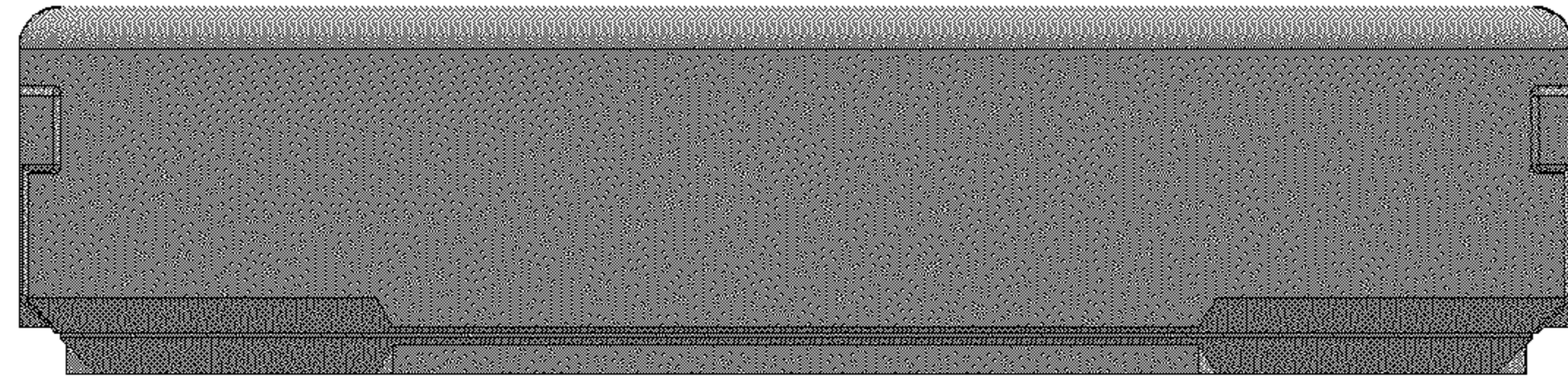


Fig. 55

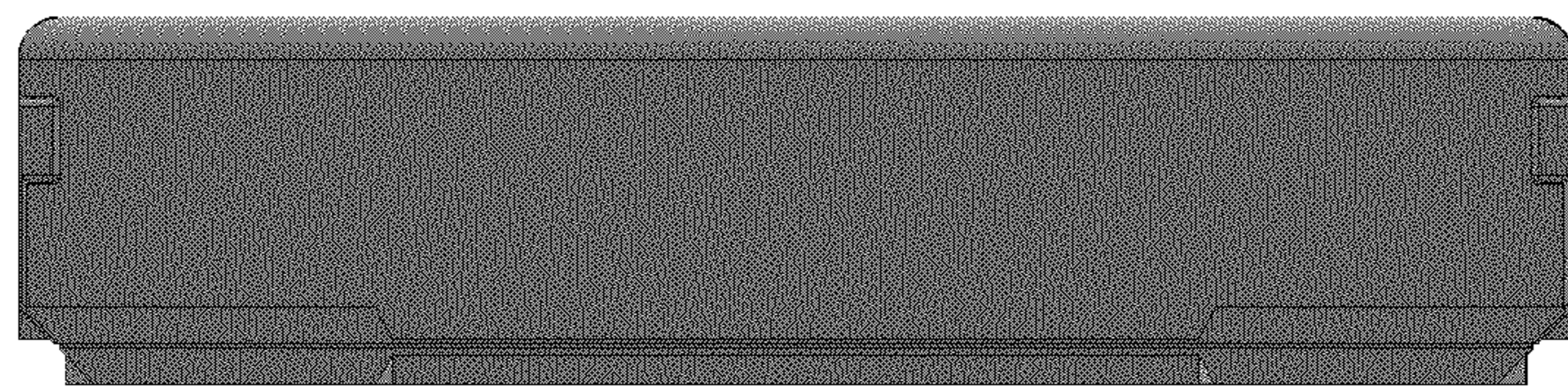


Fig. 56

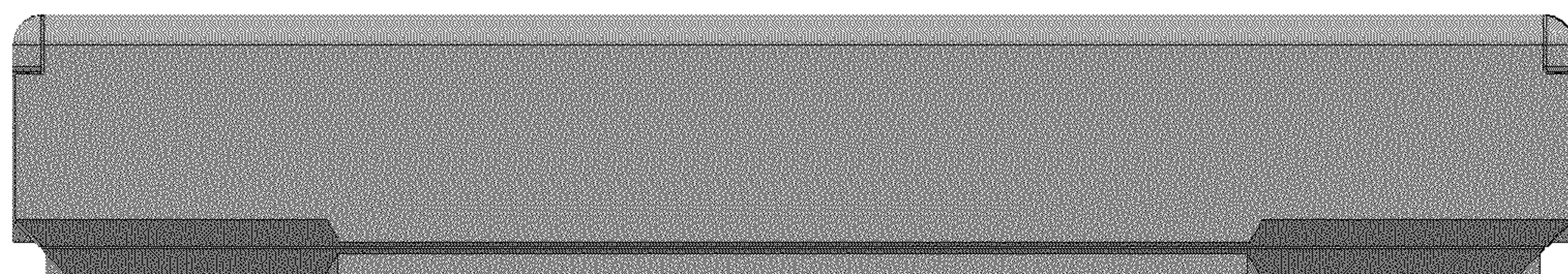


Fig. 57

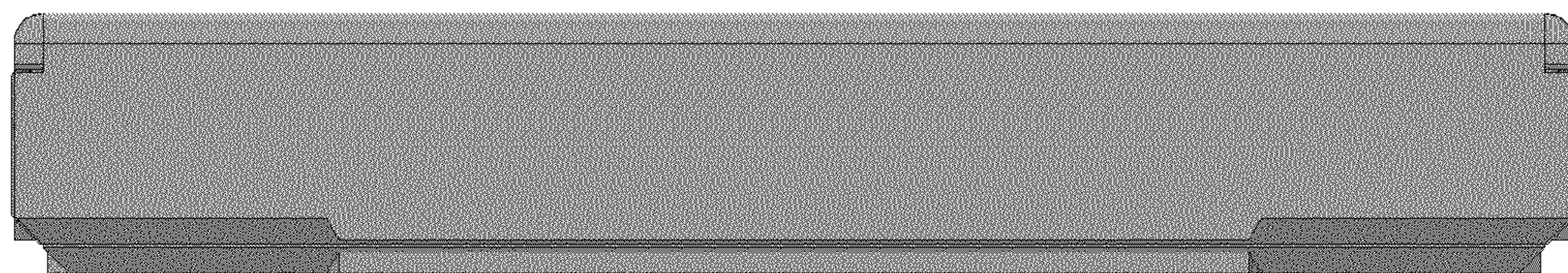


Fig. 58

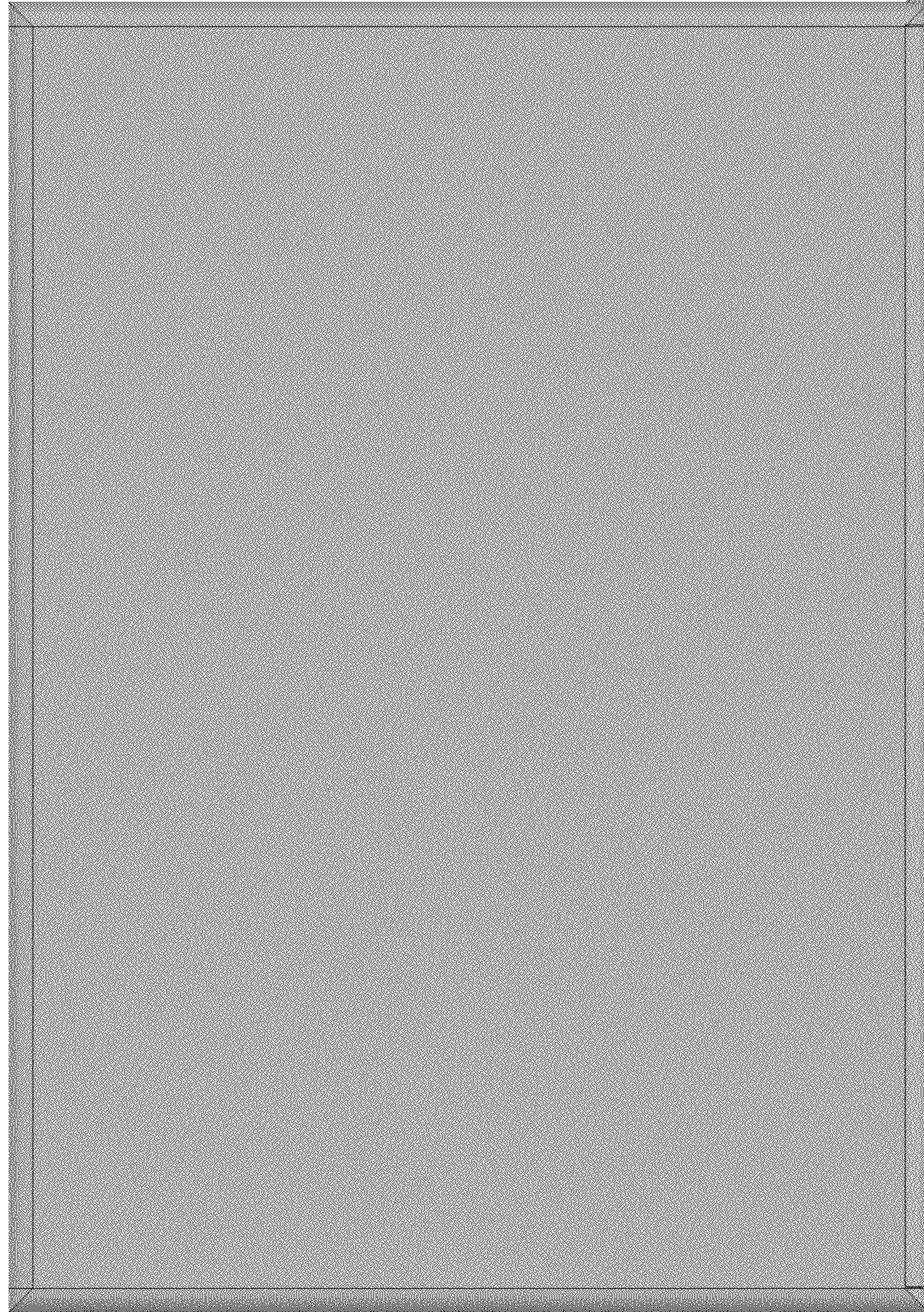


Fig. 59

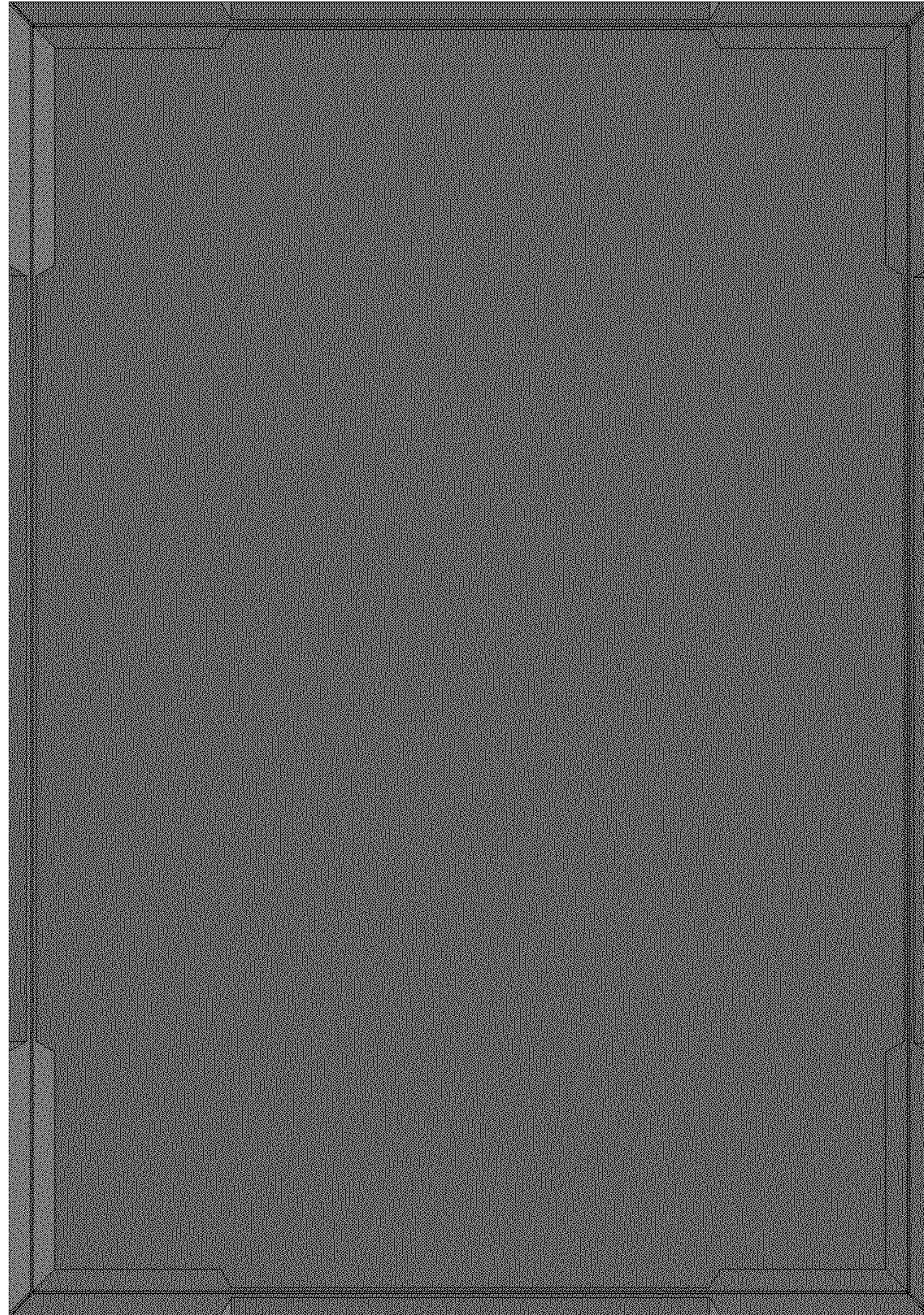


Fig. 60

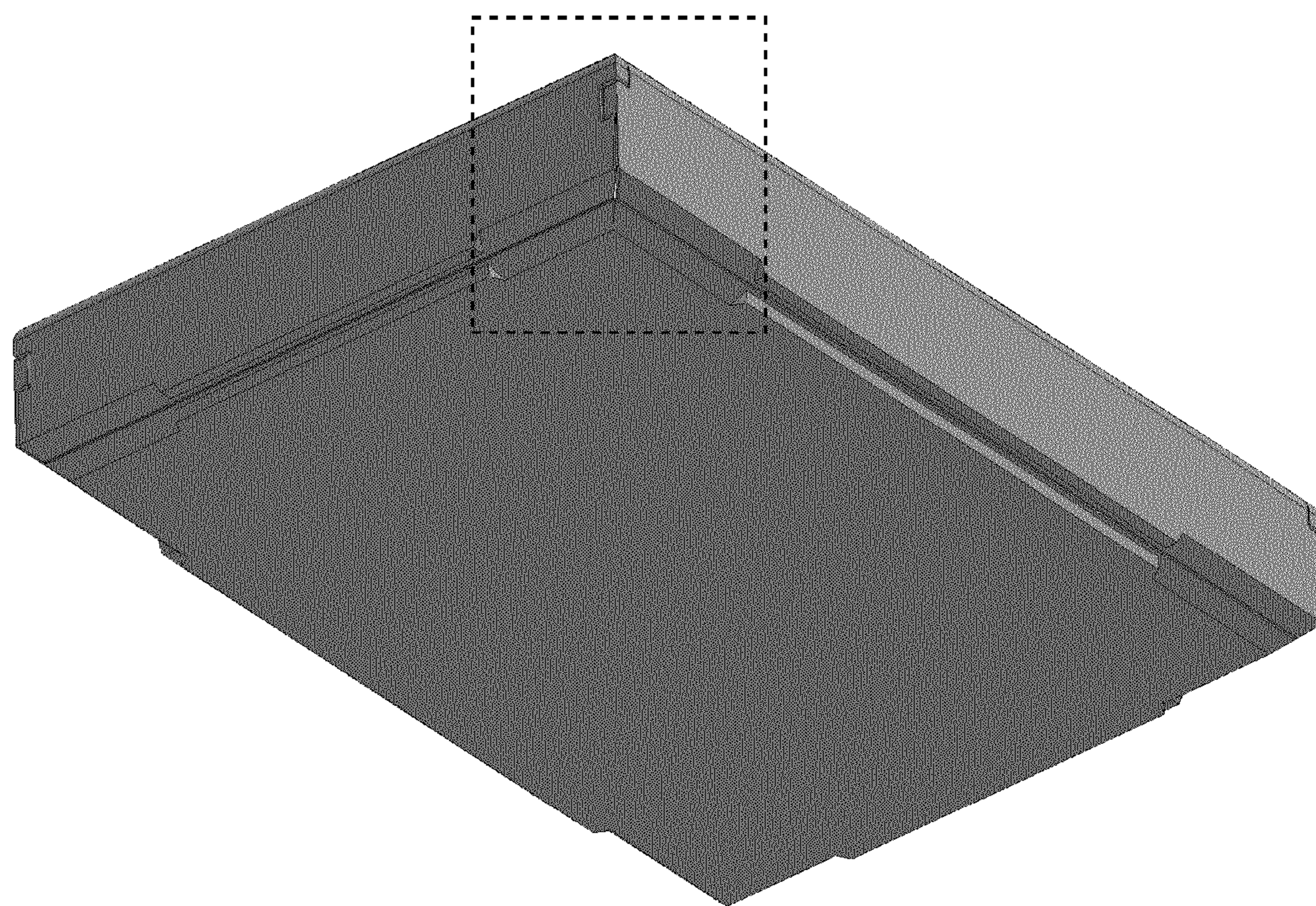


Fig. 61

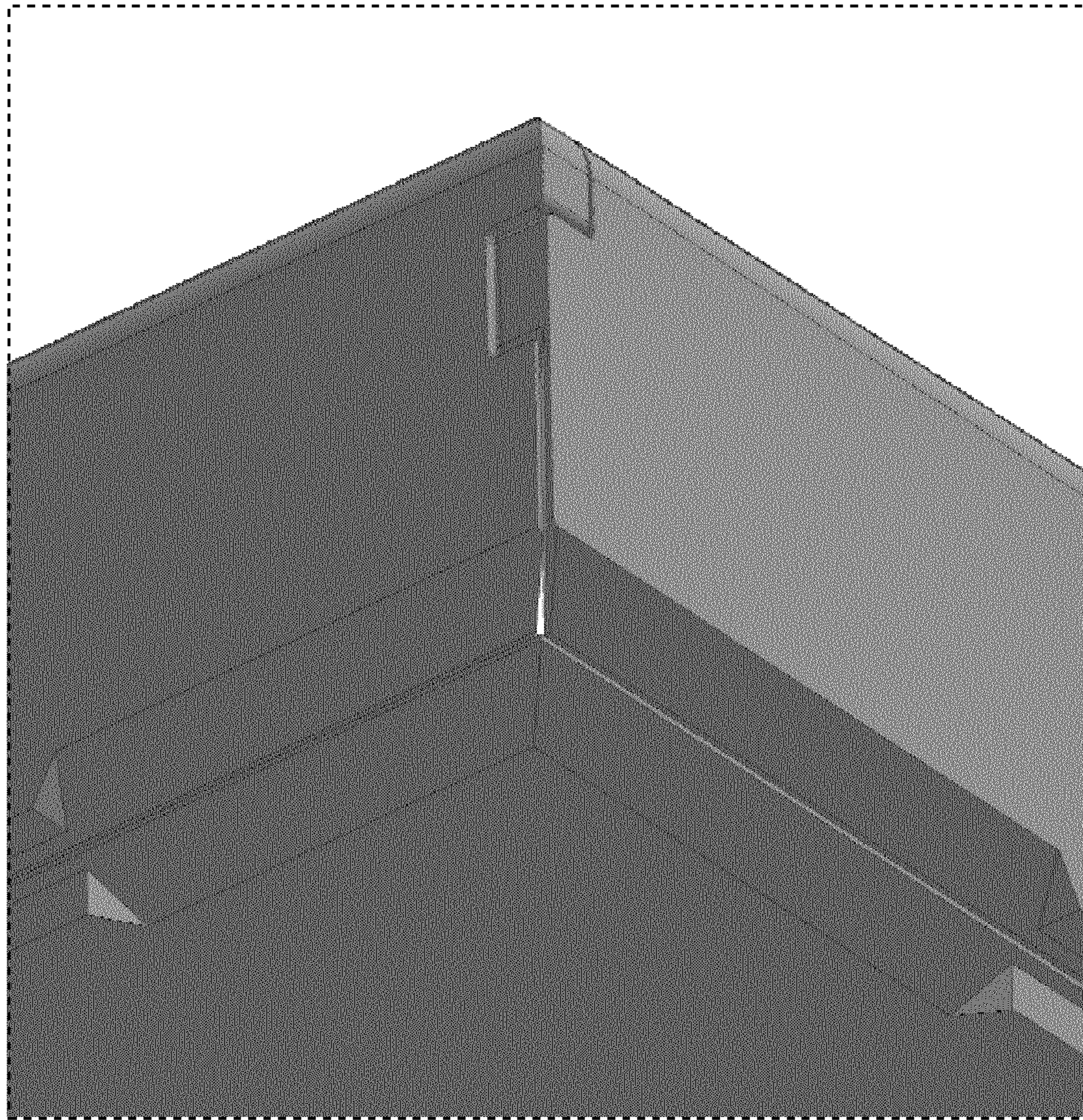


Fig. 62

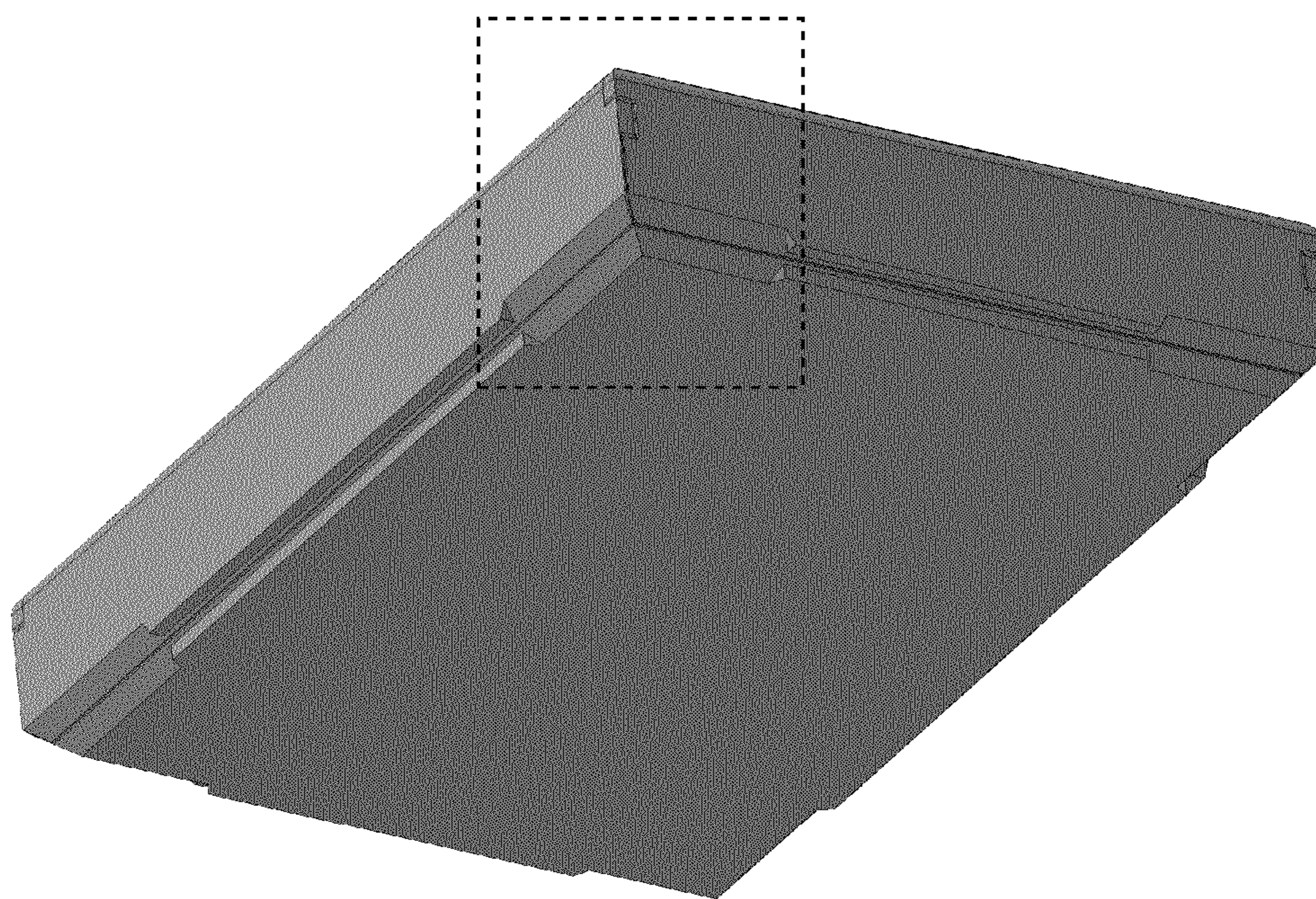


Fig. 63

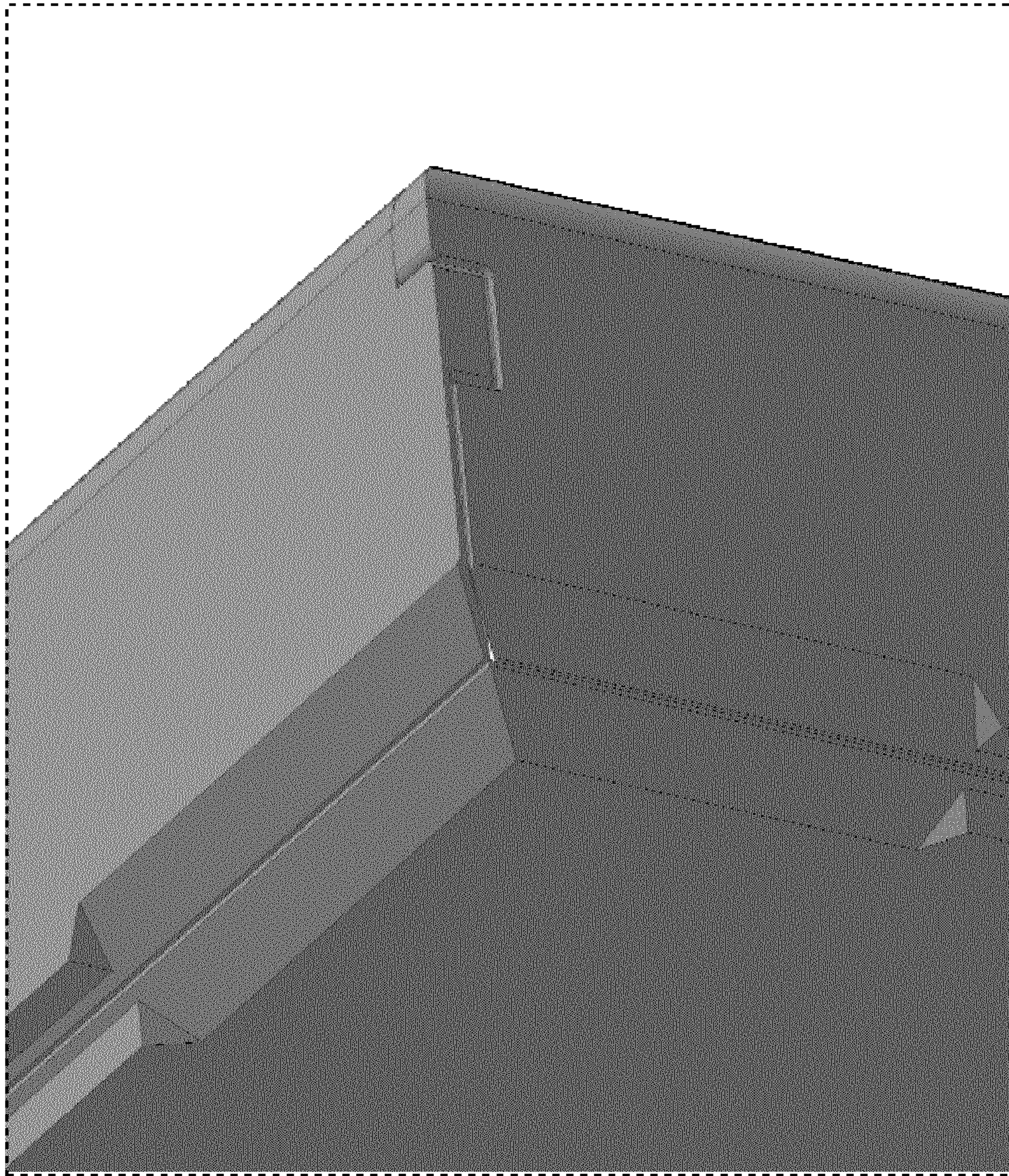


Fig. 64

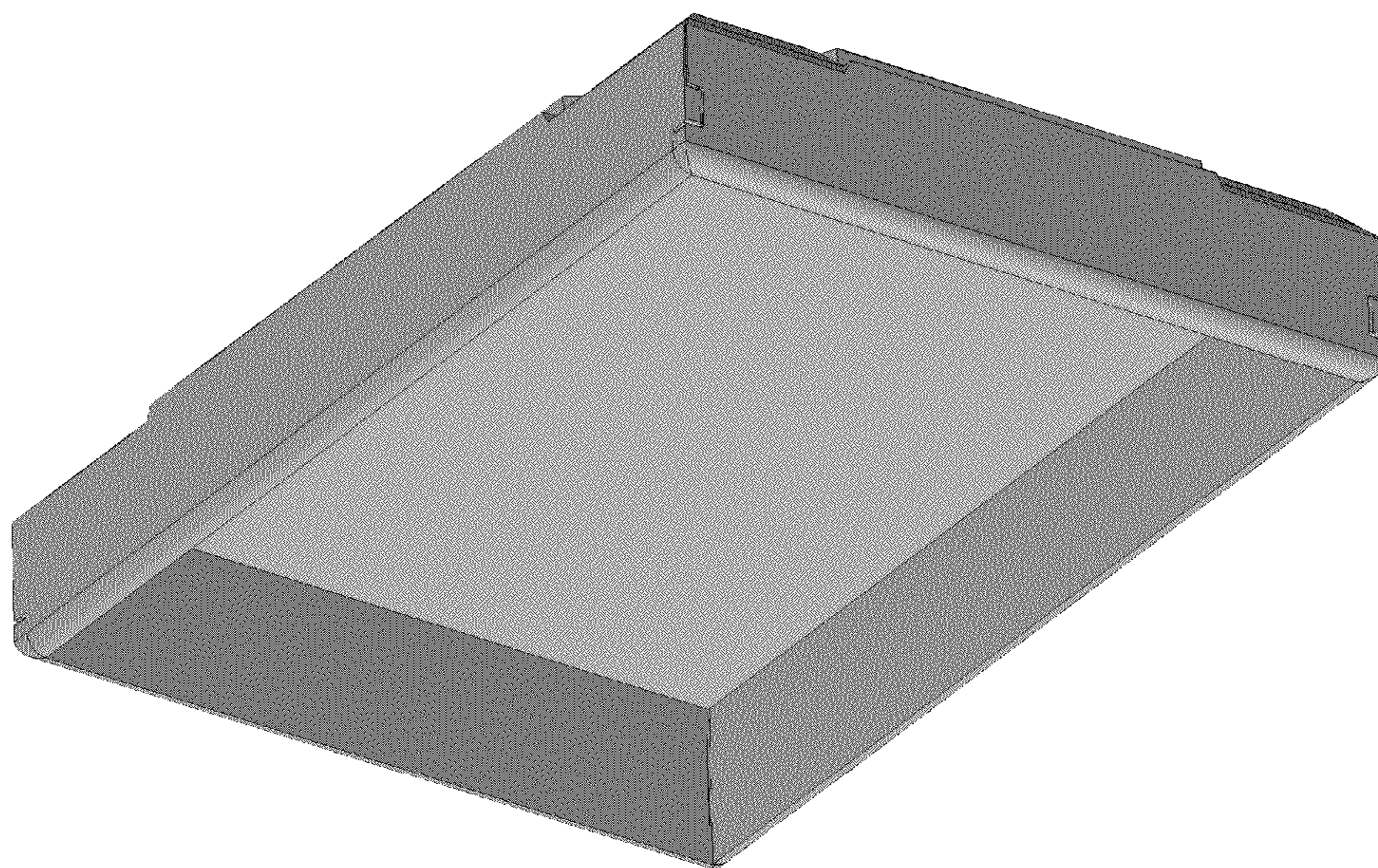


Fig. 65

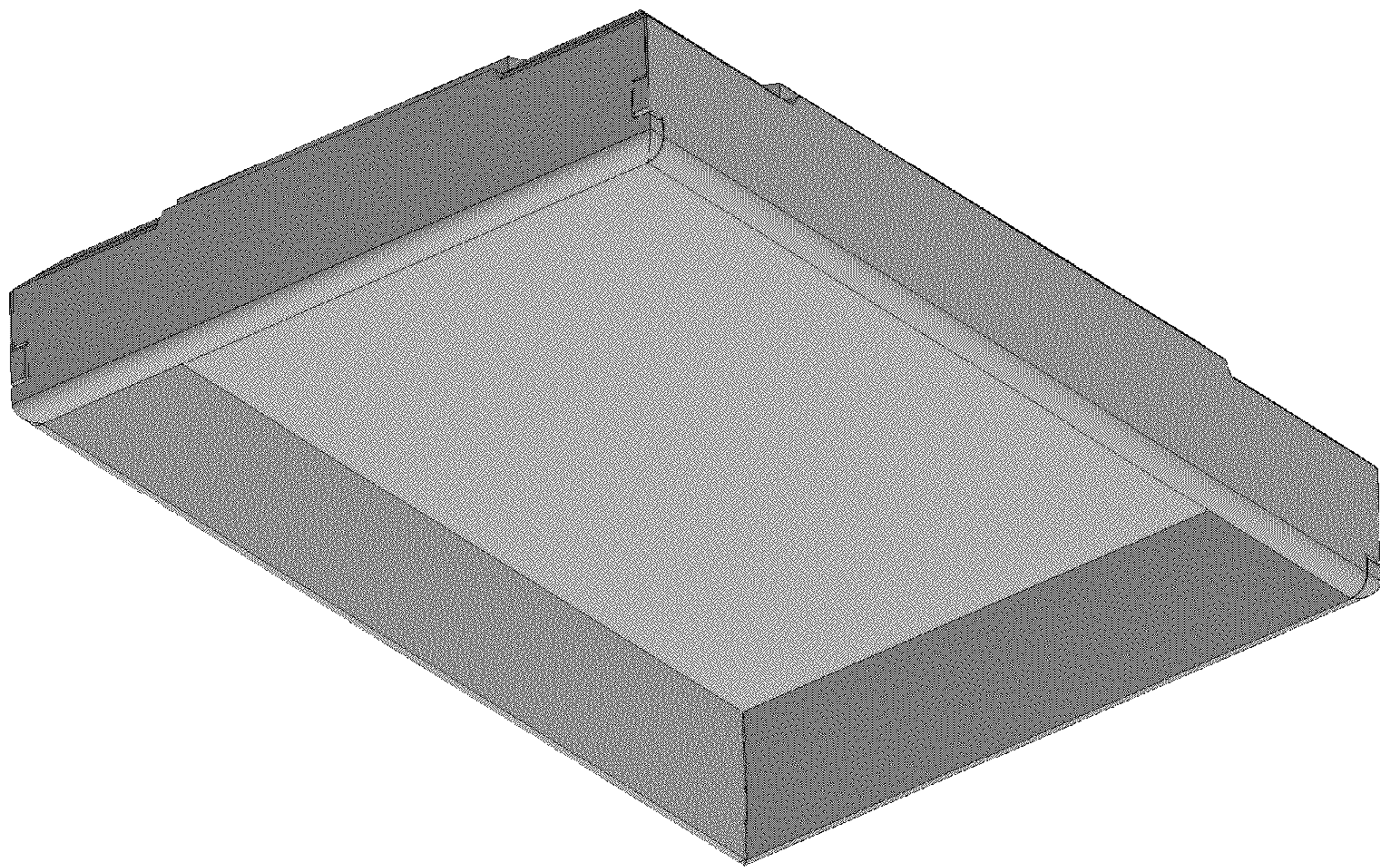


Fig. 66