



US00D738155S

(12) **United States Design Patent**
Chung

(10) **Patent No.:** **US D738,155 S**

(45) **Date of Patent:** **** Sep. 8, 2015**

(54) **BARBECUE GRILL**

(71) Applicant: **Kiosky Chung**, Taichung (TW)

(72) Inventor: **Kiosky Chung**, Taichung (TW)

(**) Term: **14 Years**

(21) Appl. No.: **29/475,871**

(22) Filed: **Dec. 7, 2013**

(51) **LOC (10) Cl.** **07-02**

(52) **U.S. Cl.**
USPC **D7/334**

(58) **Field of Classification Search**
USPC D7/323, 332-337, 402-409
CPC A47J 37/00; A47J 37/07; A47J 37/079;
A47J 37/0704; A47J 2037/0777; A23B 4/052
See application file for complete search history.

(56) **References Cited**

U.S. PATENT DOCUMENTS

D196,553 S *	10/1963	Mayer	D7/334
4,170,173 A *	10/1979	Bradford	99/341
4,665,891 A *	5/1987	Nemec et al.	126/25 R
D512,263 S *	12/2005	Chung	D7/334

D552,406 S *	10/2007	Chung	D7/334
D572,072 S *	7/2008	Chung	D7/334
7,469,630 B1 *	12/2008	Ray	99/482
D618,037 S *	6/2010	Chung	D7/334
D636,217 S *	4/2011	Slater et al.	D7/334
D657,181 S *	4/2012	Chung	D7/334
D660,646 S *	5/2012	Simms, II	D7/402
D697,357 S *	1/2014	Goecke et al.	D7/334
D712,191 S *	9/2014	Chung	D7/334

* cited by examiner

Primary Examiner — Ricky Pham

(57) **CLAIM**

I claim the ornamental design for a barbecue grill, as shown and described.

DESCRIPTION

FIG. 1 is a perspective view of a barbecue grill, showing my new design;
FIG. 2 is a front elevational view thereof;
FIG. 3 is a rear elevational view thereof;
FIG. 4 is a left side elevational view thereof;
FIG. 5 is a right side elevational view thereof;
FIG. 6 is a top plan view thereof; and,
FIG. 7 is a bottom plan view thereof.

1 Claim, 7 Drawing Sheets



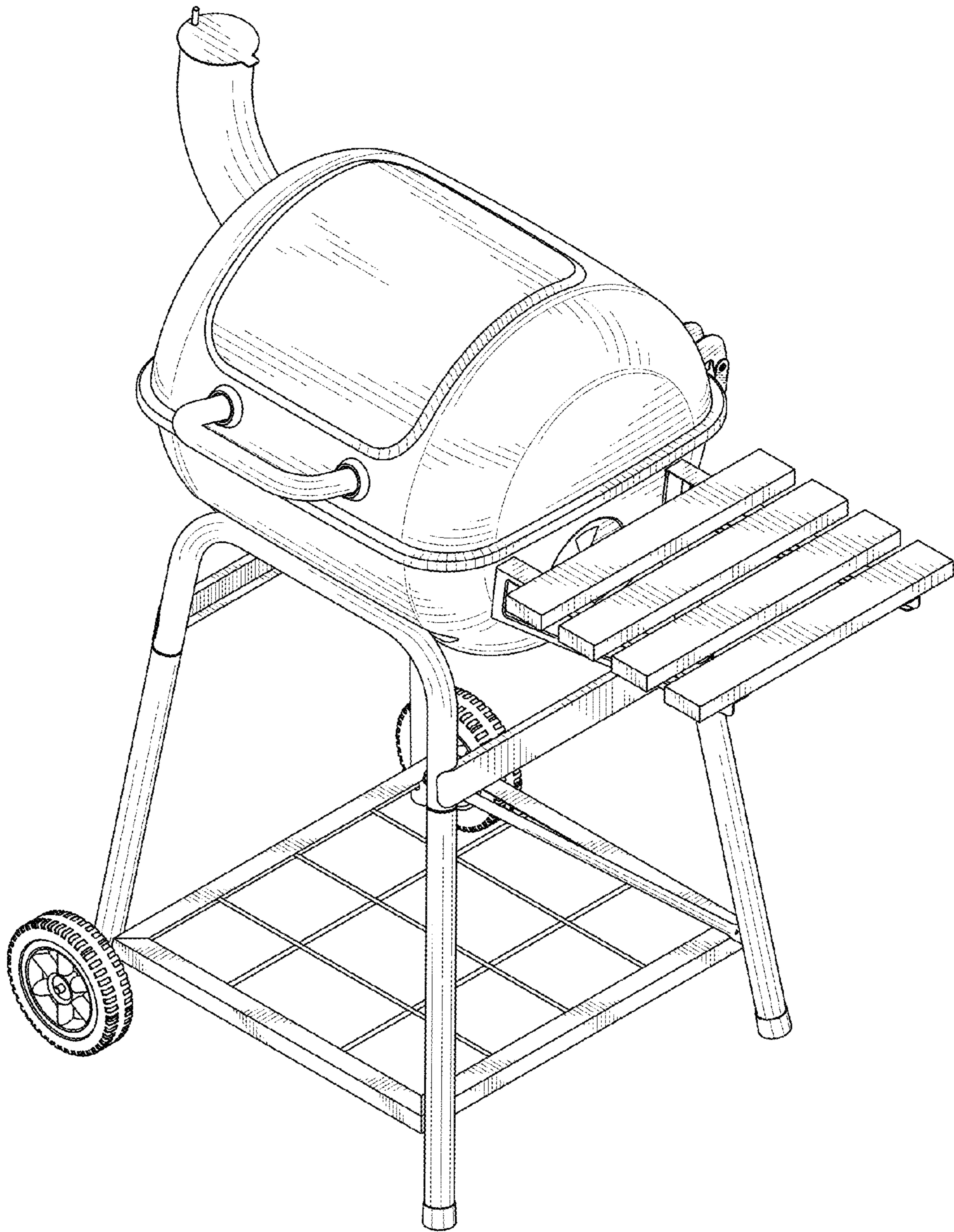


FIG.1

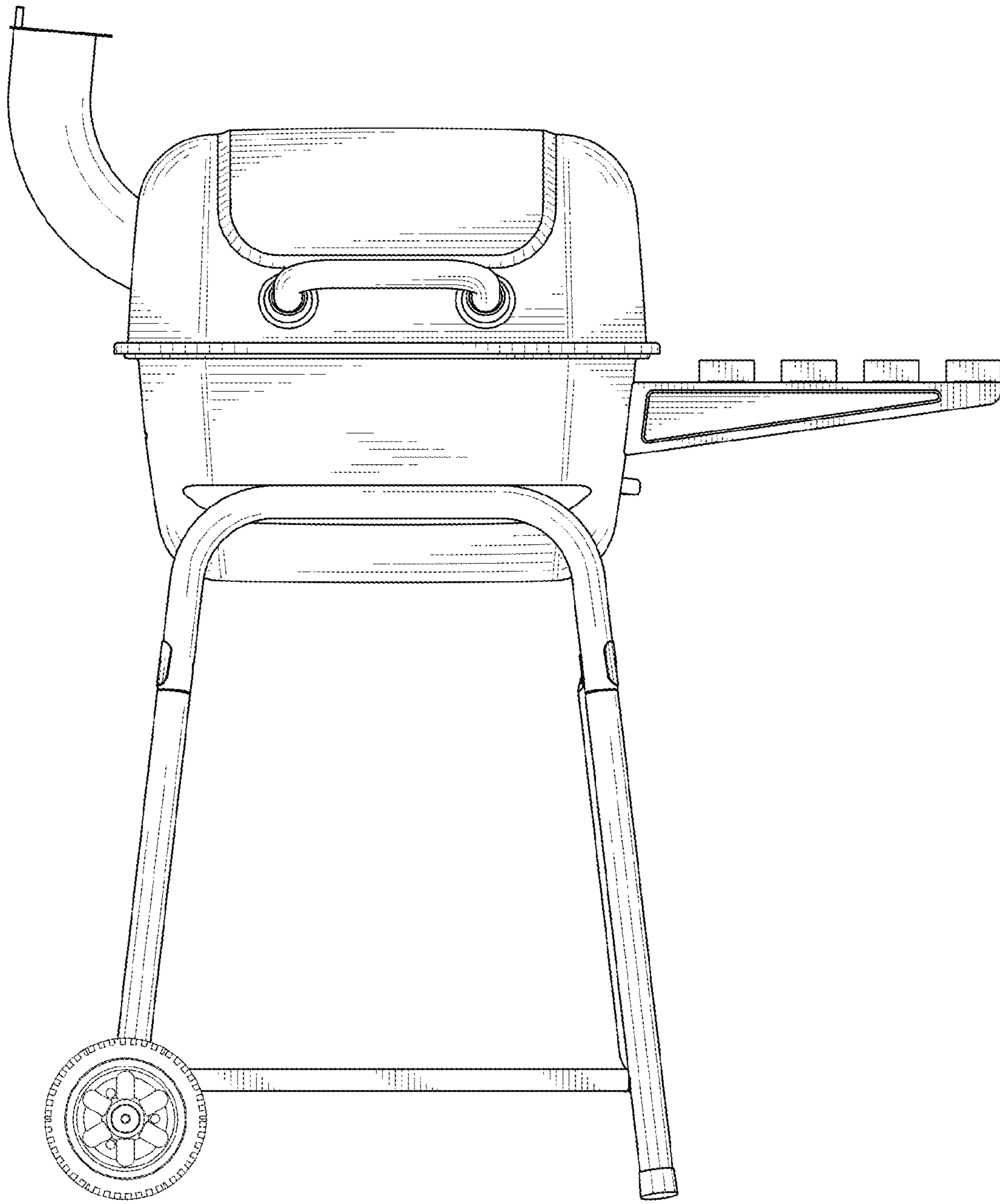


FIG.2

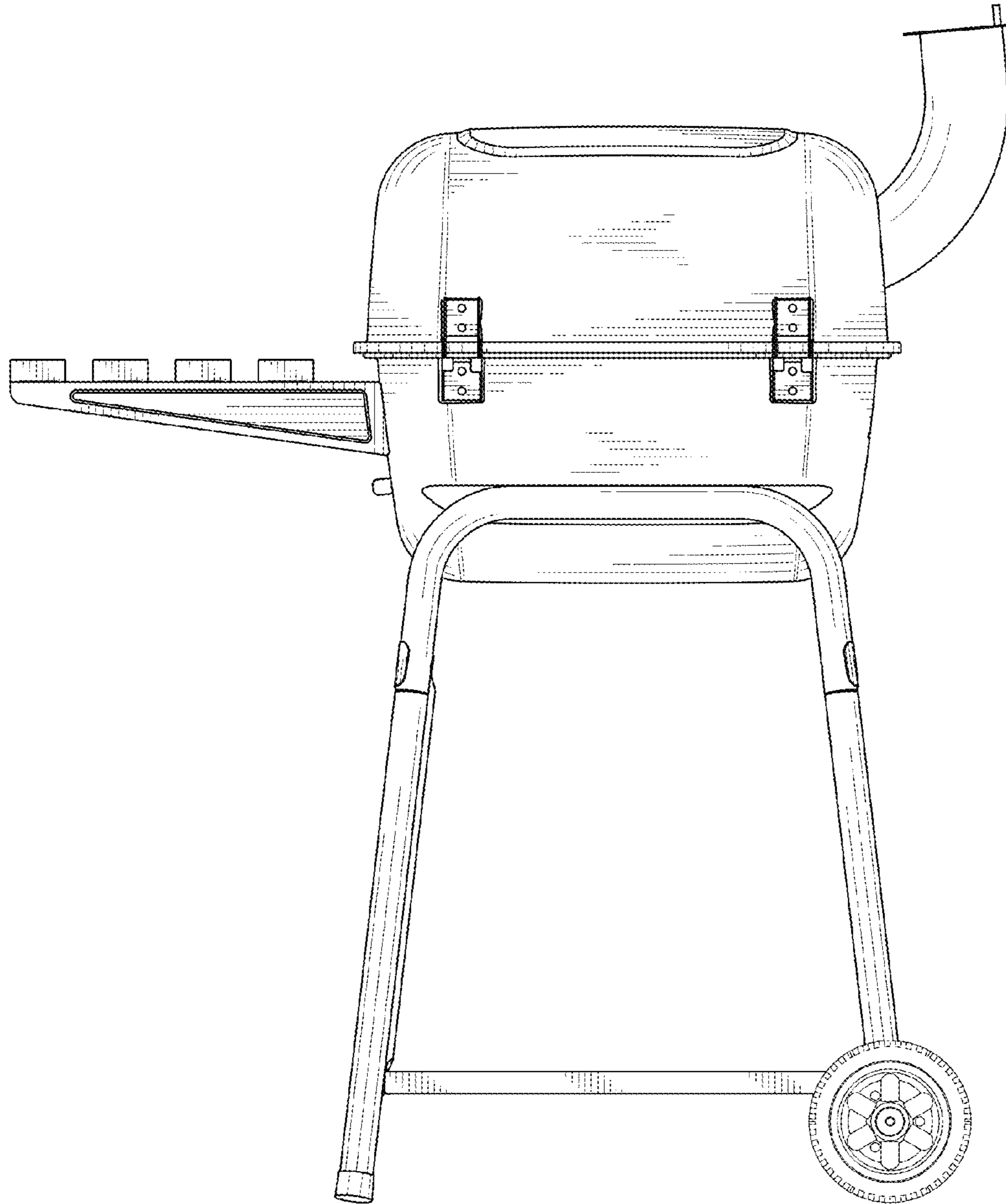


FIG.3

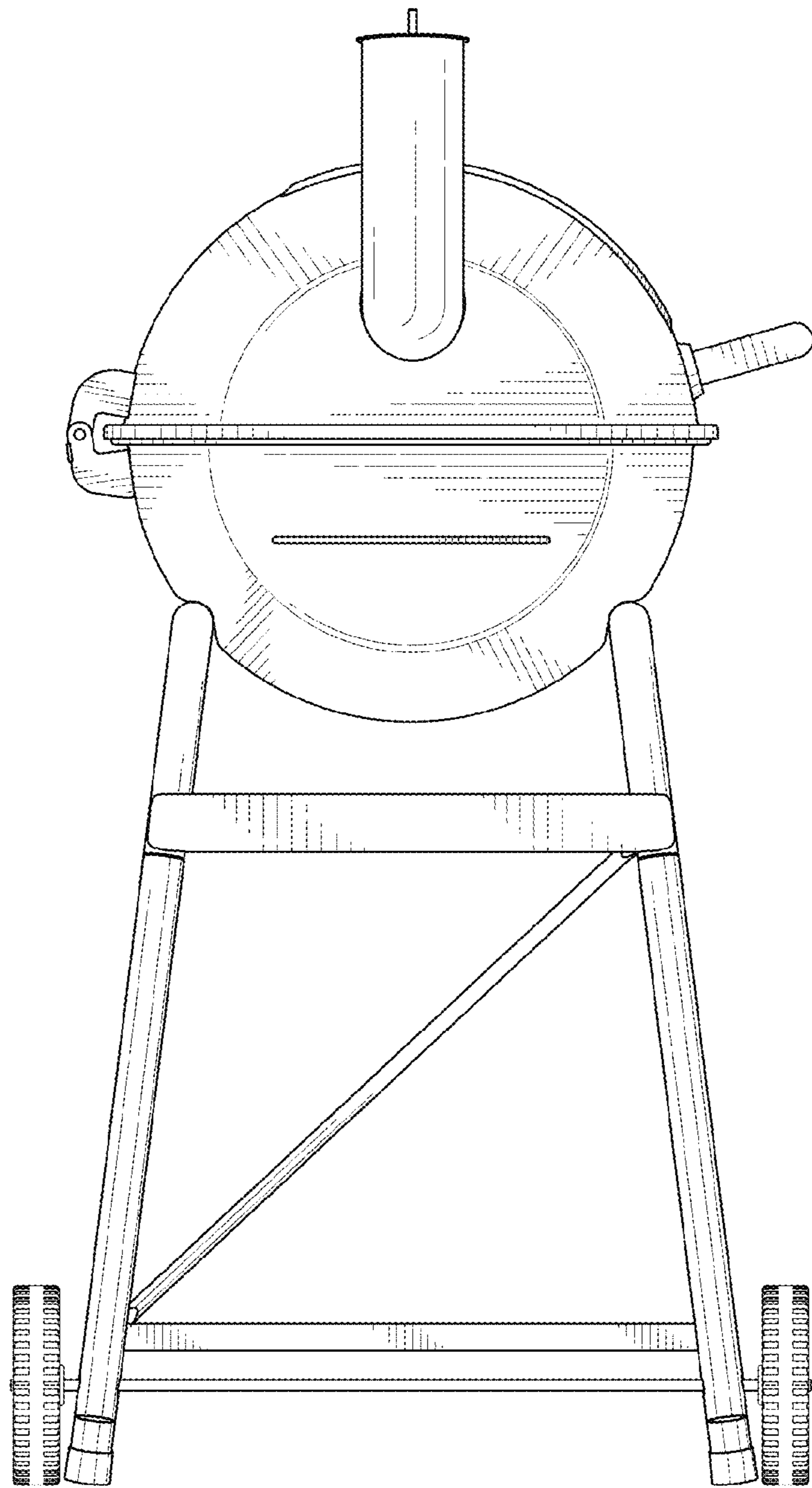


FIG.4

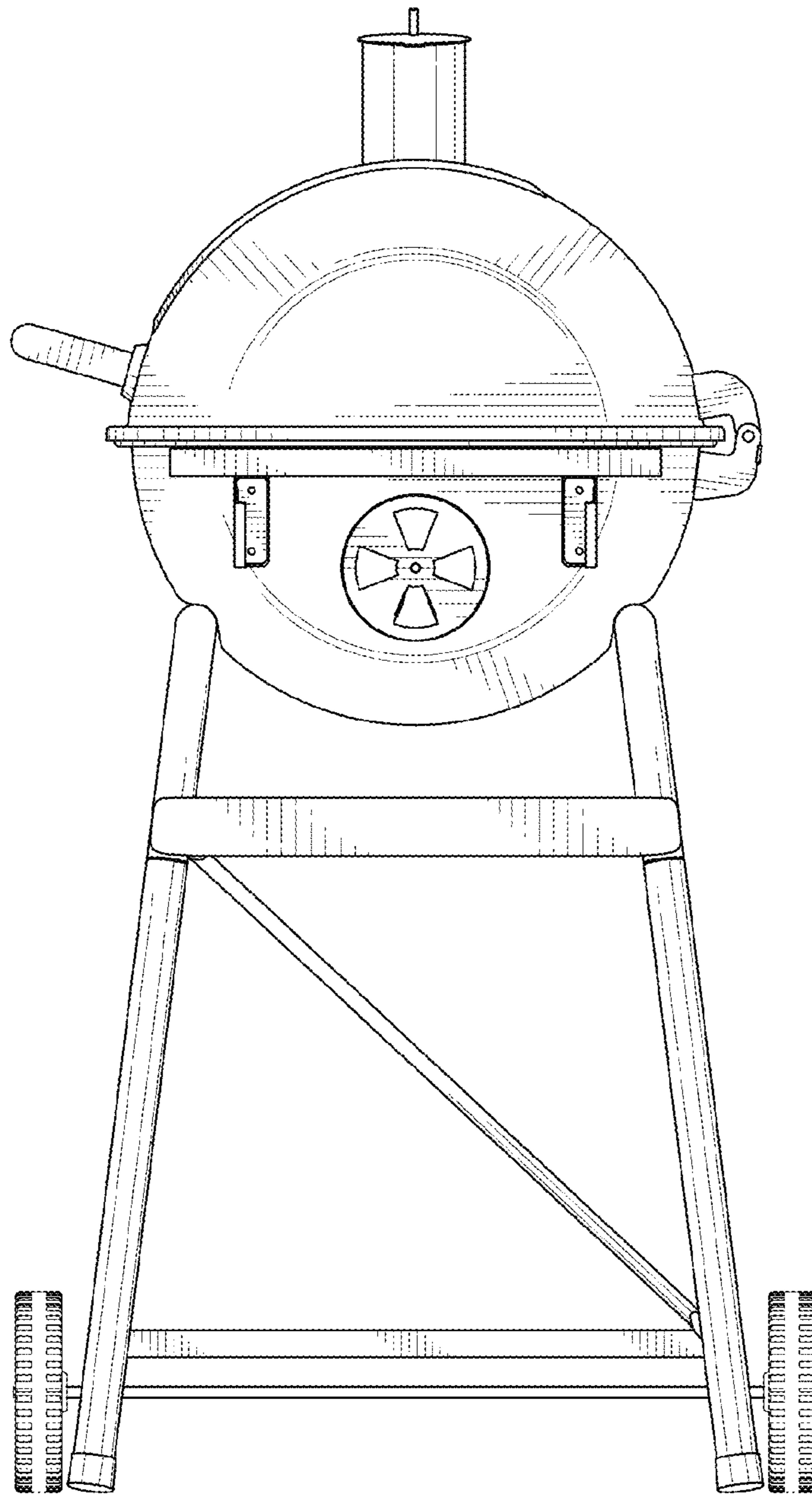


FIG.5

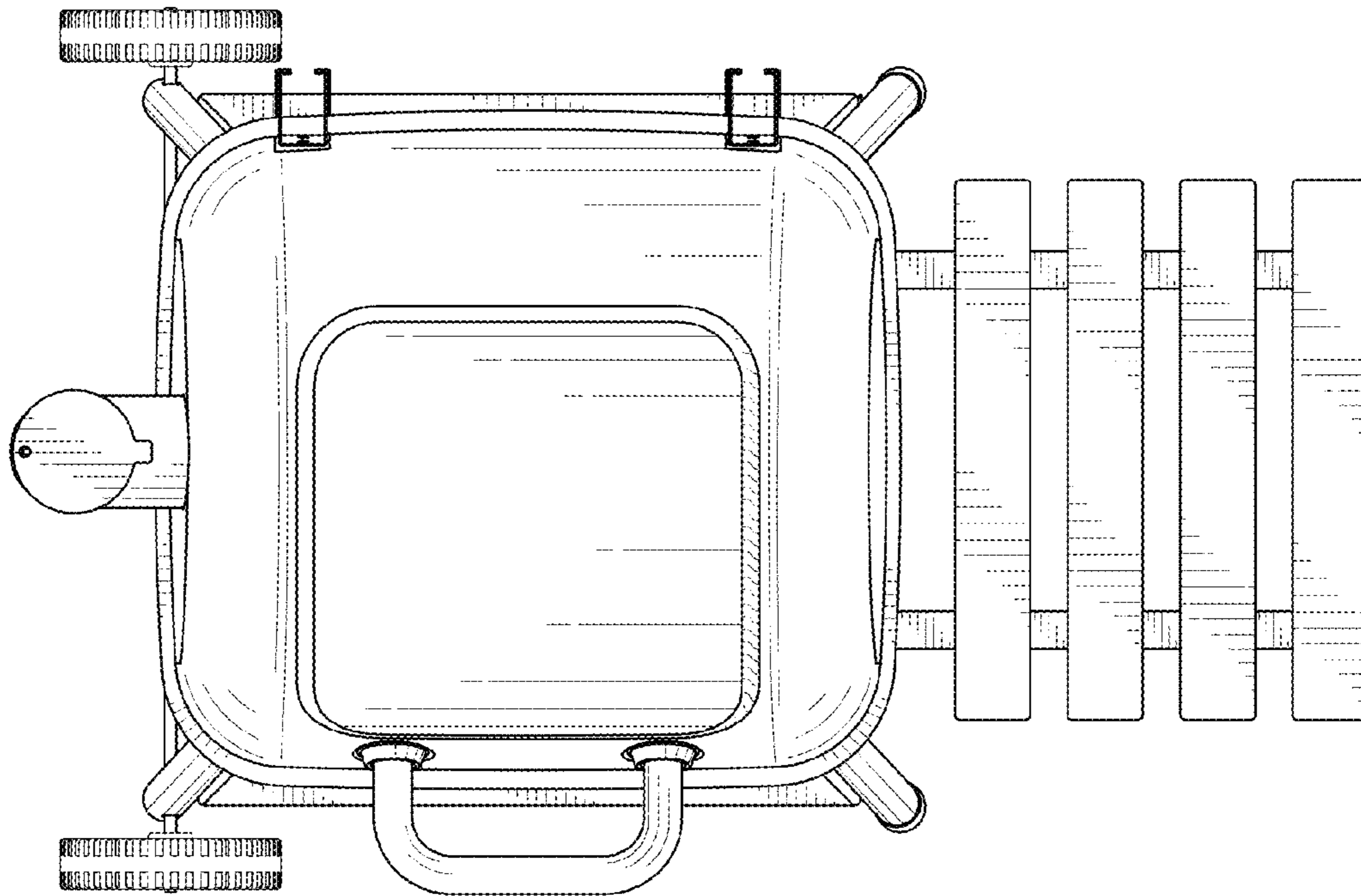


FIG.6

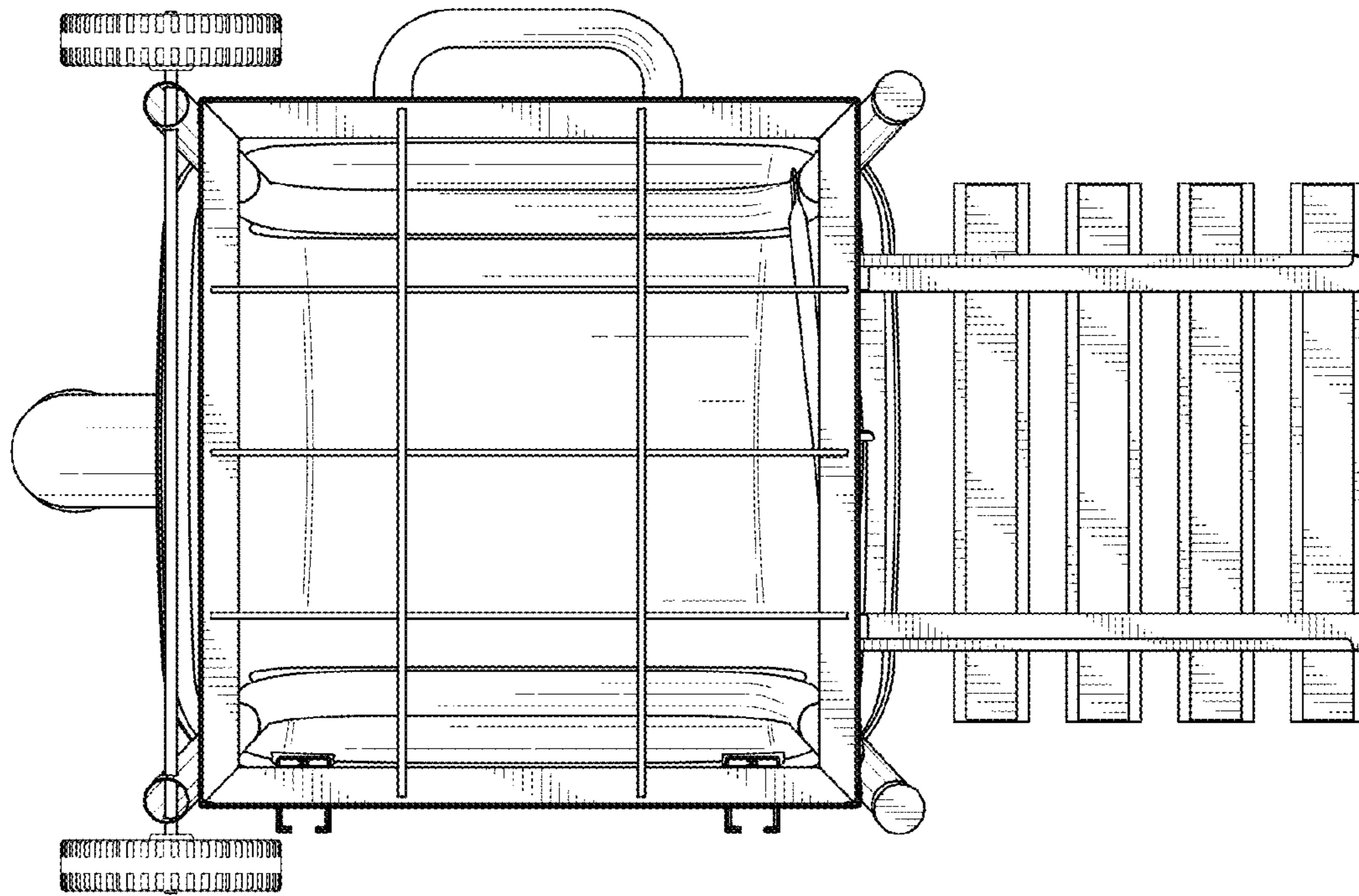


FIG.7