



US00D738149S

(12) **United States Design Patent**  
**Ye**

(10) **Patent No.:** **US D738,149 S**  
(45) **Date of Patent:** **\*\* Sep. 8, 2015**

(54) **BEVERAGE MAKER**

(71) Applicant: **Hamilton Beach Brands, Inc.**, Glen Allen, VA (US)

(72) Inventor: **Guoyao Ye**, Glen Allen, VA (US)

(73) Assignee: **Hamilton Beach Brands, Inc.**, Glen Allen, VA (US)

(\*\*) Term: **14 Years**

(21) Appl. No.: **29/484,938**

(22) Filed: **Mar. 14, 2014**

(51) **LOC (10) Cl.** ..... **07-01**

(52) **U.S. Cl.**  
USPC ..... **D7/306; D7/311**

(58) **Field of Classification Search**  
USPC ..... D7/306-311, 305, 300; 99/279, 284,  
99/290, 280, 299, 307, 285, 305  
CPC ..... A47J 31/44  
See application file for complete search history.

(56) **References Cited**

**U.S. PATENT DOCUMENTS**

5,168,794	A	12/1992	Glucksman	
5,207,148	A	5/1993	Anderson et al.	
6,606,938	B2	8/2003	Taylor	
6,708,600	B2	3/2004	Winkler et al.	
D511,066	S *	11/2005	Garner	D7/309
7,047,870	B2	5/2006	Gantt et al.	
7,059,239	B2	6/2006	Balkau	
D559,611	S *	1/2008	Cheong	D7/306
D571,598	S *	6/2008	Moore	D7/306
D582,714	S *	12/2008	Hensel	D7/309

D594,688	S *	6/2009	Hammad et al.	D7/306
7,677,157	B2	3/2010	Steiner et al.	
D622,536	S *	8/2010	Ågren et al.	D7/309
D649,826	S *	12/2011	Garman	D7/306
D673,804	S *	1/2013	De' Longhi	D7/309
D687,662	S *	8/2013	Beghelli	D7/306
D687,663	S *	8/2013	Beghelli	D7/306
D687,664	S *	8/2013	Beghelli	D7/306
2008/0115674	A1	5/2008	Huang et al.	
2013/0004629	A1	1/2013	Clark et al.	
2013/0095212	A1	4/2013	Beer	
2013/0236618	A1	9/2013	Tinkler et al.	
2014/0030404	A1	1/2014	Sullivan et al.	

\* cited by examiner

*Primary Examiner* — Marianne Pandozzi

(74) *Attorney, Agent, or Firm* — Alexander D. Raring

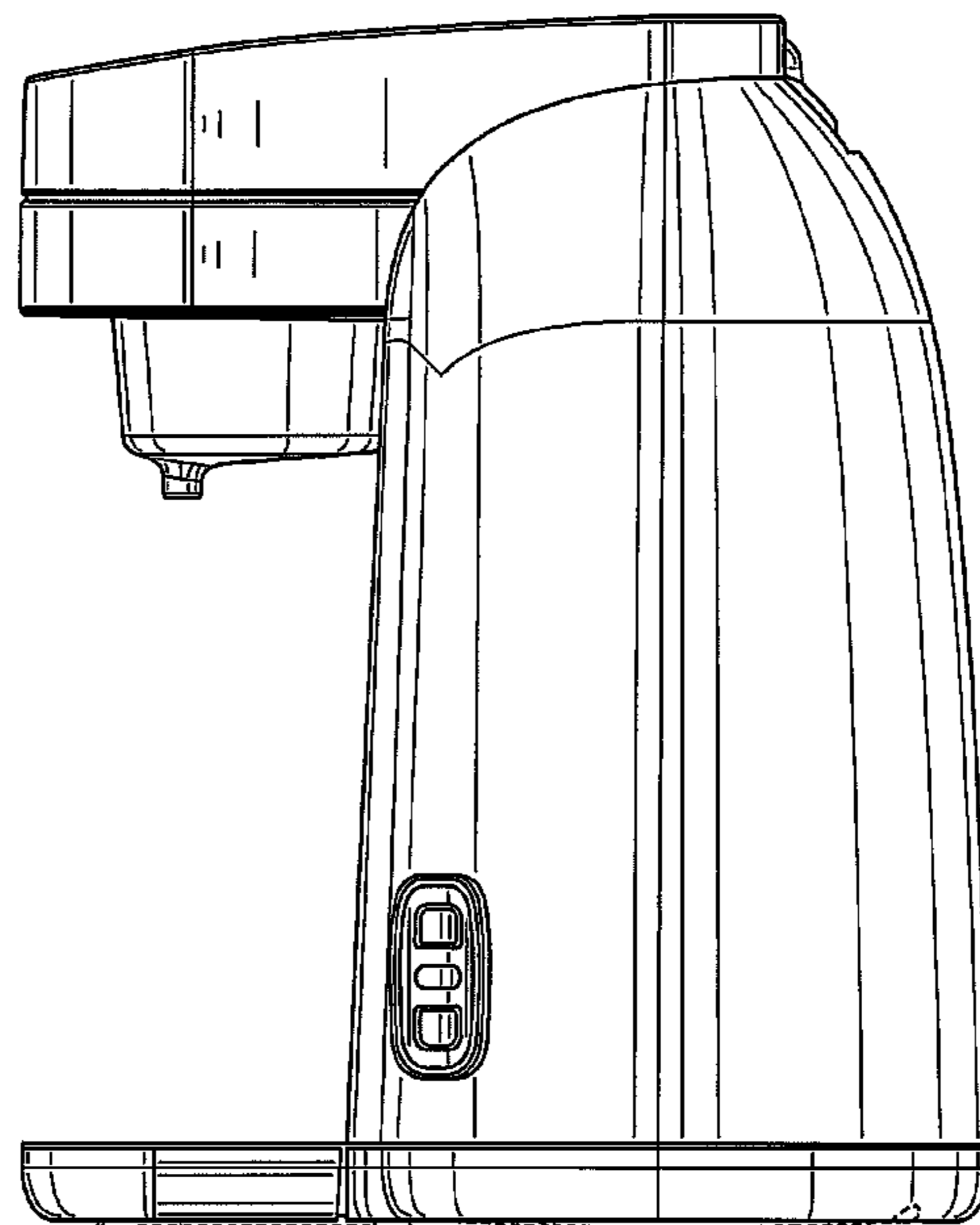
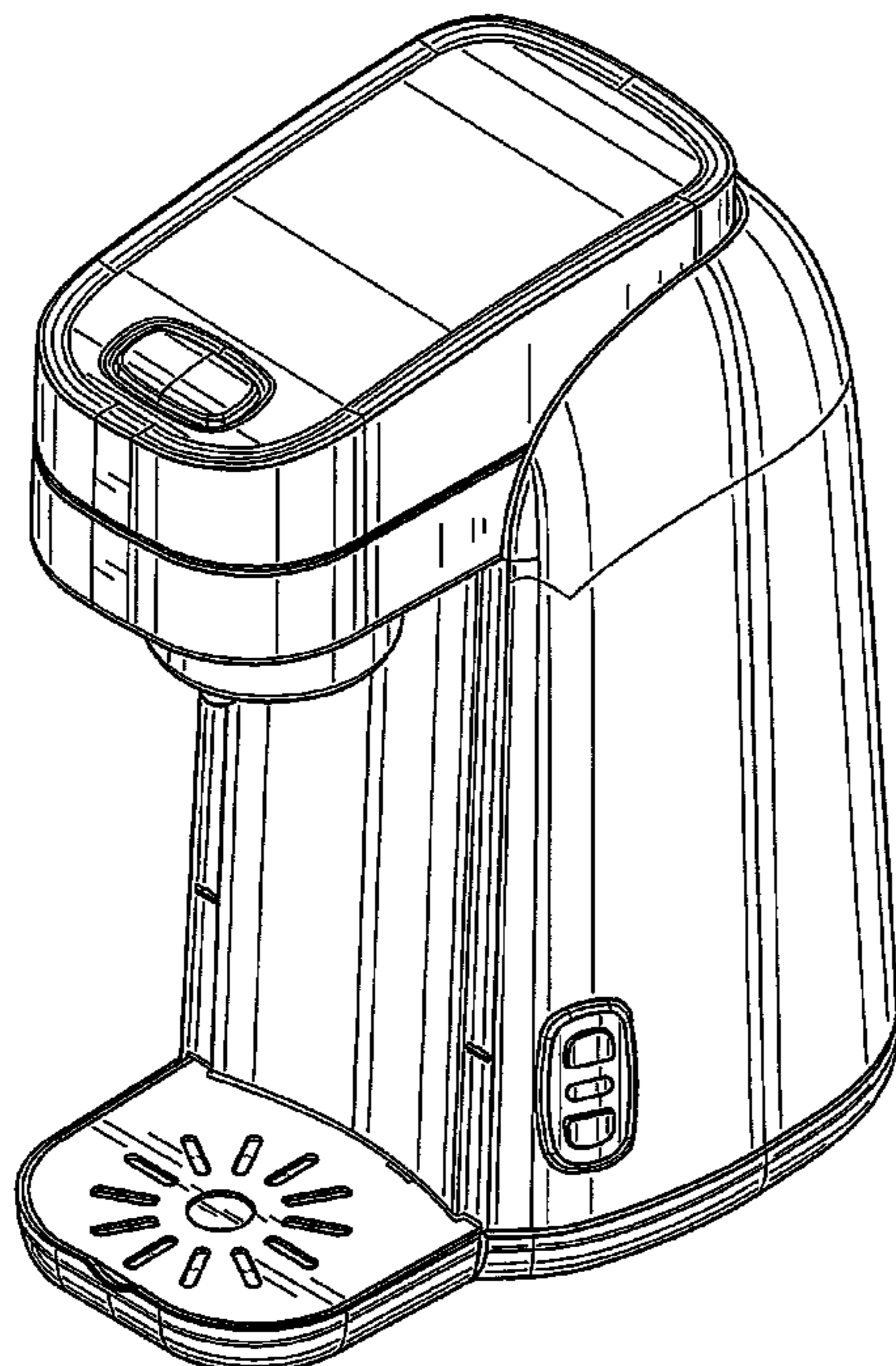
(57) **CLAIM**

The ornamental design for a beverage maker, as shown and described.

**DESCRIPTION**

FIG. 1 is a perspective view as seen from the top, front and right side of a beverage maker showing the new design; FIG. 2 is a front view thereof; FIG. 3 is a right side view thereof; FIG. 4 is a rear view thereof; FIG. 5 is a top view thereof; and, FIG. 6 is a left side view thereof. The bottom view is omitted as it devoid of claimed ornamentation. The broken lines in the drawings are included for illustrative purposes only and form no part of the claimed design.

**1 Claim, 6 Drawing Sheets**



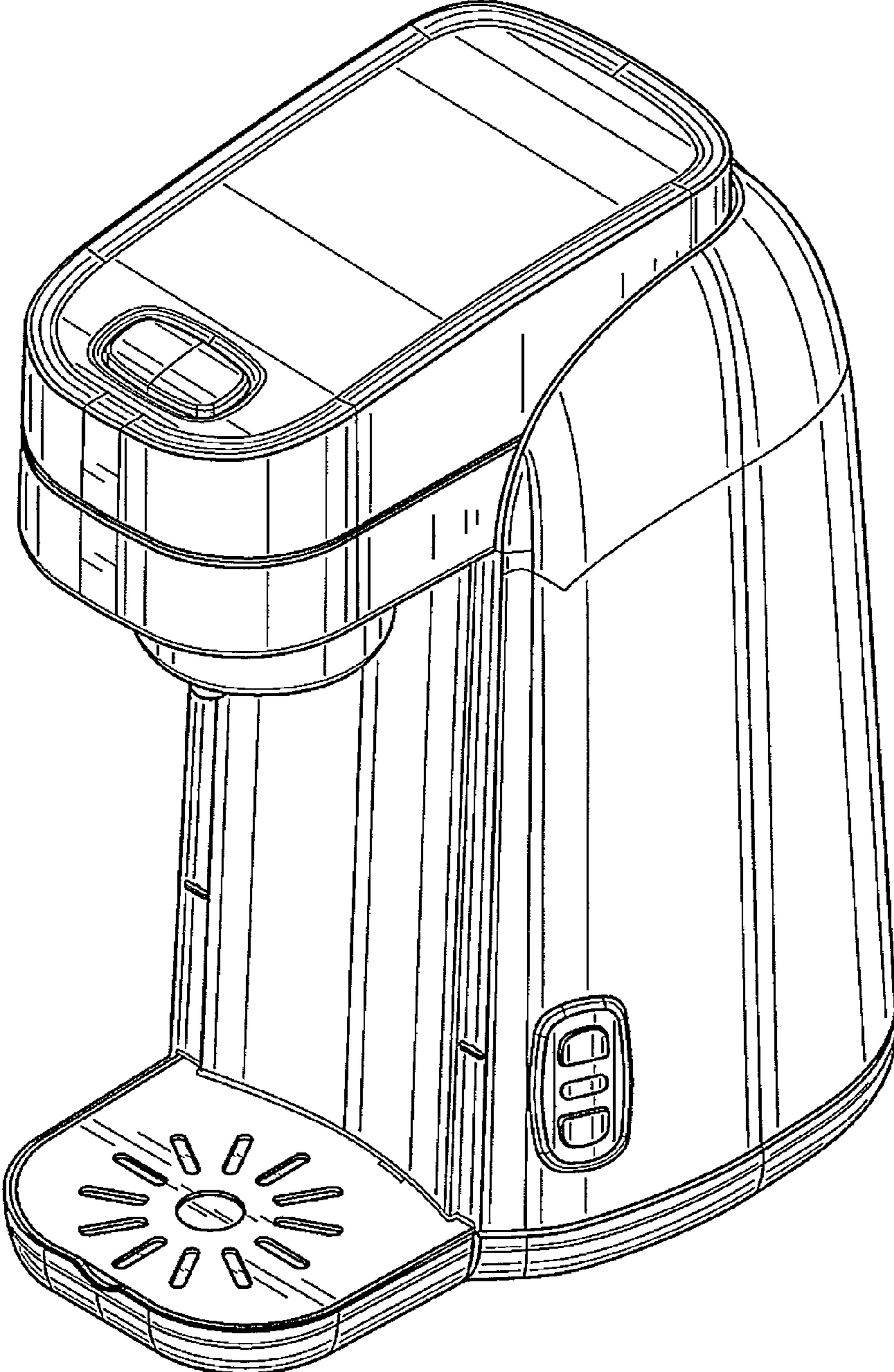


FIG. 1

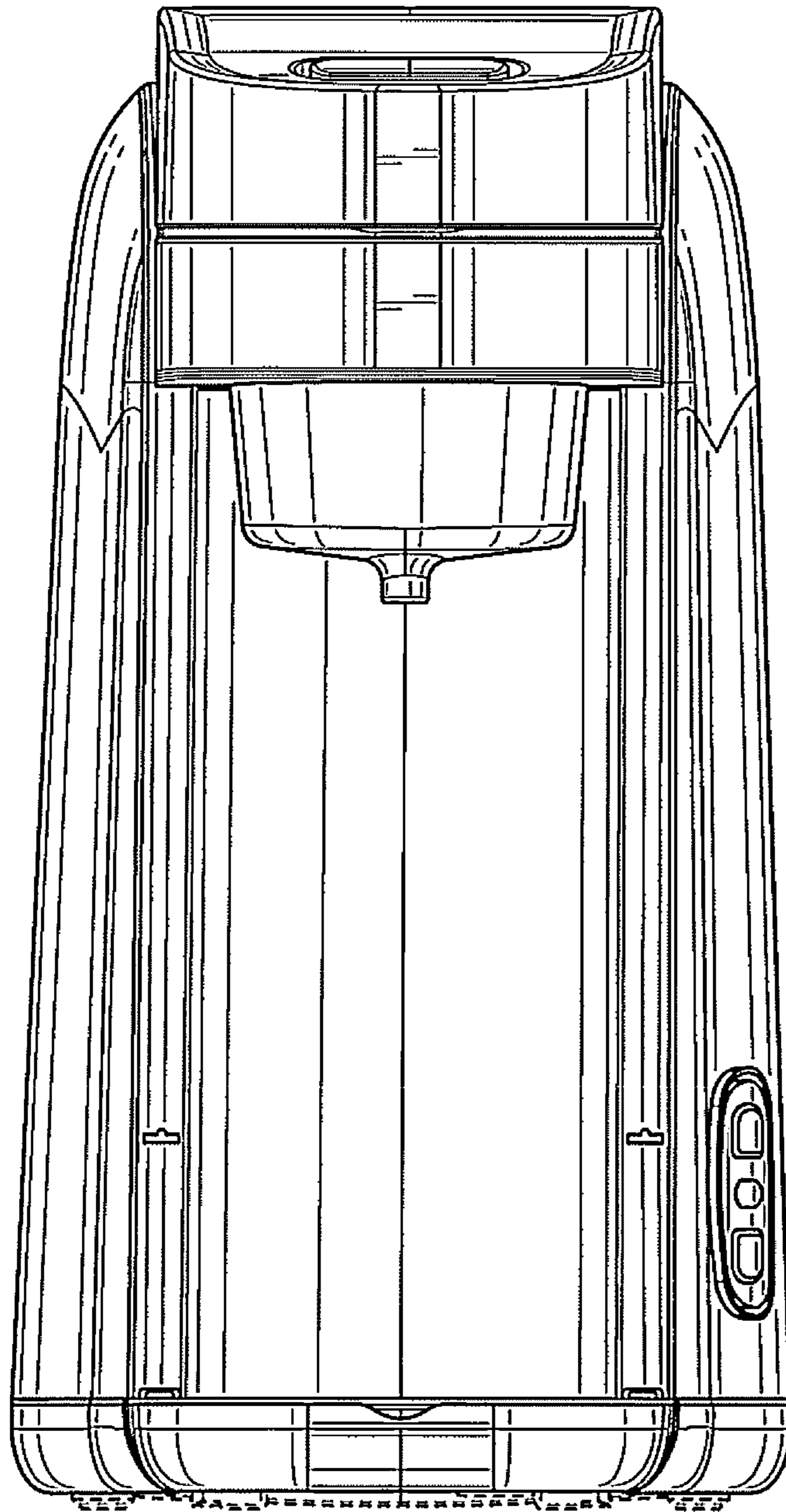


FIG. 2

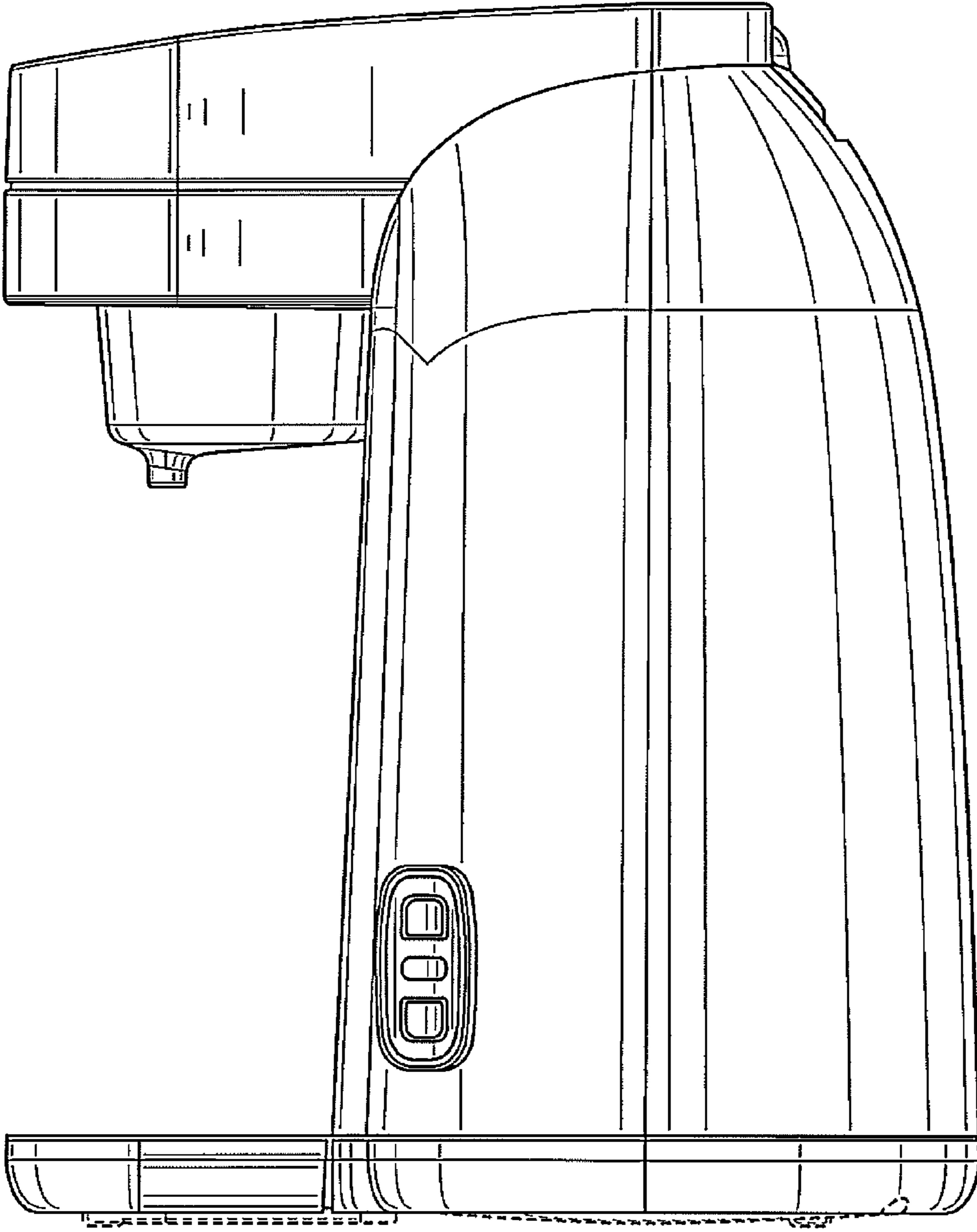


FIG. 3



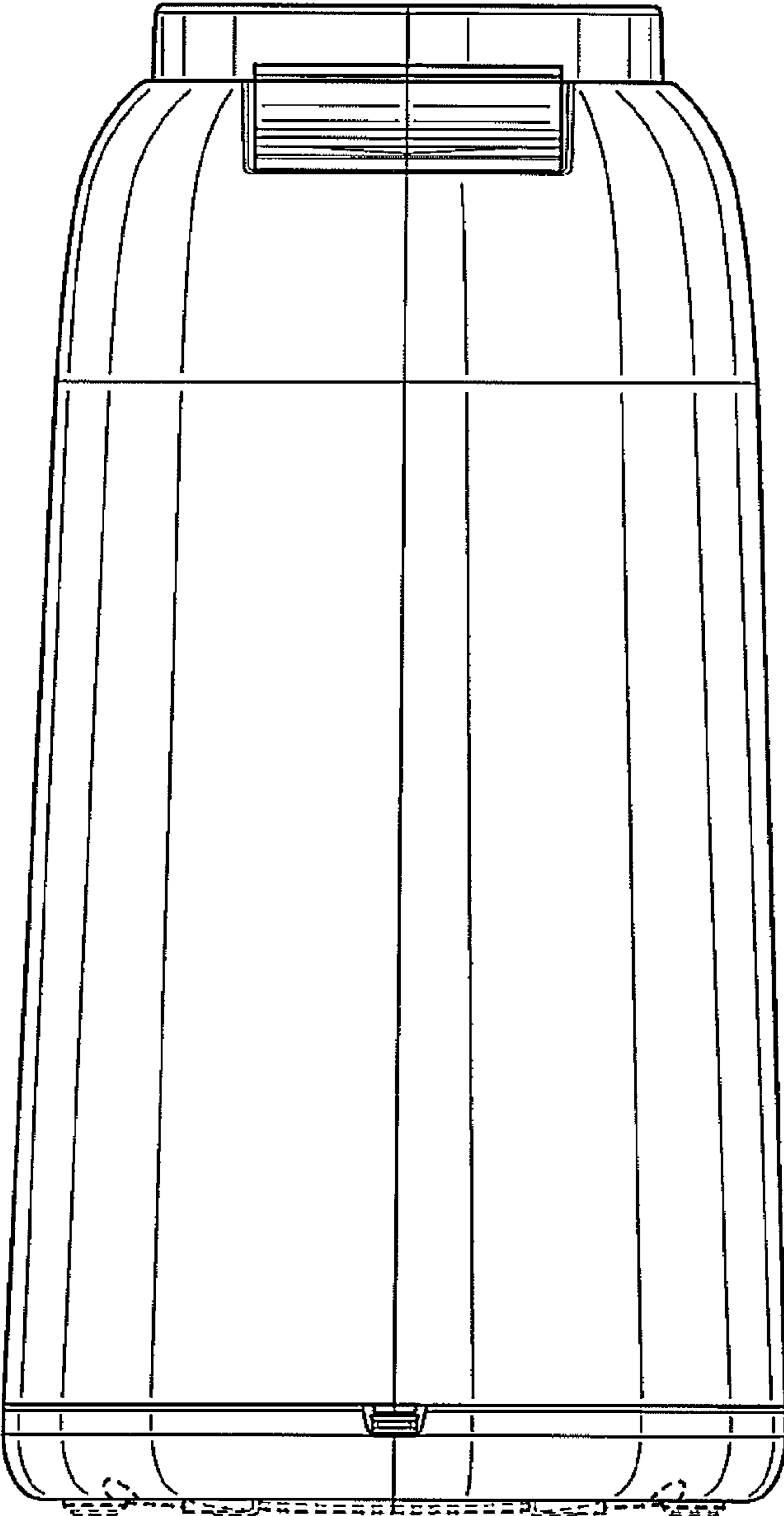


FIG. 4

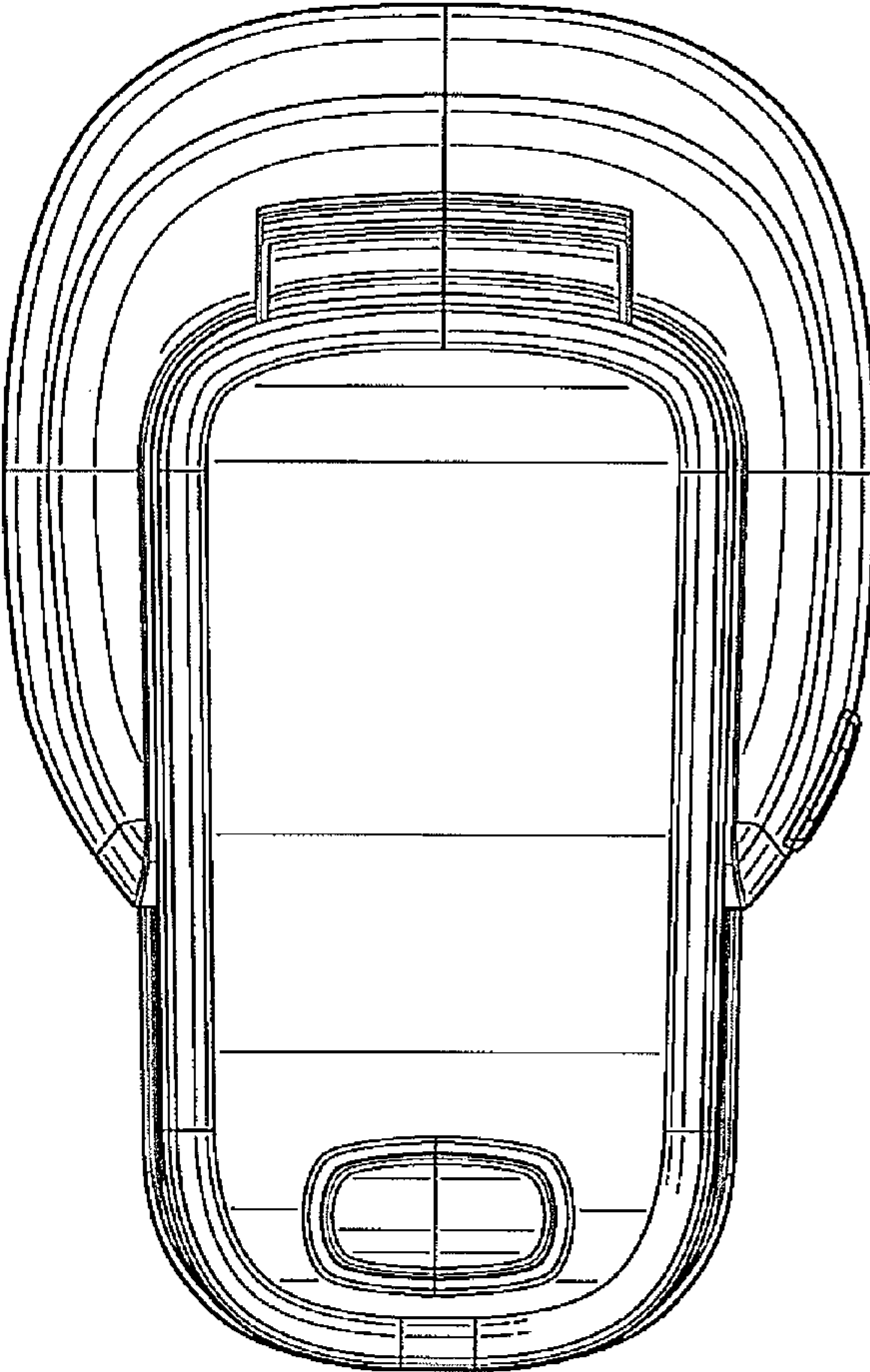


FIG. 5

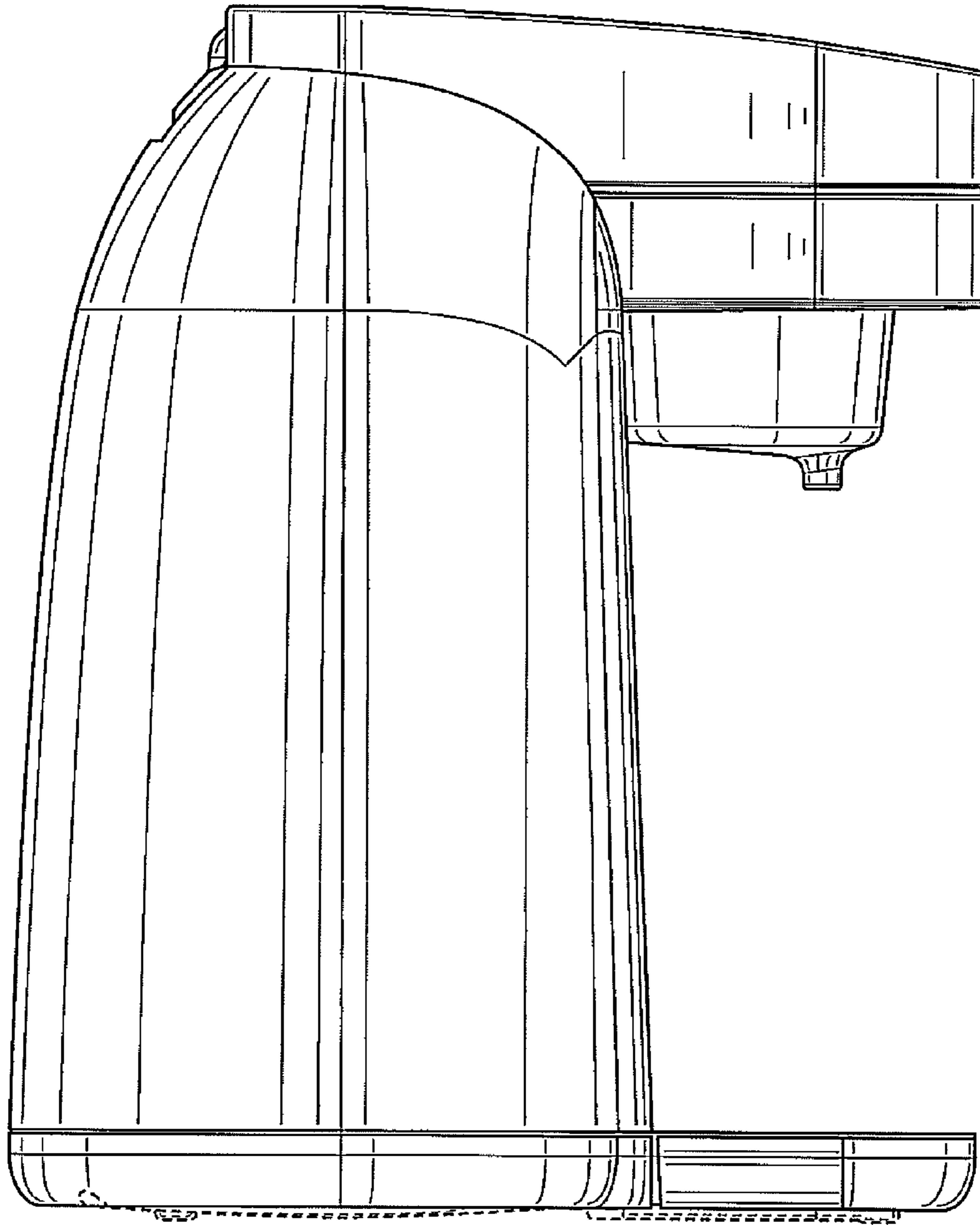


FIG. 6