



US00D738144S

(12) **United States Design Patent**
Rogers

(10) **Patent No.:** **US D738,144 S**
(45) **Date of Patent:** **** Sep. 8, 2015**

- (54) **ADJUSTABLE SUPPORT STAND**
- (71) Applicant: **Duke V Rogers**, Meridian, ID (US)
- (72) Inventor: **Duke V Rogers**, Meridian, ID (US)
- (**) Term: **14 Years**
- (21) Appl. No.: **29/518,444**
- (22) Filed: **Feb. 24, 2015**

2,244,310 A	6/1941	Murphy	
2,291,203 A	7/1942	Bent	
2,300,898 A	11/1942	Allen	
2,401,999 A	6/1946	Wolfe	
D149,816 S	6/1948	Ivelow	
2,598,295 A *	5/1952	Pelton	5/505.1
2,602,171 A	7/1952	Good	
2,611,139 A	9/1952	Ecklund	
2,642,589 A	6/1953	Cobb	
2,668,963 A	2/1954	Drake	
3,317,932 A	5/1967	Gibbons	
D216,438 S *	1/1970	Gay et al.	D34/6
3,713,182 A	1/1973	McNeal	

(Continued)

Related U.S. Application Data

- (63) Continuation-in-part of application No. 29/503,904, filed on Sep. 30, 2014, now abandoned.
- (51) **LOC (10) Cl.** **06-06**
- (52) **U.S. Cl.**
USPC **D6/675.5**
- (58) **Field of Classification Search**
USPC D6/382-383, 396, 473-474, 477-479,
D6/606-607, 672, 675.5; 5/503.1, 504.1,
5/505.1; 211/13.1, 40, 42-43, 49.1, 50,
211/52, 53, 55-56, 60.1, 70.3, 85.8, 181.1,
211/182, 189
CPC A47B 57/58; A47F 5/0031
See application file for complete search history.

Primary Examiner — Kelley Donnelly

(74) *Attorney, Agent, or Firm* — Pedersen and Company, PLLC; Ken J. Pedersen; Barbara S. Pedersen

(57) **CLAIM**

The ornamental design for an adjustable support stand, as shown and described.

DESCRIPTION

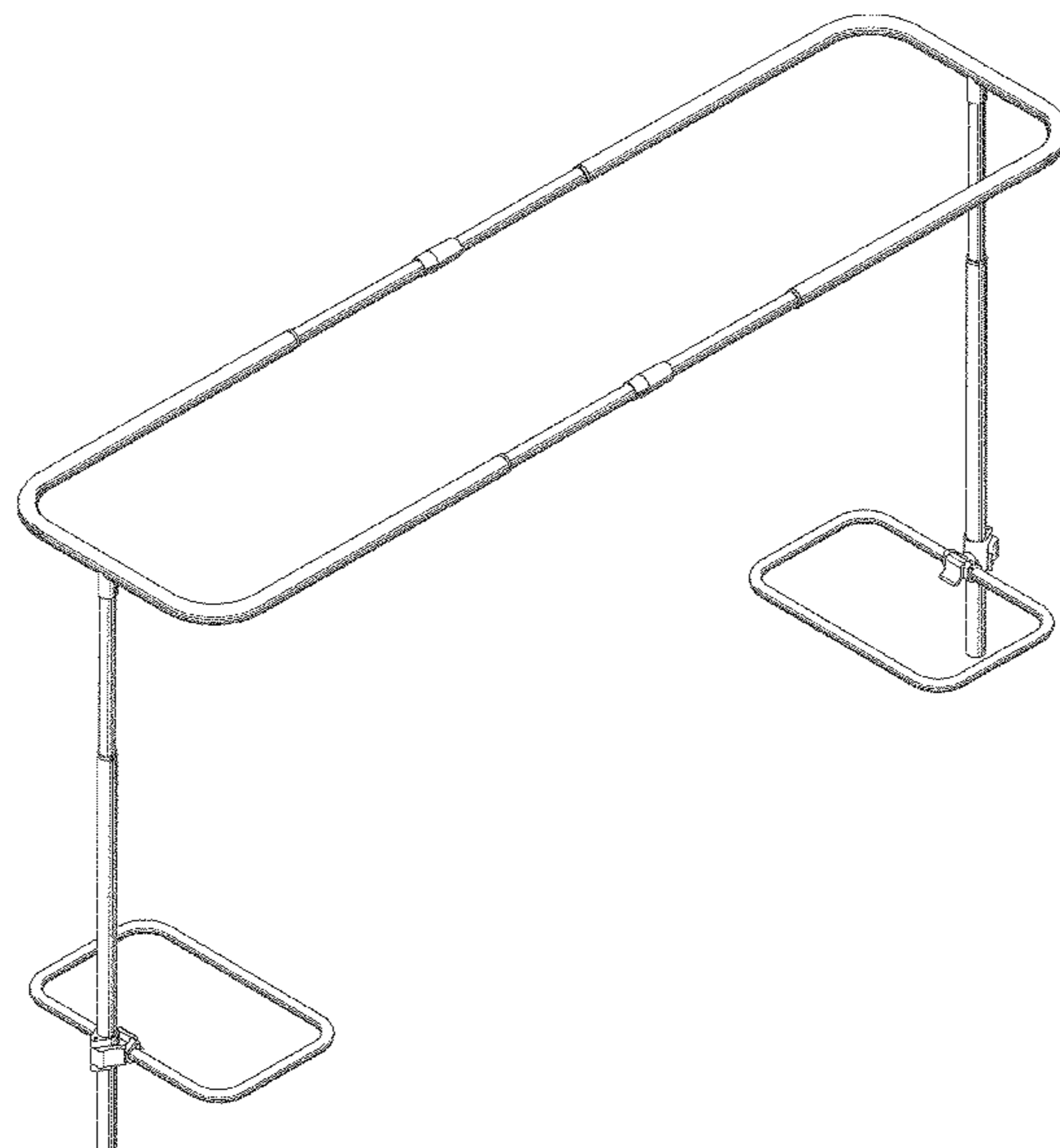
FIG. 1 is a front perspective view of the invented design for an adjustable support stand.
 FIG. 2 is a top view of the adjustable support stand of FIG. 1.
 FIG. 3 is a rear view of the adjustable support stand of FIG. 1.
 FIG. 4 is a front view of the adjustable support stand of FIG. 1.
 FIG. 5 is a right end view of the adjustable support stand of FIG. 1.
 FIG. 6 is a left end view of the adjustable support stand of FIG. 1.
 FIG. 7 is a bottom view of the adjustable support stand of FIG. 1; and,
 FIG. 8 is a front perspective view of the adjustable support stand of FIG. 1, with extender bars inserted between right and left ends of the top frame of the adjustable support stand.

(56) **References Cited**

U.S. PATENT DOCUMENTS

802,610 A	10/1905	Tuttle
998,996 A	7/1911	Swenson et al.
1,072,490 A	9/1913	Oilar
1,175,526 A	3/1916	Jones
1,577,089 A	3/1926	Whitford
1,577,825 A	3/1926	Jenness
1,741,361 A	12/1929	Doyle
2,106,834 A	2/1938	Ewald
2,112,122 A	3/1938	Sullivan
2,210,255 A	8/1940	Peevey
2,235,191 A	3/1941	Arnould

1 Claim, 4 Drawing Sheets



(56)

References Cited

U.S. PATENT DOCUMENTS

4,174,085	A *	11/1979	Ferreira et al.	248/97	6,834,403	B1	12/2004	Elliott
4,190,915	A	3/1980	Birt		6,895,615	B2	5/2005	Dilascio
4,287,622	A	9/1981	Lane		6,901,616	B1	6/2005	Warrington et al.
4,353,140	A	10/1982	Graber		6,935,992	B2	8/2005	Gehrke
4,561,549	A	12/1985	Yokohori		7,137,159	B1	11/2006	Choate
D292,763	S	11/1987	Rich		7,159,725	B1 *	1/2007	Gates et al. 211/13.1
D297,998	S	10/1988	Edson		D562,572	S	2/2008	Nothel
4,841,589	A	6/1989	Moore		7,431,389	B2 *	10/2008	Reeb et al. 297/184.15
5,329,658	A	7/1994	Fontenot et al.		7,617,552	B2	11/2009	Strickland
5,438,720	A	8/1995	Daneshvar		D620,279	S	7/2010	Lebon
5,560,502	A *	10/1996	Hsiung	211/195	D635,804	S	4/2011	North
D389,632	S *	1/1998	Reddin	D34/6	D637,015	S	5/2011	Rogers
5,881,406	A	3/1999	Cobb		7,950,081	B2	5/2011	Chen et al.
6,045,107	A	4/2000	Carlson		D640,485	S	6/2011	Dugger
D428,544	S *	7/2000	Moffitt et al.	D34/5	7,958,578	B2	6/2011	Shan et al.
6,240,581	B1	6/2001	Pender		D649,378	S	11/2011	Rogers
D470,332	S *	2/2003	Clucas et al.	D6/675.5	D676,258	S	2/2013	Landers
D475,551	S *	6/2003	Kelso	D6/675.5	D690,541	S	10/2013	Rogers
D475,555	S	6/2003	Lauts		D703,980	S *	5/2014	Anderson, Jr. D6/678.4
6,607,015	B1	8/2003	Chen		2003/0229942	A1	12/2003	Dilascio
D486,197	S	2/2004	Marshall		2005/0273931	A1	12/2005	Edwards
6,823,883	B1 *	11/2004	Sears	135/128	2006/0248647	A1	11/2006	Huber
					2008/0276375	A1	11/2008	Gehrke
					2008/0295247	A1	12/2008	Rogers

* cited by examiner

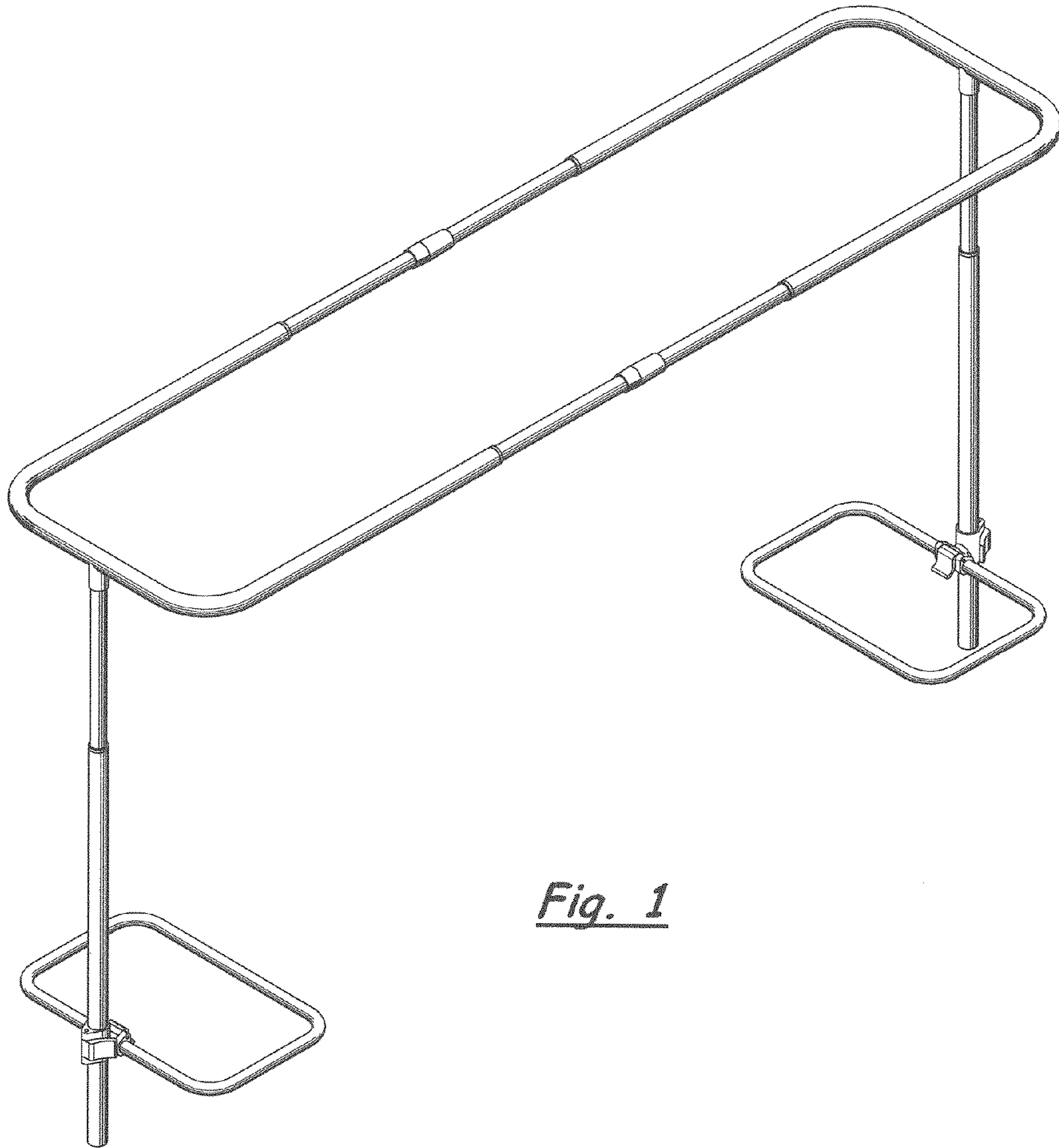


Fig. 1

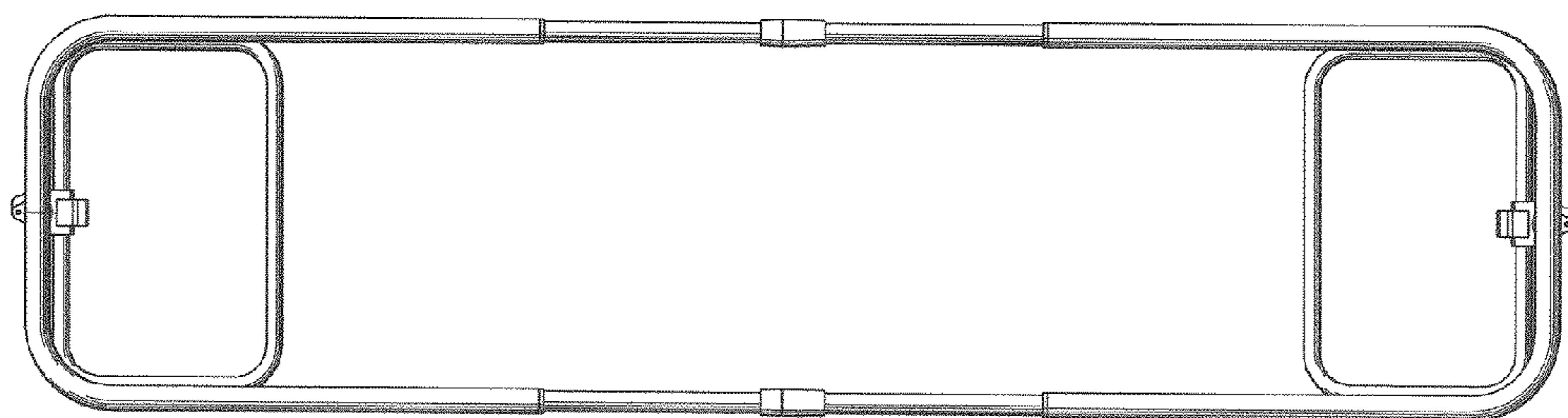


Fig. 2

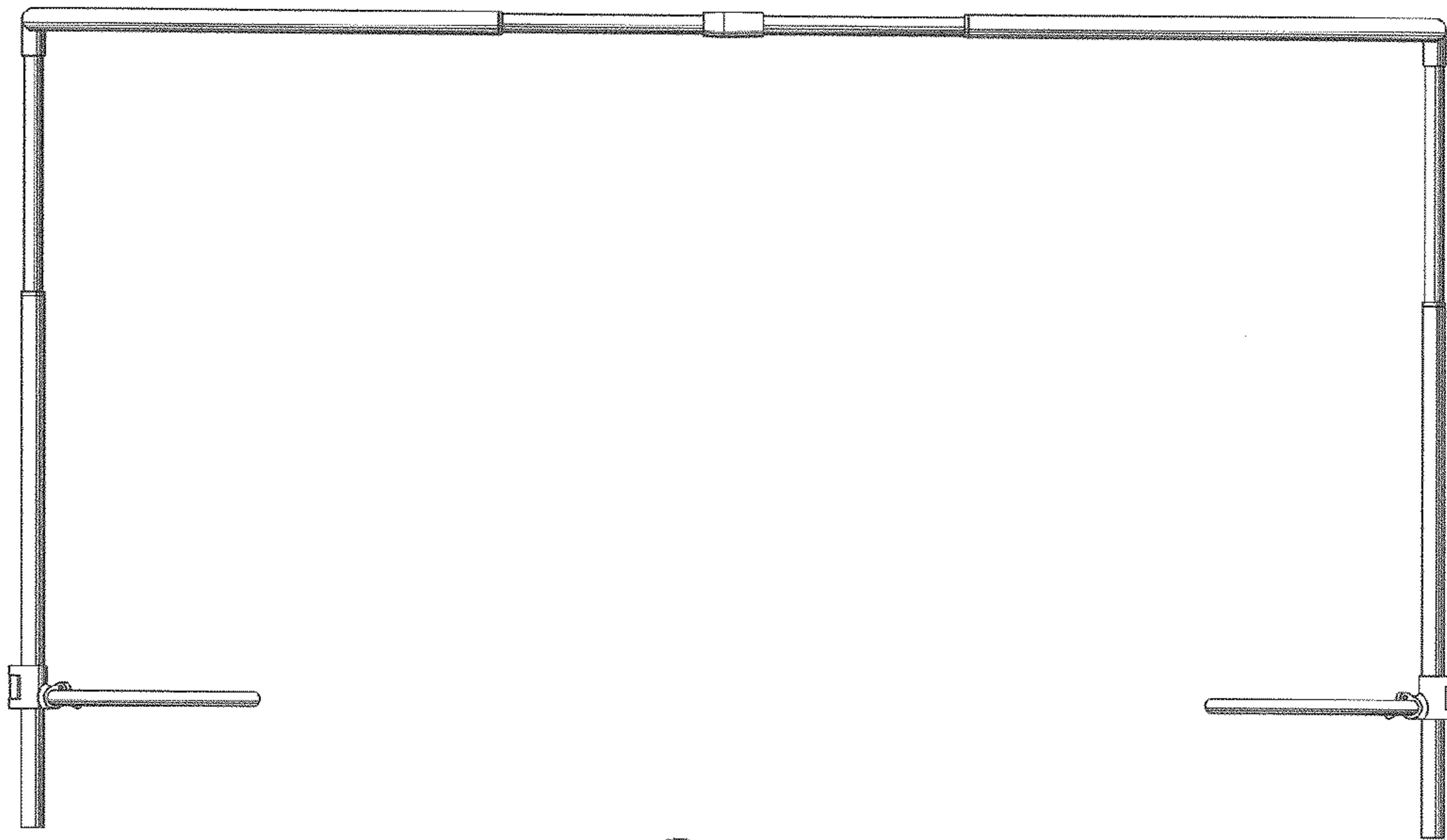


Fig. 3

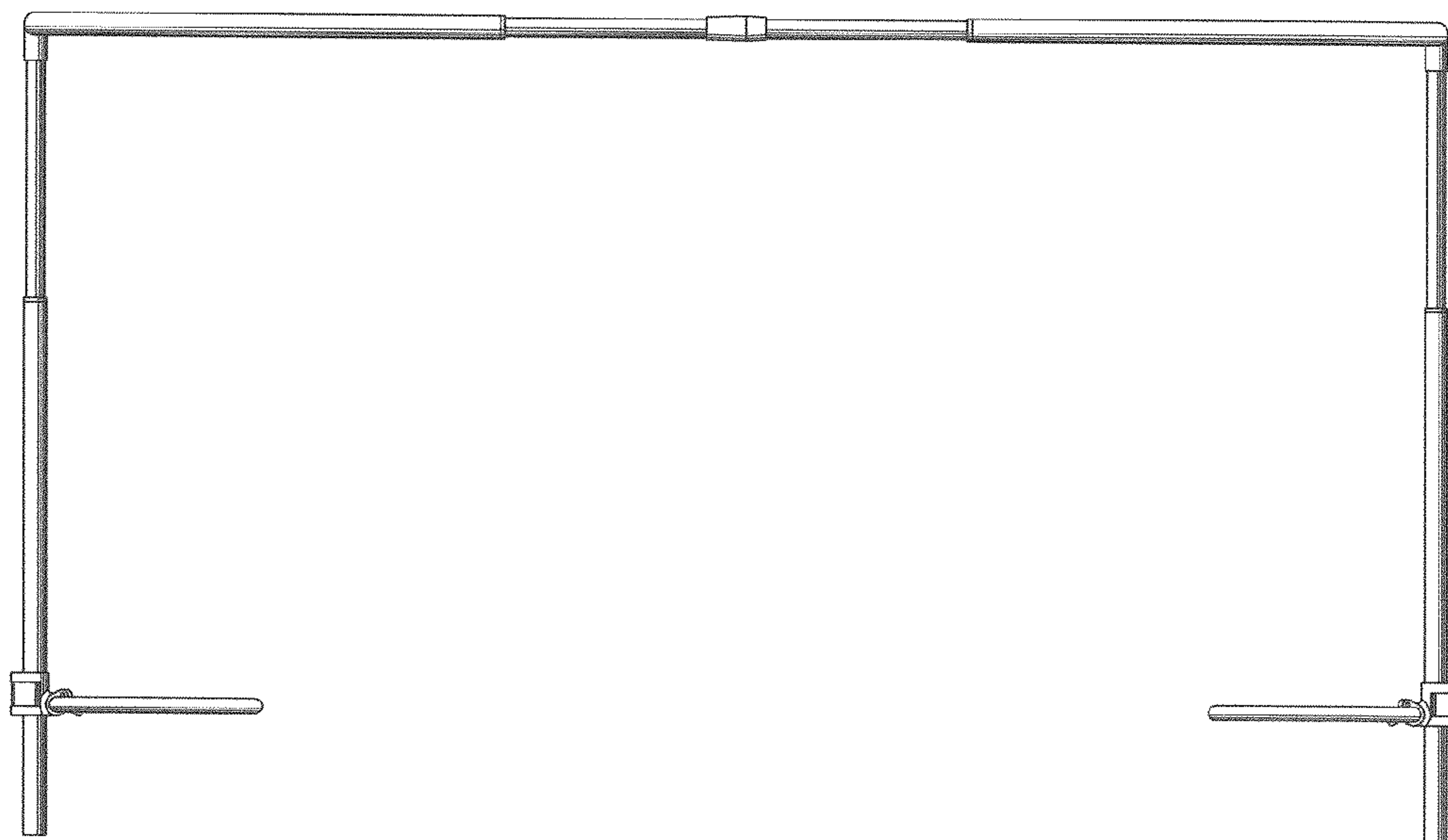


Fig. 4

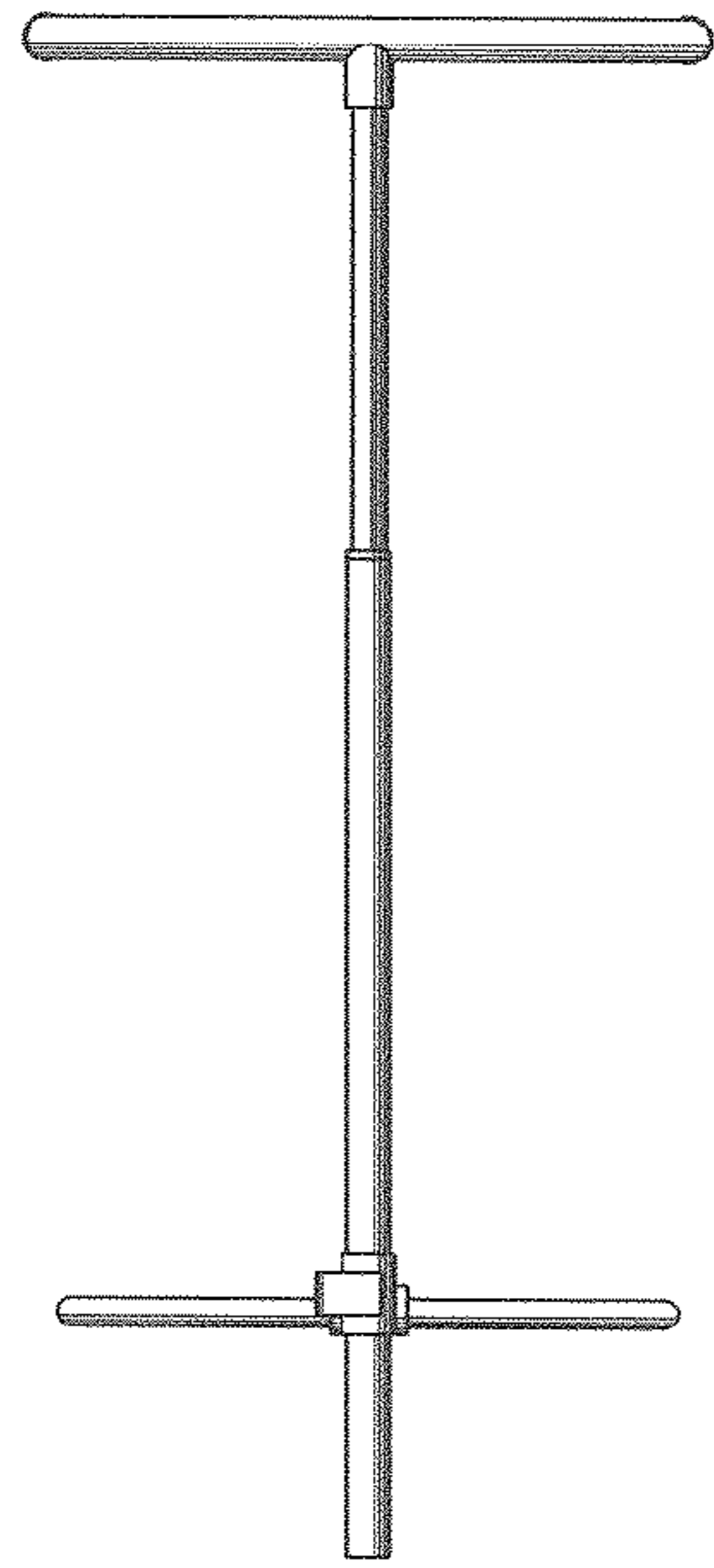


Fig. 5

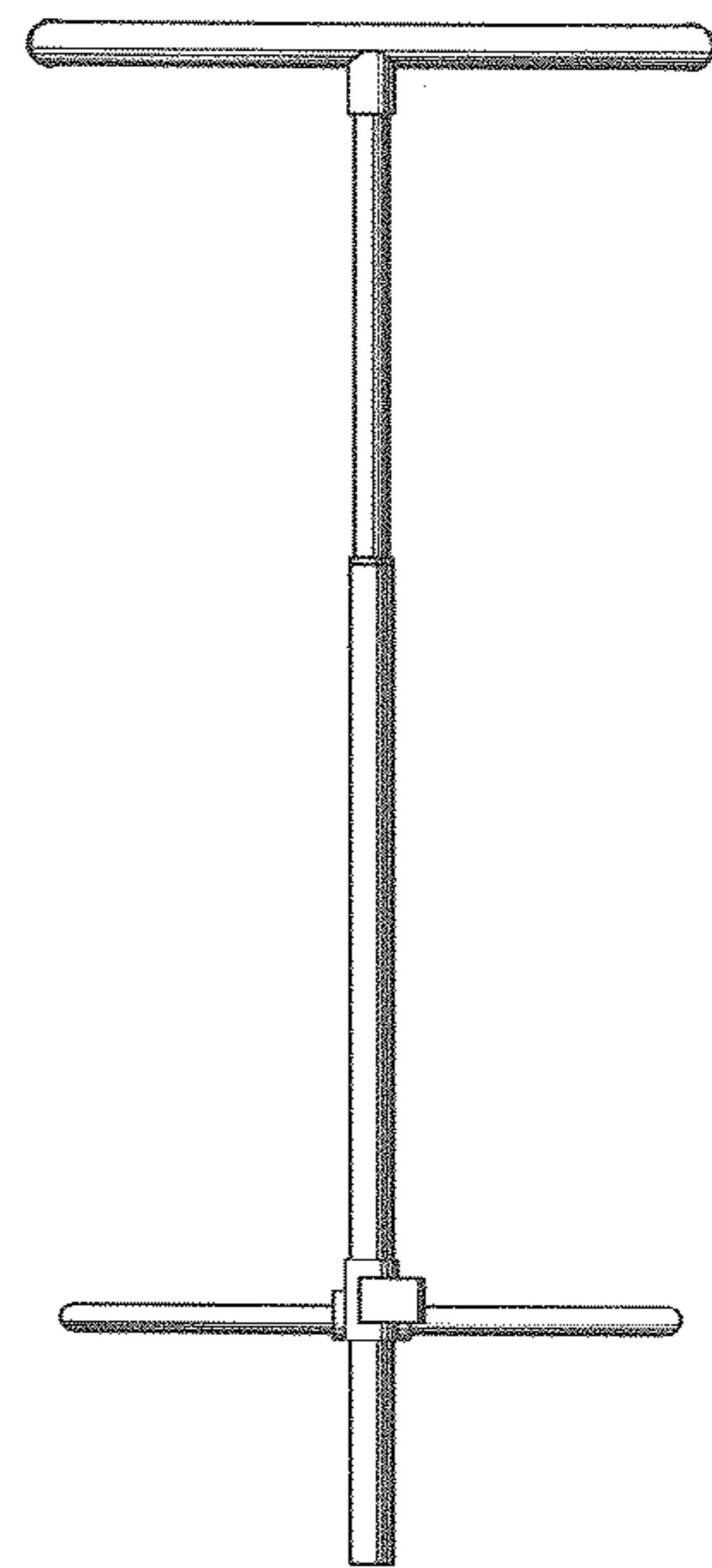


Fig. 6

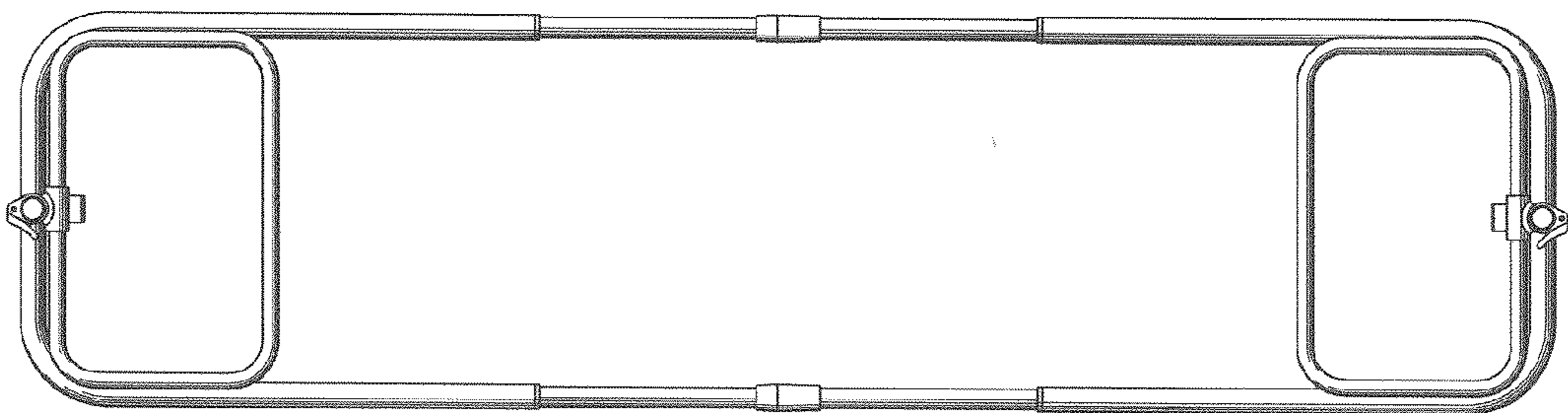


Fig. 7

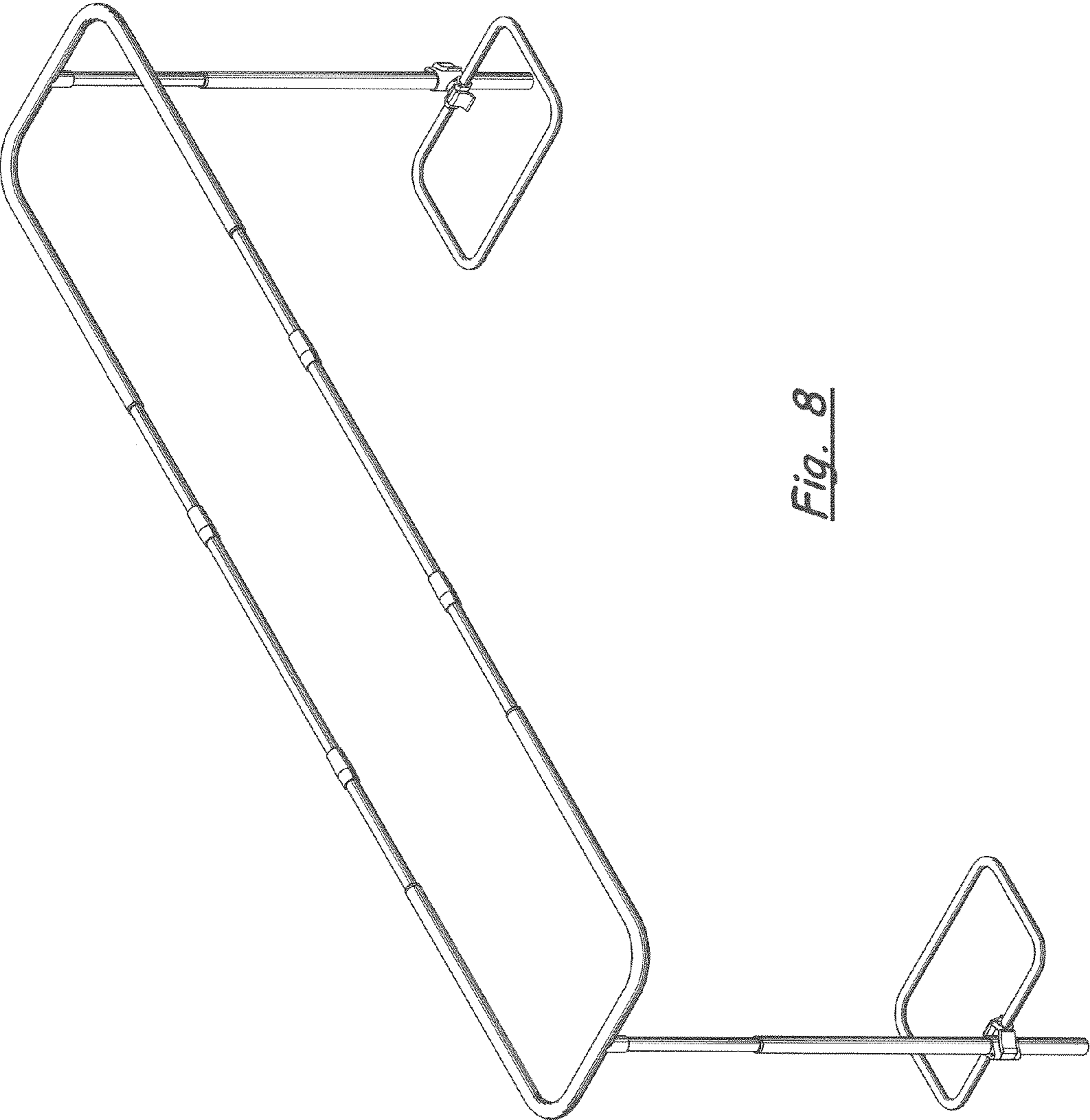


Fig. 8