



US00D738143S

(12) **United States Design Patent**
Guzzone et al.

(10) **Patent No.:** **US D738,143 S**
(45) **Date of Patent:** **** Sep. 8, 2015**

(54) **SHELVING UNIT**

(71) Applicant: **Intercontinental Great Brands LLC**,
East Hanover, NJ (US)

(72) Inventors: **Frank S. Guzzone**, Libertyville, IL
(US); **Michael Allen Miller**, Montclair,
NJ (US); **Eddin Alvarado**, Wyckoff, NJ
(US); **David Mason**, Leicester (GB)

(73) Assignee: **Intercontinental Great Brands LLC**,
East Hanover, NJ (US)

(**) Term: **14 Years**

(21) Appl. No.: **29/475,496**

(22) Filed: **Dec. 3, 2013**

(51) **LOC (10) Cl.** **06-06**

(52) **U.S. Cl.**
USPC **D6/675.4**

(58) **Field of Classification Search**
USPC D6/473-479, 630, 675, 675.1, 675.3,
D6/675.4, 678.1-678.3; 108/91-93, 160;
211/42, 52, 87.01, 90.04, 128.1,
211/134-135
CPC A47F 1/04; A47F 5/0025
See application file for complete search history.

(56) **References Cited**

U.S. PATENT DOCUMENTS

D282,127 S *	1/1986	Weiller	D6/476
D363,840 S *	11/1995	Weshler	D6/476
6,866,352 B2 *	3/2005	Fujii et al.	312/122
D537,655 S *	3/2007	Hessell	D6/468
D554,901 S *	11/2007	Bretz et al.	D6/468
D586,582 S *	2/2009	Alexander	D6/457
D608,115 S *	1/2010	Trinh et al.	D6/477
D609,937 S *	2/2010	Ricereto	D6/432

D631,678 S *	2/2011	Morison	D6/468
D655,108 S *	3/2012	Majrani	D6/479
D689,715 S *	9/2013	Wong	D6/675.1
D716,080 S *	10/2014	Bell et al.	D6/675.1
D722,243 S *	2/2015	Kehoe et al.	D6/675.3

FOREIGN PATENT DOCUMENTS

EM 0000135940001 4/2003

* cited by examiner

Primary Examiner — Kelley Donnelly

(74) *Attorney, Agent, or Firm* — Fitch, Even, Tabin & Flannery LLP

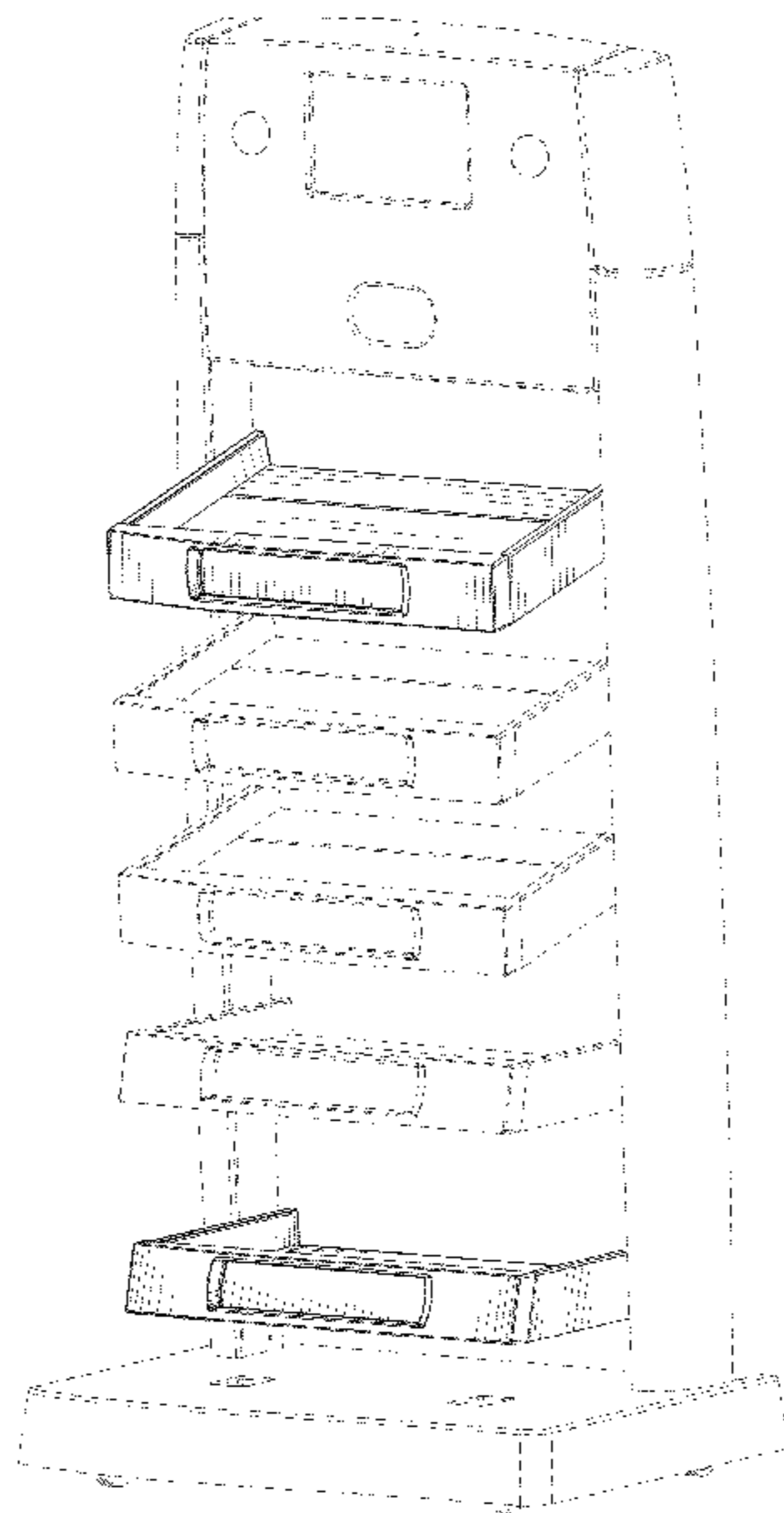
(57) **CLAIM**

We claim the ornamental design for a shelving unit, as shown and described.

DESCRIPTION

FIG. 1 is a front perspective view of a shelving unit of a first embodiment showing our new design; FIG. 2 is a front elevational view thereof; FIG. 3 is a right side elevational view thereof; FIG. 4 is a left side elevational view thereof; FIG. 5 is a top plan view thereof; FIG. 6 is a bottom plan view thereof; FIG. 7 is a front perspective view of a shelving unit of a second embodiment showing our new design; FIG. 8 is a front elevational view thereof; FIG. 9 is a right side elevational view thereof; FIG. 10 is a left side elevational view thereof; FIG. 11 is a top plan view thereof; and, FIG. 12 is a bottom plan view thereof. The broken lines depict unclaimed environmental subject matter and form no part of the claimed design.

1 Claim, 9 Drawing Sheets



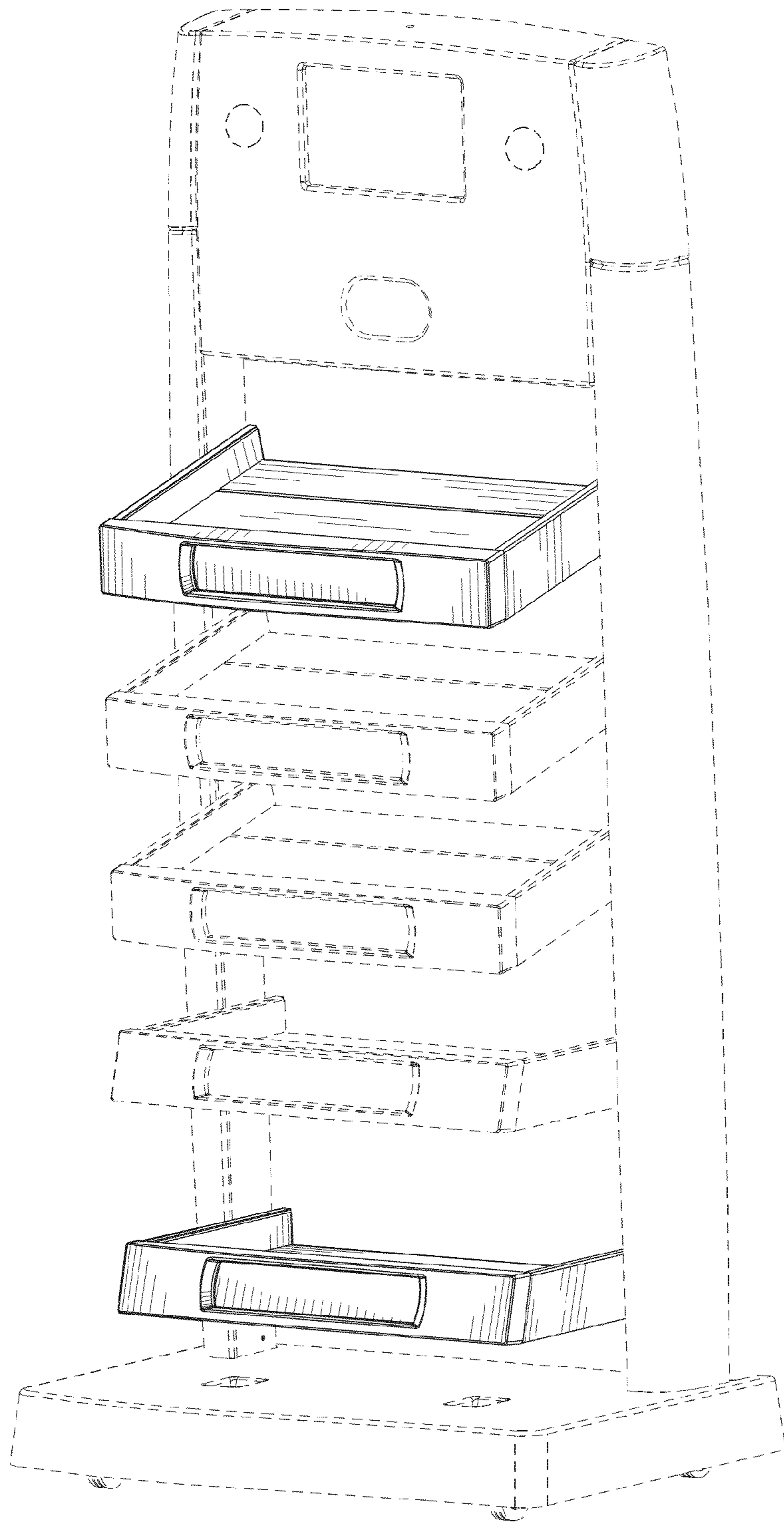


FIG. 1

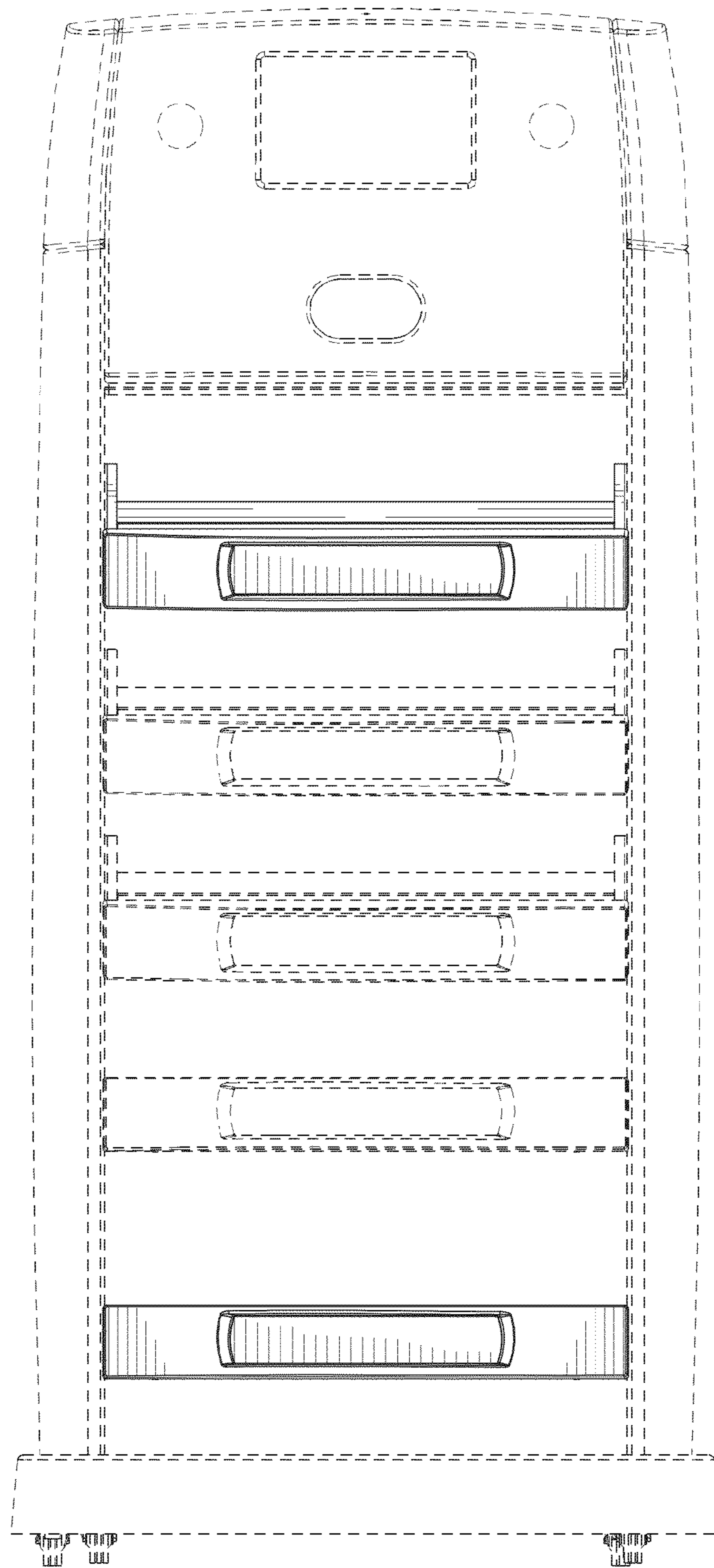


FIG. 2

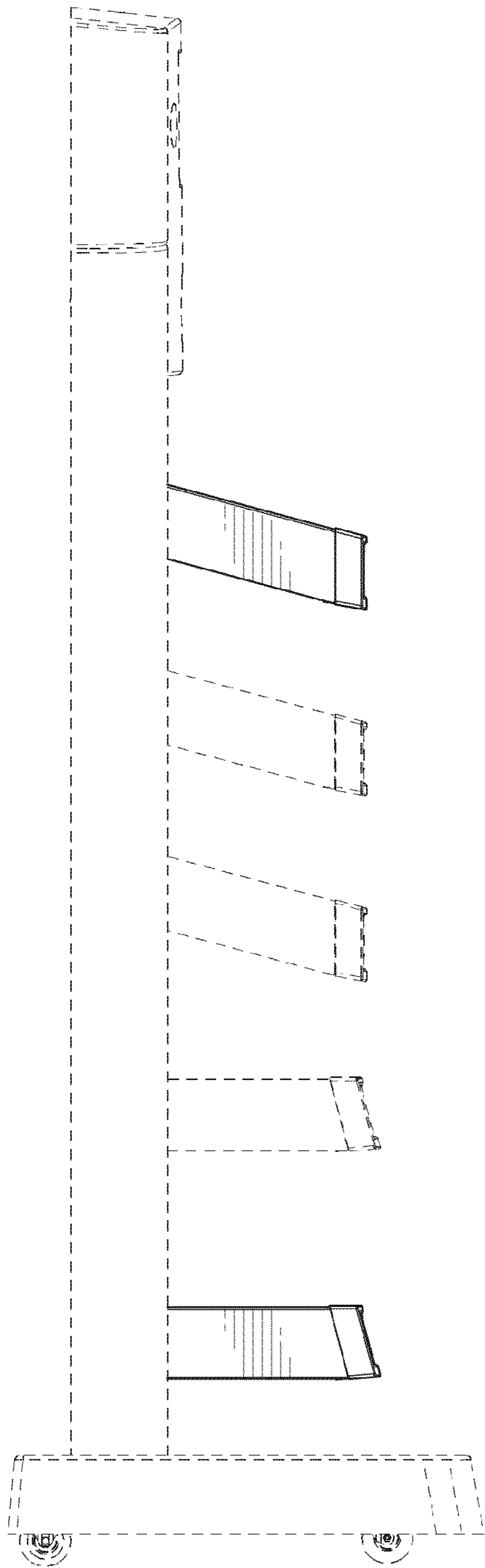


FIG. 3

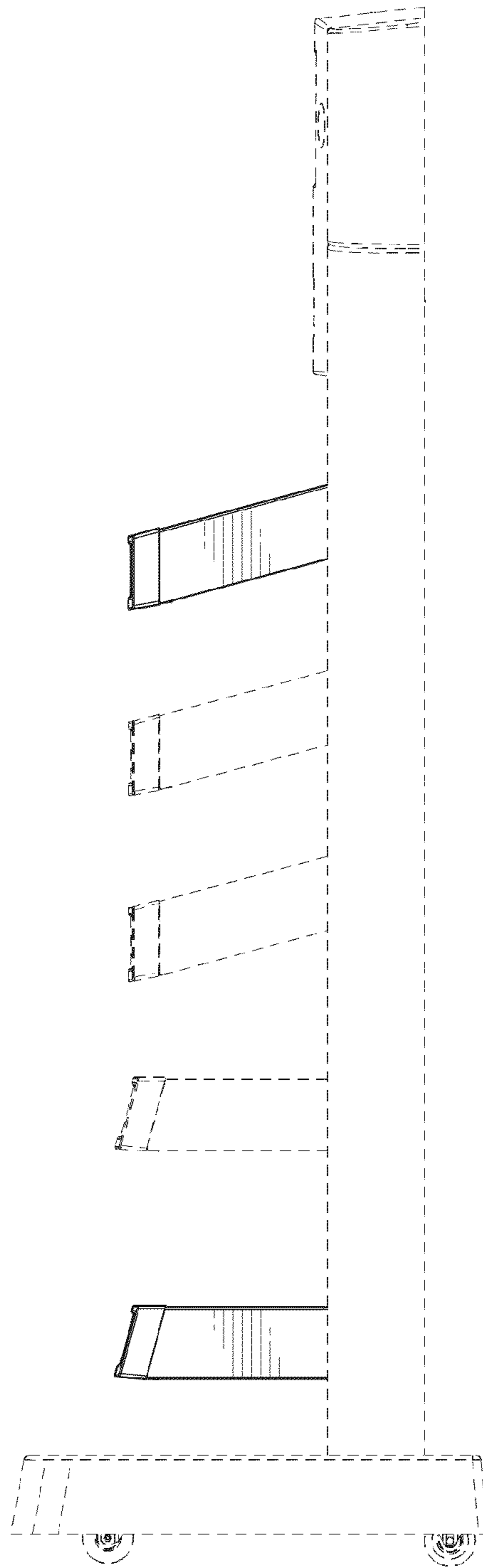


FIG. 4

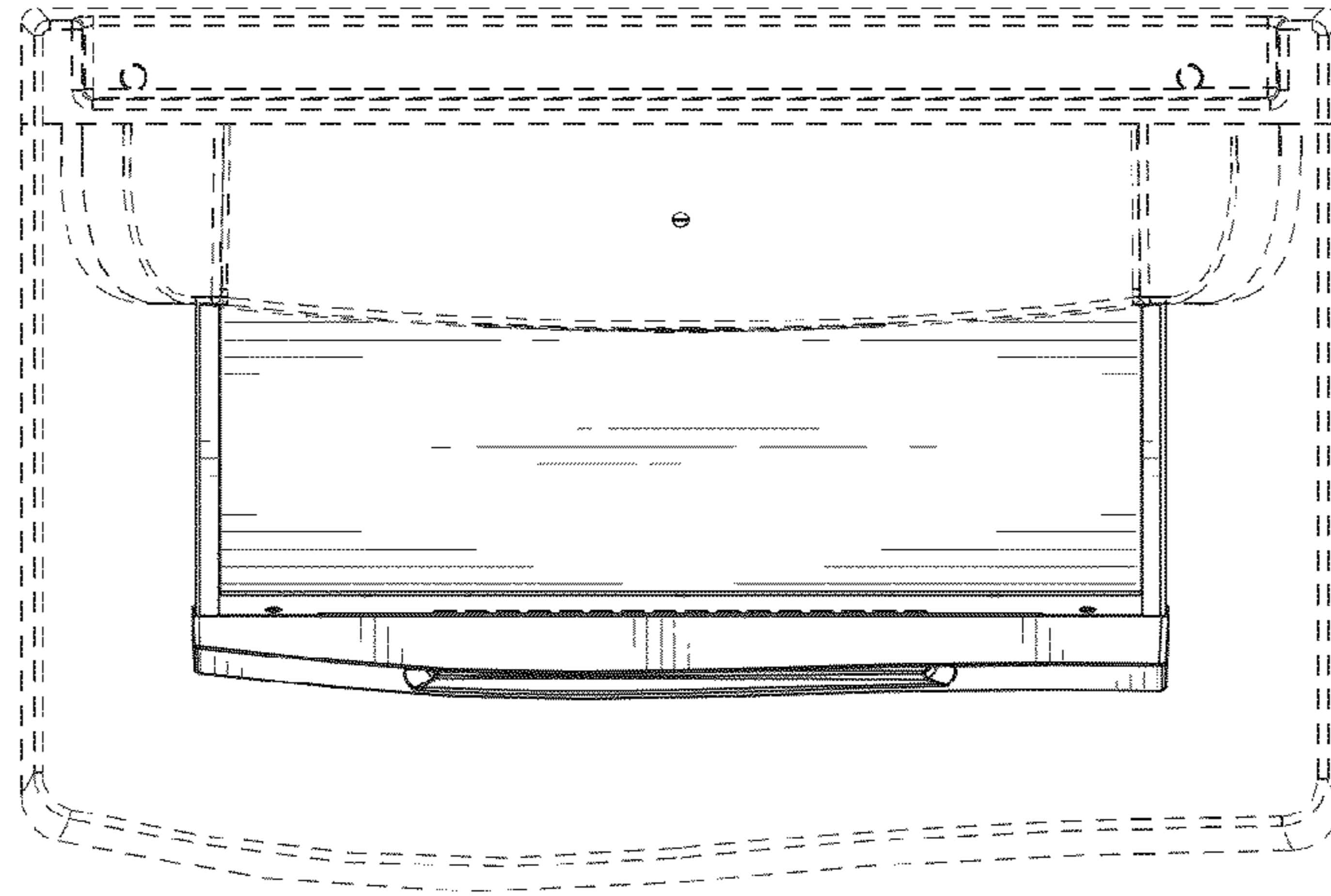


FIG. 5

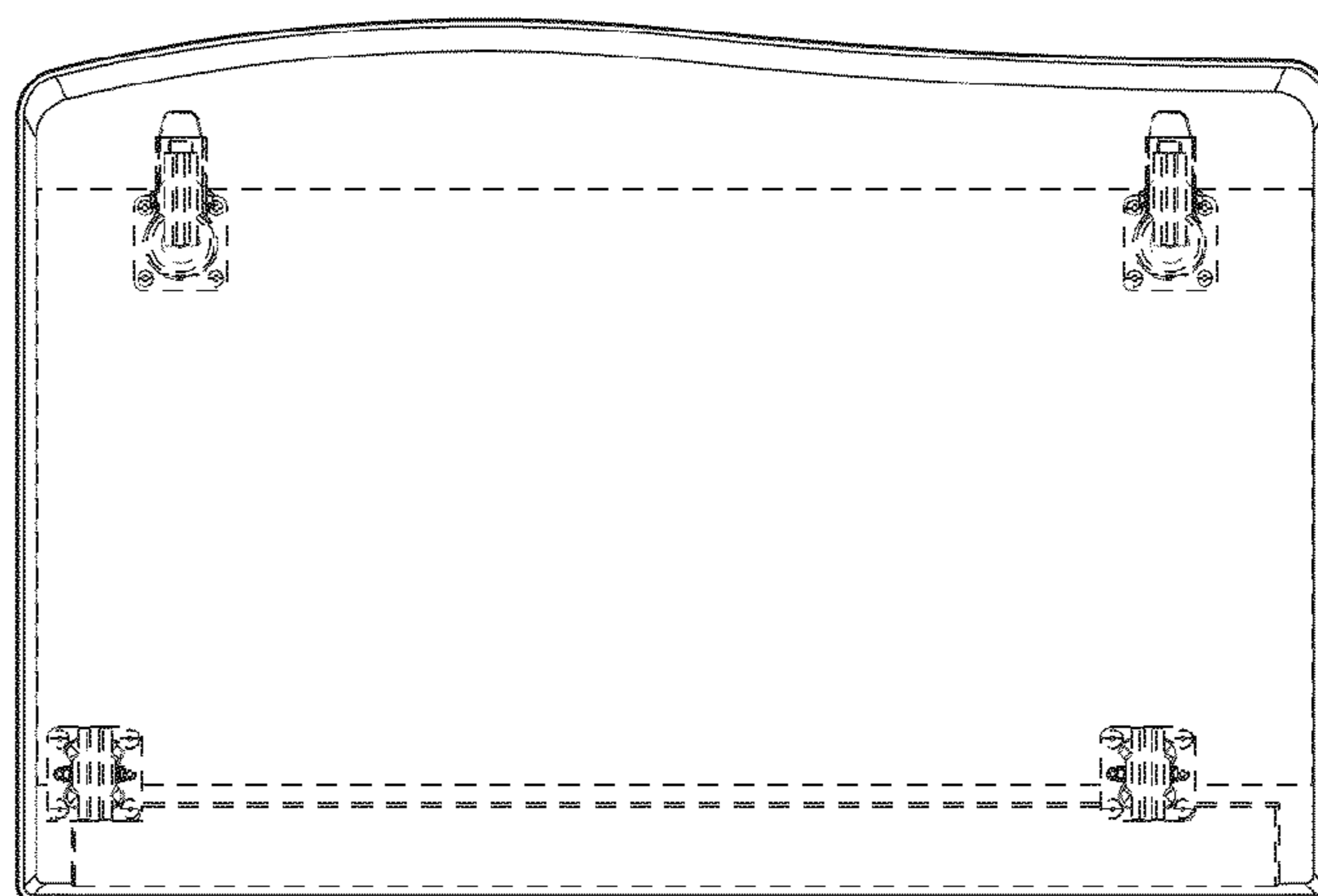


FIG. 6

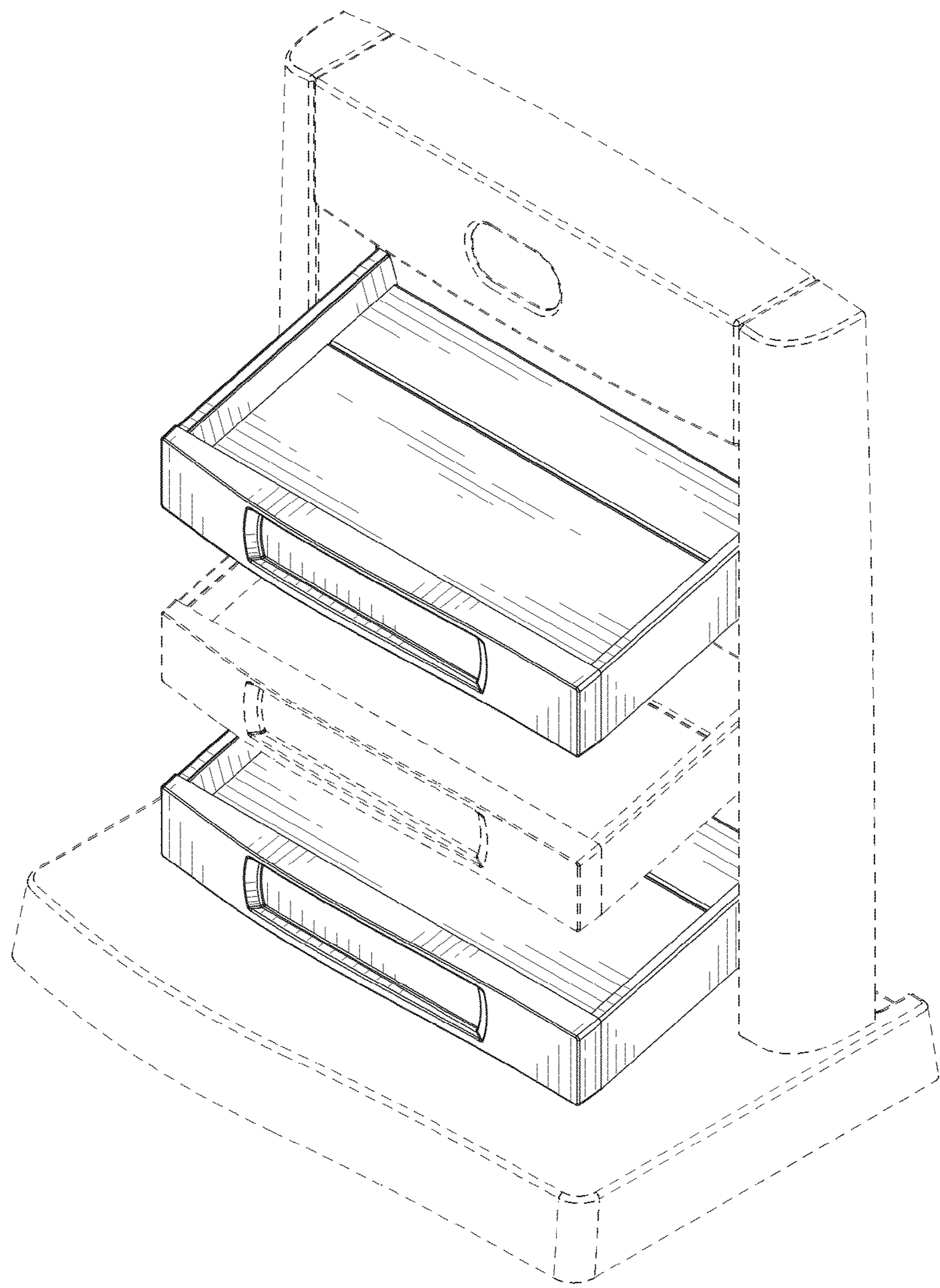


FIG. 7

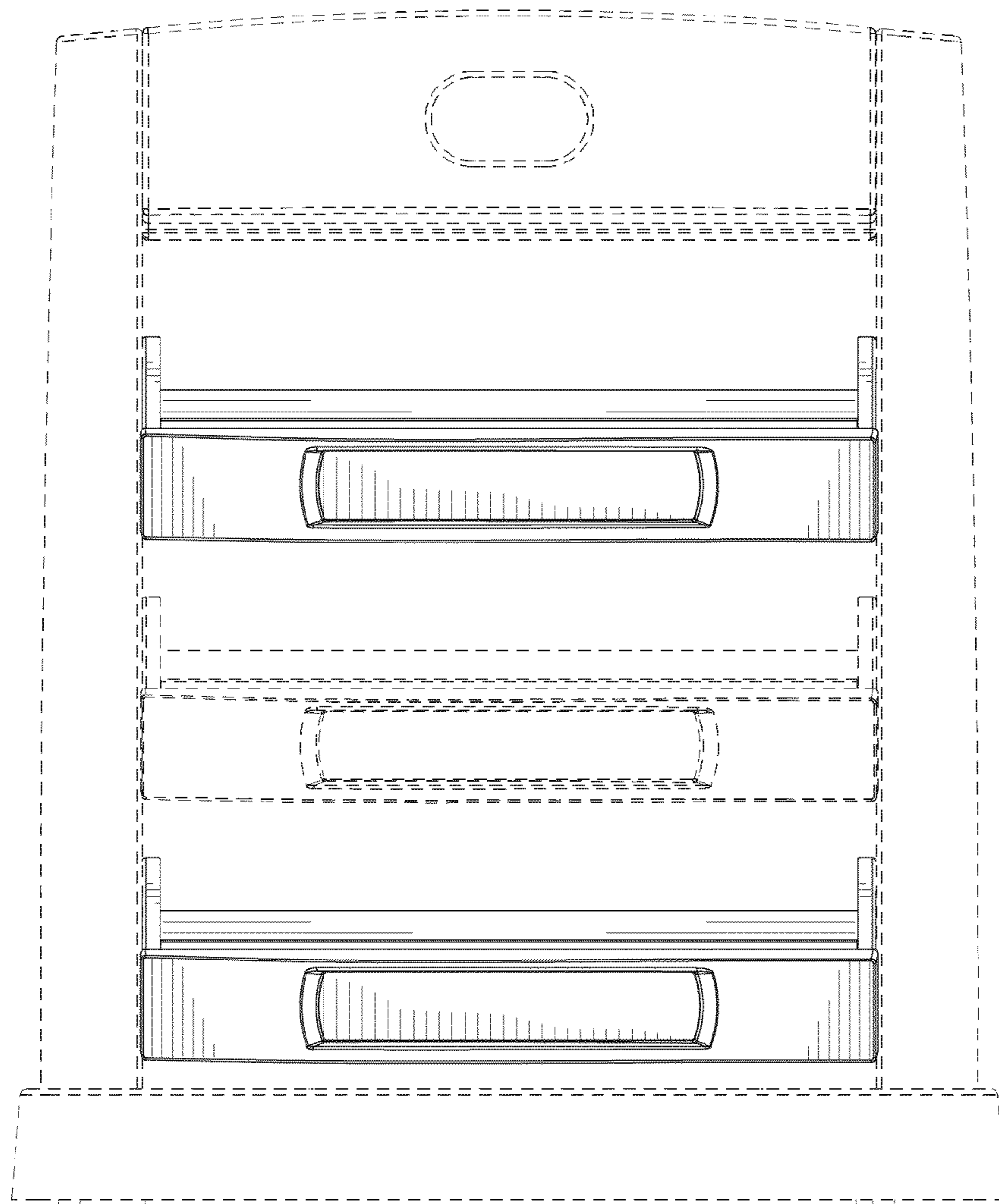


FIG. 8

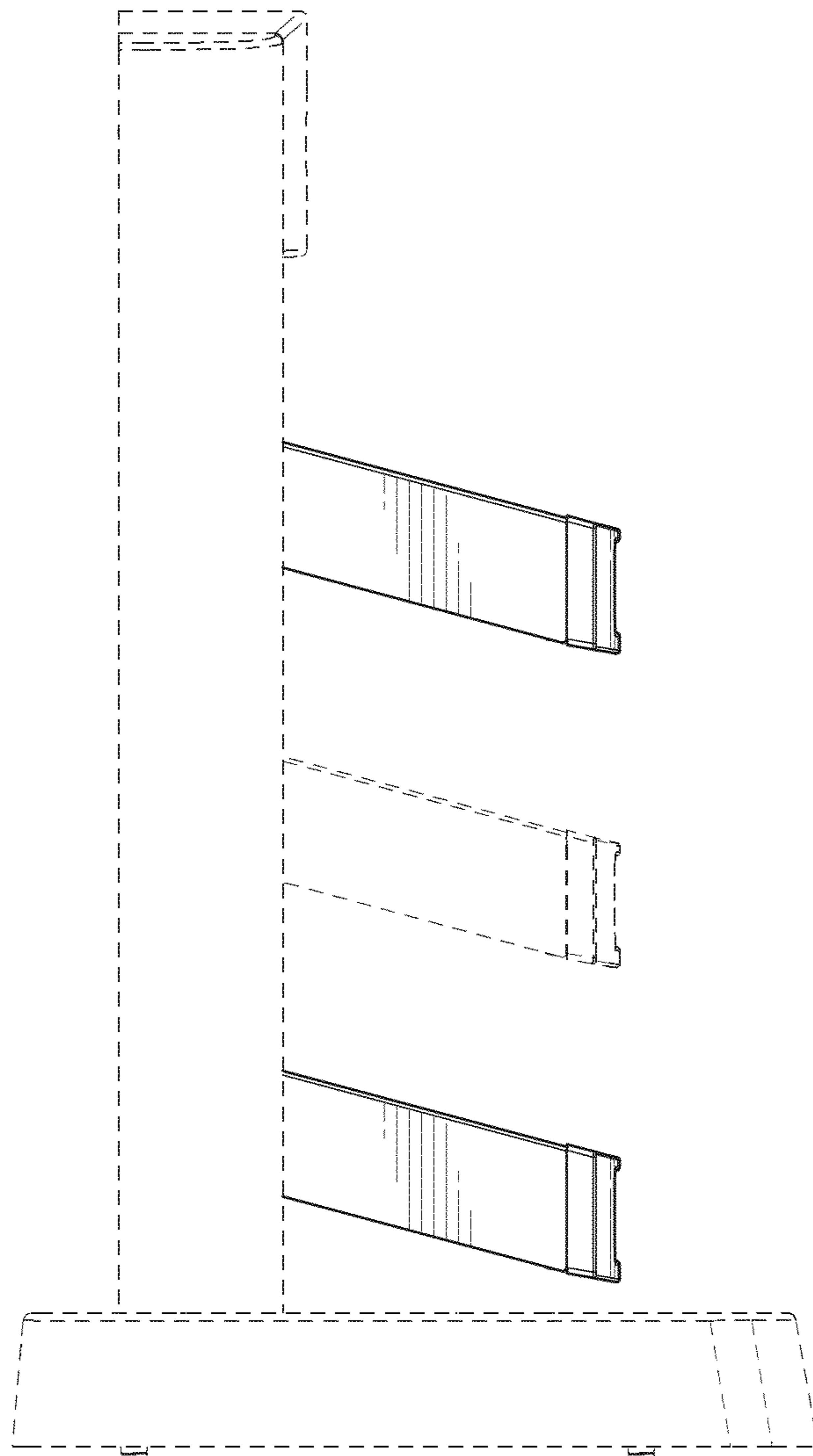


FIG. 9

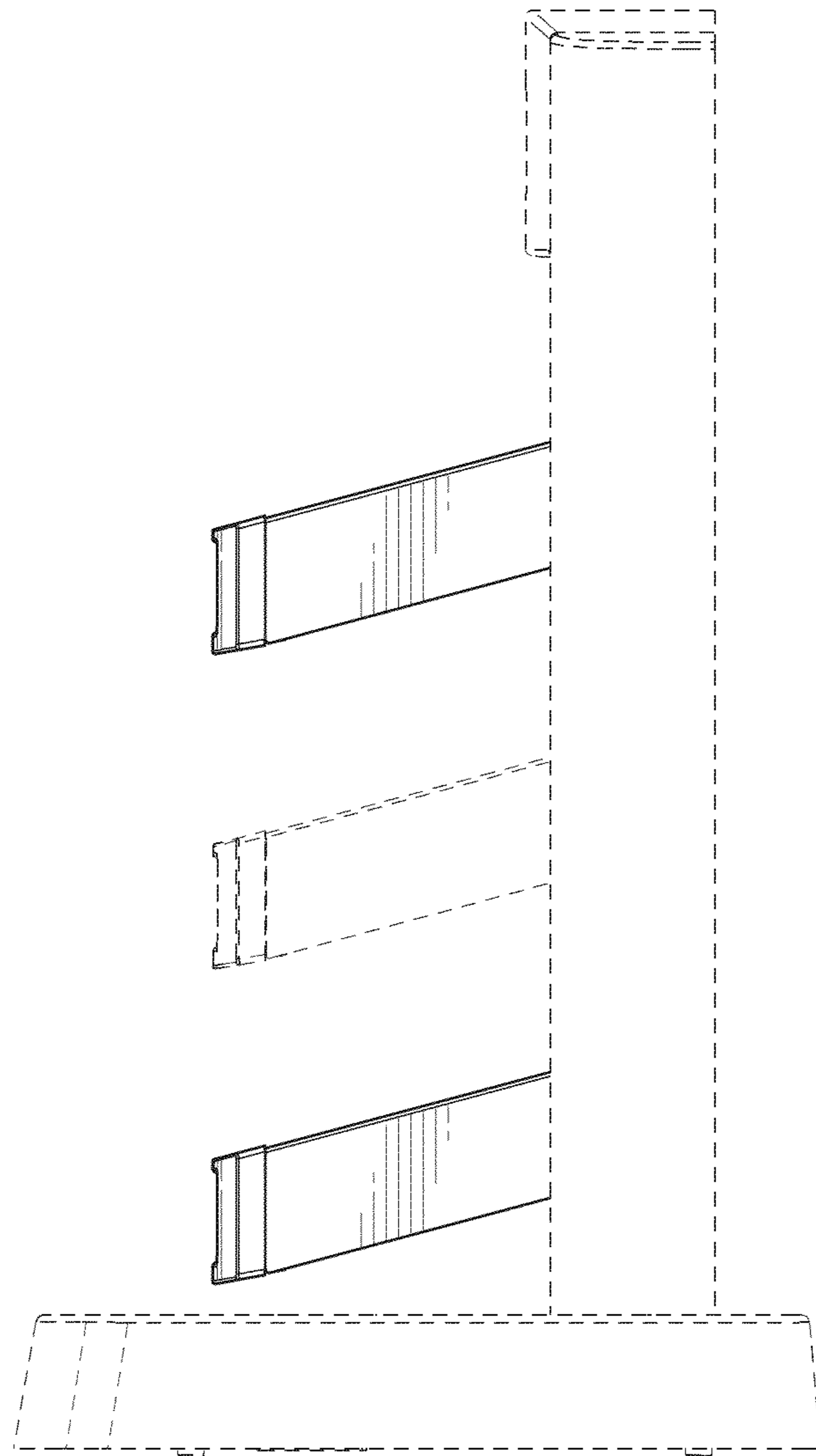


FIG. 10

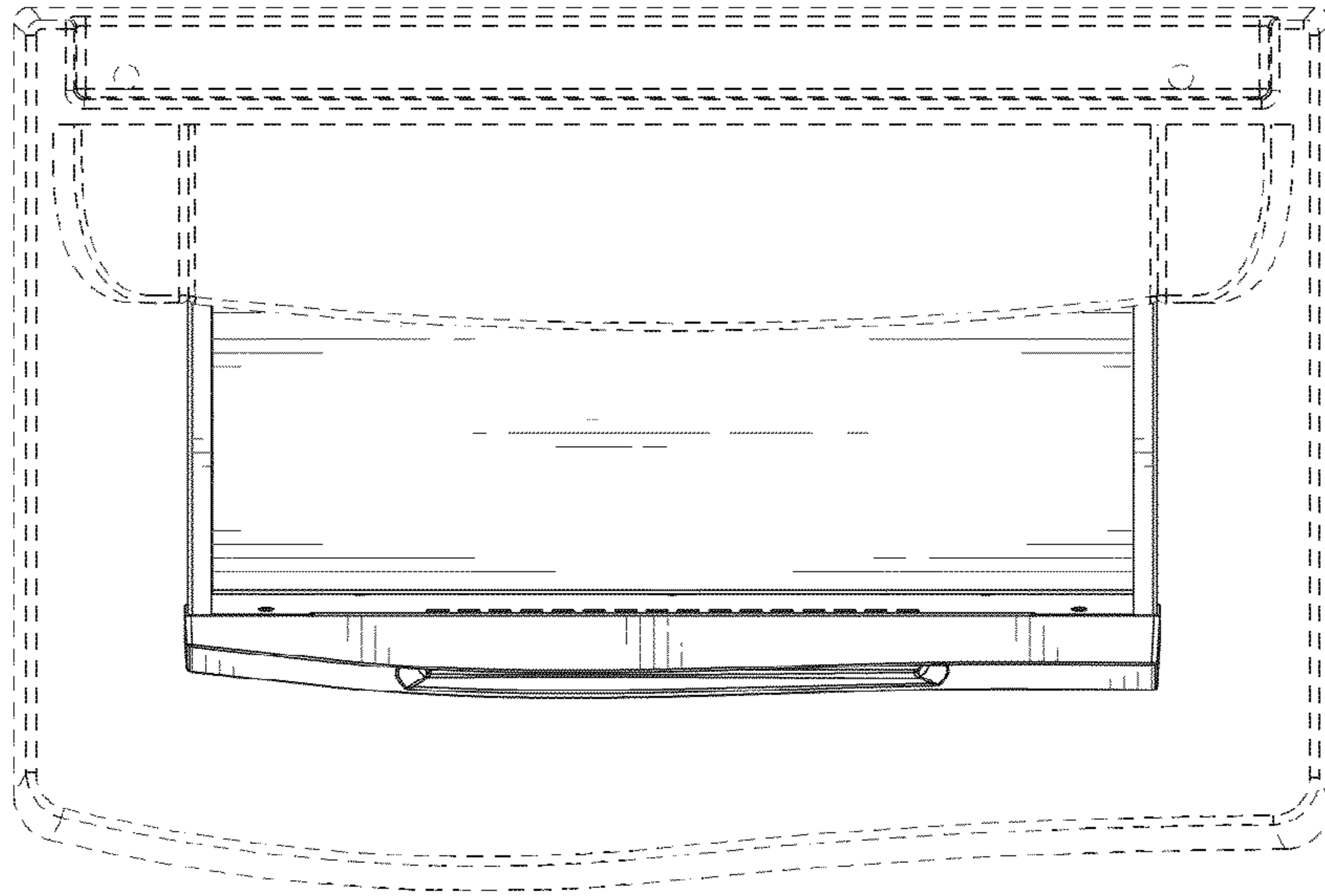


FIG. 11

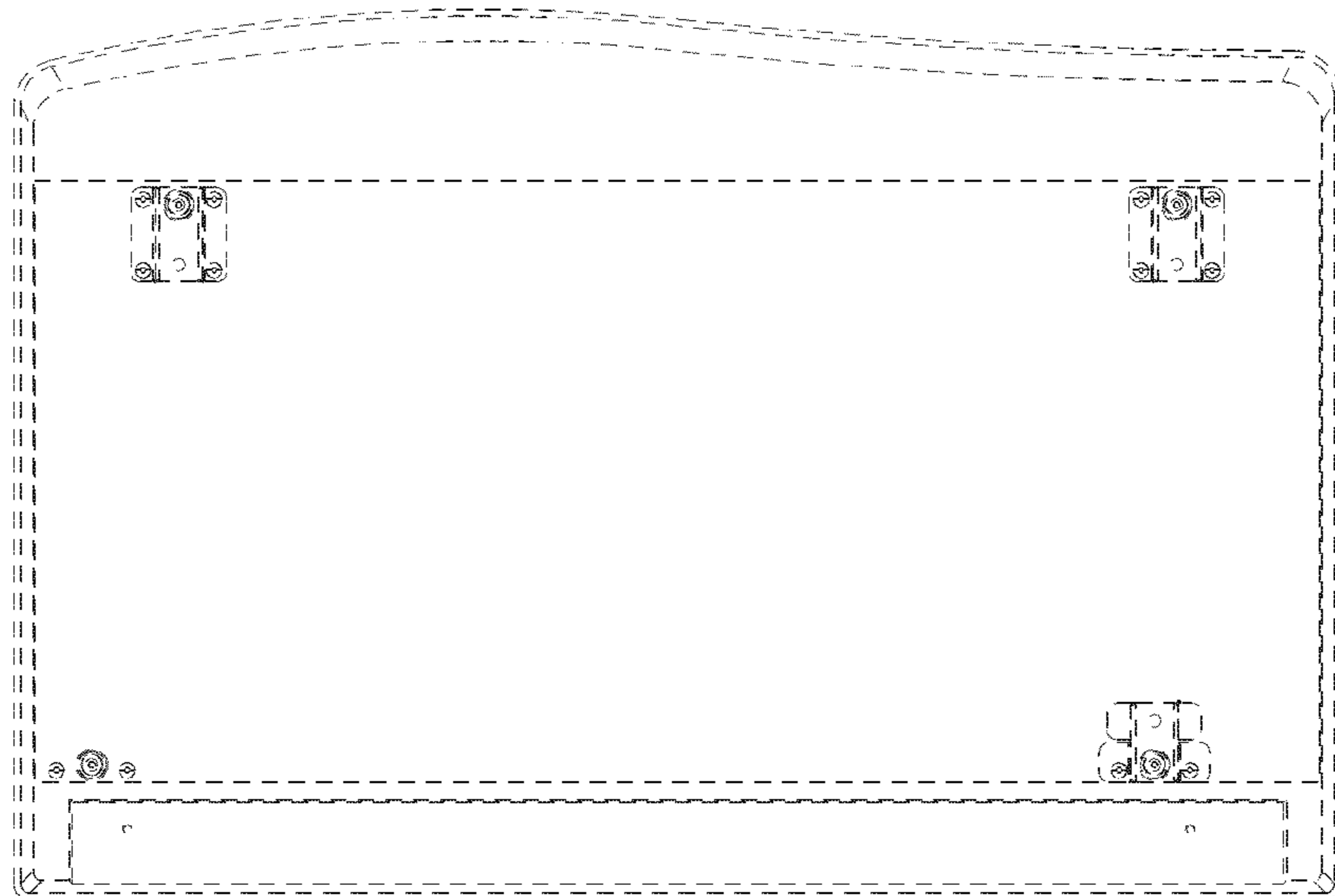


FIG. 12