



US00D738141S

(12) **United States Design Patent**
Glattstein et al.

(10) **Patent No.:** **US D738,141 S**

(45) **Date of Patent:** **** Sep. 8, 2015**

(54) **DRESSER**

D488,326 S * 4/2004 Domack D6/668.2
D505,569 S * 5/2005 Mohundro D6/671.1
D663,970 S * 7/2012 Hoff et al. D6/671.1

(71) Applicant: **Hillsdale Furniture, LLC**, Louisville, KY (US)

* cited by examiner

(72) Inventors: **Uri Glattstein**, Louisville, KY (US);
Dennis Dayon, Cebu (PH); **Mark Aliviado**, Cebu (PH)

Primary Examiner — Mimoso De

(74) *Attorney, Agent, or Firm* — Bryan Cave LLP

(73) Assignee: **Hillsdale Furniture, LLC**, Louisville, KY (US)

(57) **CLAIM**

We claim the ornamental design for a dresser, as shown and described.

(**) Term: **14 Years**

DESCRIPTION

(21) Appl. No.: **29/479,256**

FIG. 1 is a front, right perspective view of the dresser, according to an embodiment;

(22) Filed: **Jan. 14, 2014**

FIG. 2 is a front view of the dresser, according to the embodiment;

(51) **LOC (10) Cl.** **06-04**

FIG. 3 is a back view of the dresser, according to the embodiment;

(52) **U.S. Cl.**
USPC **D6/668.2**

FIG. 4 is a right side view of the dresser, according to the embodiment;

(58) **Field of Classification Search**
USPC D6/663, 664.1, 668, 668.1, 668.2, 669,
D6/671, 671.1

FIG. 5 is a left side view of the dresser, according to the embodiment;

CPC A47F 3/00; A47F 3/005; A47B 17/04;
A47B 67/005; A47B 47/03; A47B 67/00

FIG. 6 is a top view of the dresser, according to the embodiment; and,

See application file for complete search history.

FIG. 7 is a bottom view of the dresser, according to the embodiment.

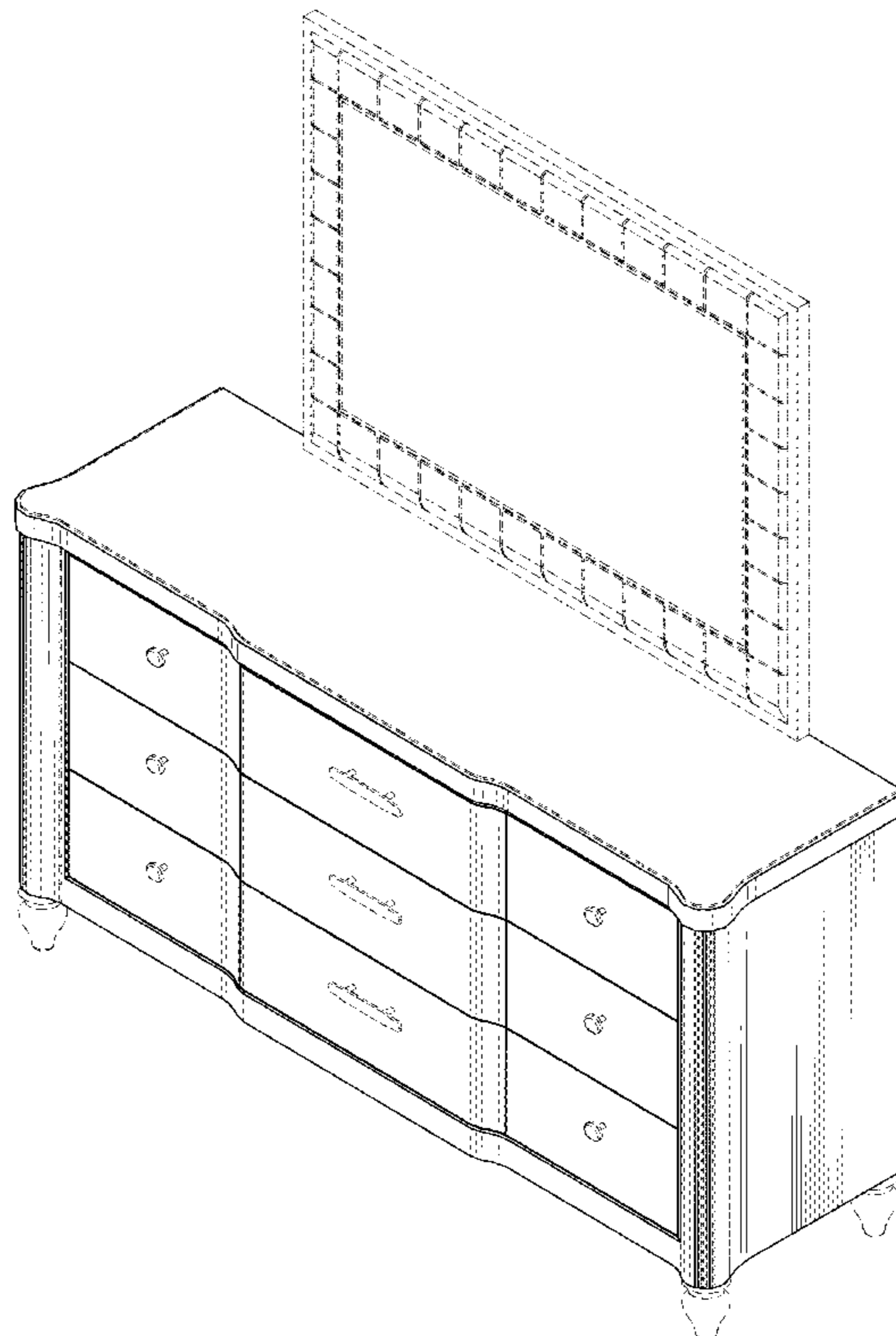
(56) **References Cited**

The evenly dashed broken lines of the various figures of the dresser are directed to the environment and are for illustrative purposes only; the evenly dashed broken lines form no part of the claimed design.

U.S. PATENT DOCUMENTS

D452,088 S * 12/2001 Hokanson D6/668.2
D459,615 S * 7/2002 Stanton D6/668.2

1 Claim, 5 Drawing Sheets



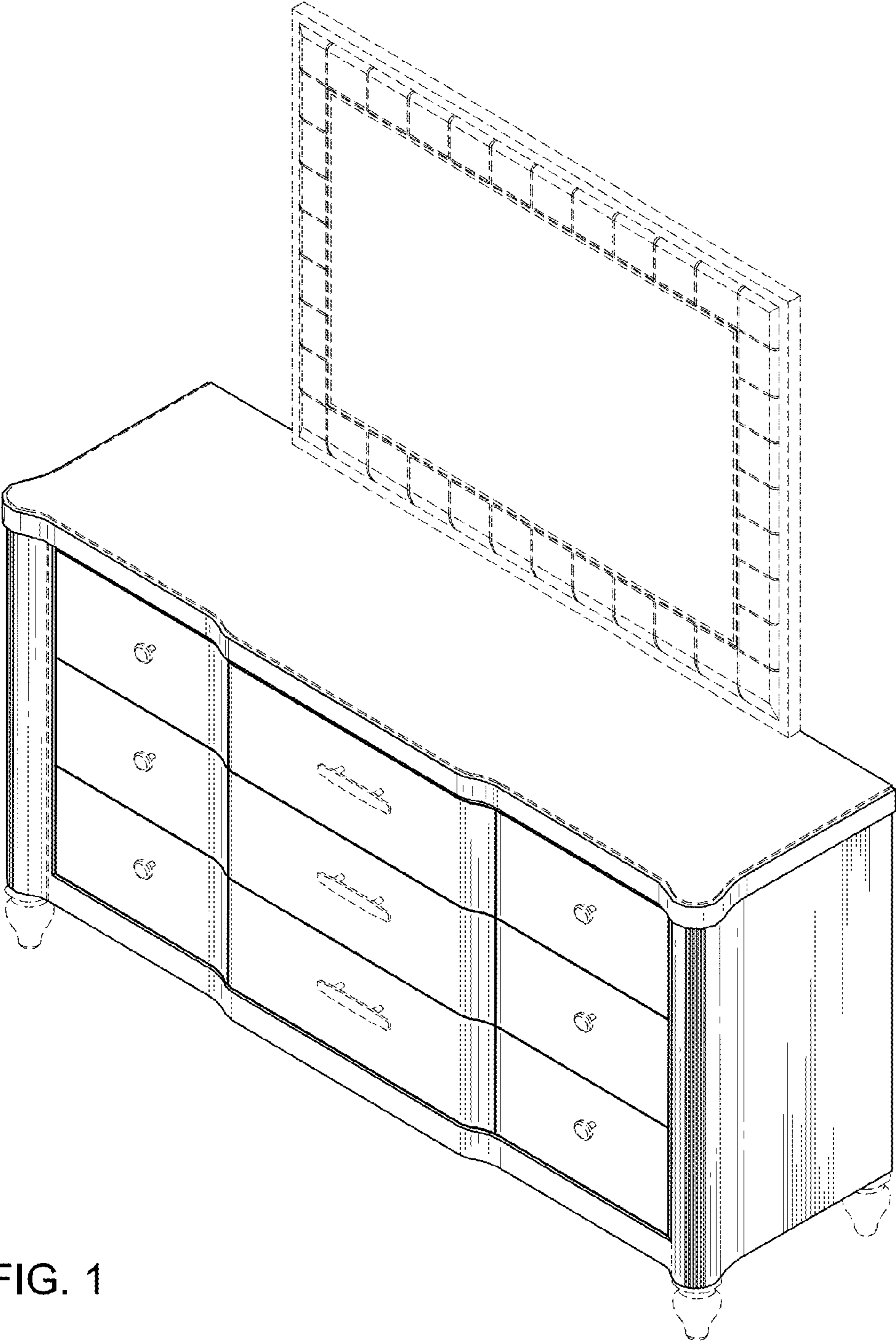


FIG. 1

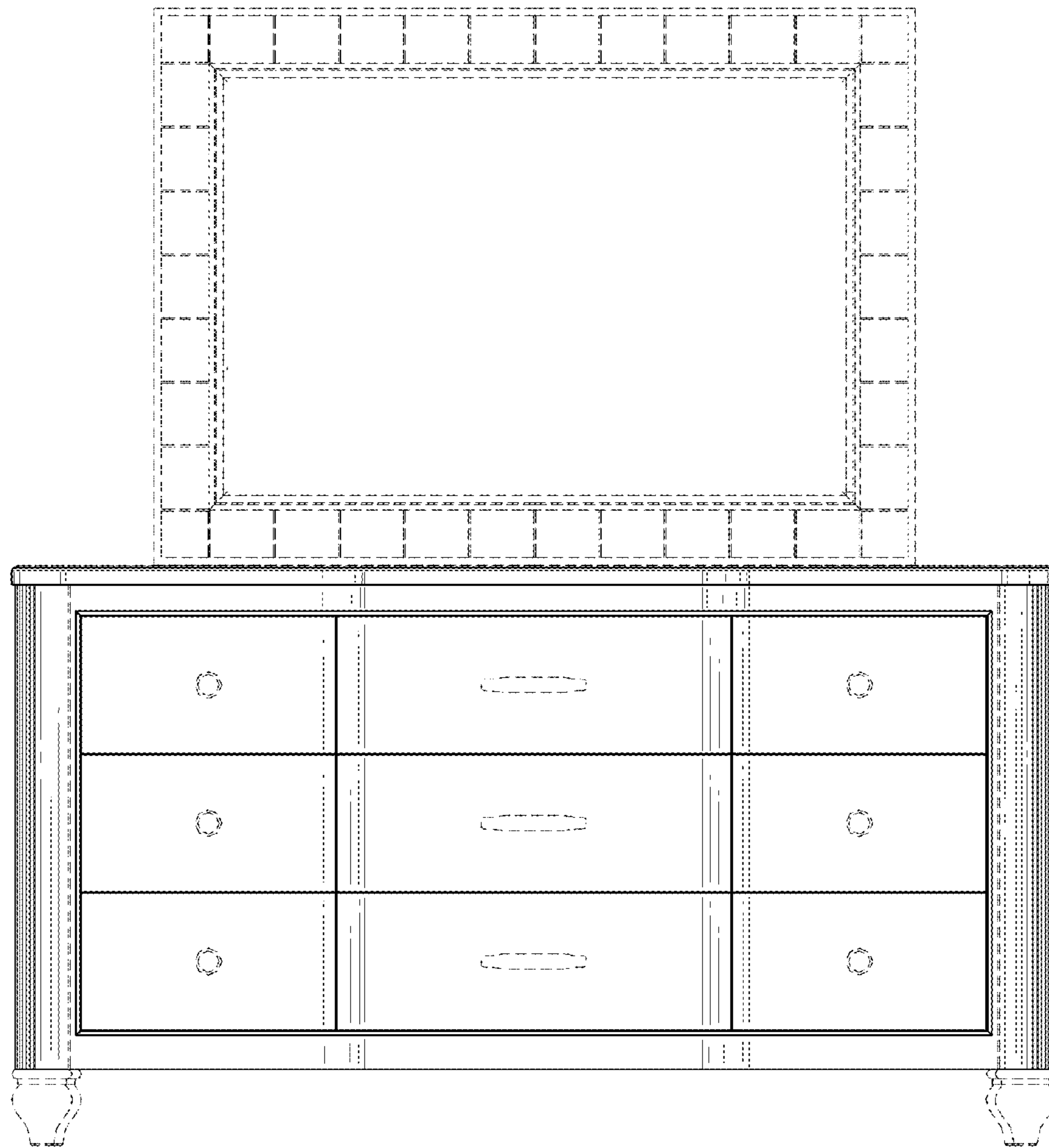


FIG. 2

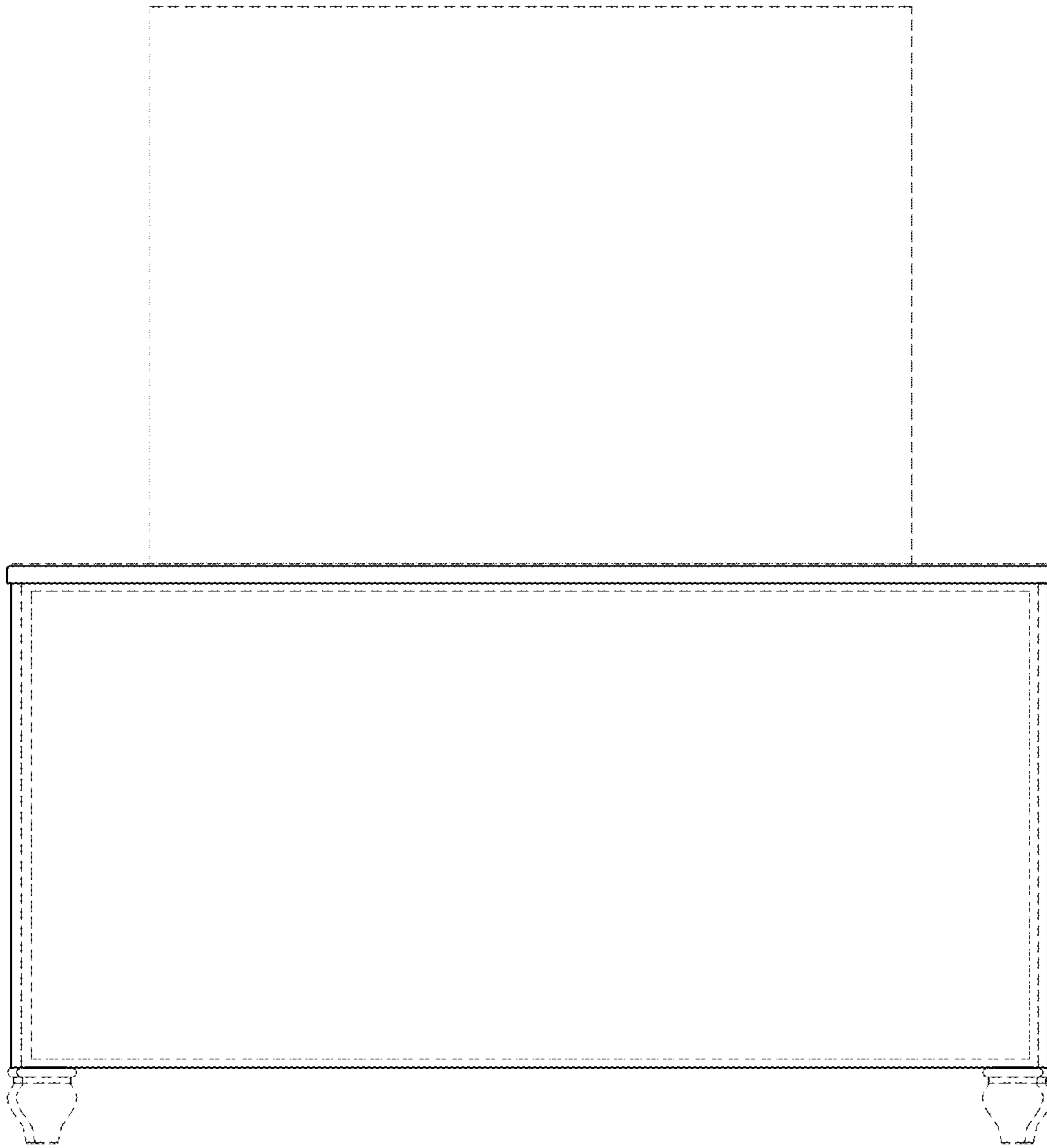


FIG. 3

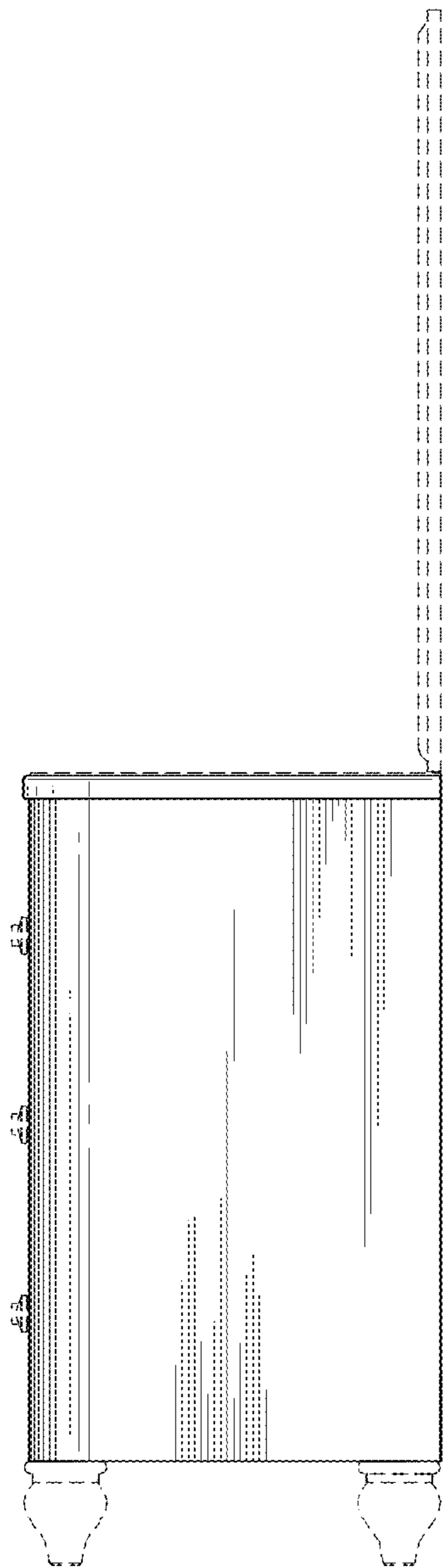


FIG. 4

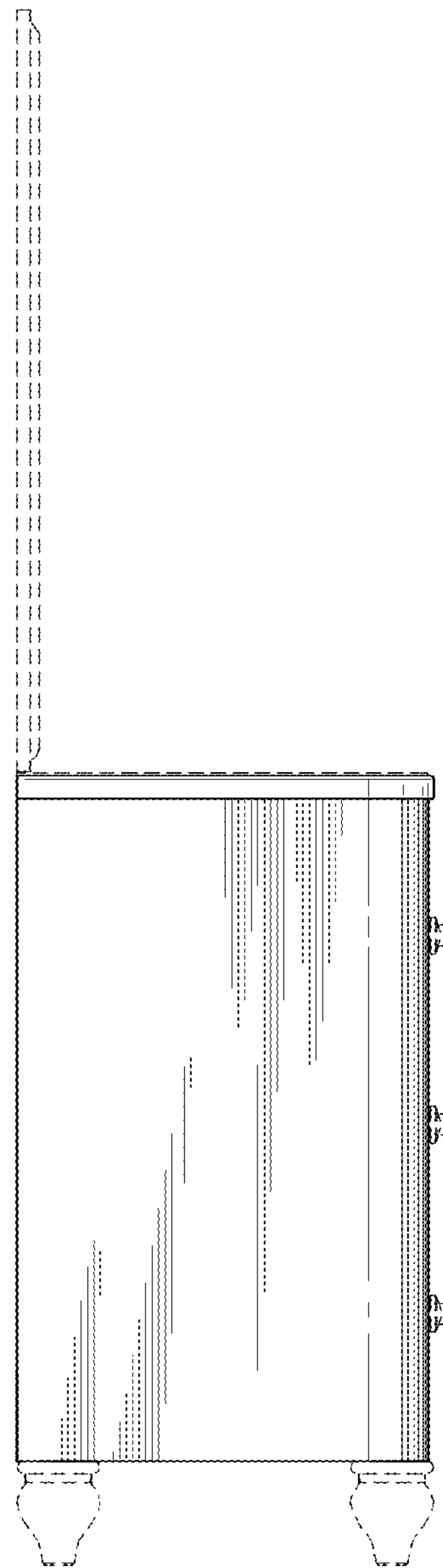


FIG. 5

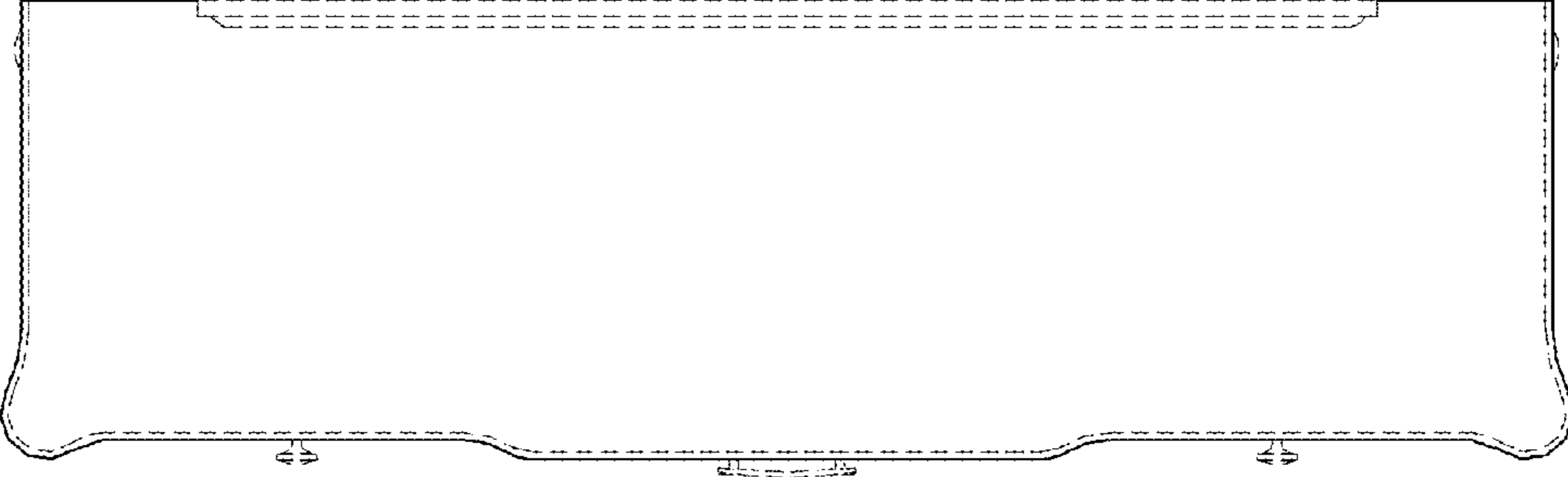


FIG. 6

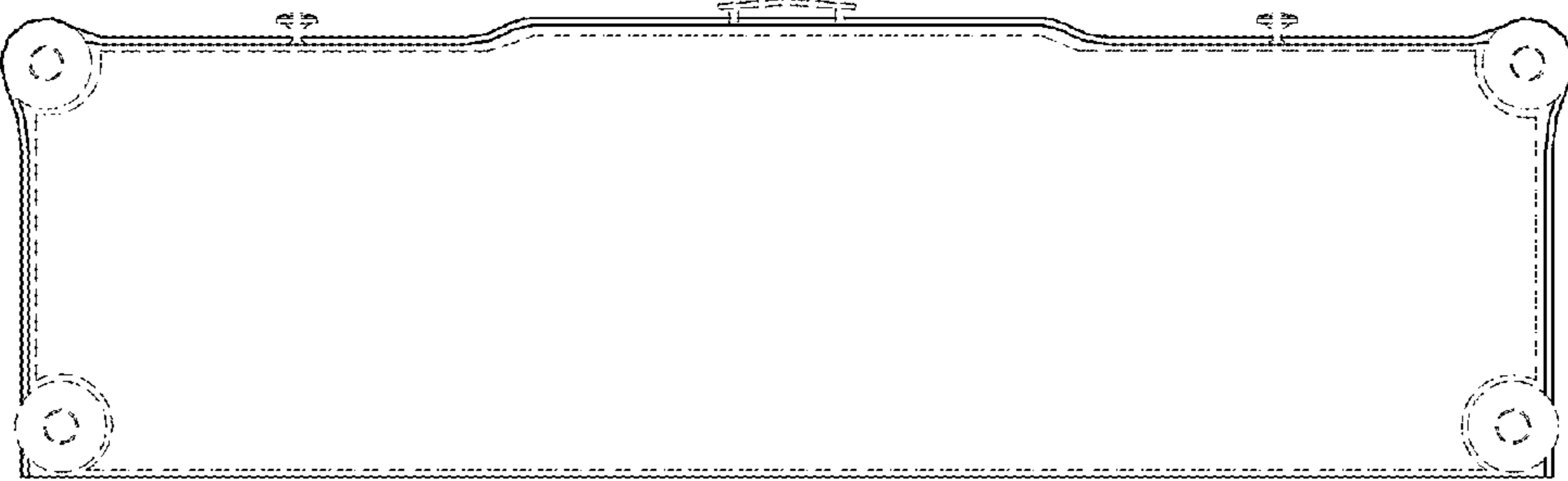


FIG. 7