



US00D738140S

(12) **United States Design Patent**
Bartelmuss

(10) **Patent No.:** **US D738,140 S**
(45) **Date of Patent:** **** Sep. 8, 2015**

- (54) **KIOSK**
- (71) Applicant: **HBT Energietechnik GmbH**,
Judenburg (AT)
- (72) Inventor: **Heinz Bartelmuss**, Teufenbach (AT)
- (73) Assignee: **HBT ENERGIETECHNIK GMBH**,
Judenburg (AT)
- (**) Term: **14 Years**
- (21) Appl. No.: **29/469,334**
- (22) Filed: **Oct. 9, 2013**
- (51) **LOC (10) Cl.** **06-04**
- (52) **U.S. Cl.**
USPC **D6/664**
- (58) **Field of Classification Search**
USPC D3/312; D6/349, 407, 629, 657, 662,
D6/662.1, 664, 671.1, 671.2, 675, 675.1;
D7/610; D14/302; D21/330; D25/16
CPC A47B 17/04; A47B 47/03; A47B 67/005;
A47B 83/00; A47C 3/04; A47C 19/22;
A47F 3/00; A47F 3/005; E04B 1/3483;
E04H 1/1222; G06Q 20/10; G06Q 20/18;
G06Q 20/20; G06Q 20/123; G06Q 30/02;
G06Q 30/06
See application file for complete search history.

(56) **References Cited**

U.S. PATENT DOCUMENTS

D167,622 S * 9/1952 Erickson D3/312
3,430,588 A * 3/1969 Heyer 108/91

(Continued)

Primary Examiner — Ricky Pham

(74) *Attorney, Agent, or Firm* — Fitch, Even, Tabin & Flannery LLP

(57) **CLAIM**

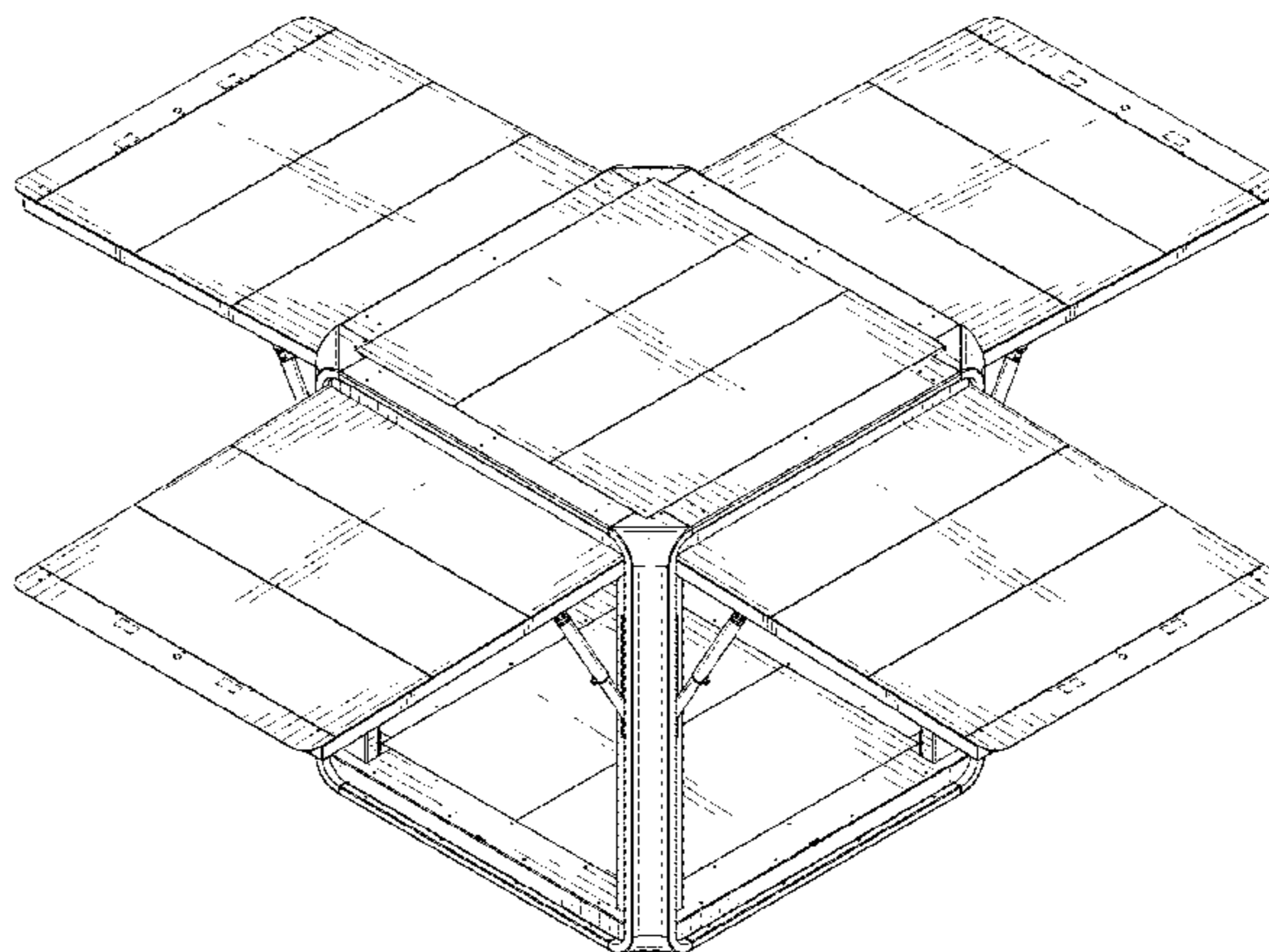
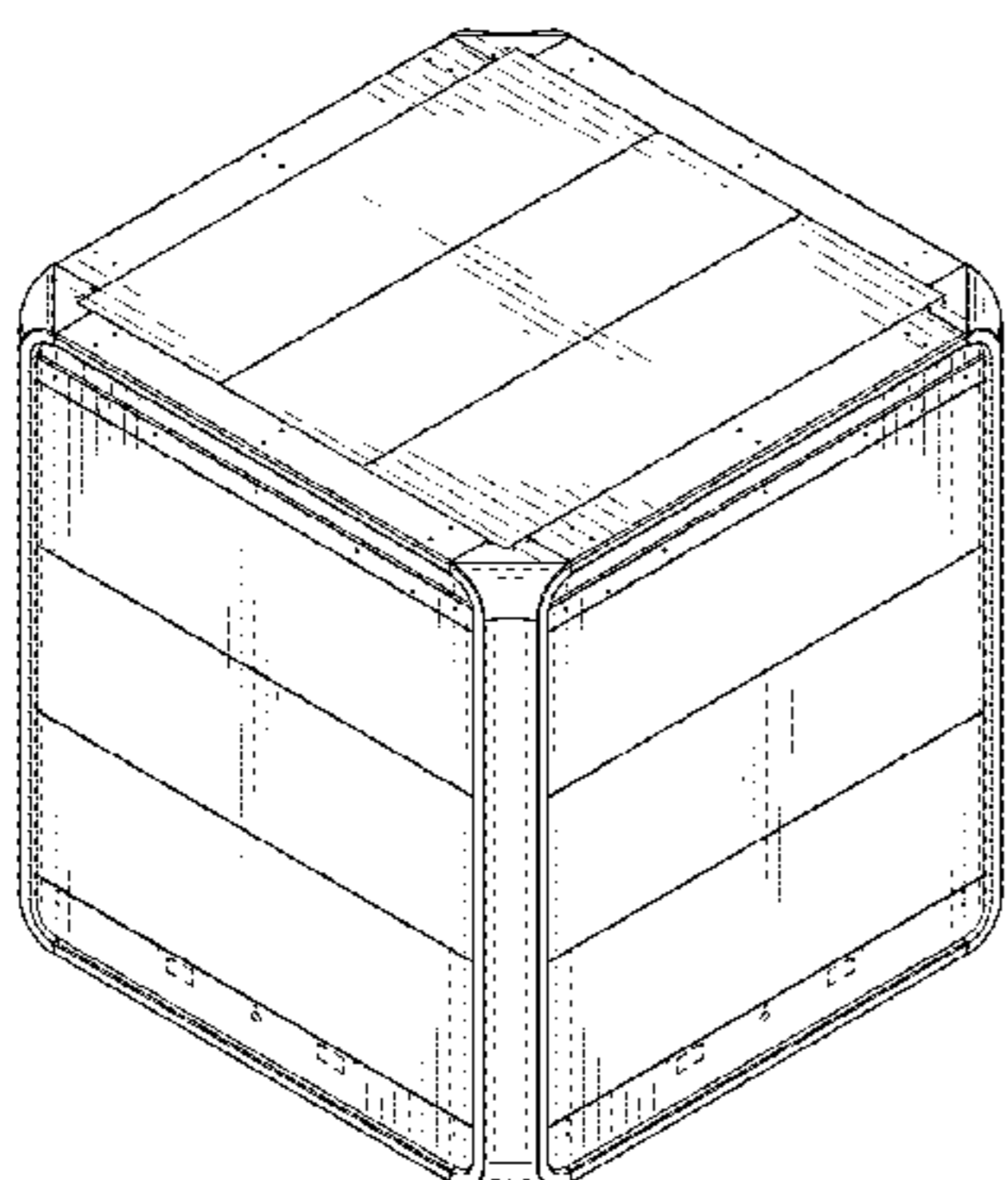
I claim the ornamental design for a kiosk, as shown and described.

DESCRIPTION

FIG. 1 is a perspective view of a kiosk in accordance with a first embodiment of my new design in a closed configuration; FIG. 2 is a front elevational view thereof, the rear elevational, right side elevational, and left side elevational views being identical thereto;

FIG. 3 is a top plan view thereof;
FIG. 4 is a bottom plan view thereof;
FIG. 5 is a perspective view of the kiosk of FIG. 1 in an open configuration;
FIG. 6 is a front elevational view thereof, the rear elevational, right side elevational, and left side elevational views being identical thereto;
FIG. 7 is a top plan view thereof;
FIG. 8 is a bottom plan view thereof;
FIG. 9 is a perspective view of a kiosk in accordance with a second embodiment of my new design in a closed configuration;
FIG. 10 is a front elevational view thereof, the rear elevational, right side elevational, and left side elevational views being identical thereto;
FIG. 11 is a top plan view thereof;
FIG. 12 is a bottom plan view thereof;
FIG. 13 is a perspective view of the kiosk of FIG. 9 in an open configuration;
FIG. 14 is a front elevational view thereof, the rear elevational, right side elevational, and left side elevational views being identical thereto;
FIG. 15 is a top plan view thereof;
FIG. 16 is a bottom plan view thereof;
FIG. 17 is a perspective view of a kiosk in accordance with a third embodiment of my new design in a closed configuration;
FIG. 18 is a front elevational view thereof, the rear elevational view being identical thereto;
FIG. 19 is a right side elevational view thereof, the left side elevational view being identical thereto;
FIG. 20 is a top plan view thereof;
FIG. 21 is a bottom plan view thereof;
FIG. 22 is a perspective view of the kiosk of FIG. 17 in an open configuration;
FIG. 23 is a front elevational view thereof, the rear elevational view being identical thereto;
FIG. 24 is a right side elevational view thereof, the left side elevational view being identical thereto;
FIG. 25 is a top plan view thereof;
FIG. 26 is a bottom plan view thereof; and,
FIG. 27 is a perspective view of the kiosk of FIG. 17 in a partially open configuration.
The broken lines depict unclaimed environmental subject matter and form no part of the claimed design.

1 Claim, 19 Drawing Sheets



(56)

References Cited

U.S. PATENT DOCUMENTS

D256,534 S * 8/1980 Bugos D6/629
4,471,586 A * 9/1984 Shuch et al. 52/36.2
D313,077 S * 12/1990 Minarro D25/16
4,974,386 A * 12/1990 Eriksson et al. 52/282.3

D337,668 S * 7/1993 van der Molen D6/407
D365,729 S * 1/1996 Wold D7/610
D550,855 S * 9/2007 Tonella D25/16
D556,341 S * 11/2007 Jackson et al. D25/16
D610,818 S * 3/2010 Crane D6/349
D677,076 S * 3/2013 Olson D6/675

* cited by examiner

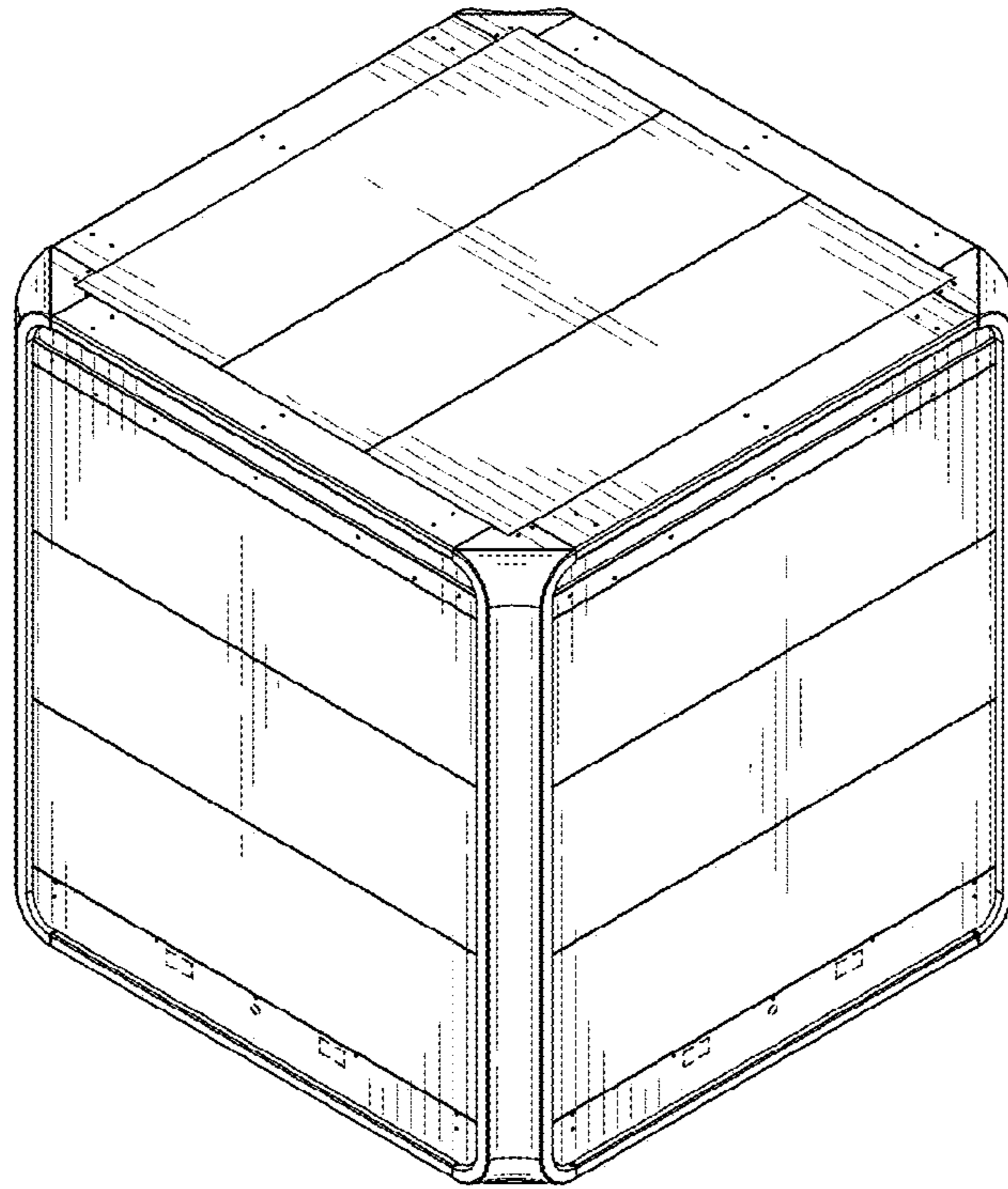


FIG. 1

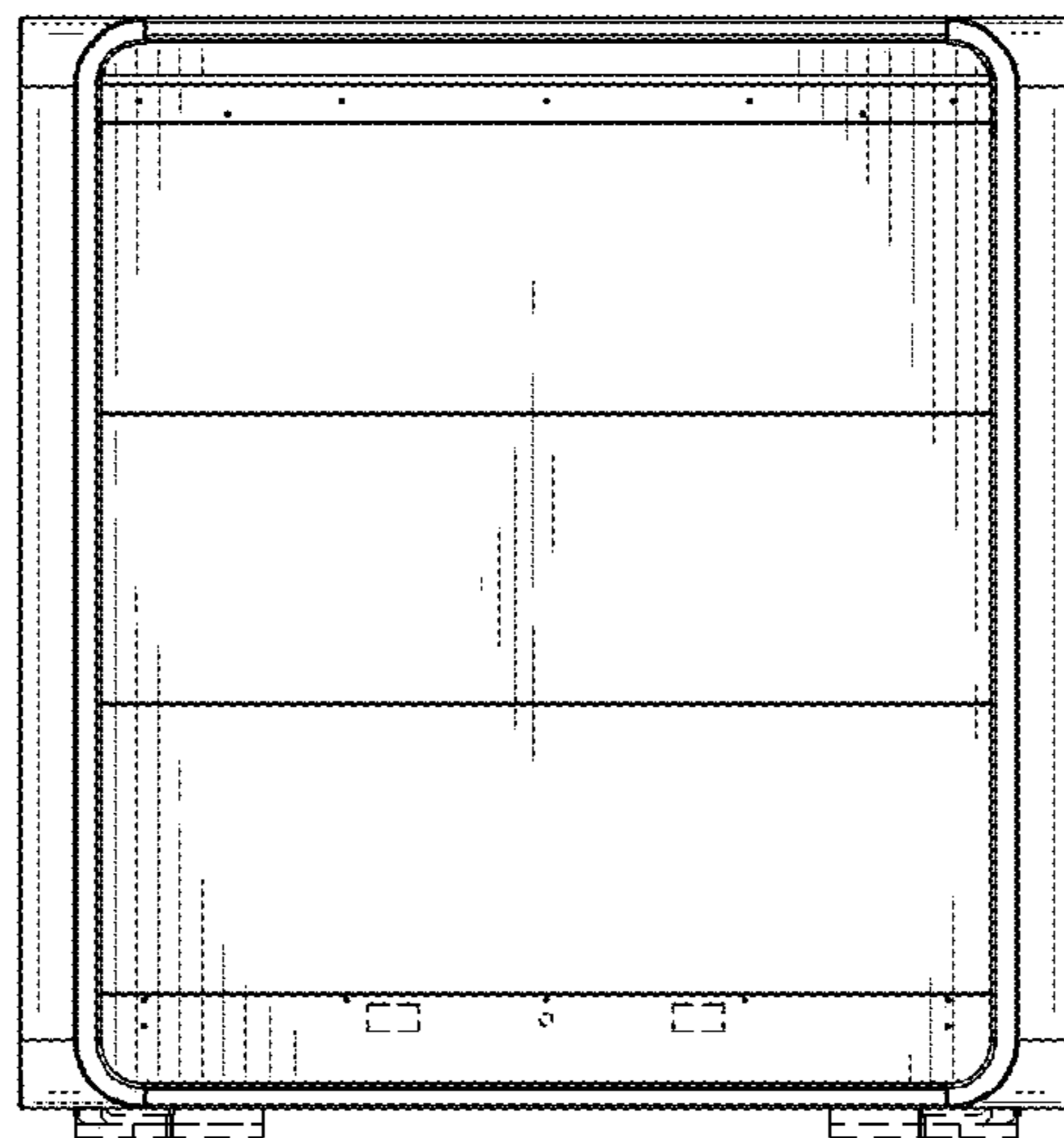


FIG. 2

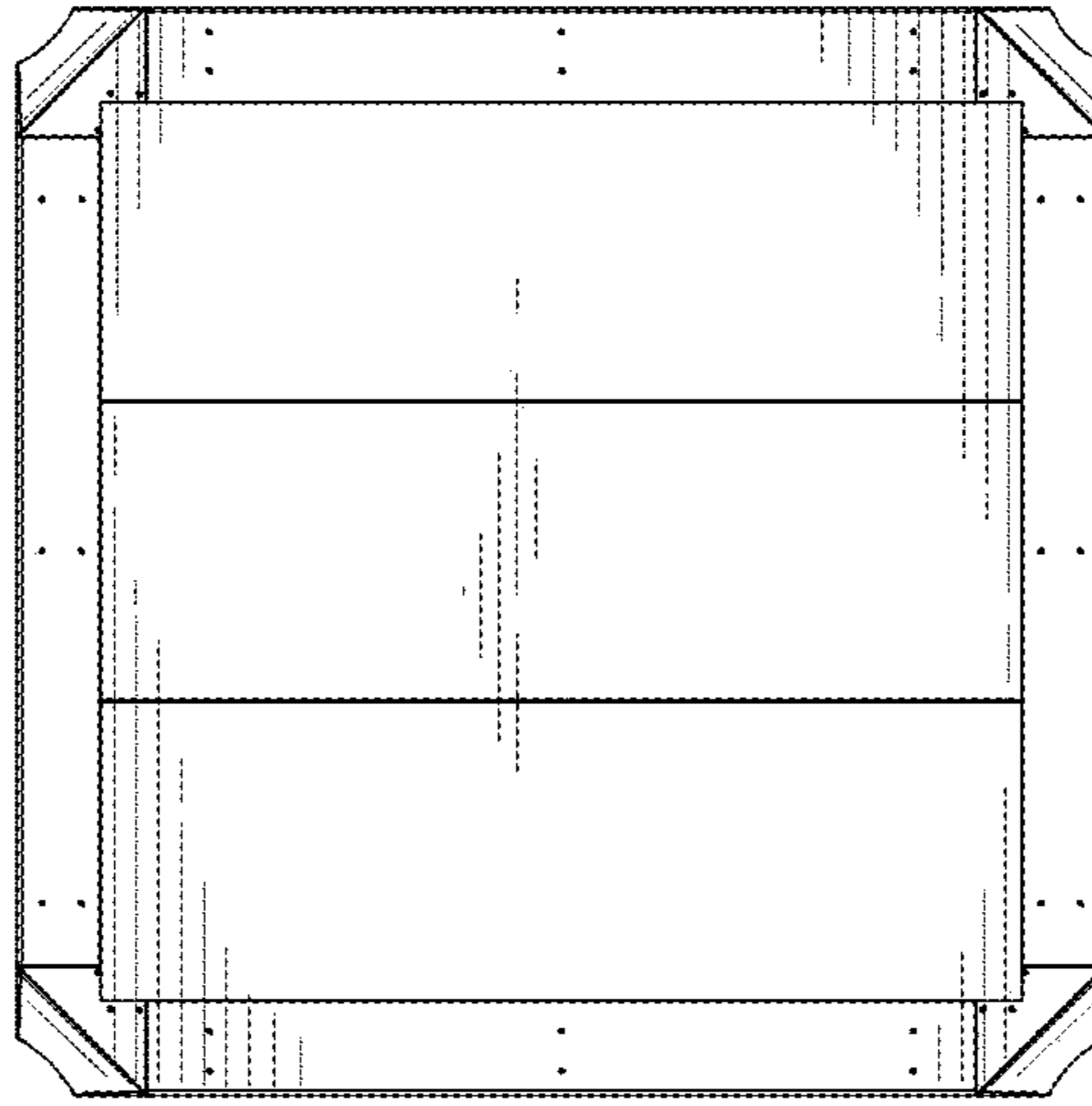


FIG. 3

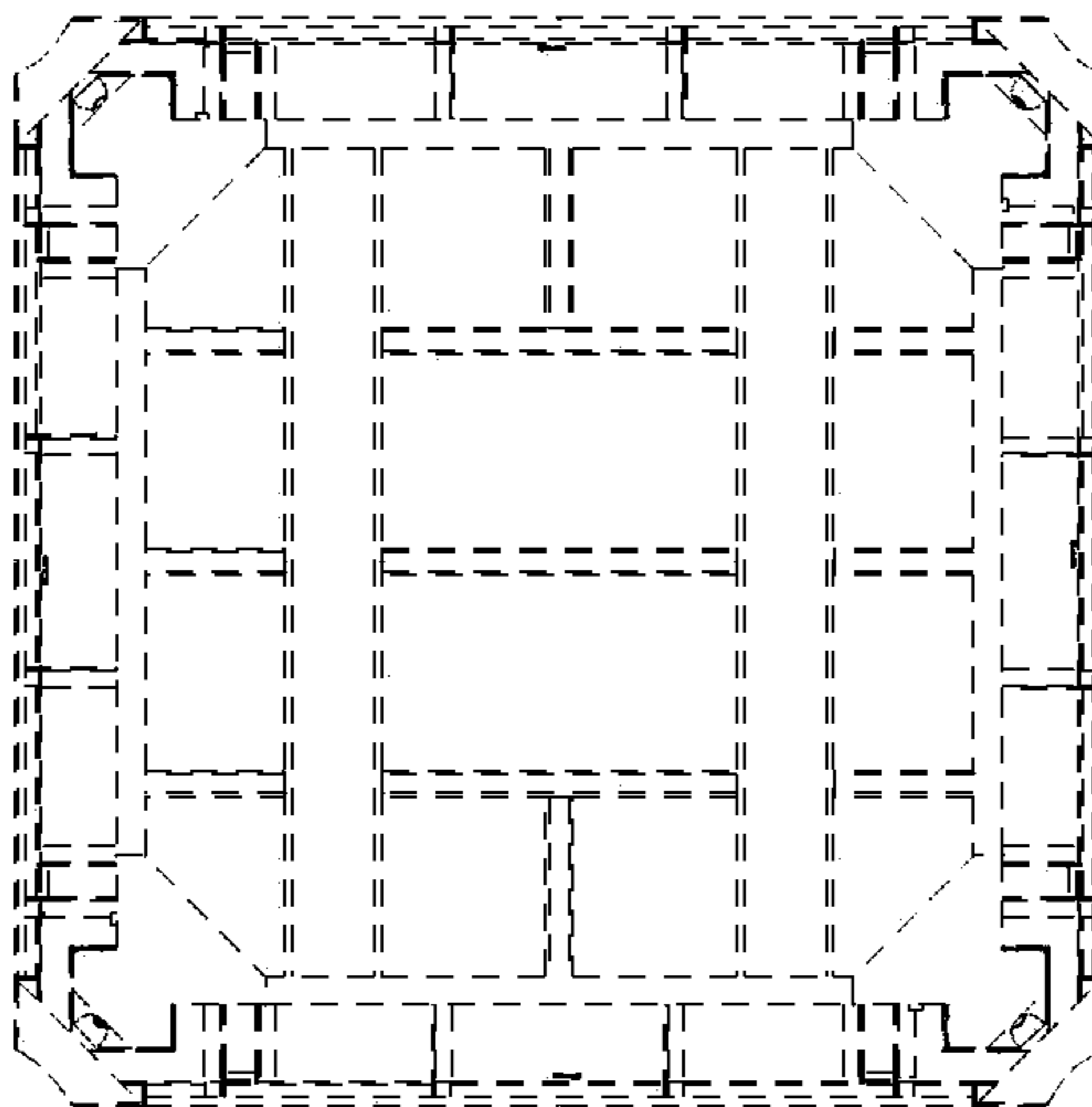


FIG. 4

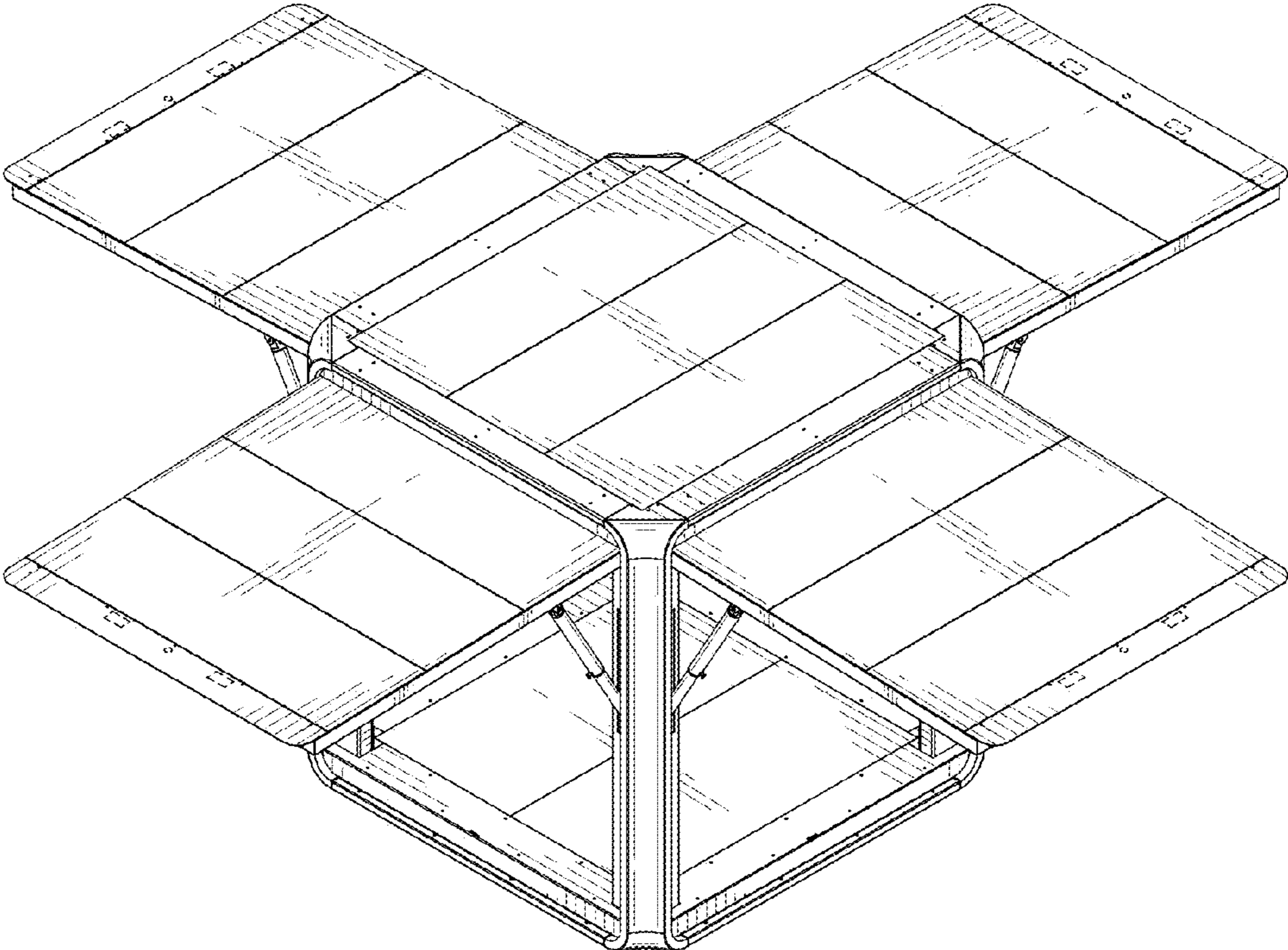


FIG. 5

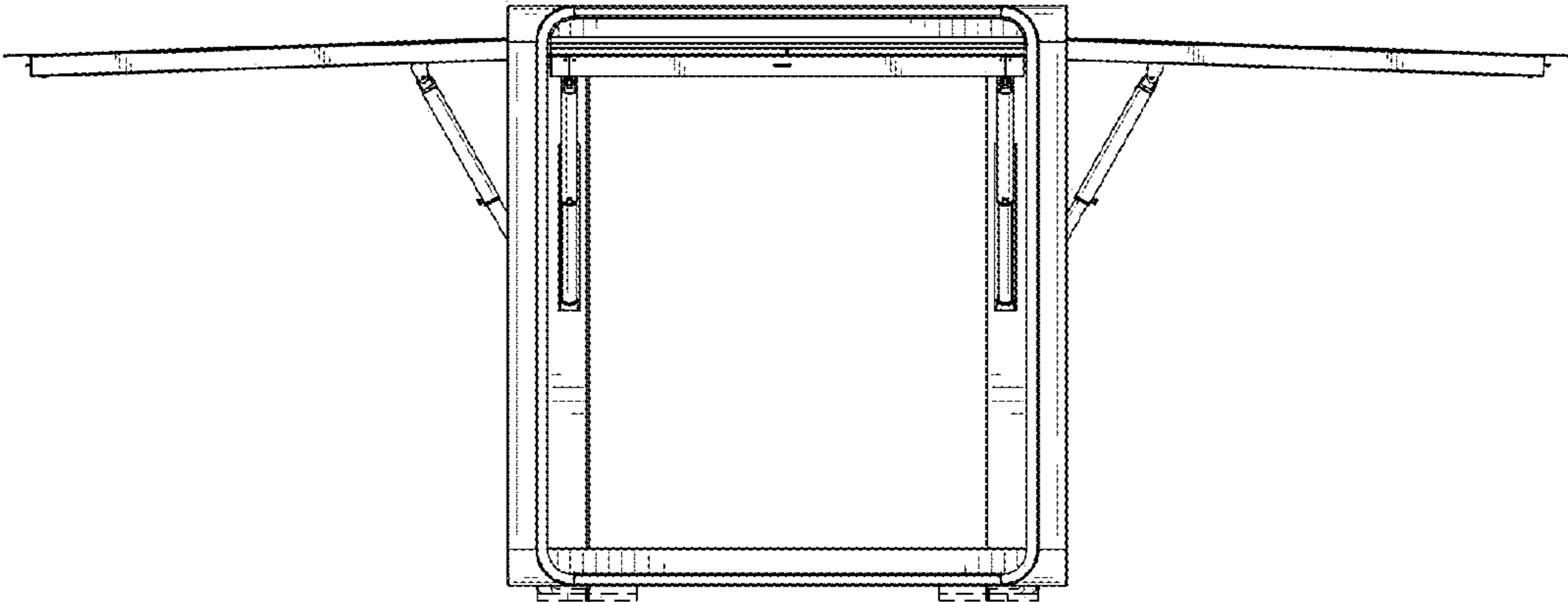


FIG. 6

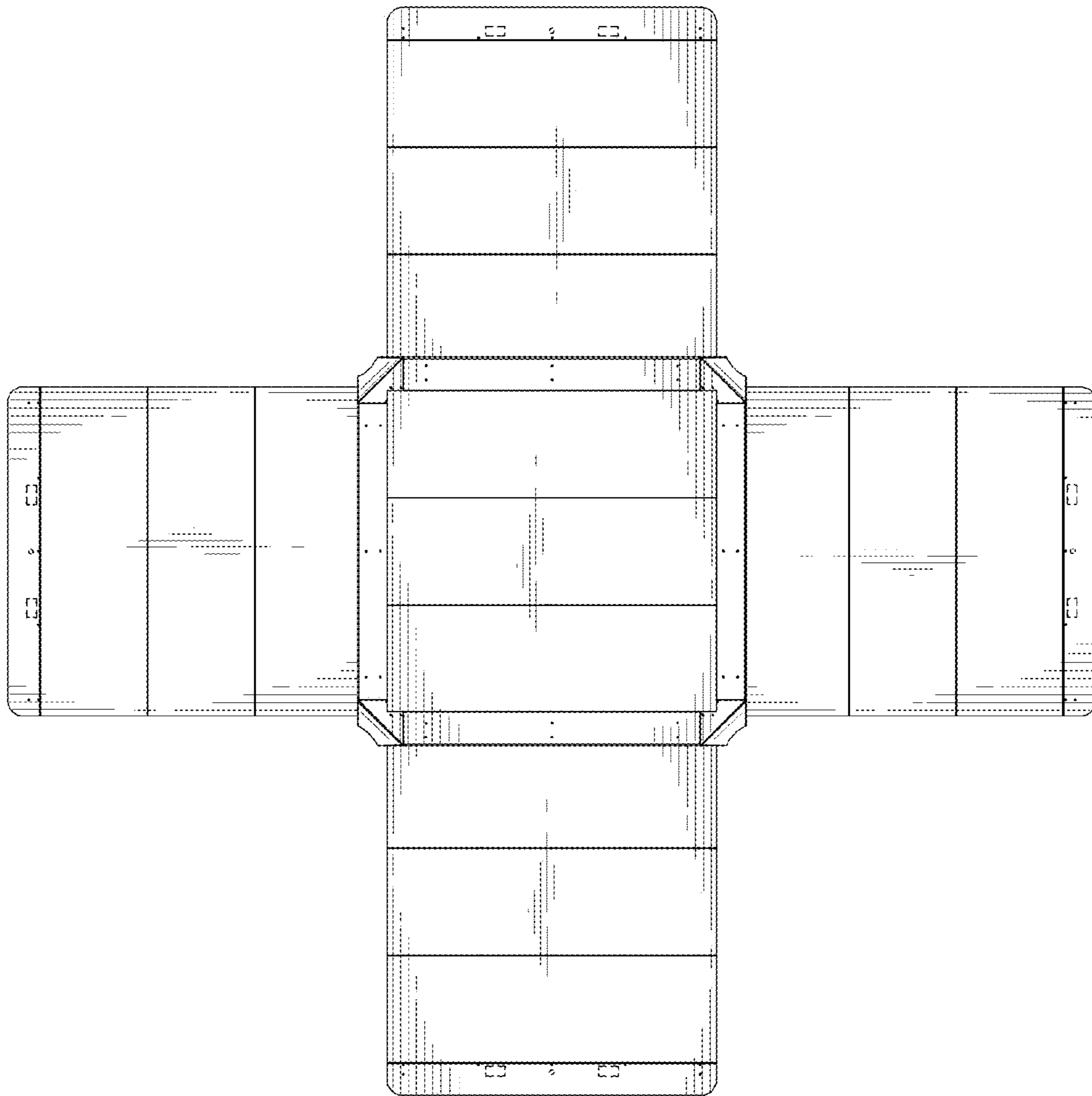


FIG. 7

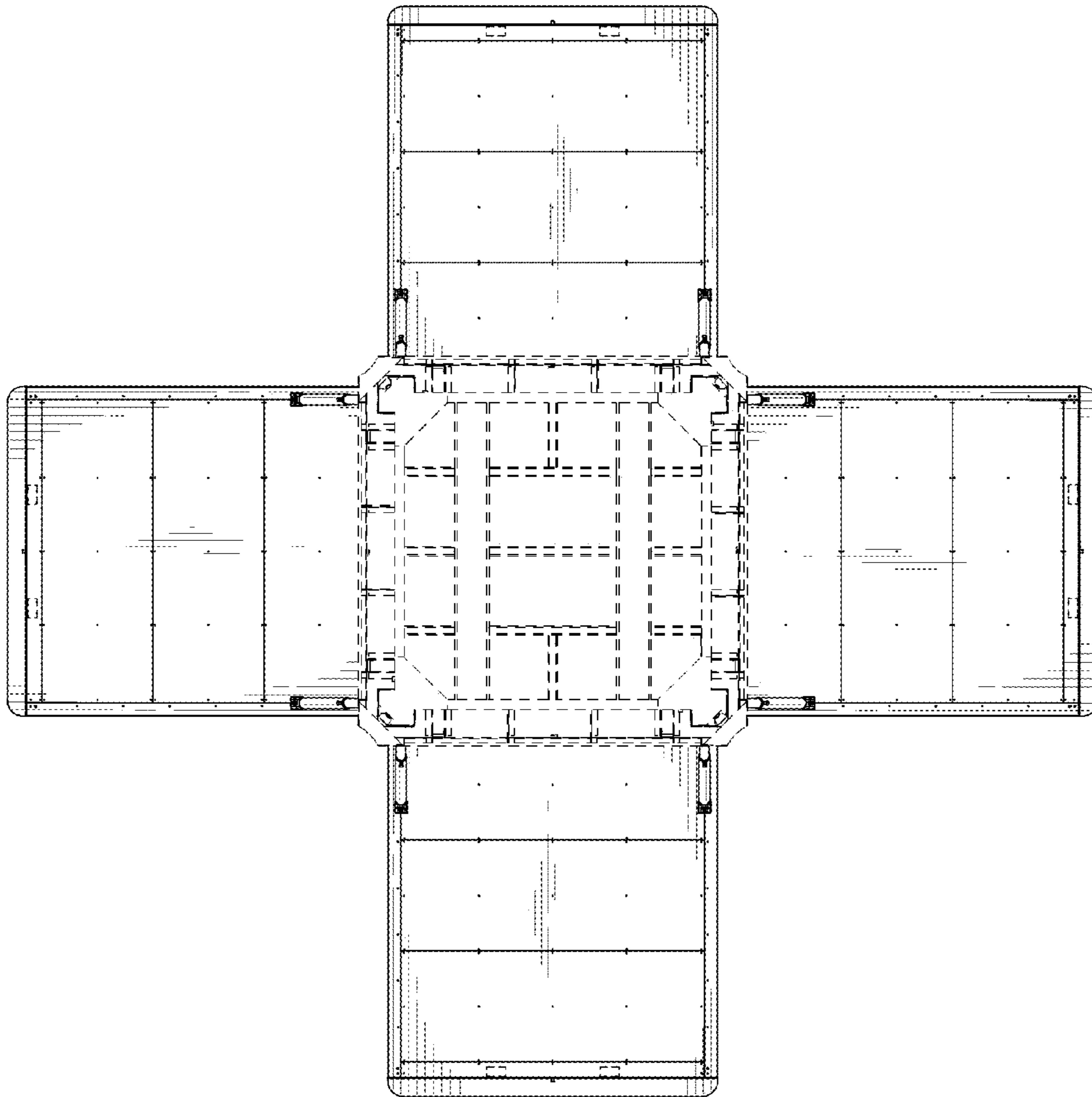


FIG. 8

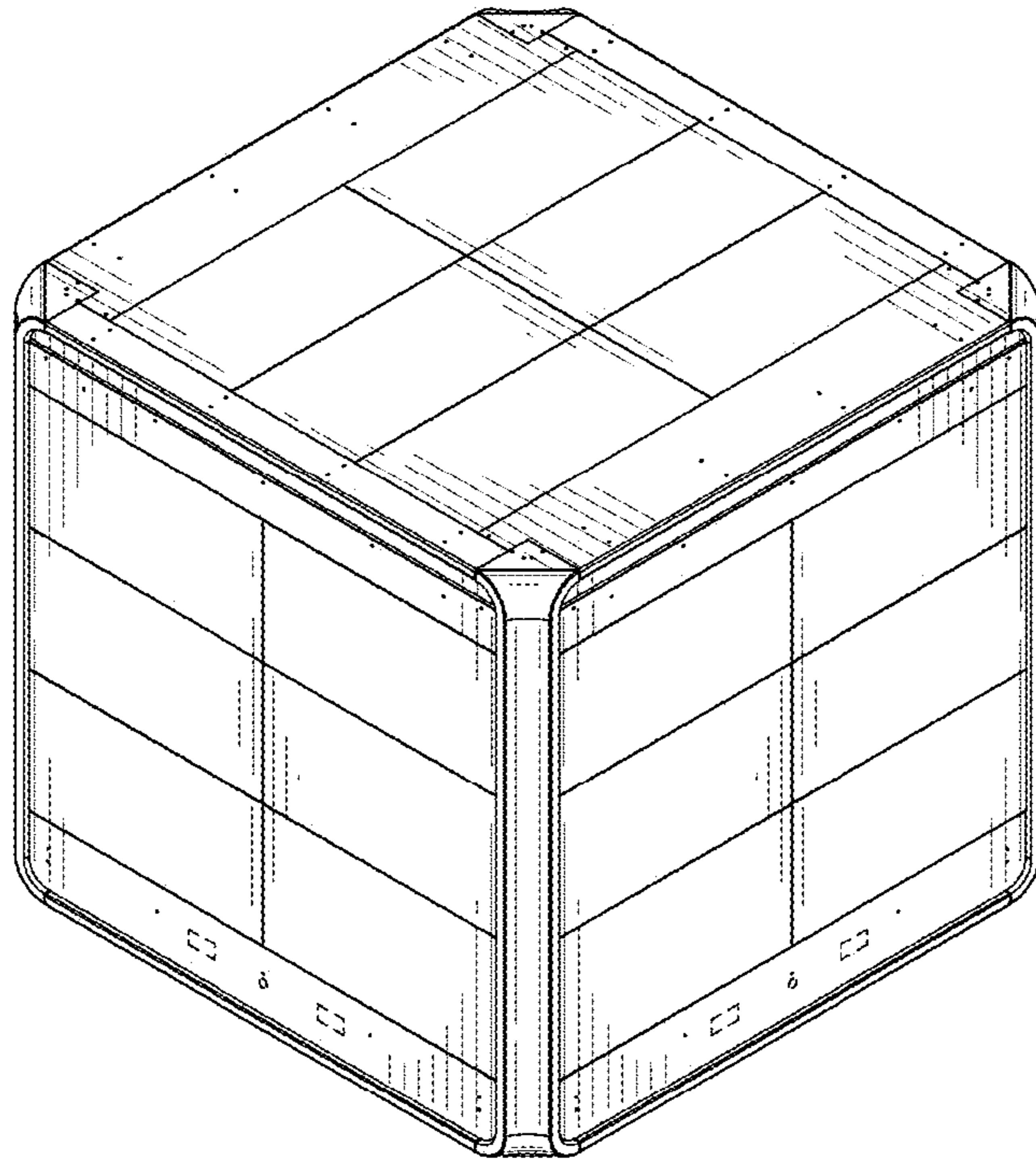


FIG. 9

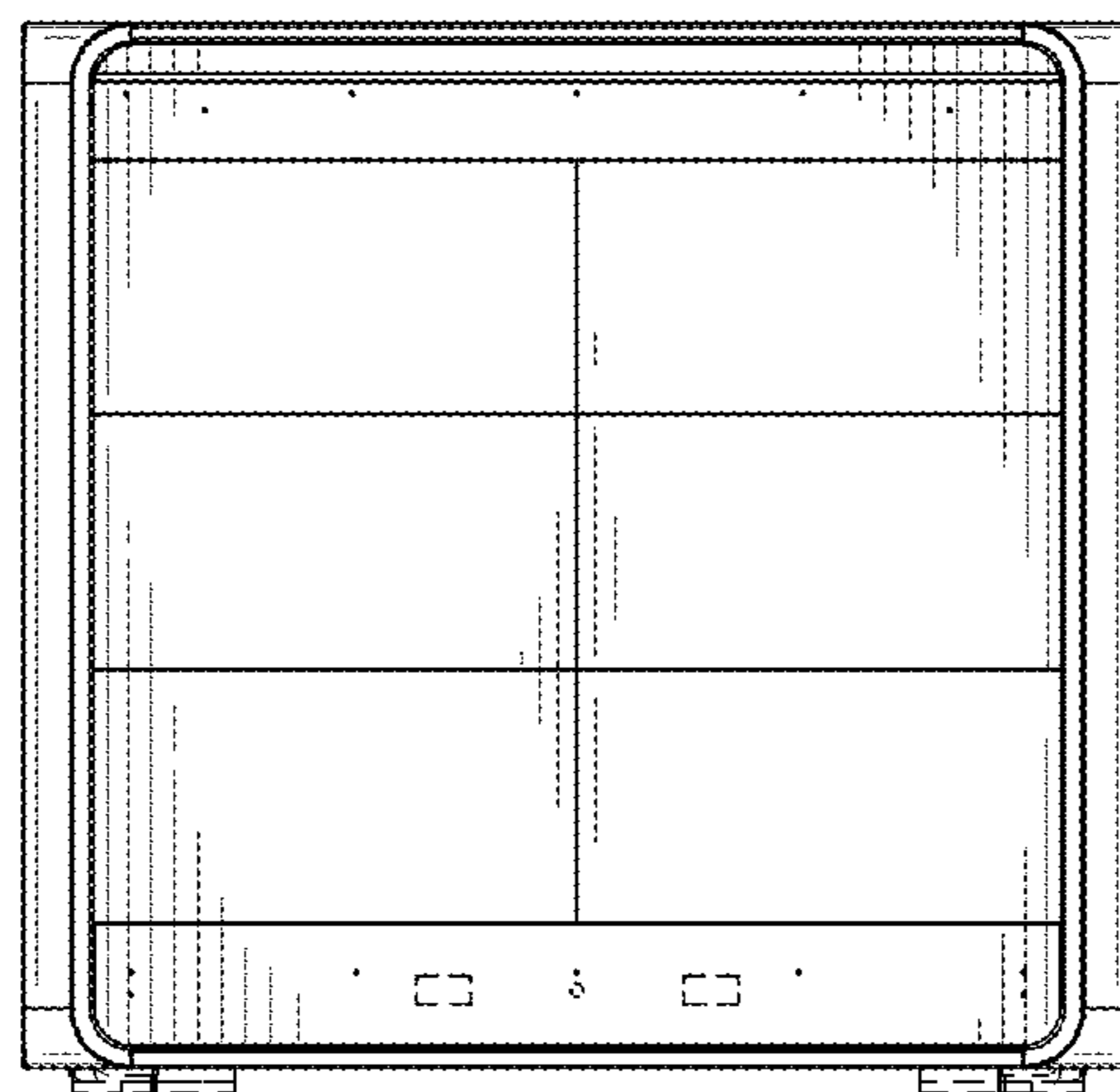


FIG. 10

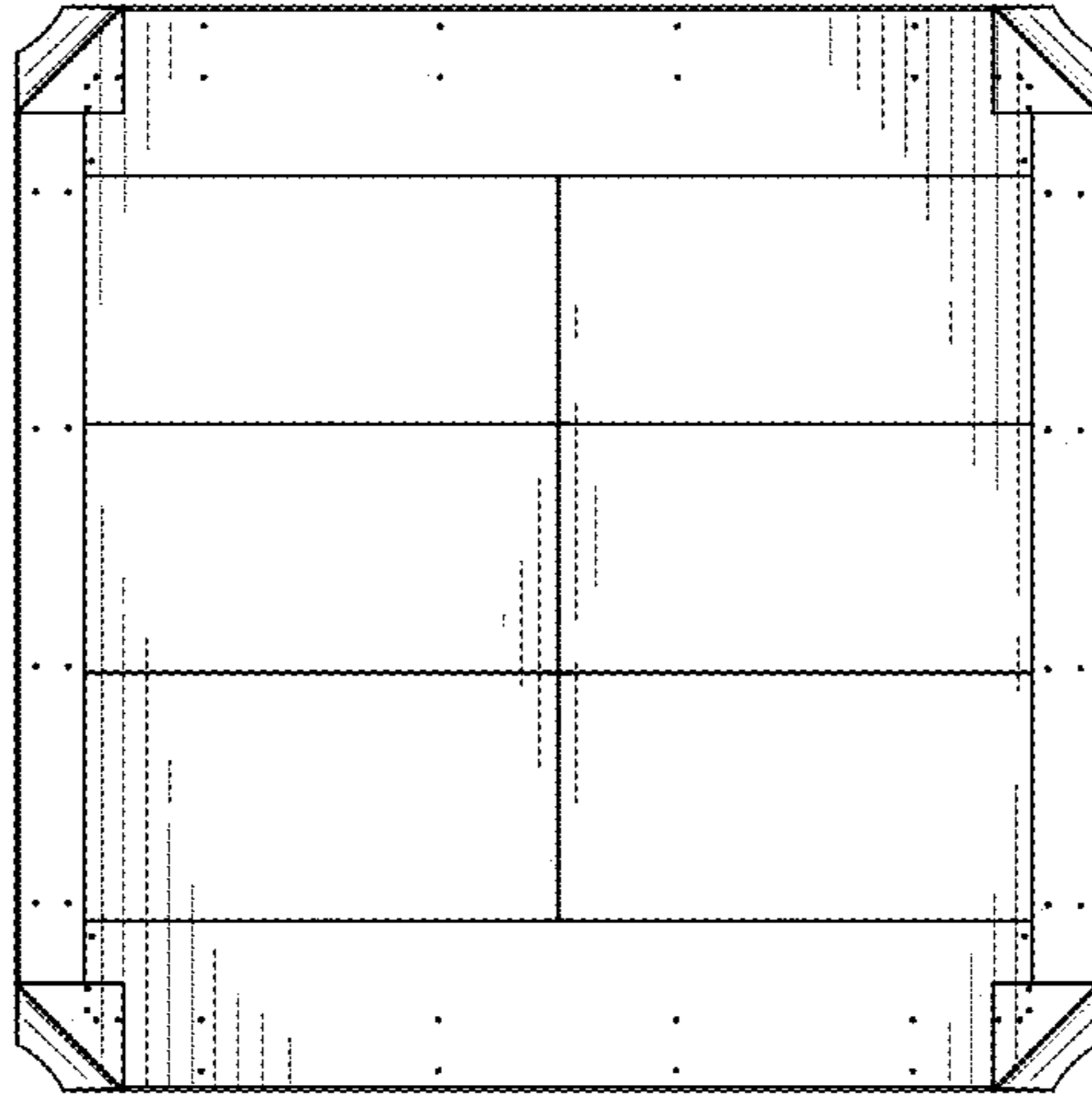


FIG. 11

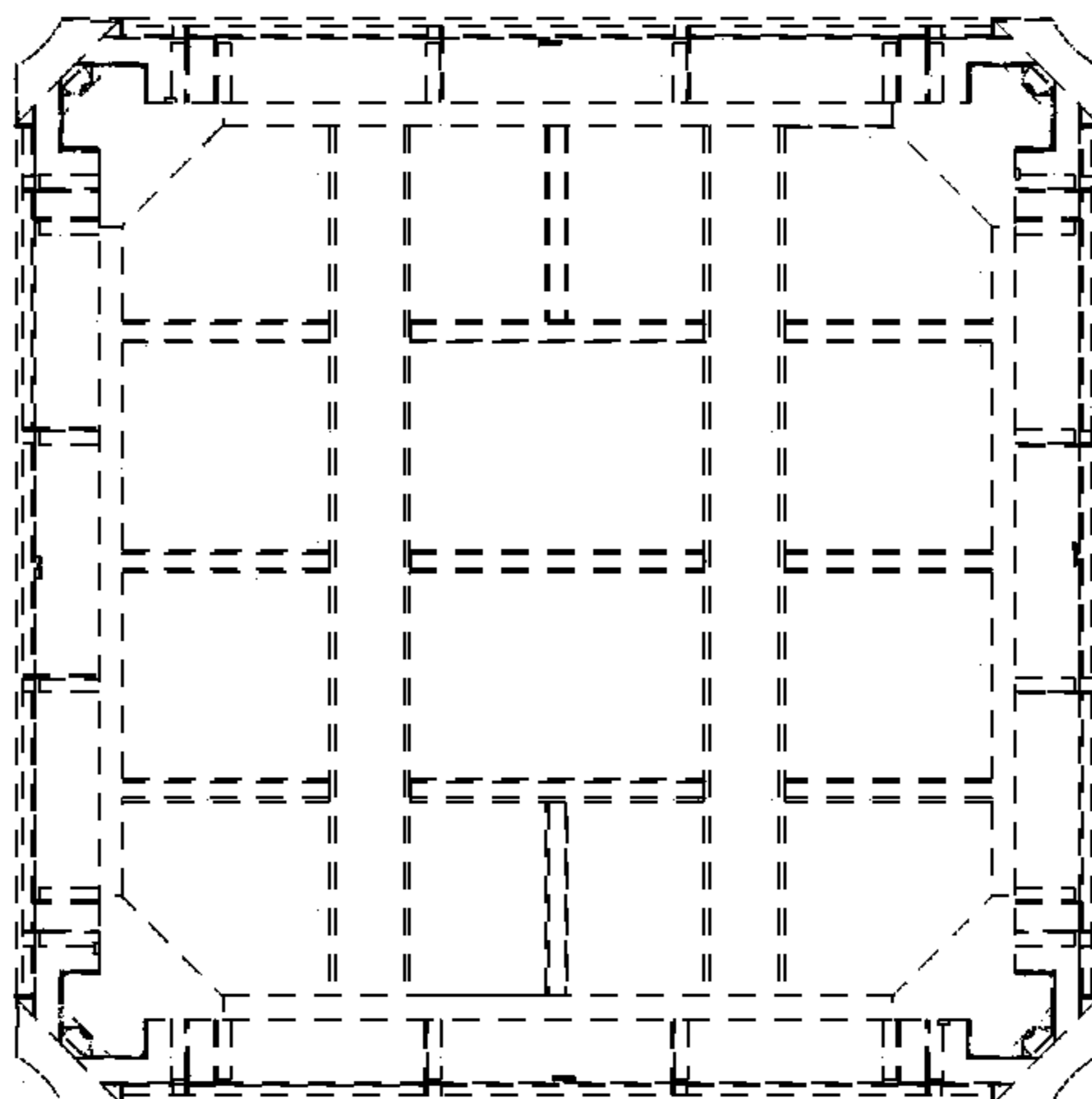


FIG. 12

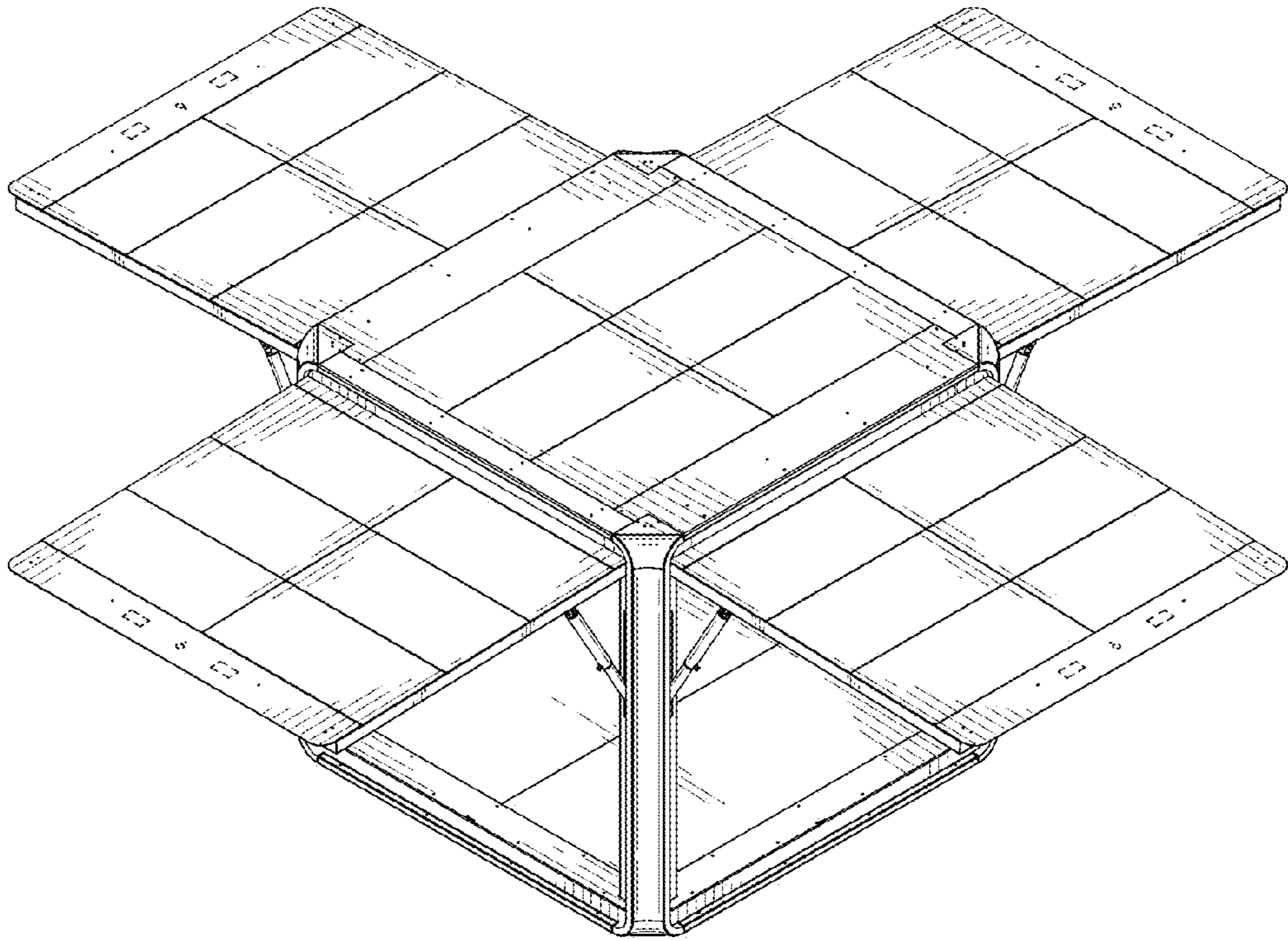


FIG. 13

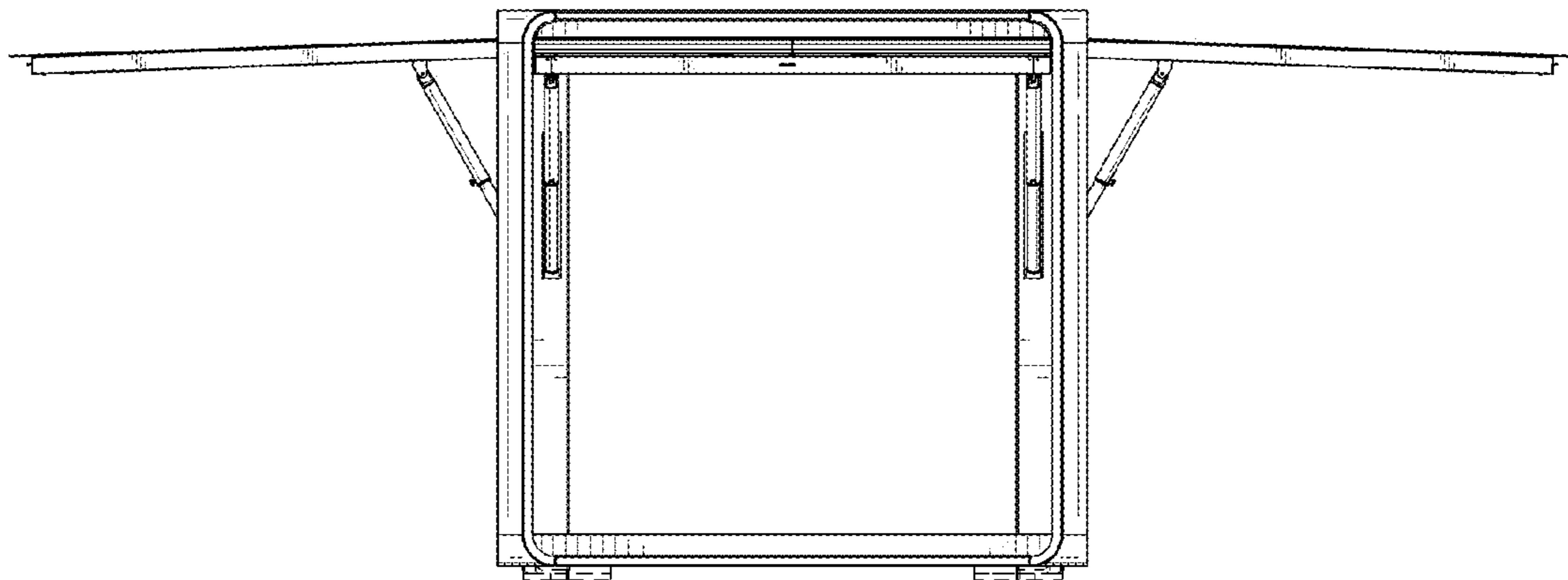


FIG. 14

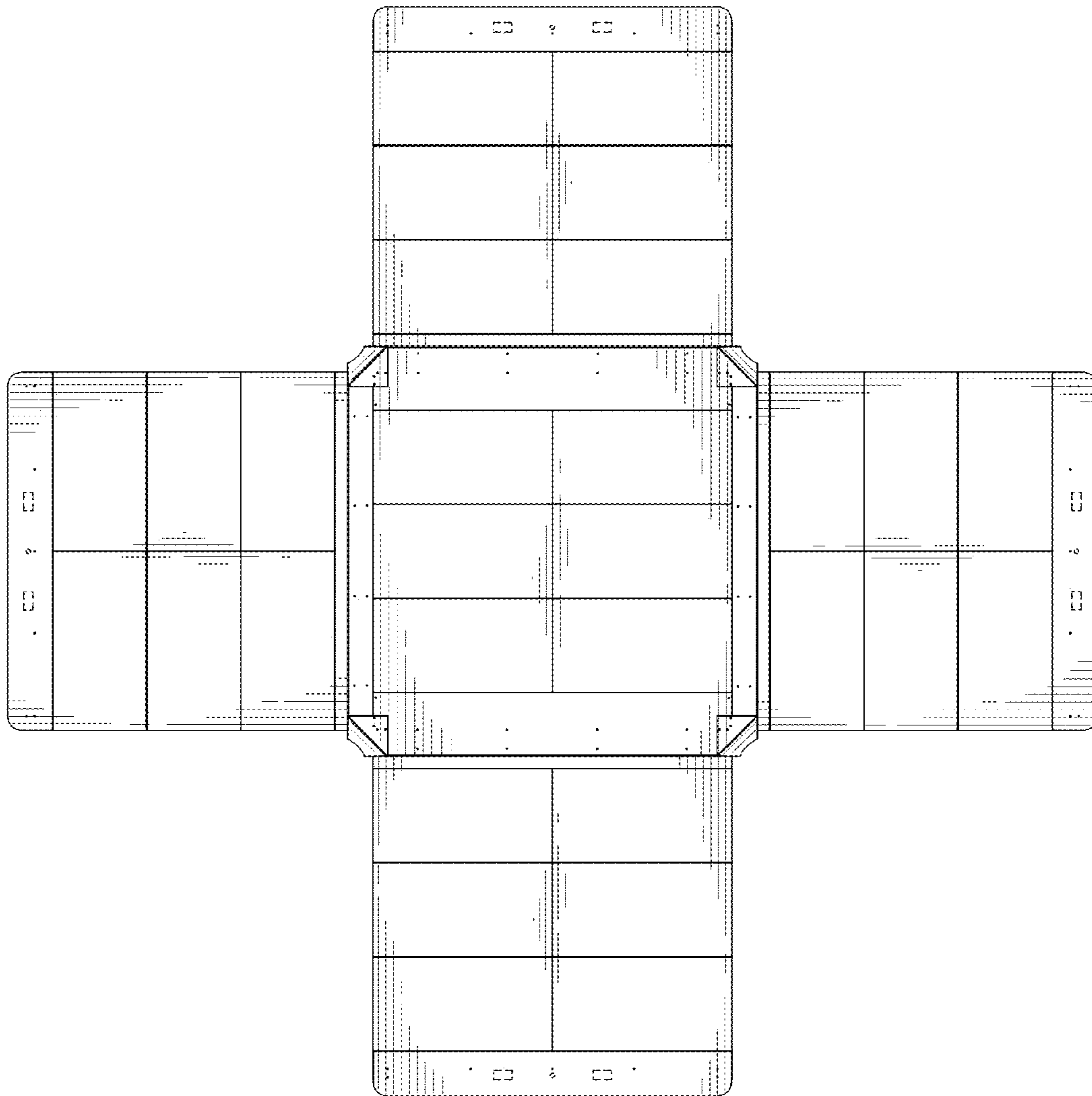


FIG. 15

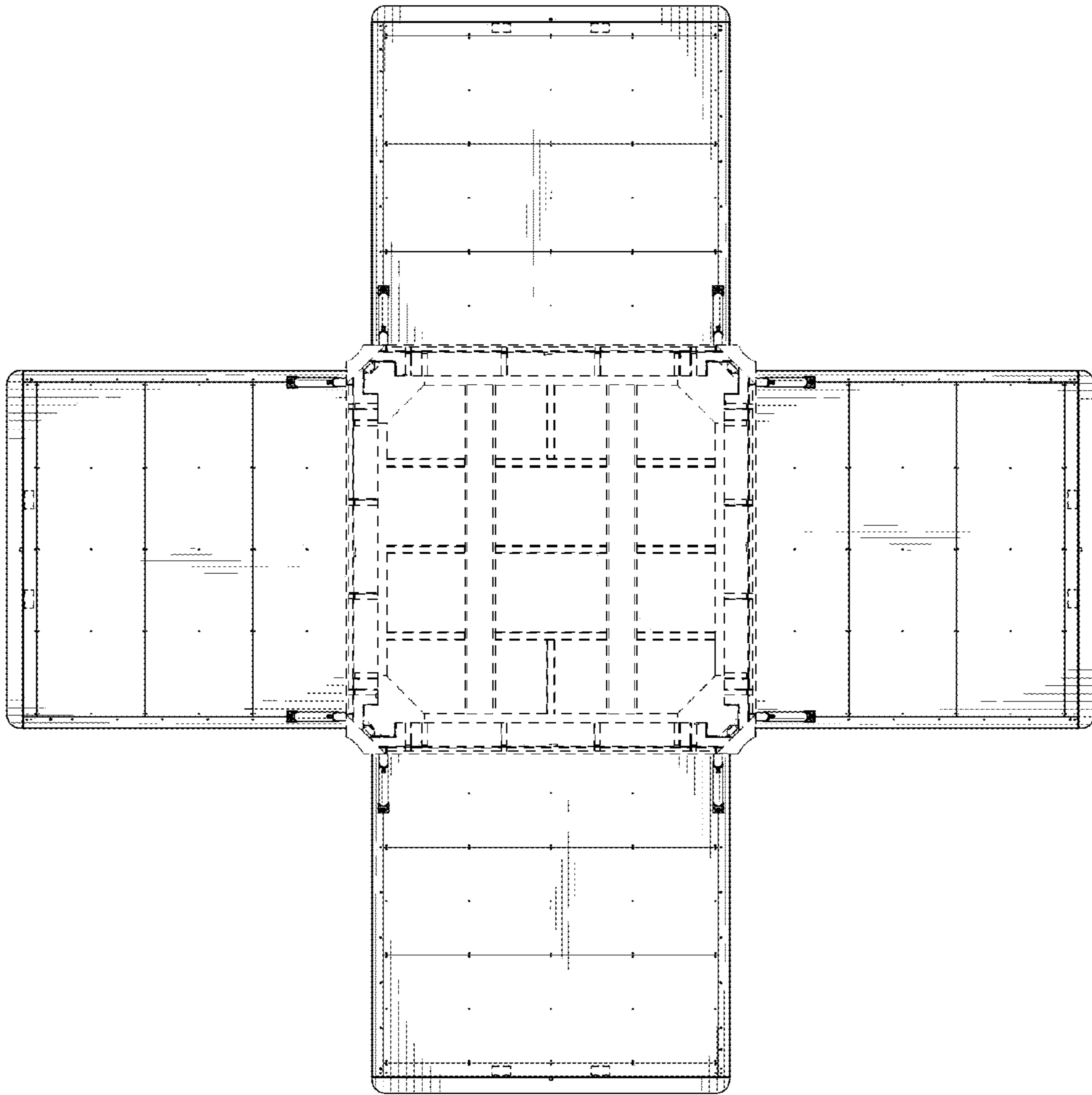


FIG. 16

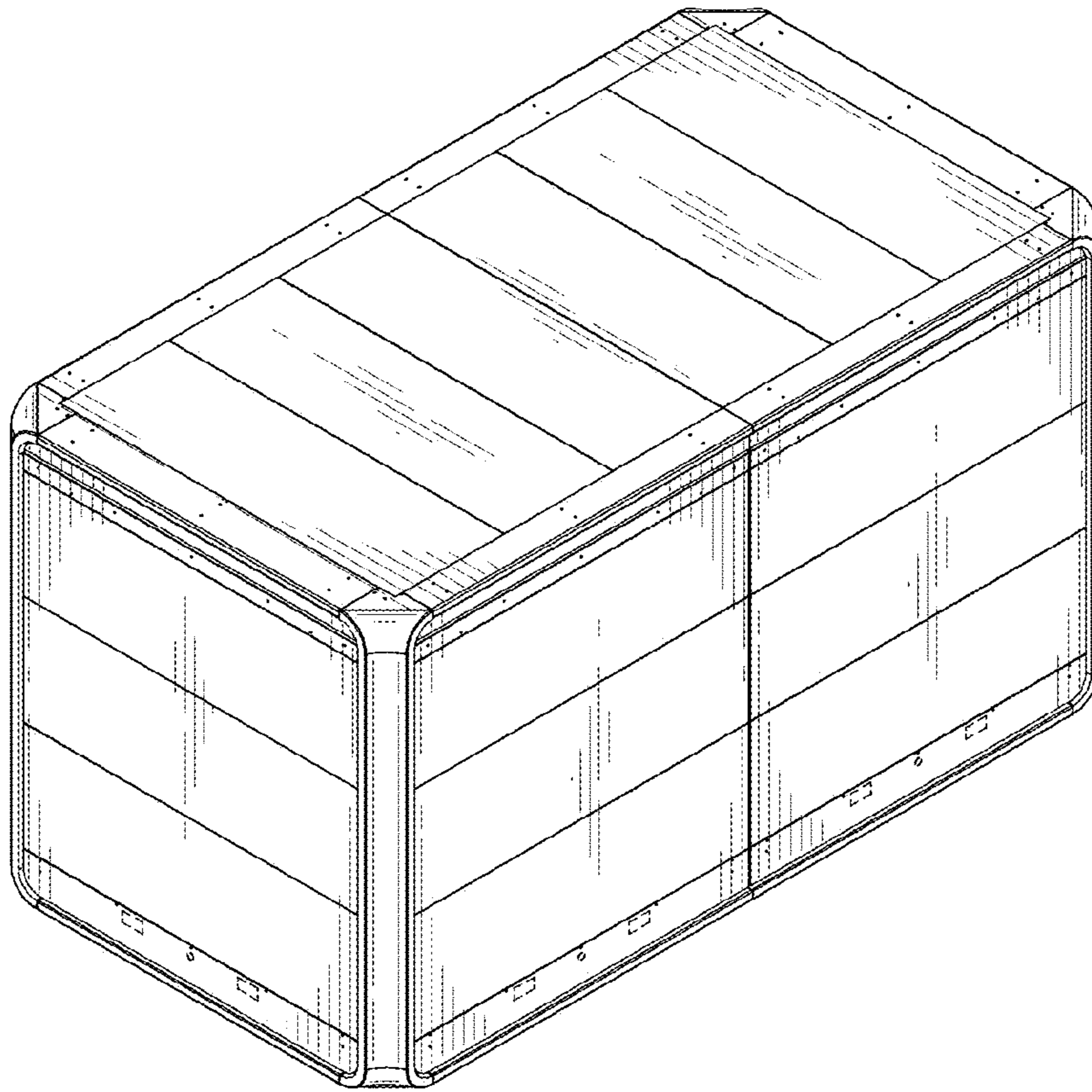


FIG. 17

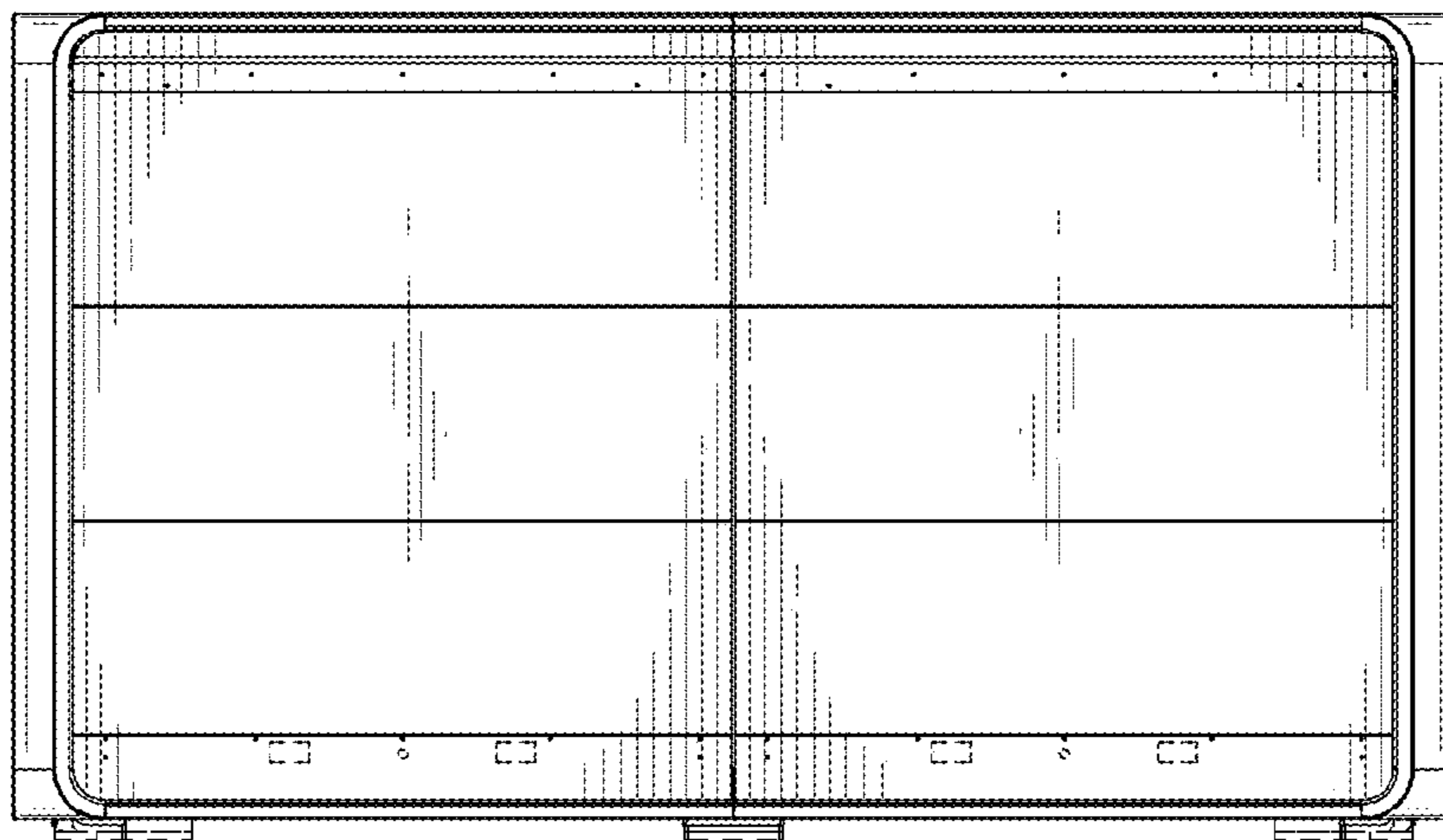


FIG. 18

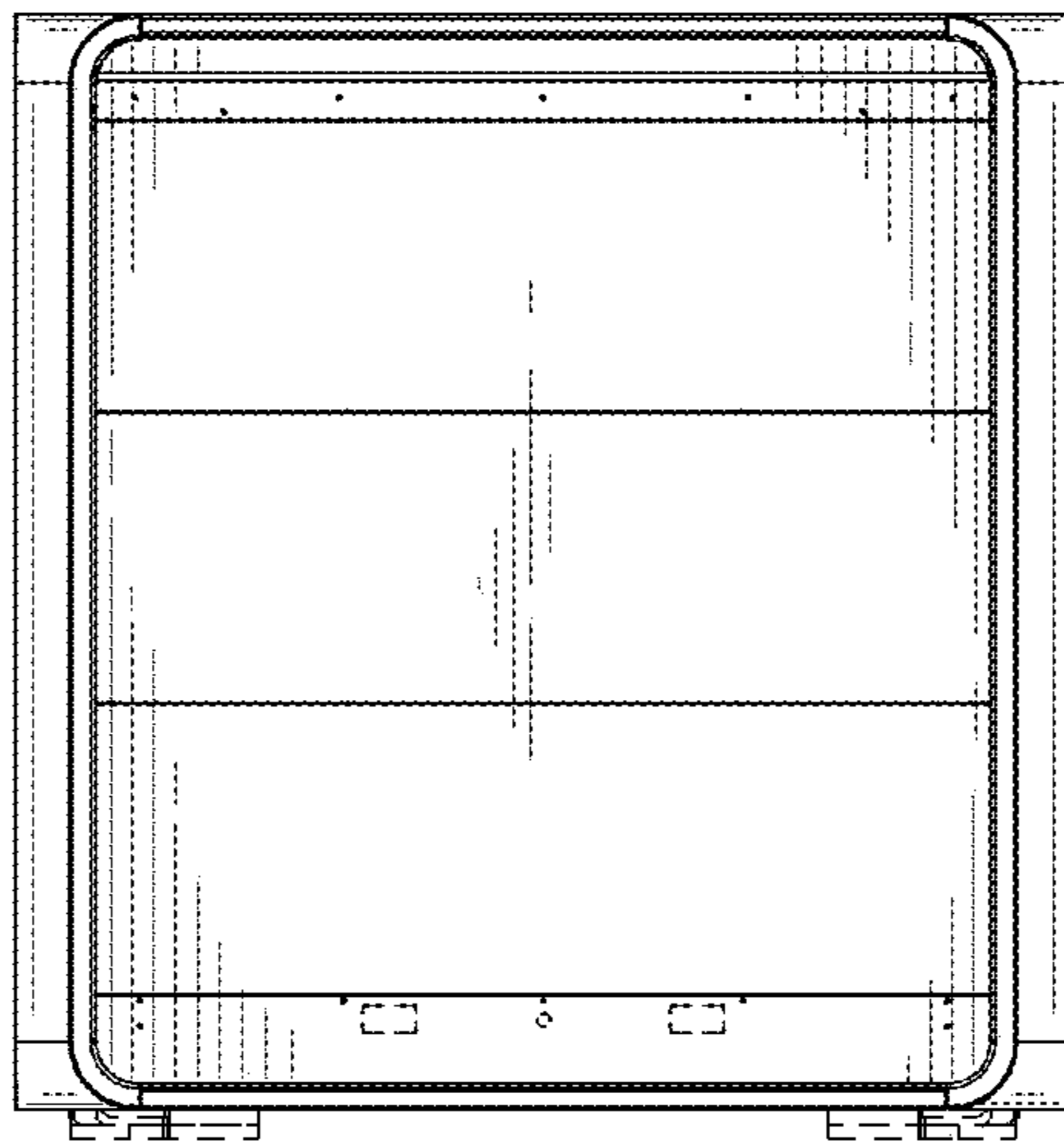


FIG. 19

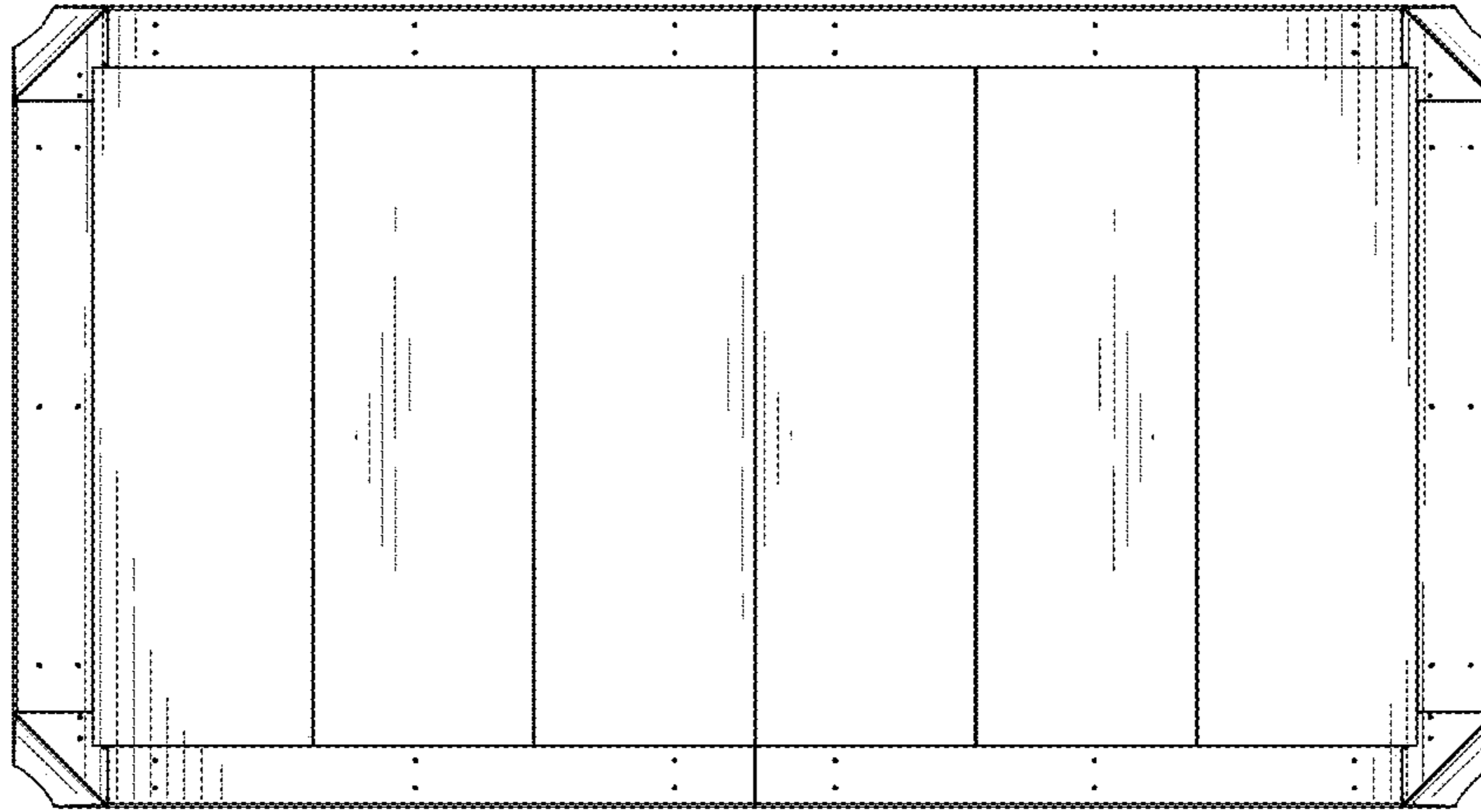


FIG. 20

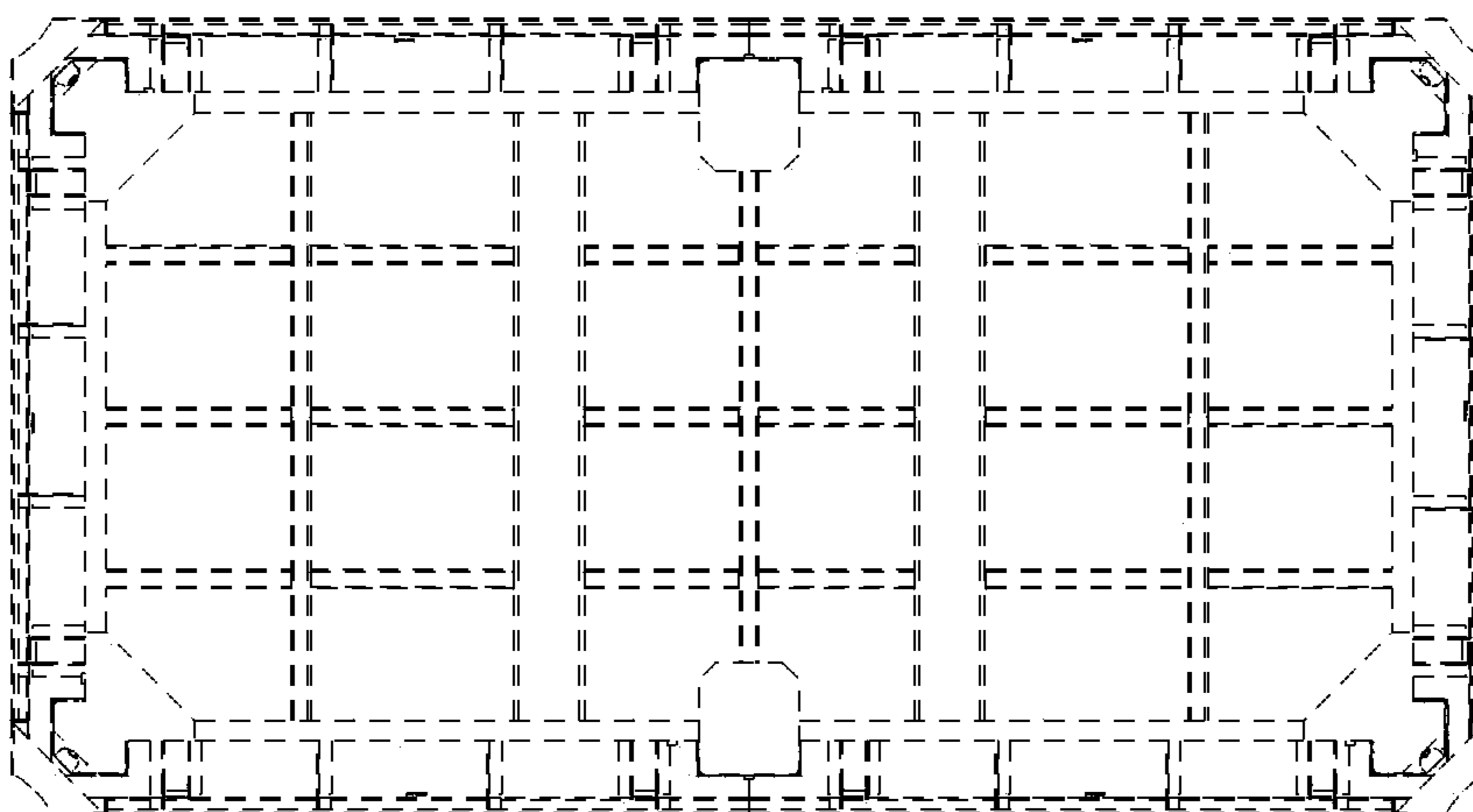


FIG. 21

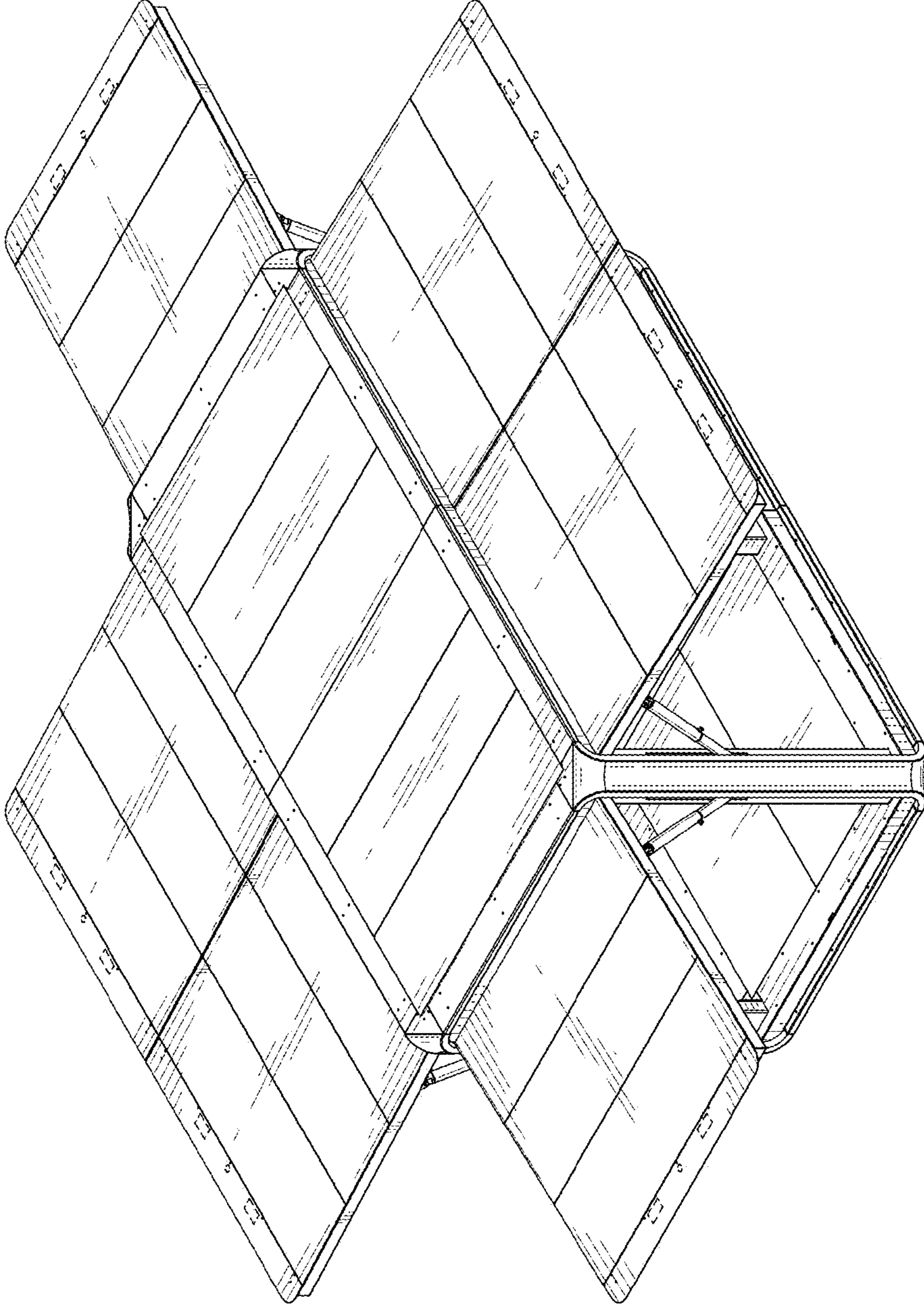


FIG. 22

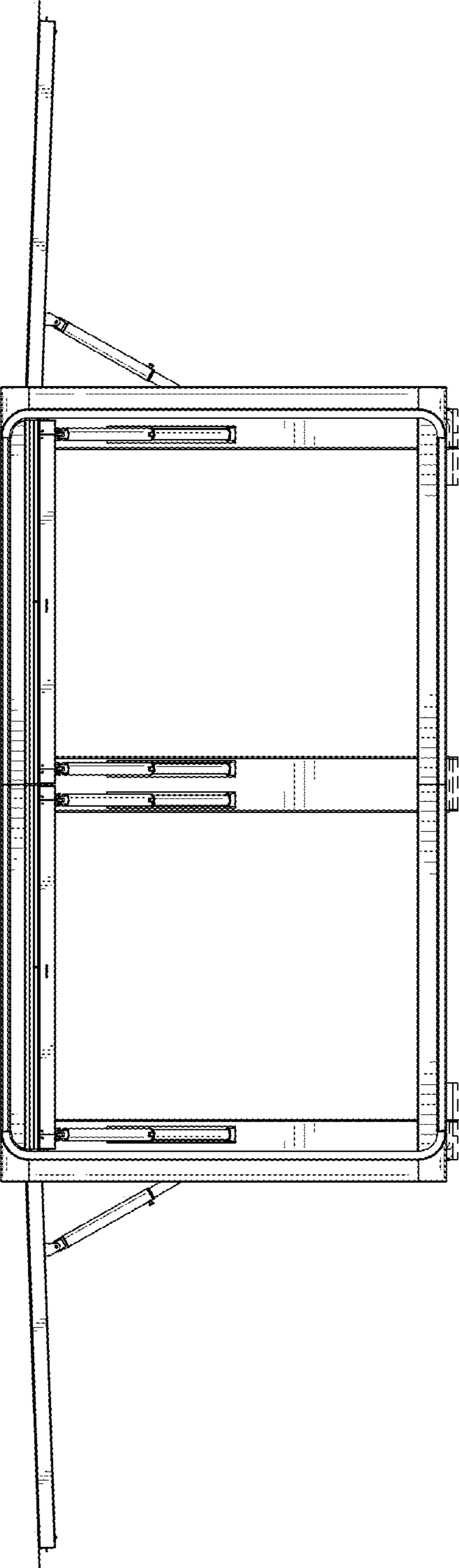


FIG. 23

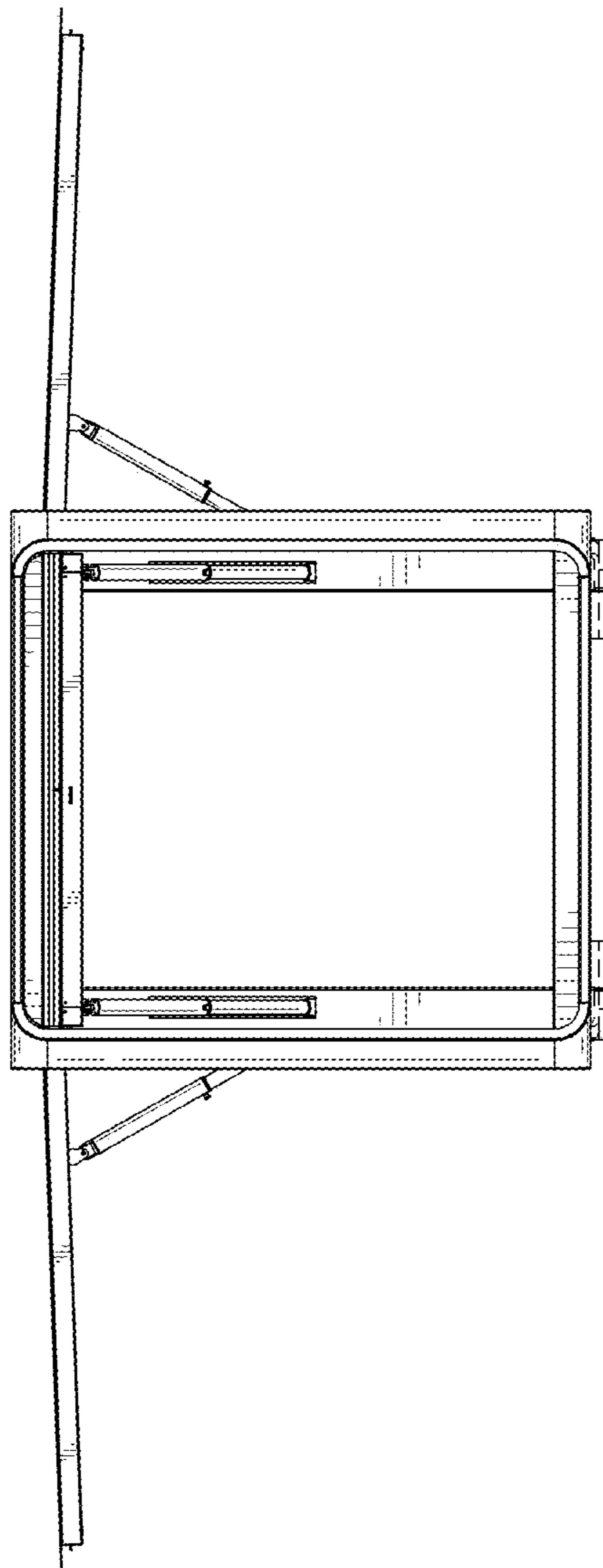


FIG. 24

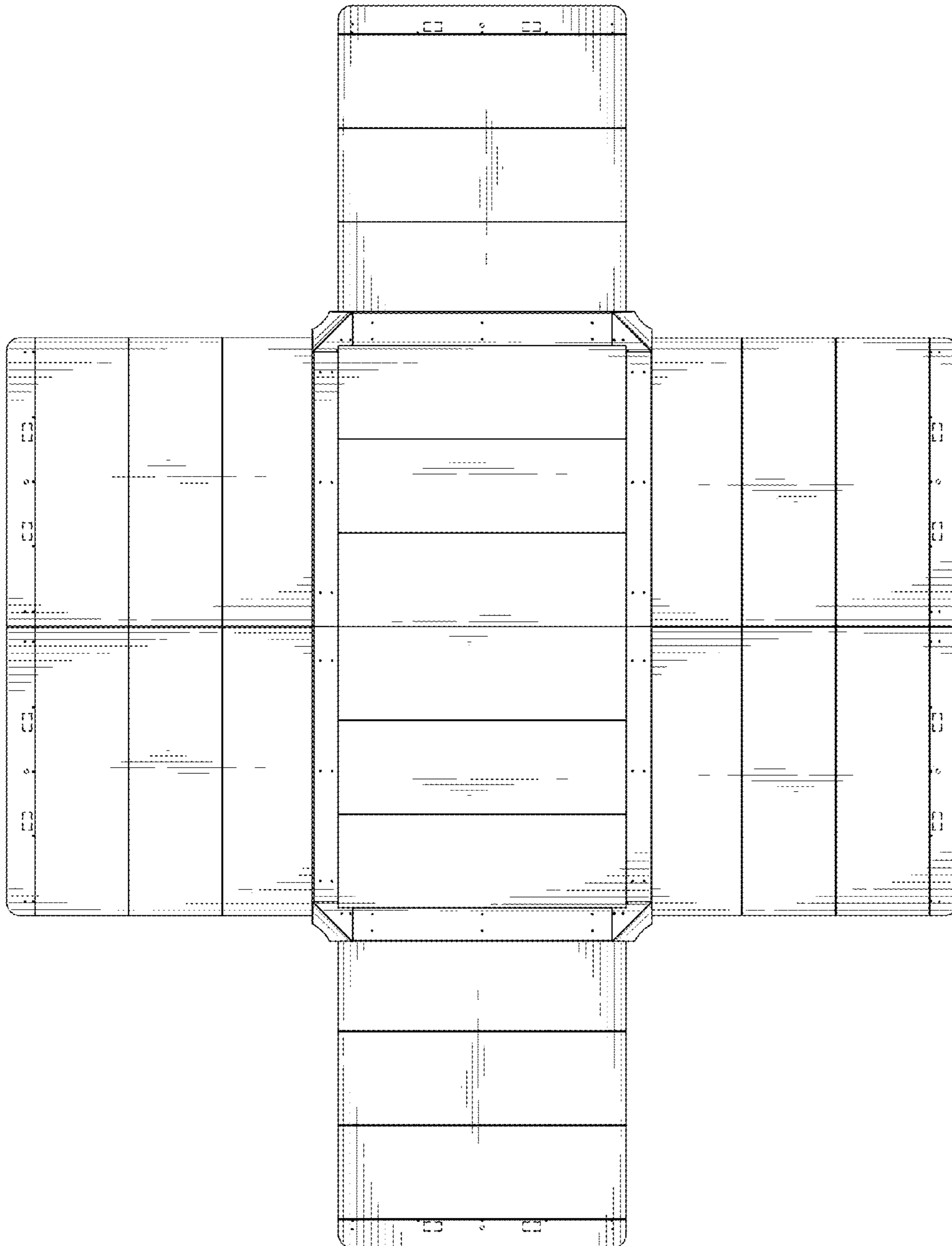


FIG. 25

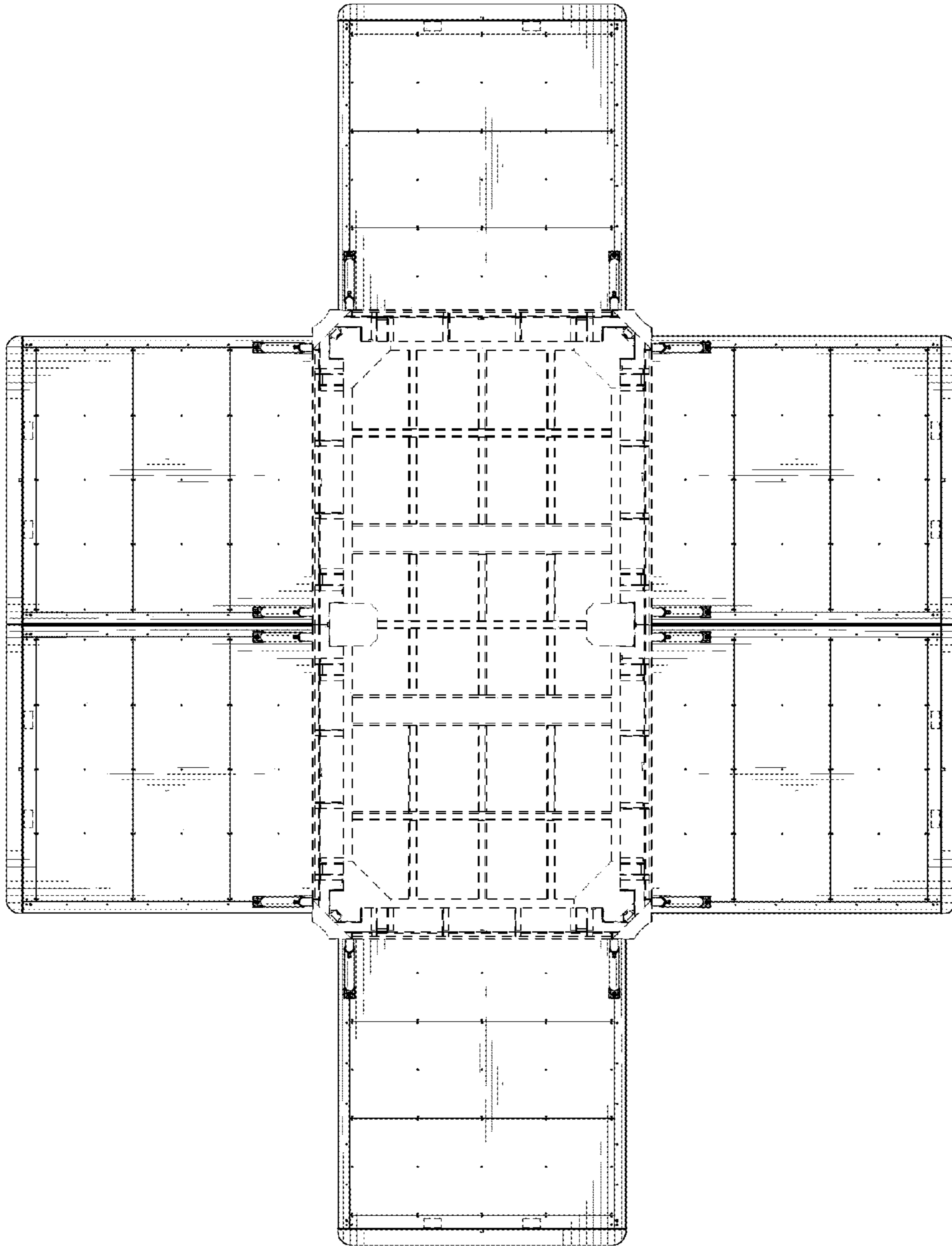


FIG. 26

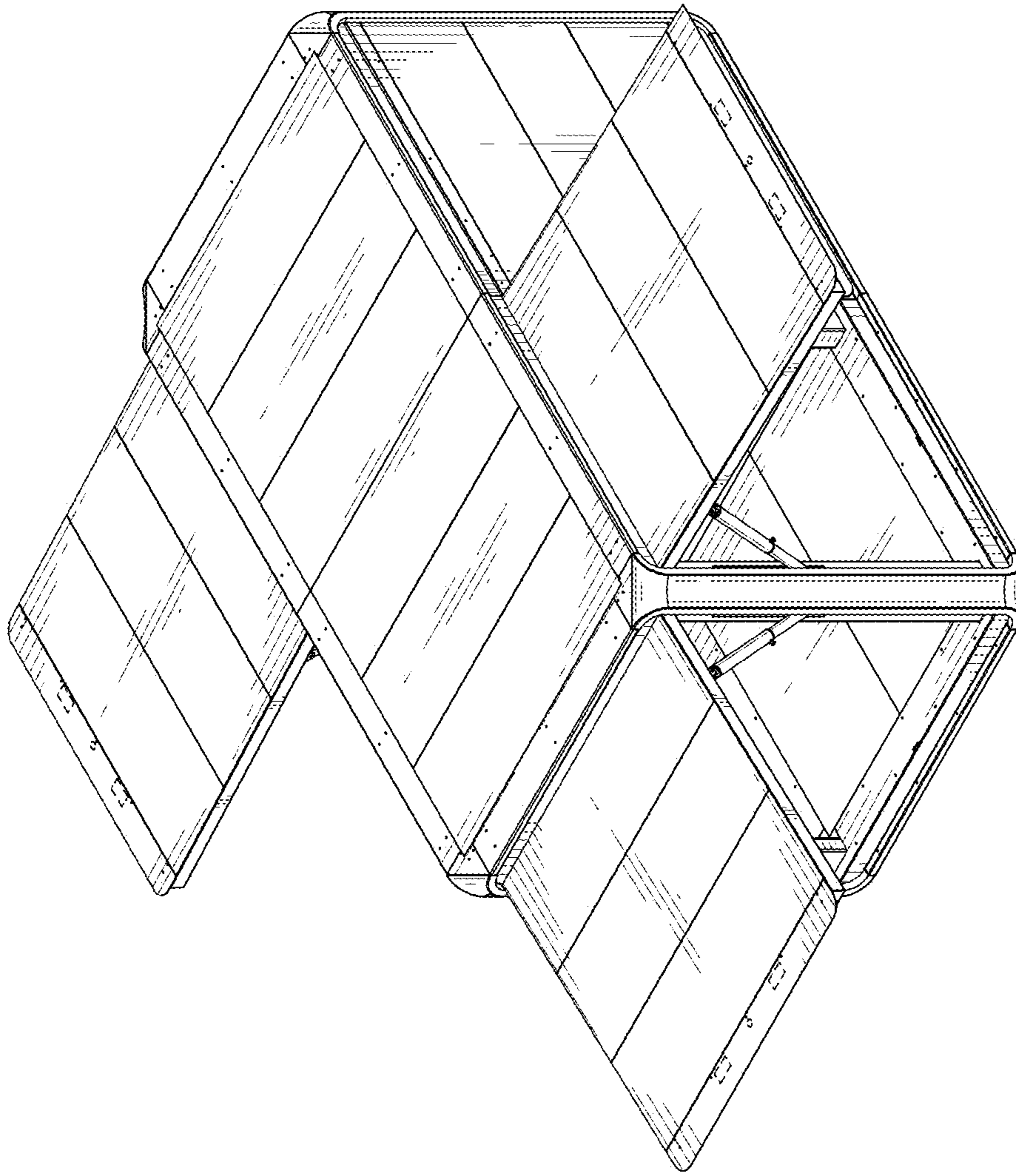


FIG. 27