



US00D738134S

(12) **United States Design Patent**  
**Snell**

(10) **Patent No.:** **US D738,134 S**

(45) **Date of Patent:** **\*\* Sep. 8, 2015**

- (54) **TOOTHBRUSH STAND**
- (71) Applicant: **InterDesign, Inc.**, Solon, OH (US)
- (72) Inventor: **Russell Benton Snell**, Bentleyville, OH (US)
- (73) Assignee: **InterDesign, Inc.**, Solon, OH (US)
- (\*\*) Term: **14 Years**
- (21) Appl. No.: **29/496,099**
- (22) Filed: **Jul. 9, 2014**

|              |         |           |       |        |
|--------------|---------|-----------|-------|--------|
| D530,122 S * | 10/2006 | Snell     | ..... | D6/534 |
| D530,552 S * | 10/2006 | Snell     | ..... | D6/534 |
| D530,949 S * | 10/2006 | Snell     | ..... | D6/534 |
| D530,950 S * | 10/2006 | Dretzka   | ..... | D6/534 |
| D576,828 S * | 9/2008  | Ghiorghie | ..... | D6/534 |
| D576,829 S * | 9/2008  | Dretzka   | ..... | D6/534 |
| D599,591 S * | 9/2009  | Snell     | ..... | D6/534 |
| D599,592 S * | 9/2009  | Dretzka   | ..... | D6/534 |
| D599,593 S * | 9/2009  | Ghiorghie | ..... | D6/534 |
| D615,335 S * | 5/2010  | Snell     | ..... | D6/534 |
| D619,395 S * | 7/2010  | Snell     | ..... | D6/534 |

\* cited by examiner

*Primary Examiner* — Brian N Vinson

(74) *Attorney, Agent, or Firm* — Calfee Halter & Griswold, LLP

**Related U.S. Application Data**

- (62) Division of application No. 29/472,238, filed on Nov. 11, 2013, now Pat. No. Des. 713,167, which is a division of application No. 29/411,666, filed on Jan. 25, 2012, now Pat. No. Des. 694,548.
- (51) **LOC (10) Cl.** ..... **23-02**
- (52) **U.S. Cl.**  
USPC ..... **D6/534**
- (58) **Field of Classification Search**  
USPC ..... D6/534, 528; 206/209.1, 361, 362, 206/362.1, 362.2, 362.3; 211/13.1, 65, 70.7  
CPC ..... A46B 15/0091; A46B 15/0097; A45D 33/00; A47K 1/09; A47K 5/00  
See application file for complete search history.

(57) **CLAIM**

The ornamental design for a toothbrush stand, as shown and described.

**DESCRIPTION**

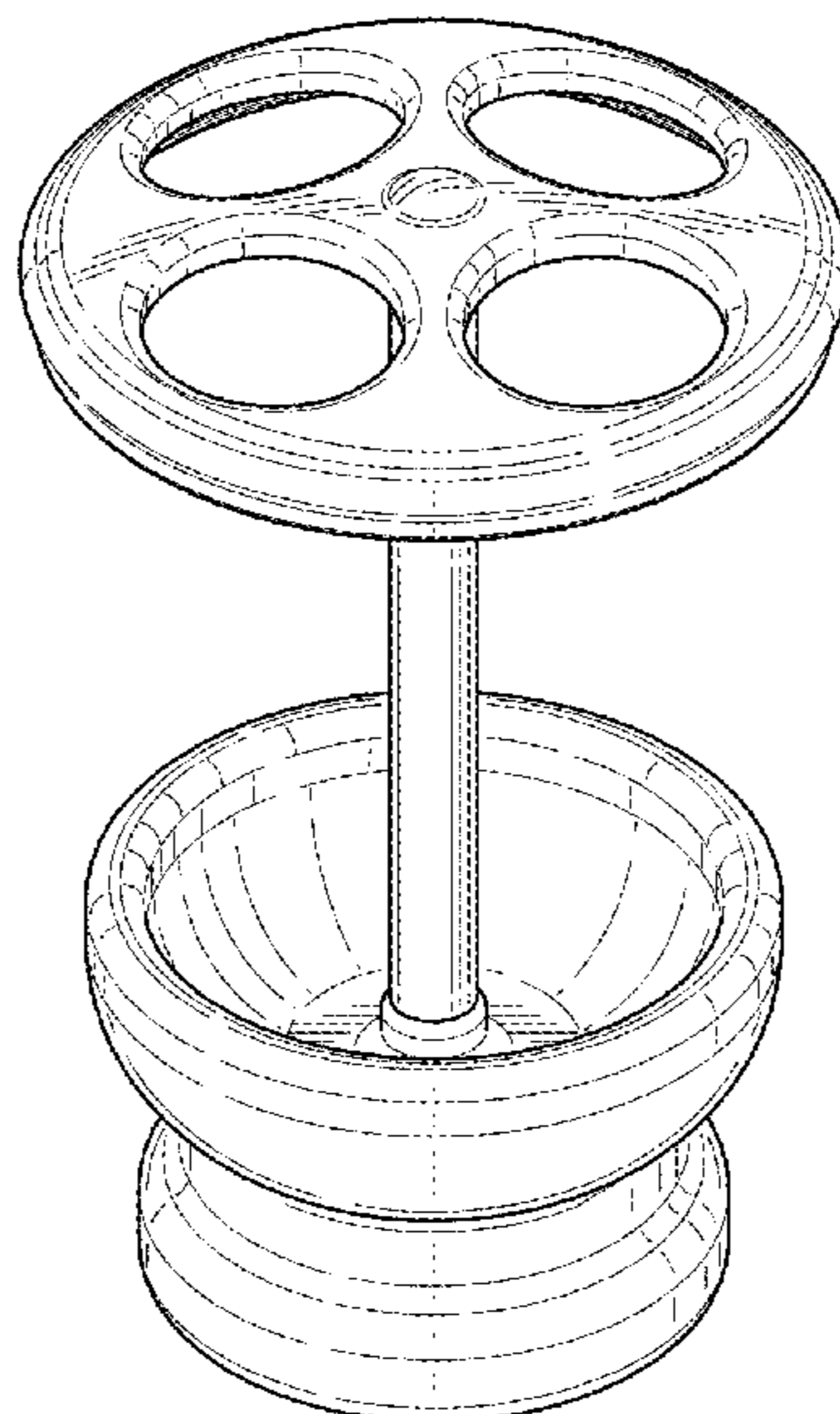
FIG. 1 is a front/right/top perspective view of a toothbrush stand;  
 FIG. 2 is a rear/left /bottom perspective view thereof;  
 FIG. 3 is a front elevational view thereof (a rear elevational view would be a mirror image thereof);  
 FIG. 4 is a right side elevational view thereof (a left side elevational view would be a mirror image thereof);  
 FIG. 5 is a top plan view thereof; and,  
 FIG. 6 is a bottom plan view thereof.  
 The outer broken-line circle in FIGS. 2 and 6 represents the bounds of the claimed design, while all other broken lines are directed to environment; the broken lines in the Figures are for illustrative, environmental purposes only and form no part of the claimed design.

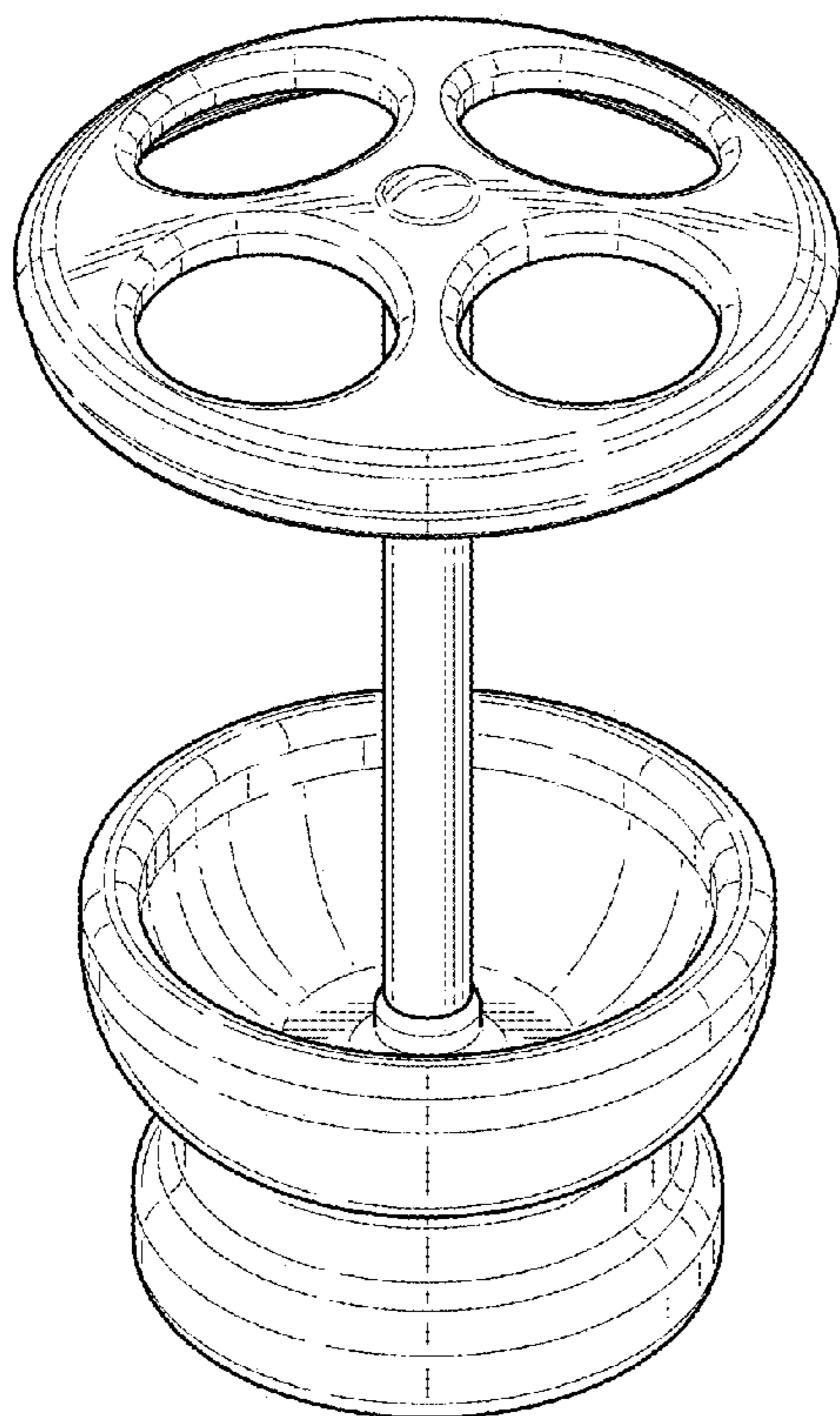
(56) **References Cited**

**U.S. PATENT DOCUMENTS**

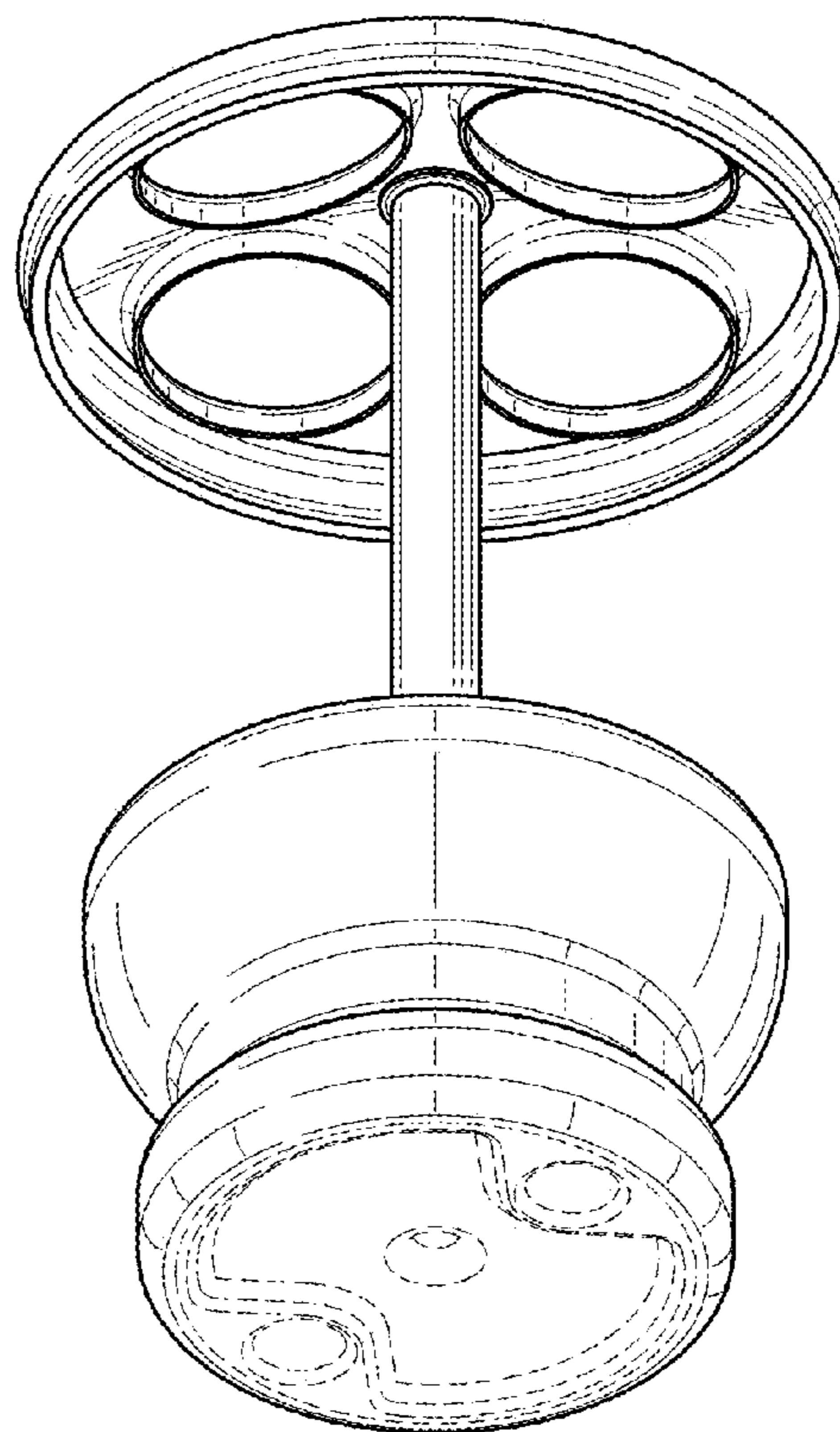
|              |         |         |       |        |
|--------------|---------|---------|-------|--------|
| D477,734 S * | 7/2003  | Snell   | ..... | D6/534 |
| D478,231 S * | 8/2003  | Snell   | ..... | D6/534 |
| D482,222 S * | 11/2003 | Dretzka | ..... | D6/534 |
| D499,918 S * | 12/2004 | Snell   | ..... | D6/534 |

**1 Claim, 3 Drawing Sheets**

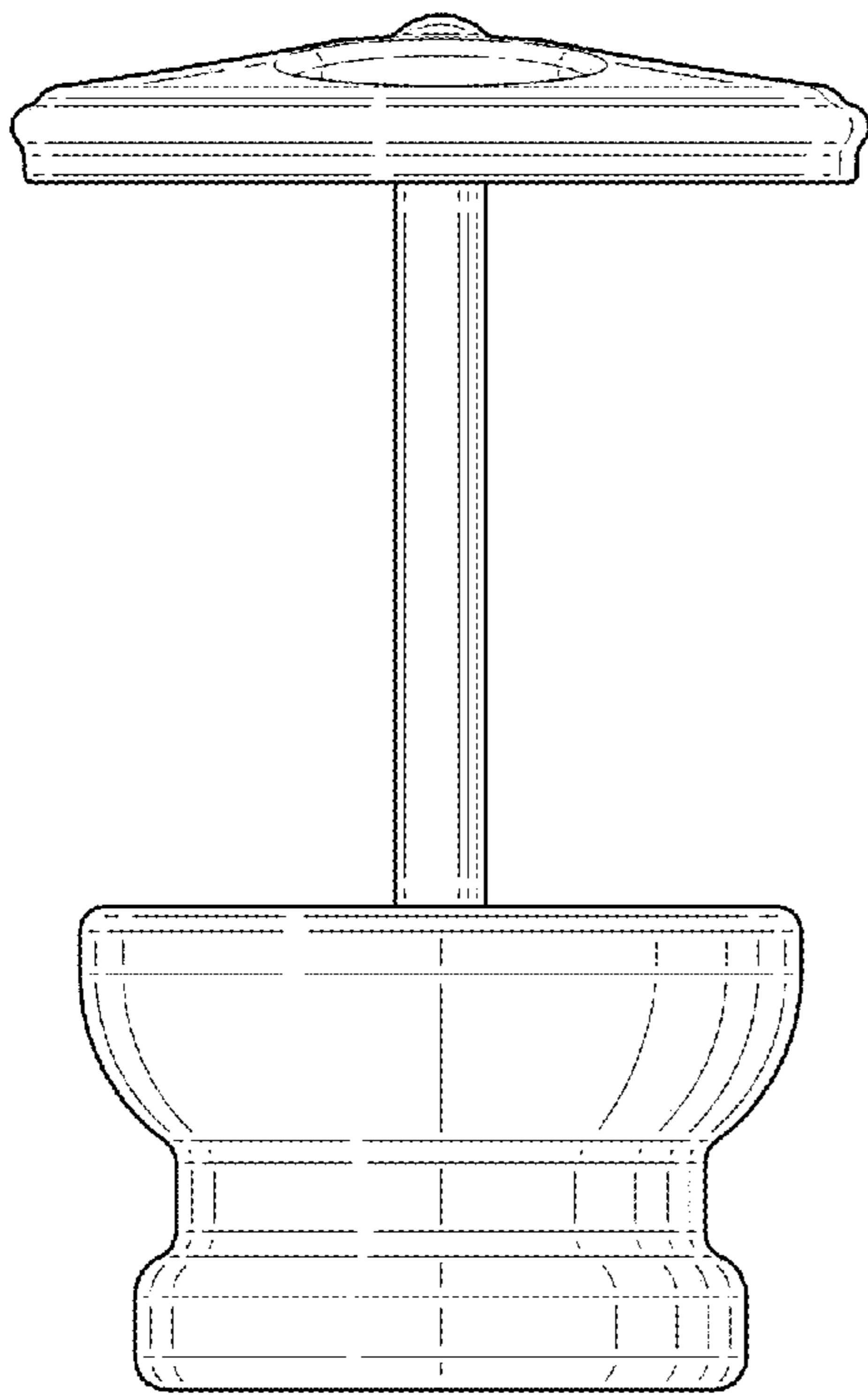




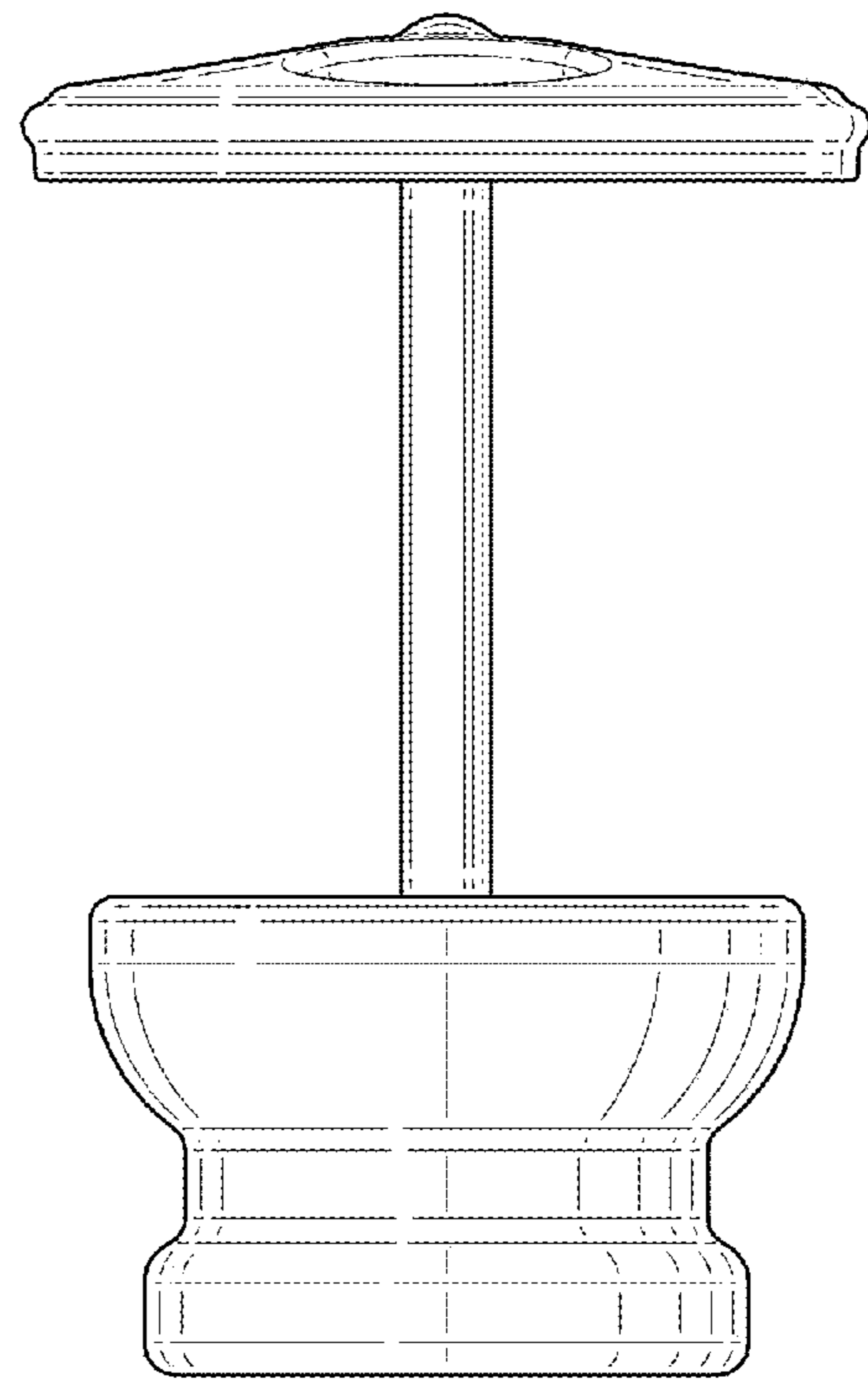
**FIG. 1**



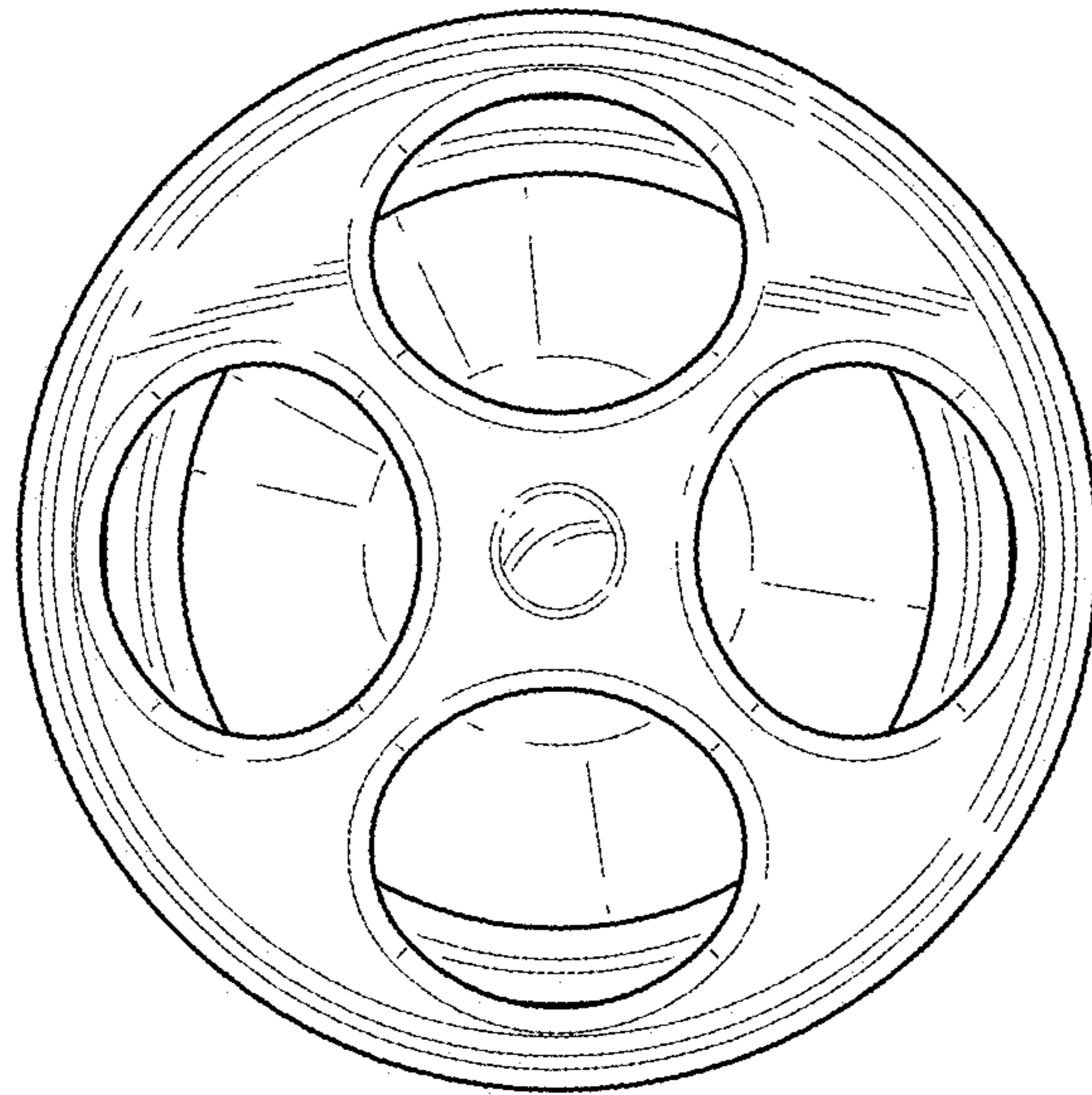
**FIG. 2**



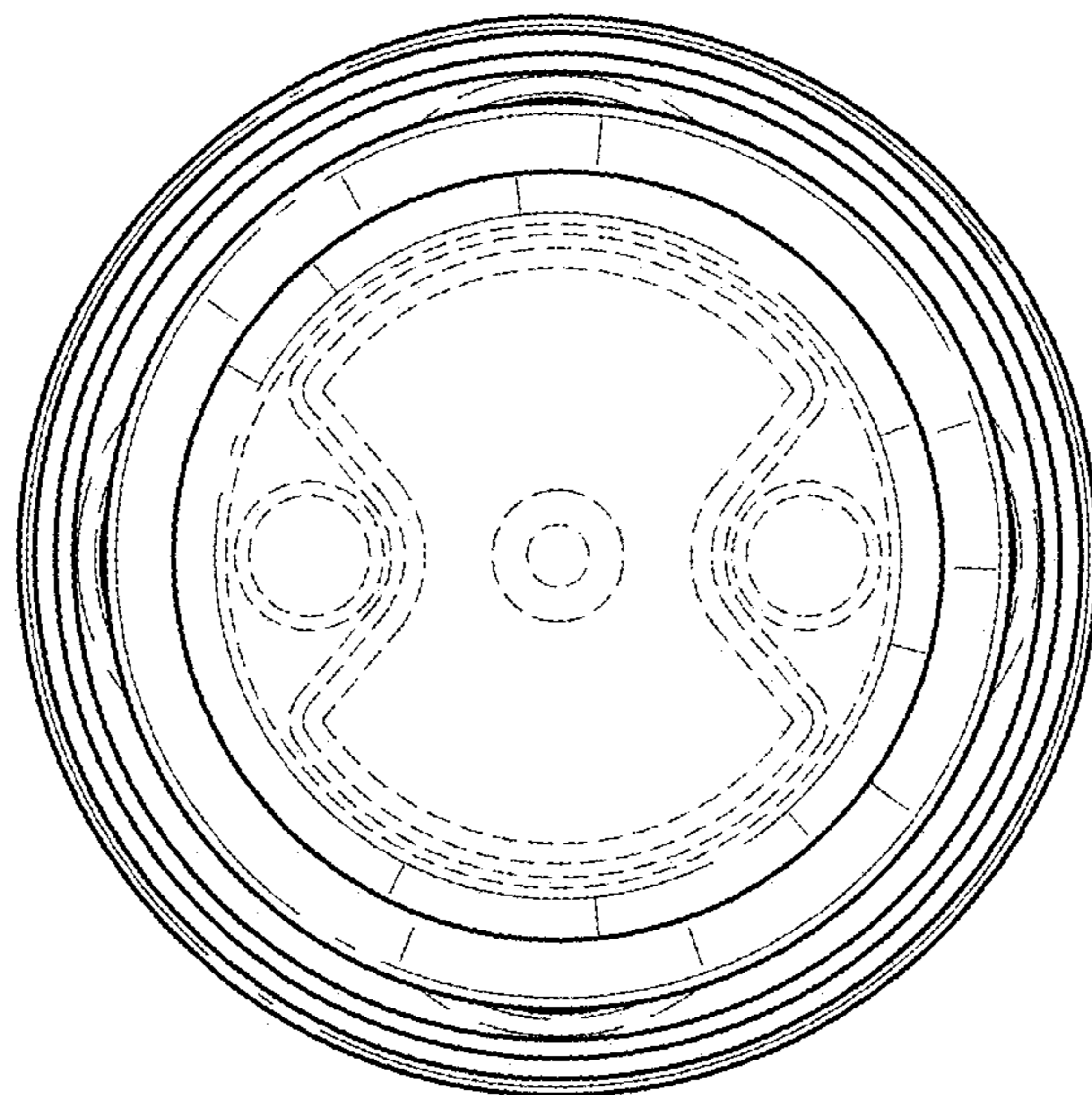
**FIG. 3**



**FIG. 4**



**FIG. 5**



**FIG. 6**