



US00D738133S

(12) **United States Design Patent**
Bjerre-Poulsen et al.

(10) **Patent No.:** **US D738,133 S**
(45) **Date of Patent:** **** Sep. 8, 2015**

(54) **MUG FOR TOOTHBRUSHES**

(71) Applicant: **Designers Company ApS**, Fredensborg (DK)

(72) Inventors: **Jonas Bjerre-Poulsen**, Copenhagen (DK); **Kasper Rønn**, Copenhagen (DK)

(73) Assignee: **DESIGNERS COMPANY APS**, Fredensborg (DK)

(**) Term: **14 Years**

(21) Appl. No.: **29/458,724**

(22) Filed: **Jun. 21, 2013**

(30) **Foreign Application Priority Data**

Dec. 21, 2012 (WO) DM/079 938

(51) **LOC (10) Cl.** **23-02**

(52) **U.S. Cl.**
USPC **D6/534; D6/528**

(58) **Field of Classification Search**
USPC D6/524, 526, 527, 528, 534; 206/208, 206/228, 209, 209.1, 361, 362, 362.1, 206/362.2, 362.3; 211/13.1, 66, 70.6, 211/86.01, 87.01; D7/701, 635, 637

See application file for complete search history.

(56) **References Cited**

U.S. PATENT DOCUMENTS

D327,195 S *	6/1992	Murphy et al.	D6/534
D336,398 S *	6/1993	Shafer	D6/534
D364,061 S *	11/1995	Burga	D6/534
D423,266 S *	4/2000	Ludwig	D6/534
D545,062 S *	6/2007	Nagoya	D6/534
D695,039 S *	12/2013	Gilboe et al.	D6/534
D701,394 S *	3/2014	Lin	D6/534

* cited by examiner

Primary Examiner — Brian N Vinson

(74) *Attorney, Agent, or Firm* — Birch, Stewart, Kolasch & Birch, LLP

(57) **CLAIM**

The ornamental design for a mug for toothbrushes, as shown and described.

DESCRIPTION

FIG. 1 is a top perspective view of a mug for toothbrushes showing our new design;

FIG. 2 is a right side view thereof; and,

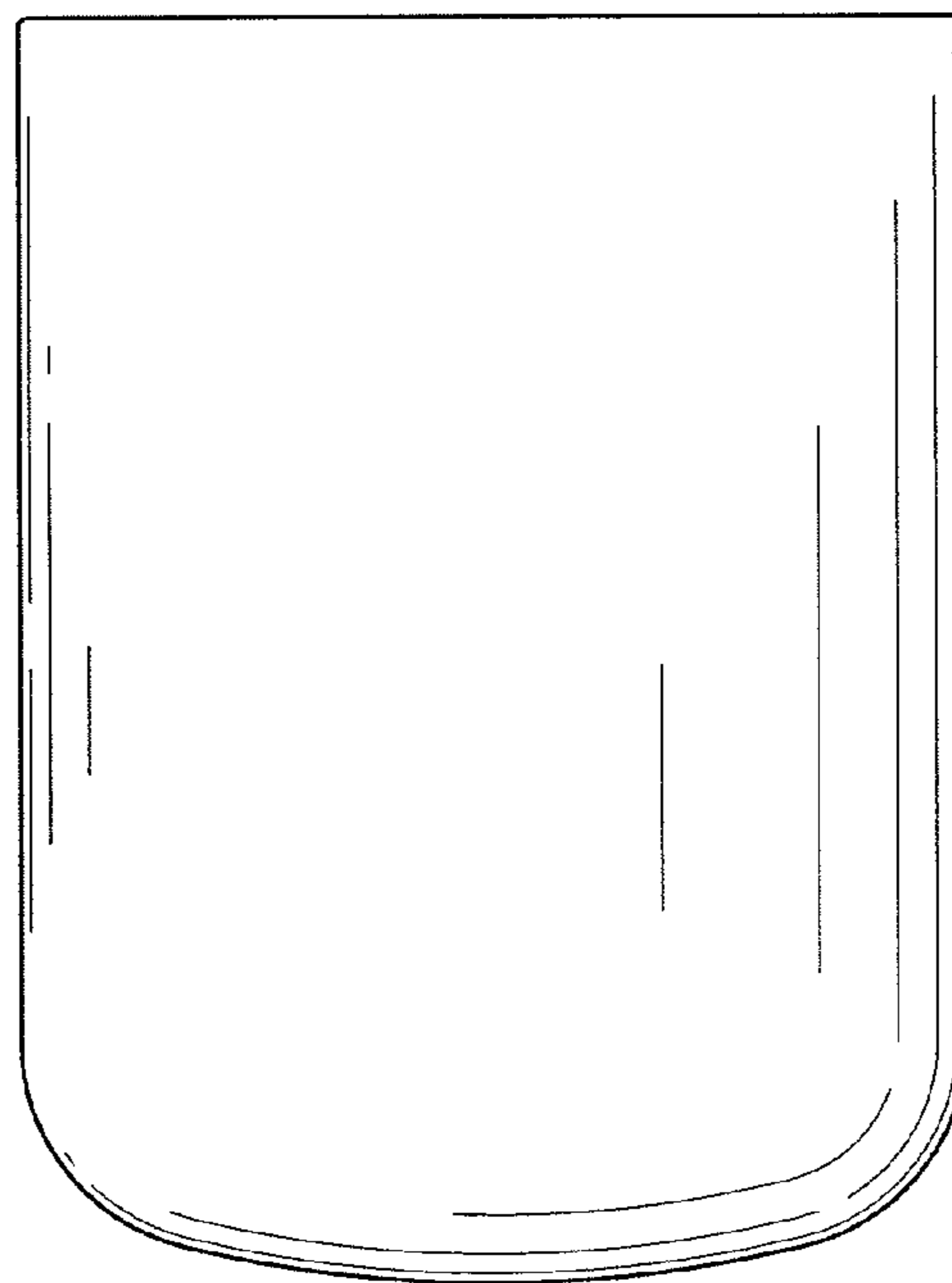
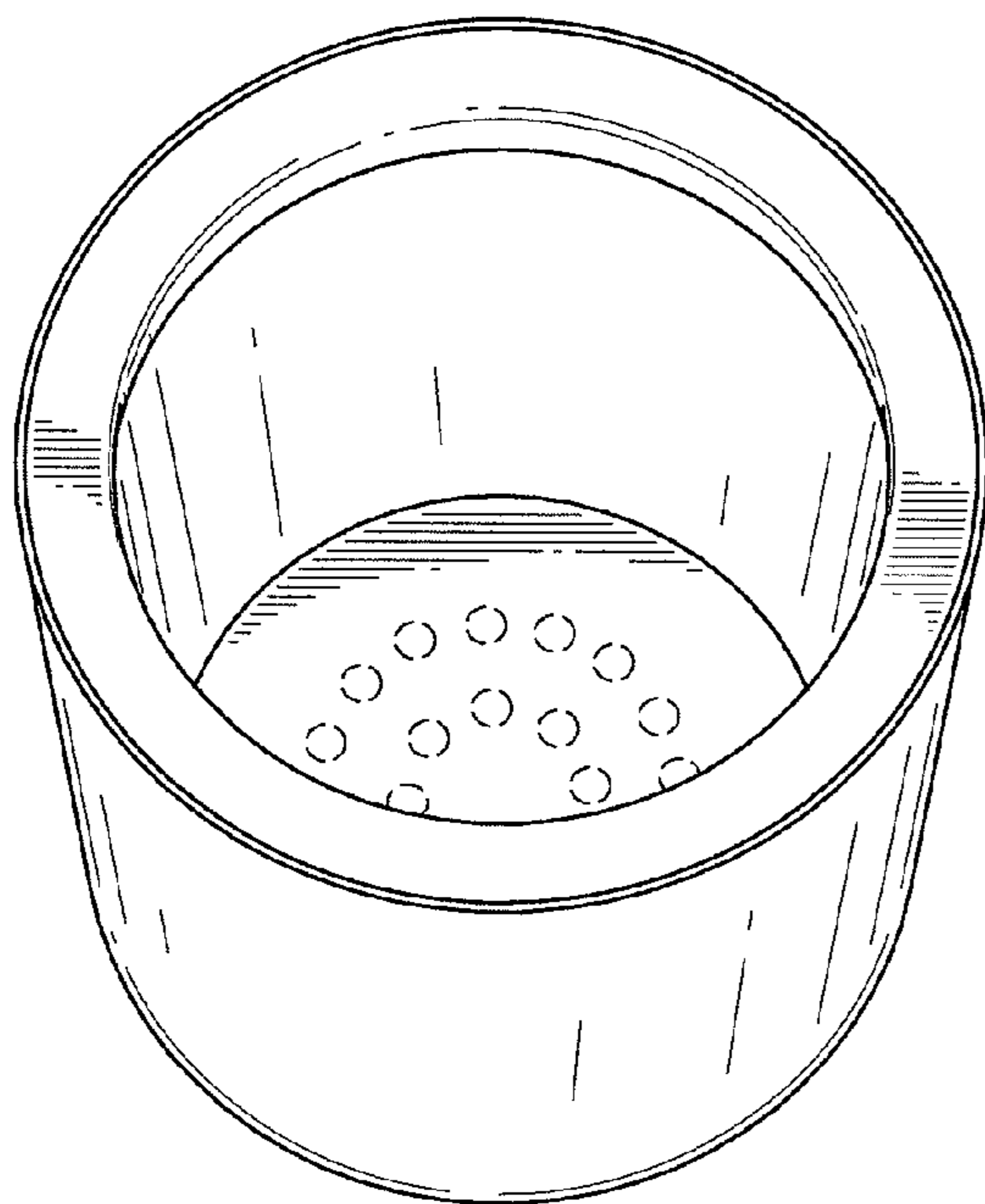
FIG. 3 is a top plan view thereof.

The front, rear and left side views are the same as the right side view.

The bottom view is unornamented.

The portions shown in broken lines form no part of the claimed design.

1 Claim, 3 Drawing Sheets



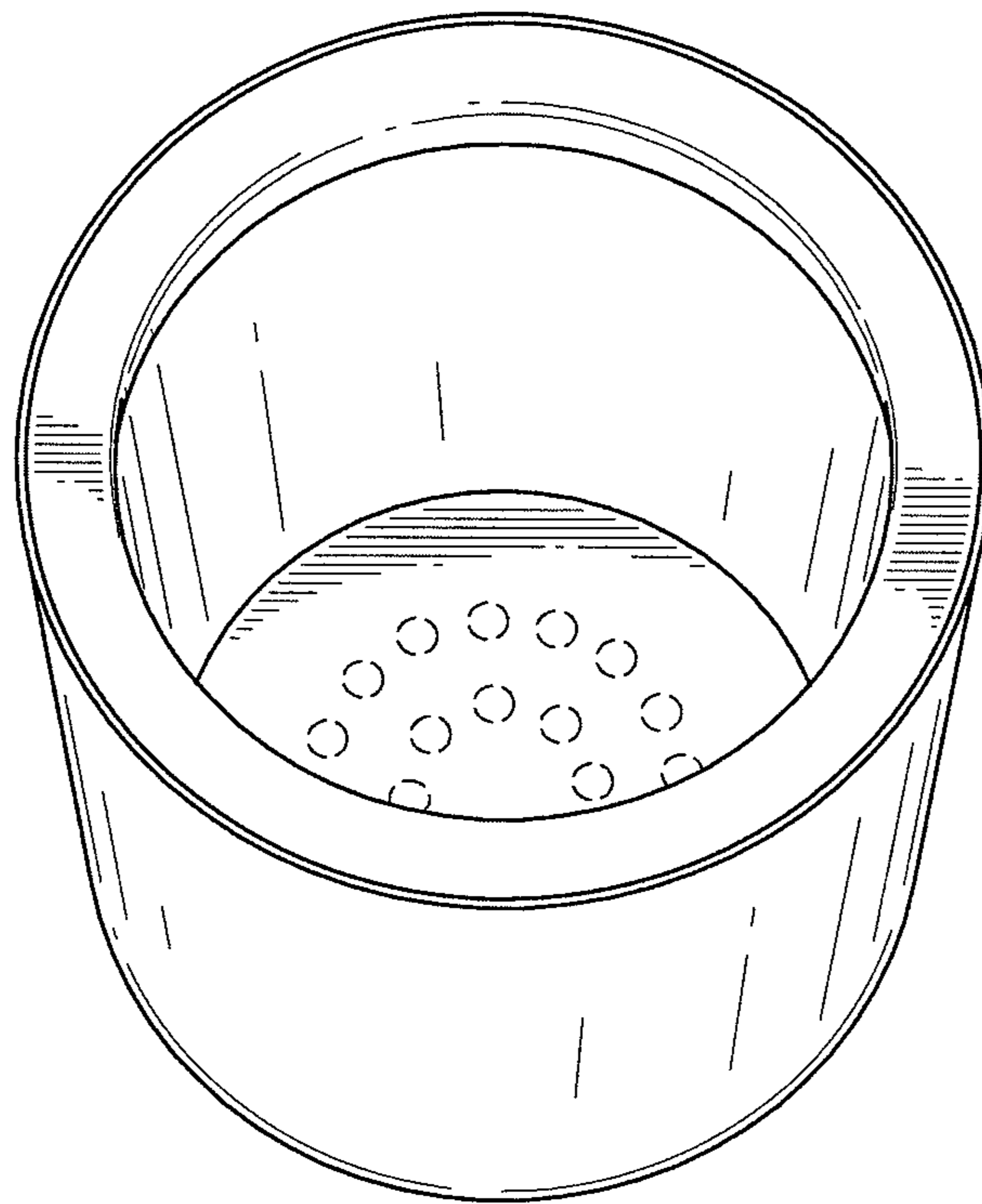


FIG.1

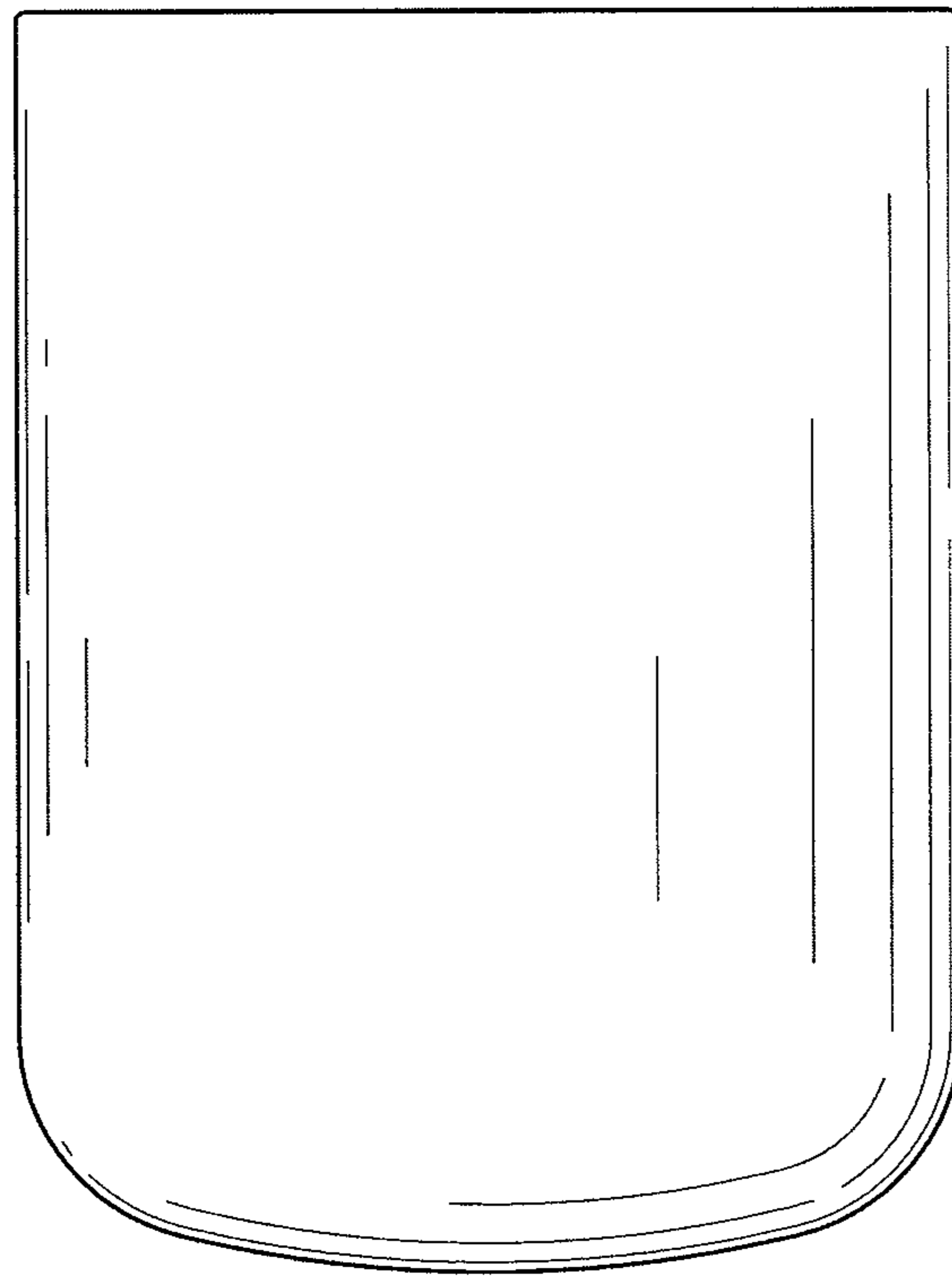


FIG.2

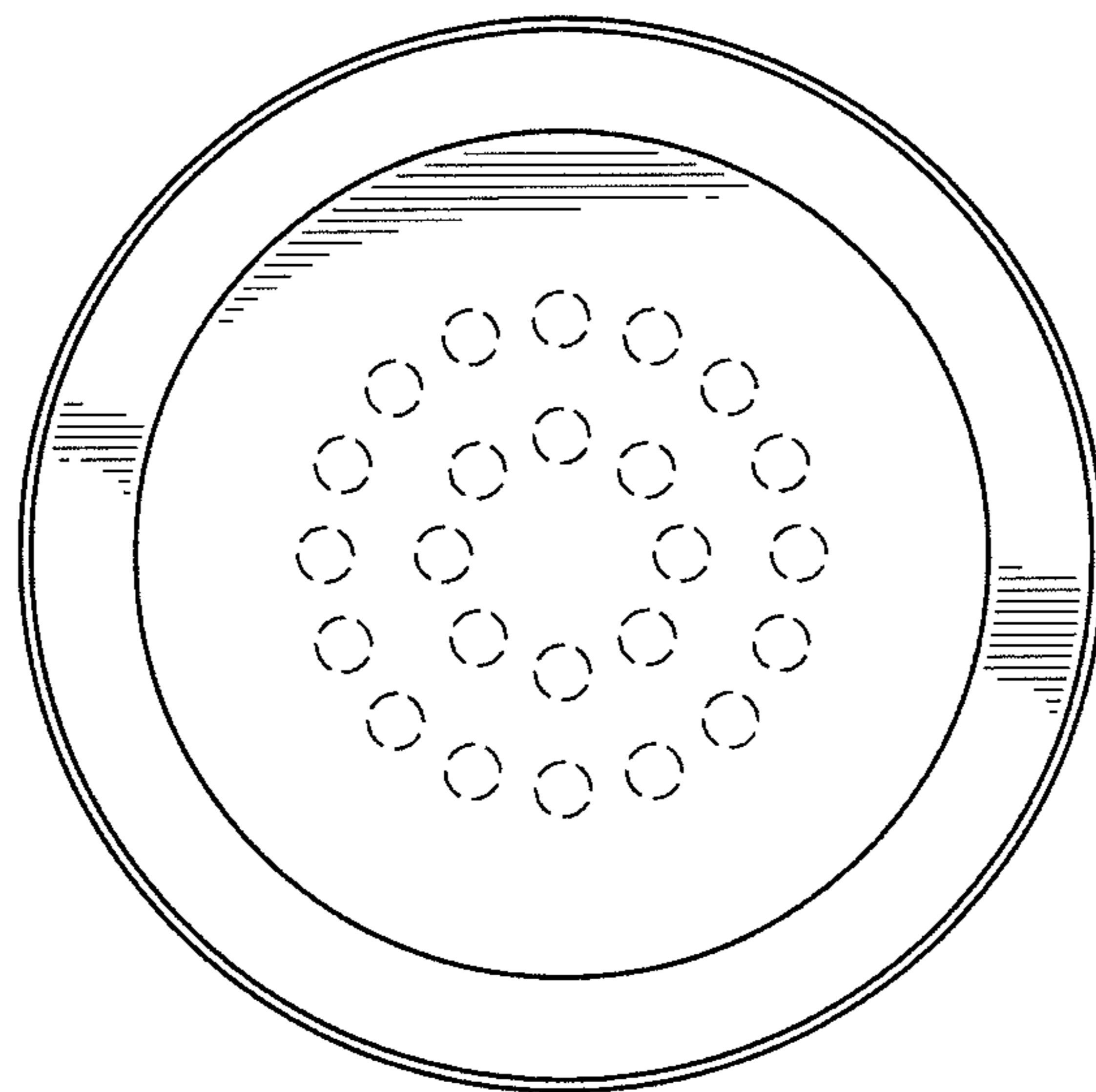


FIG.3