



US00D738132S

(12) **United States Design Patent**  
**Citterio**

(10) **Patent No.:** **US D738,132 S**

(45) **Date of Patent:** **\*\* Sep. 8, 2015**

(54) **OUTDOOR COT**

(71) Applicant: **B&B ITALIA S.p.A.**, Milan (IT)

(72) Inventor: **Antonio Citterio**, Milan (IT)

(73) Assignee: **B&B Italia S.p.A.**, Milan (IT)

(\*\*) Term: **14 Years**

(21) Appl. No.: **29/469,298**

(22) Filed: **Oct. 9, 2013**

(30) **Foreign Application Priority Data**

Apr. 9, 2013 (IT) ..... MI2013O0091

(51) **LOC (10) Cl.** ..... **06-02**

(52) **U.S. Cl.**

USPC ..... **D6/392**

(58) **Field of Classification Search**

USPC ..... D6/382, 383, 392; 5/110, 111, 112,  
5/310, 907, 114

CPC ..... A47C 17/64; A47C 17/68; A47C 19/12;  
A47C 17/66

See application file for complete search history.

(56) **References Cited**

**U.S. PATENT DOCUMENTS**

D56,036 S \* 8/1920 Takeuchi ..... D6/382  
3,197,789 A \* 8/1965 Ashkouti et al. .... 5/110  
D338,744 S \* 8/1993 Marlon et al. .... D6/382

D407,575 S \* 4/1999 Meoli, Jr. .... D6/392  
D600,469 S \* 9/2009 Bonatz ..... D6/383  
8,065,760 B2 \* 11/2011 Brune ..... 5/111

\* cited by examiner

*Primary Examiner* — Janice Seeger

(74) *Attorney, Agent, or Firm* — Thomas|Horstemeyer, LLP

(57) **CLAIM**

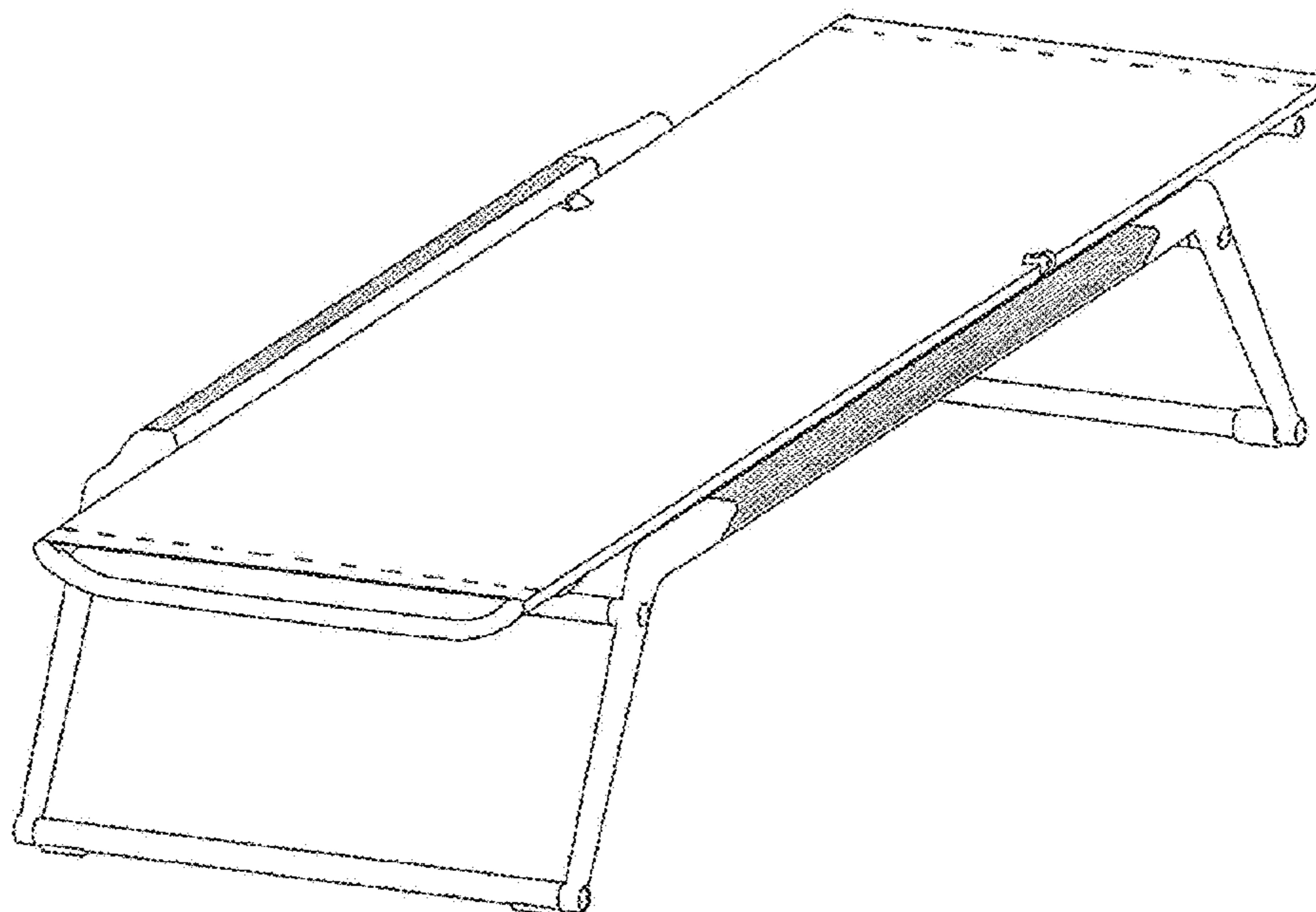
The ornamental design for an outdoor cot, as shown and described.

**DESCRIPTION**

FIG. 1 is a top perspective view of my new outdoor cot;  
FIG. 2 is a bottom perspective view of my new outdoor cot of FIG. 1;  
FIG. 3 is a side elevational view of my new outdoor cot of FIG. 1, depicting an end in one position;  
FIG. 4 is a side elevational view of my new outdoor cot from the same side as that of FIG. 3, depicting in broken lines additional positions for one of its ends;  
FIG. 5 is a side elevational view of my new outdoor cot, opposite that of FIG. 3;  
FIG. 6 is a side elevational view of my new outdoor cot from the same side as FIG. 5, opposite that of FIG. 4, depicting in broken lines additional positions for one of its ends;  
FIG. 7 is an end view of my new outdoor cot of FIG. 1;  
FIG. 8 is another end view of my new outdoor cot opposite that of FIG. 7;  
FIG. 9 is a top plan view of my new outdoor cot of FIG. 1; and, FIG. 10 is a bottom plan view of my new outdoor cot of FIG. 1.

The broken lines are for environmental purposes only and form no part of the claimed design.

**1 Claim, 7 Drawing Sheets**



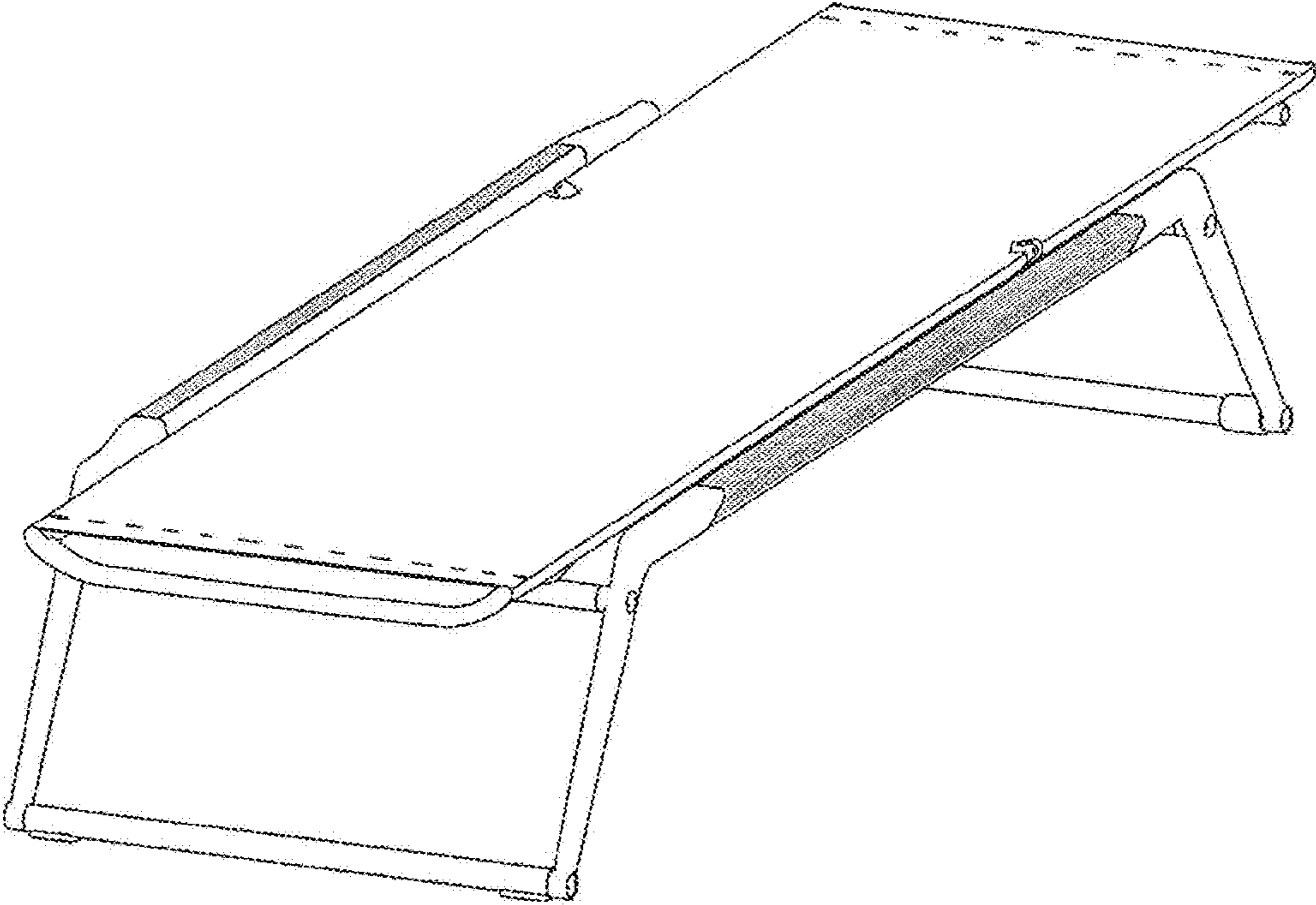


FIG. 1

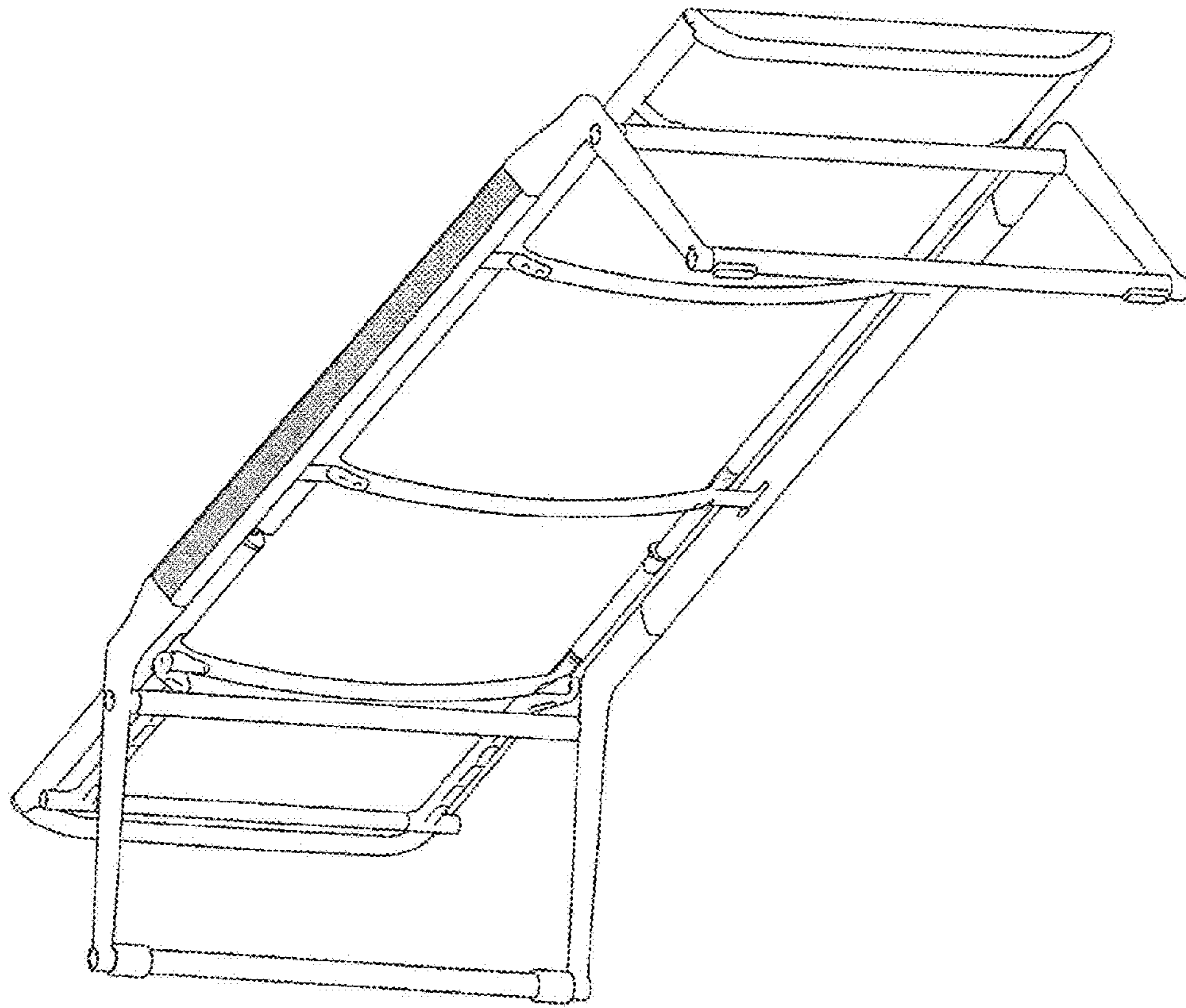


FIG. 2

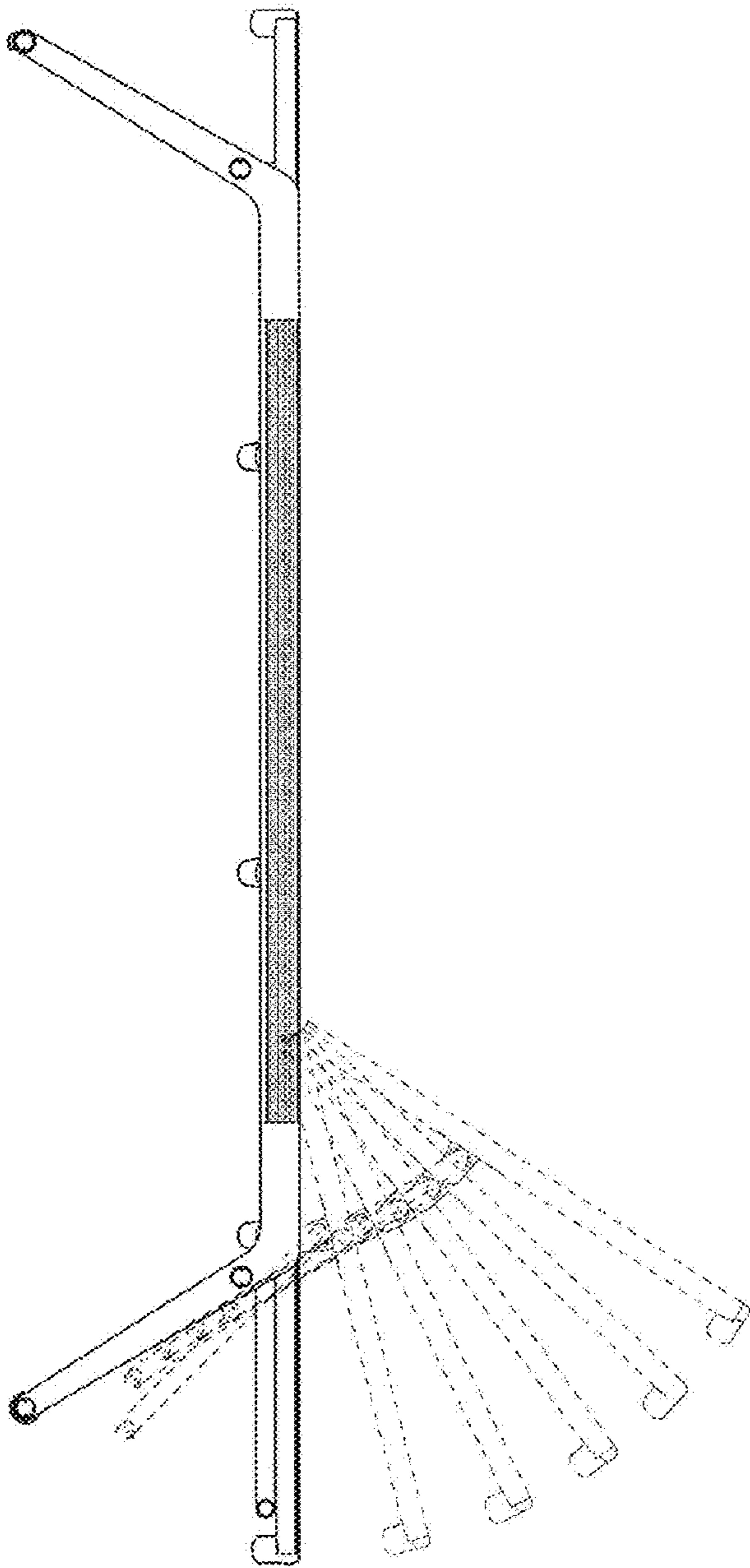


FIG. 4

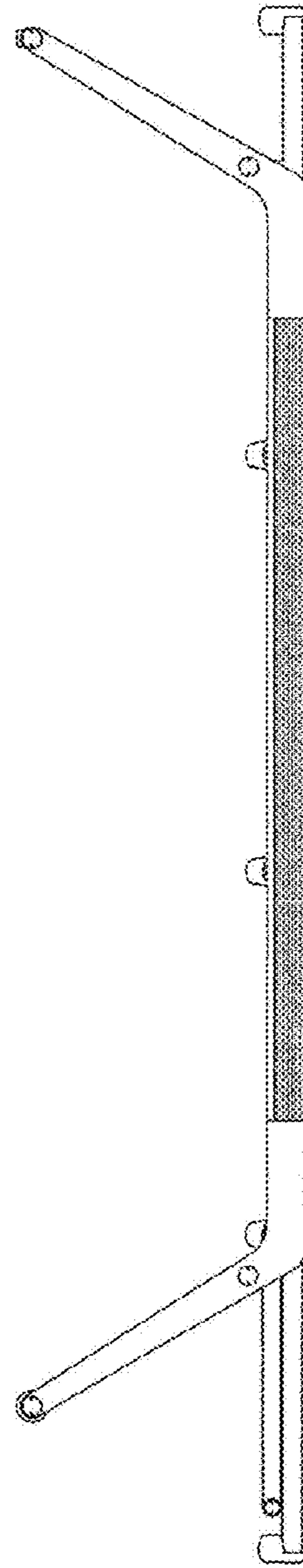


FIG. 3

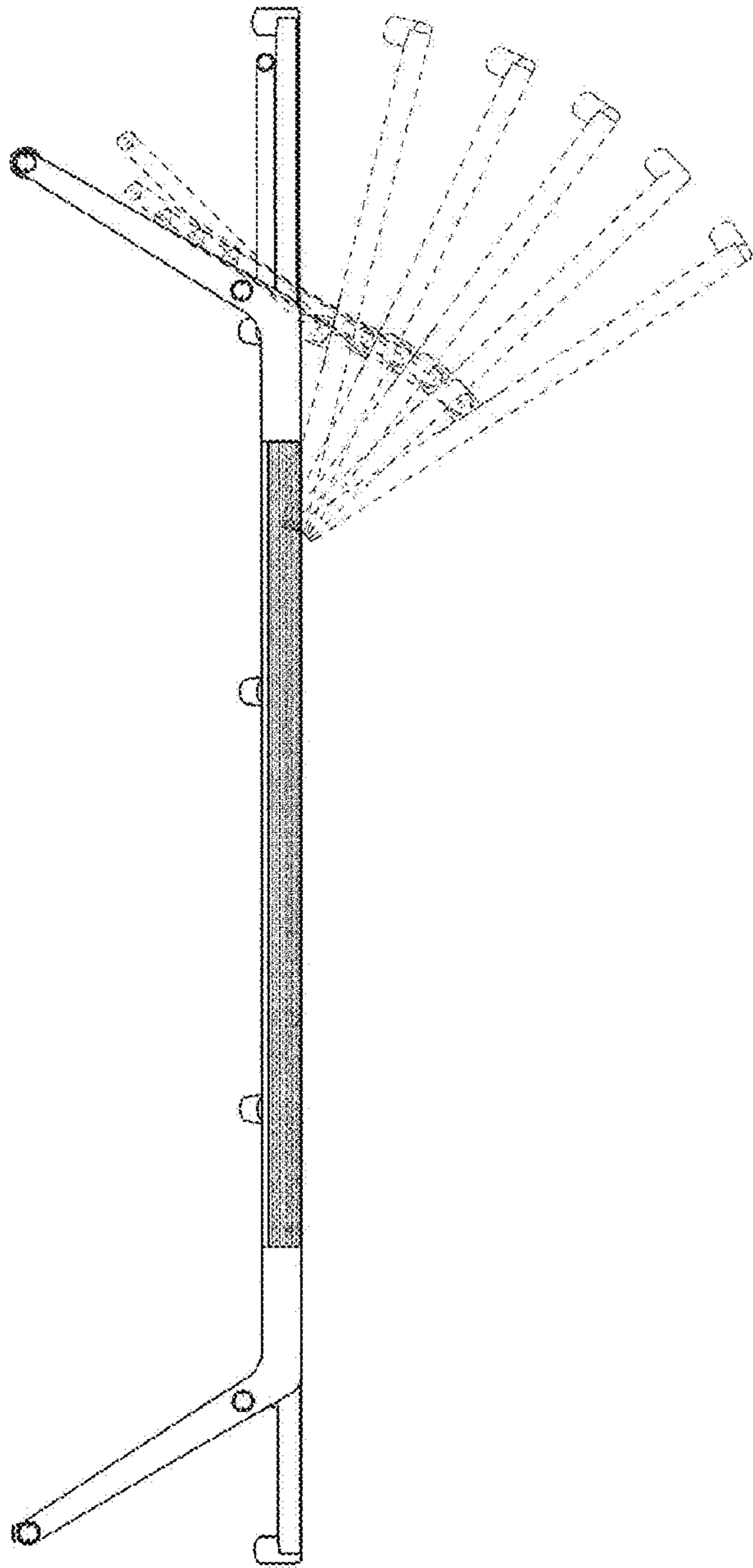


FIG. 6

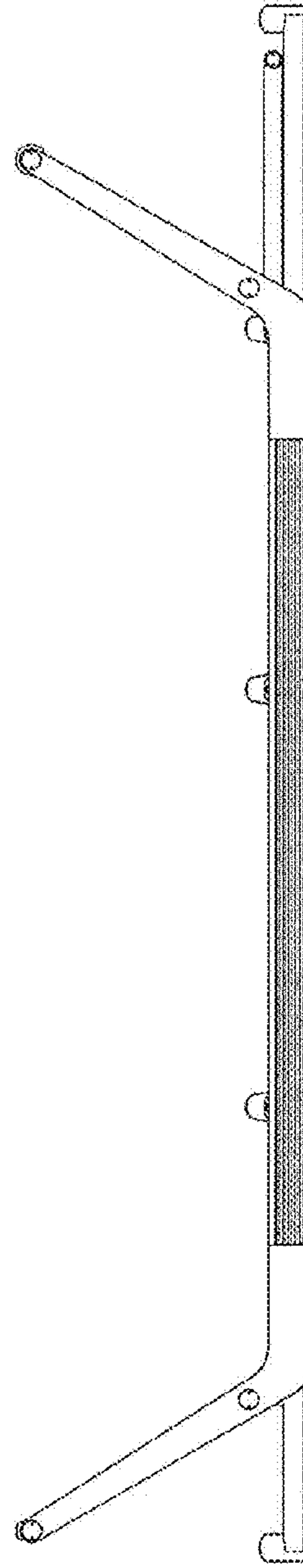


FIG. 5

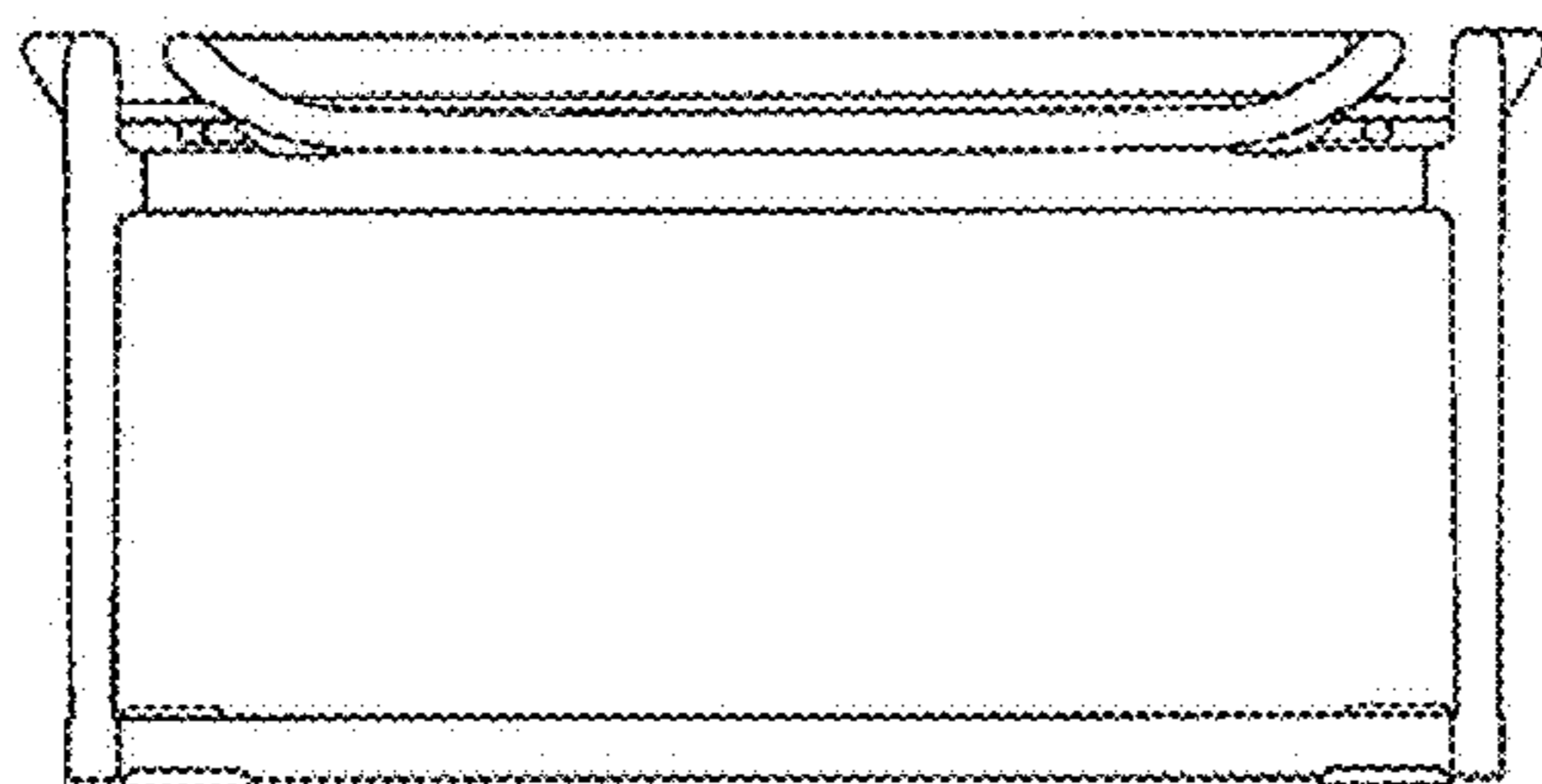


FIG. 7

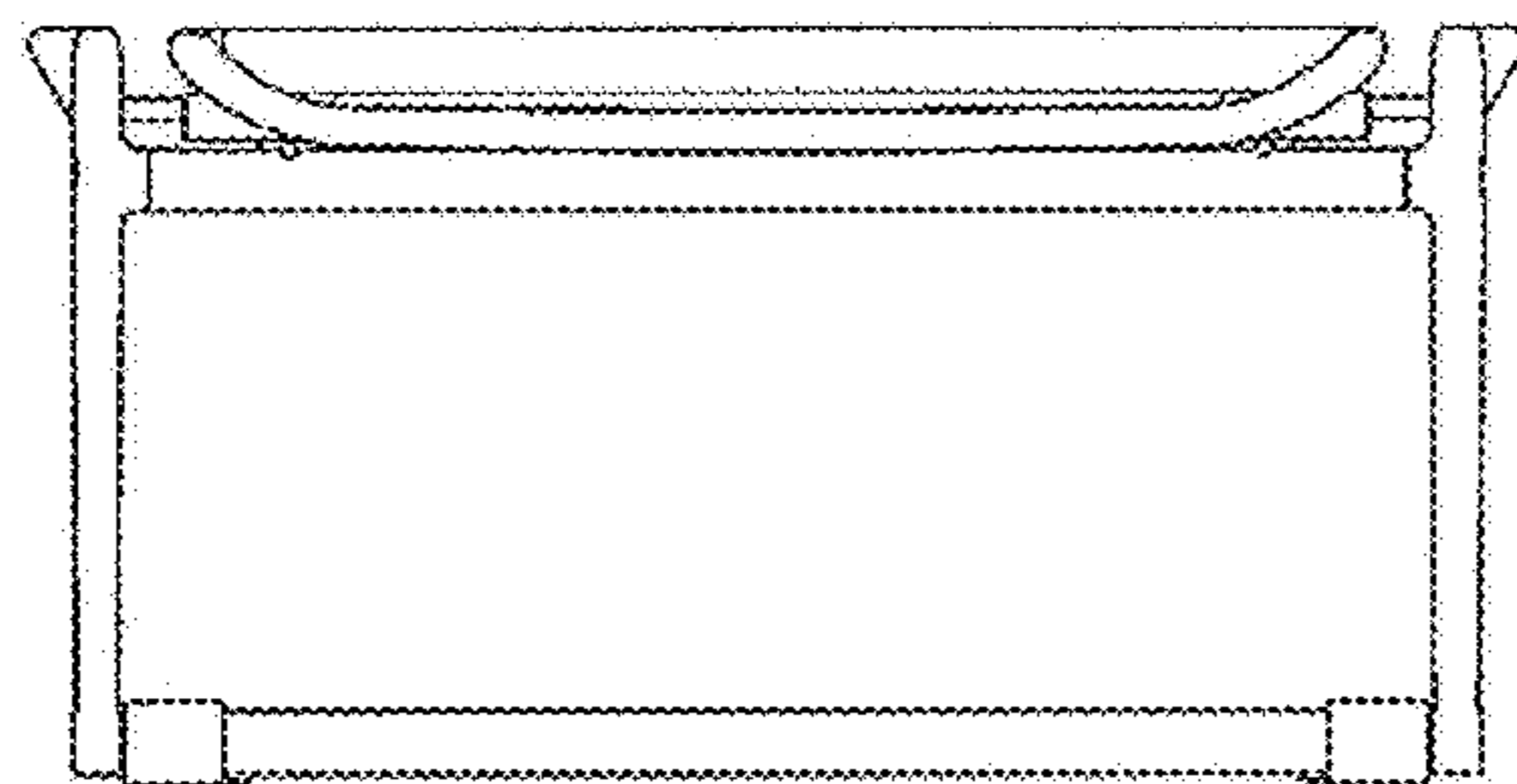


FIG. 8

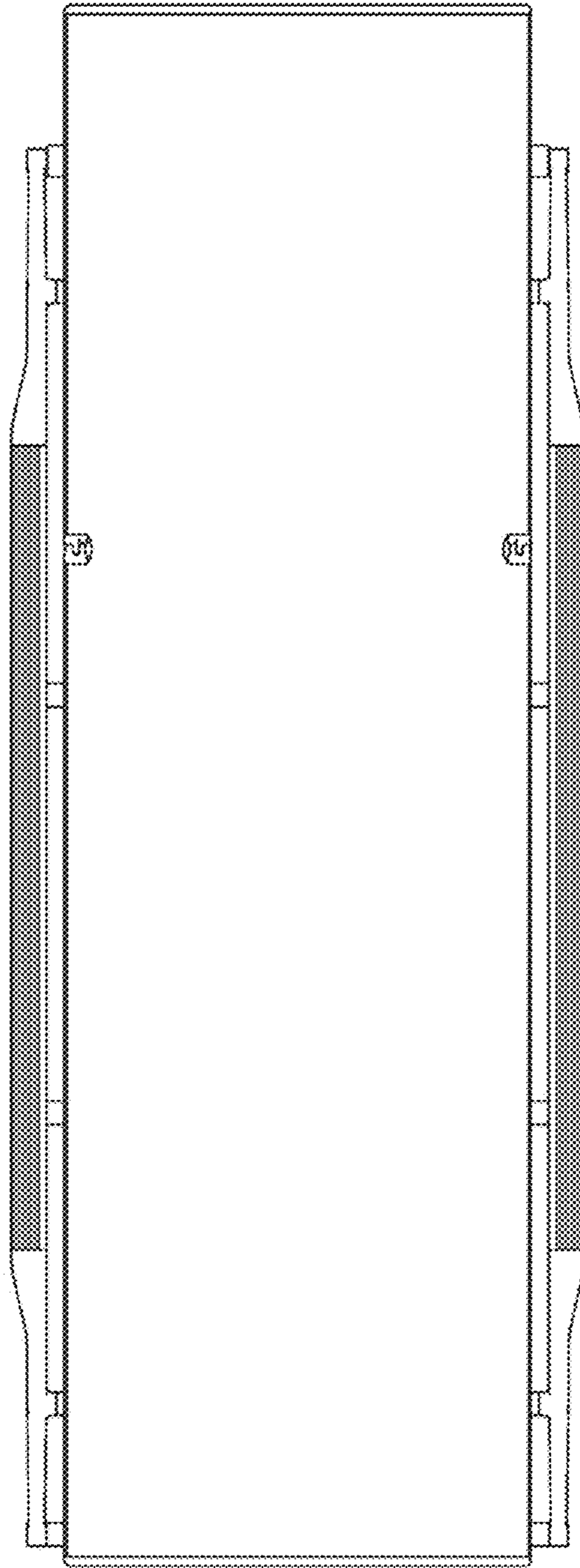


FIG. 9

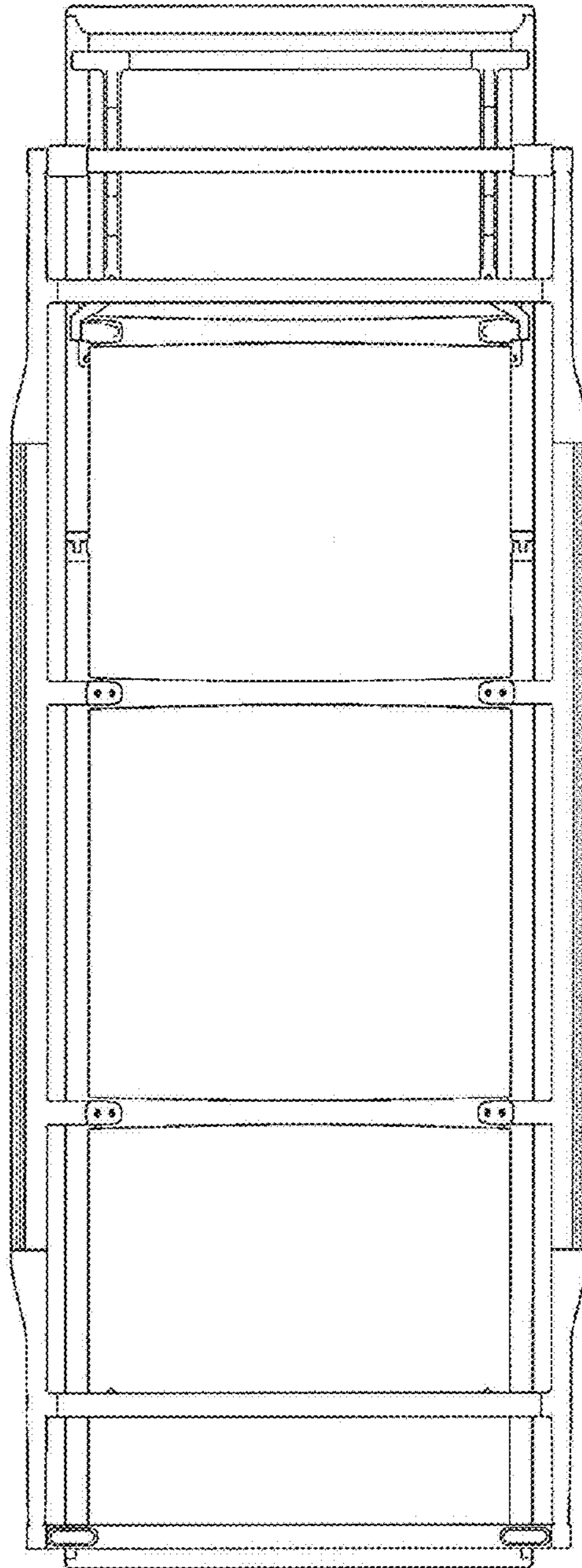


FIG. 10



UNITED STATES PATENT AND TRADEMARK OFFICE  
**CERTIFICATE OF CORRECTION**

PATENT NO. : D738,132 S  
APPLICATION NO. : 29/469298  
DATED : September 8, 2015  
INVENTOR(S) : Antonio Citterio

Page 1 of 1

It is certified that error appears in the above-identified patent and that said Letters Patent is hereby corrected as shown below:

ON THE TITLE PAGE

Page 1, (30) Foreign Application Priority Data: change "MI2013O0091" to -- MI2013O000091 --.

Signed and Sealed this  
Ninth Day of February, 2016



Michelle K. Lee  
*Director of the United States Patent and Trademark Office*