



US00D738131S

(12) **United States Design Patent**
Starck

(10) **Patent No.:** **US D738,131 S**
(45) **Date of Patent:** **** Sep. 8, 2015**

(54) **COUCH**

(56) **References Cited**

(71) Applicant: **A3NP Industria E Comercio De Moveis S.A.**, Sao Paulo (BR)

(72) Inventor: **Philippe Starck**, Cascais (PT)

(73) Assignee: **A3NP Industria E Comercio De Moveis S.A.**, Sao Paulo (BR)

(**) Term: **14 Years**

(21) Appl. No.: **29/503,474**

(22) Filed: **Sep. 26, 2014**

(30) **Foreign Application Priority Data**

Apr. 4, 2014 (BR) 302014001496

(51) **LOC (10) Cl.** **06-01**

(52) **U.S. Cl.**
USPC **D6/381**

(58) **Field of Classification Search**
USPC D6/334-338, 349, 355, 361, 368-370,
D6/376, 379-381, 716, 716.1, 716.2, 340,
D6/354, 377; 297/16.1, 42, 94, 135, 175,
297/232, 233, 350, 351, 445.1, 448.1,
297/448.2, 451.9; 5/12.1, 12.2
CPC A47C 1/02; A47C 7/24; A47C 17/00;
A47C 17/02; A47C 17/04; A47C 17/045;
A47C 17/12; A47C 17/132; A47C 17/136

See application file for complete search history.

U.S. PATENT DOCUMENTS

D477,152 S *	7/2003	Levy	D6/381
D493,039 S *	7/2004	Ricci	D6/381
D515,333 S *	2/2006	Natuzzi	D6/381
D515,334 S *	2/2006	Natuzzi	D6/381
D527,541 S *	9/2006	Natuzzi	D6/381
D578,799 S *	10/2008	Ricci	D6/381
D600,037 S *	9/2009	Natuzzi	D6/381
D600,039 S *	9/2009	Natuzzi	D6/381
D677,490 S *	3/2013	Manzoni et al.	D6/381
D718,552 S *	12/2014	Kanhasamy	D6/381
D720,944 S *	1/2015	Barber et al.	D6/381

* cited by examiner

Primary Examiner — Sandra Snapp

(74) *Attorney, Agent, or Firm* — Brian J. Colandreo; Jeffrey T. Placker; Holland & Knight LLP

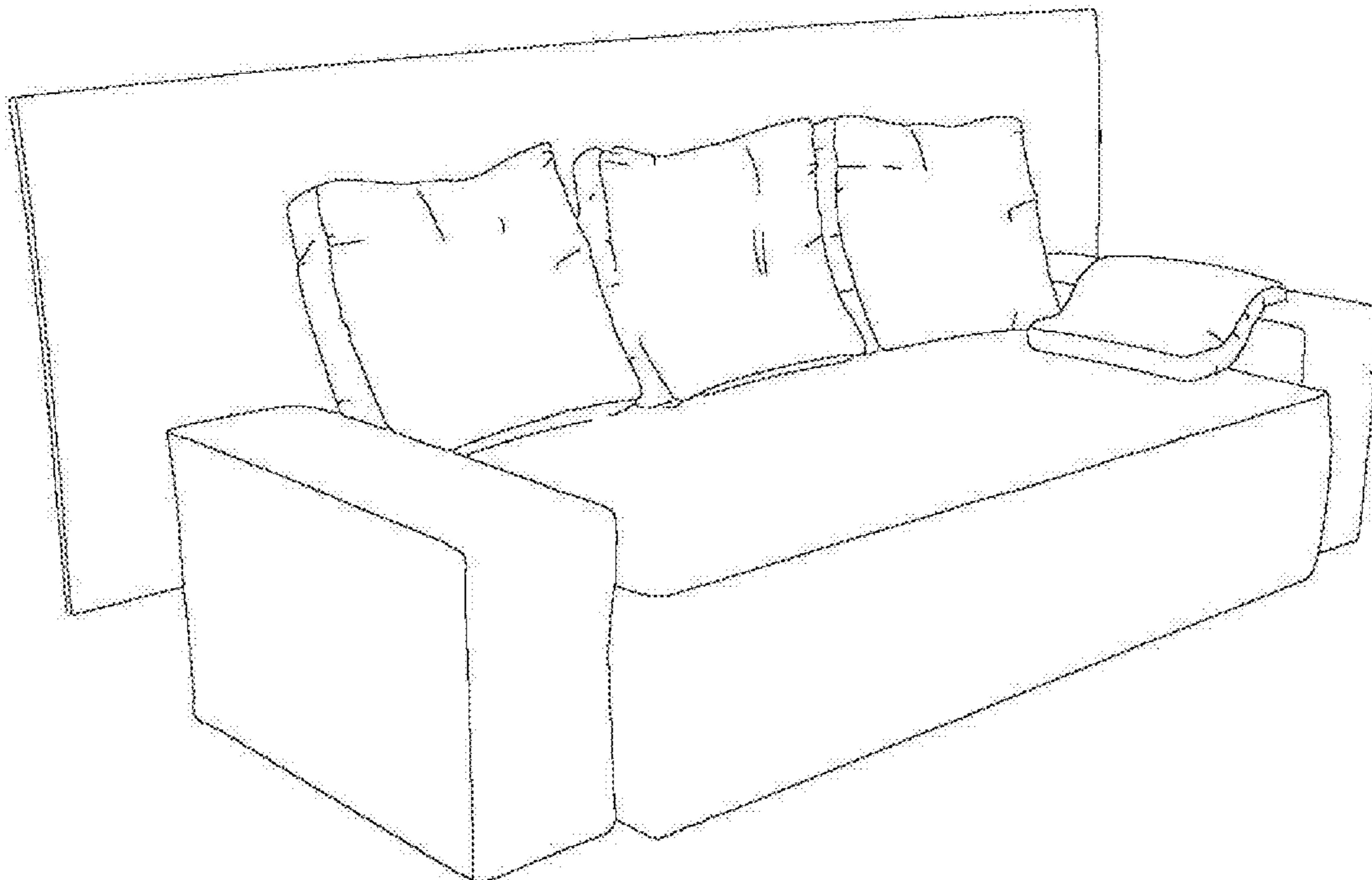
(57) **CLAIM**

The ornamental design for a couch, as shown and described.

DESCRIPTION

FIG. 1 is a front perspective view of a couch;
FIG. 2 is a rear perspective view thereof;
FIG. 3 is a front elevation view thereof;
FIG. 4 is a rear elevation view thereof;
FIG. 5 is a right side elevation view thereof;
FIG. 6 is a left side elevation view thereof;
FIG. 7 is a top plan view thereof; and,
FIG. 8 is a bottom plan view thereof.

1 Claim, 4 Drawing Sheets



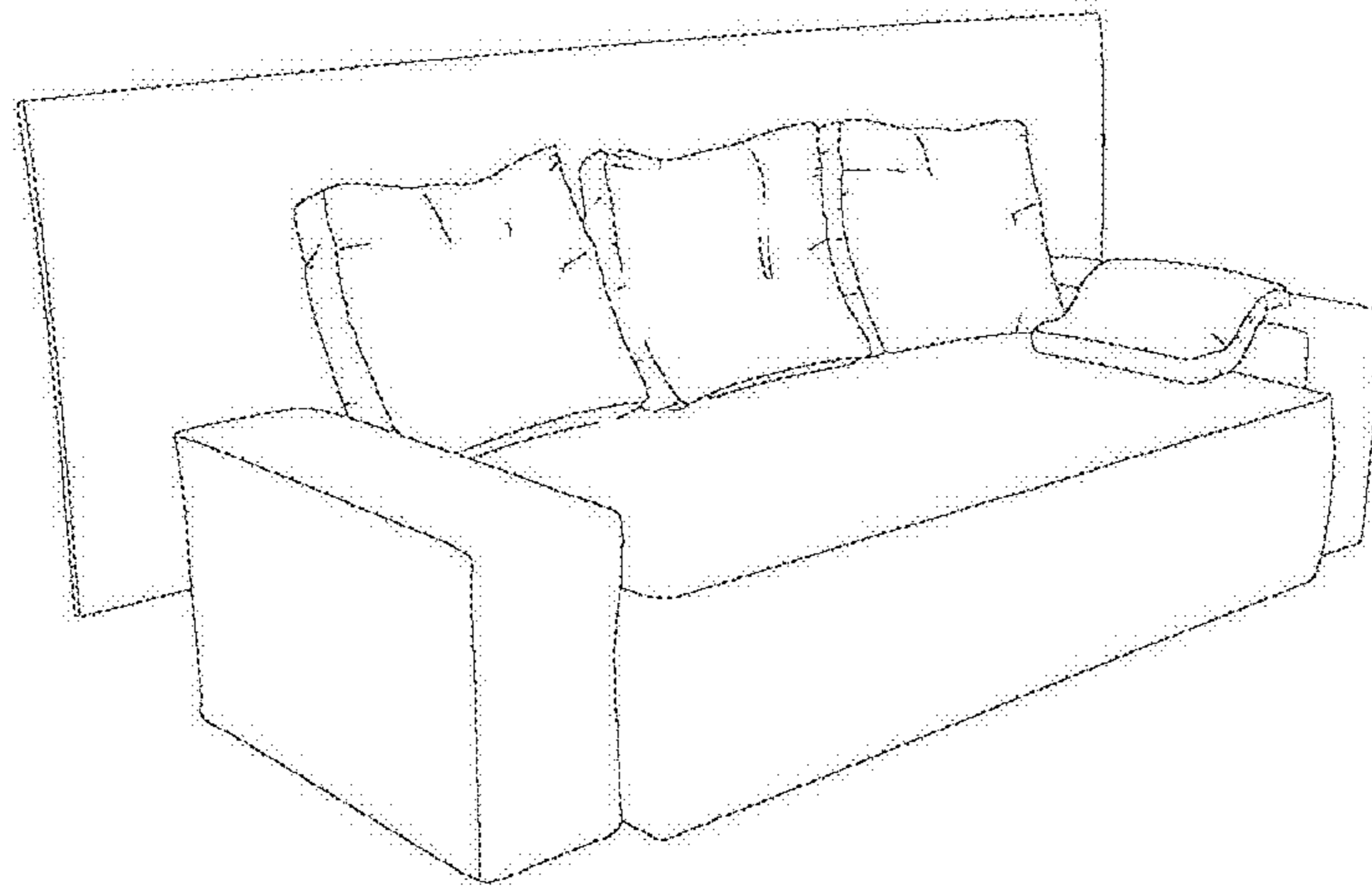


FIG. 1

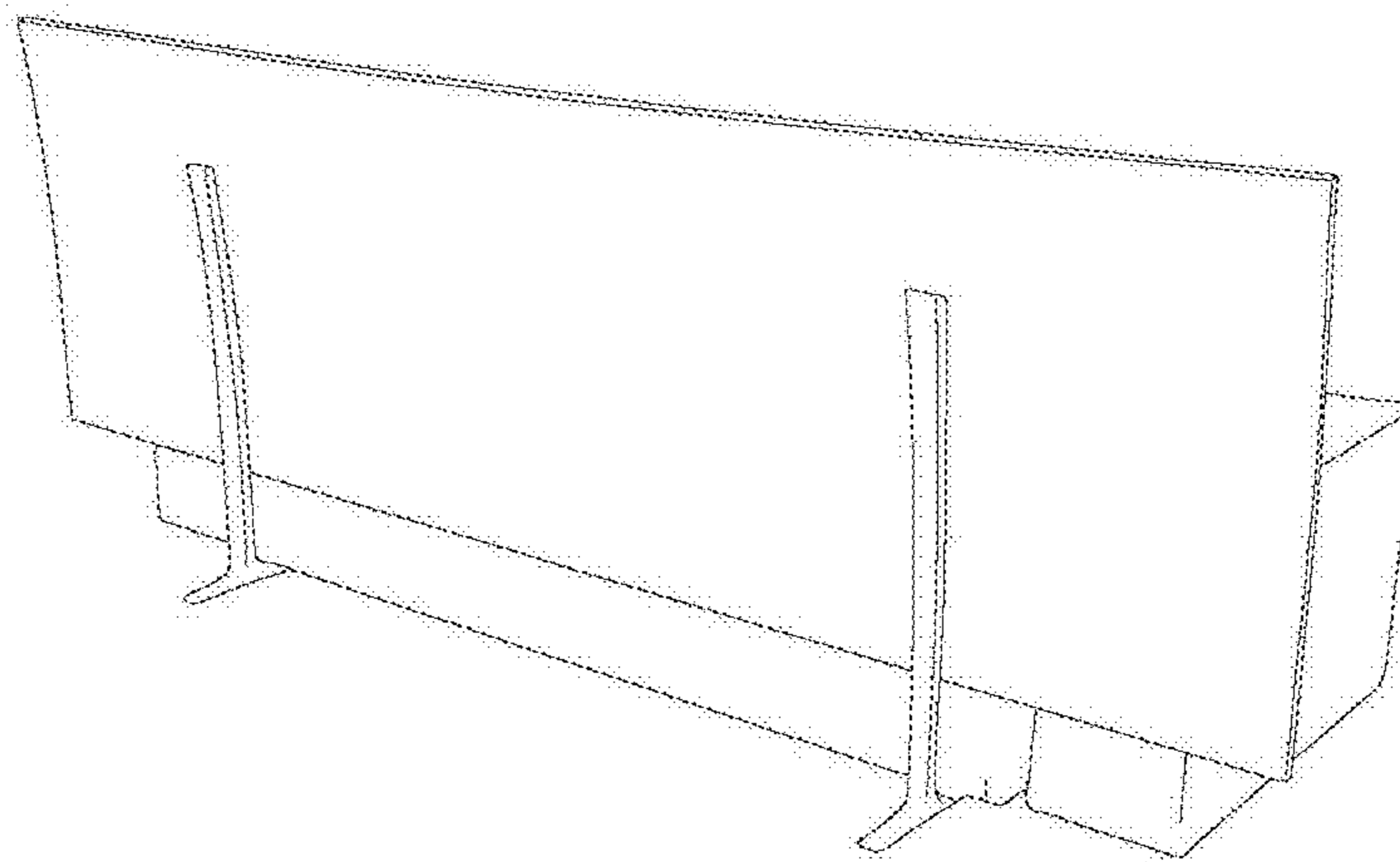


FIG. 2

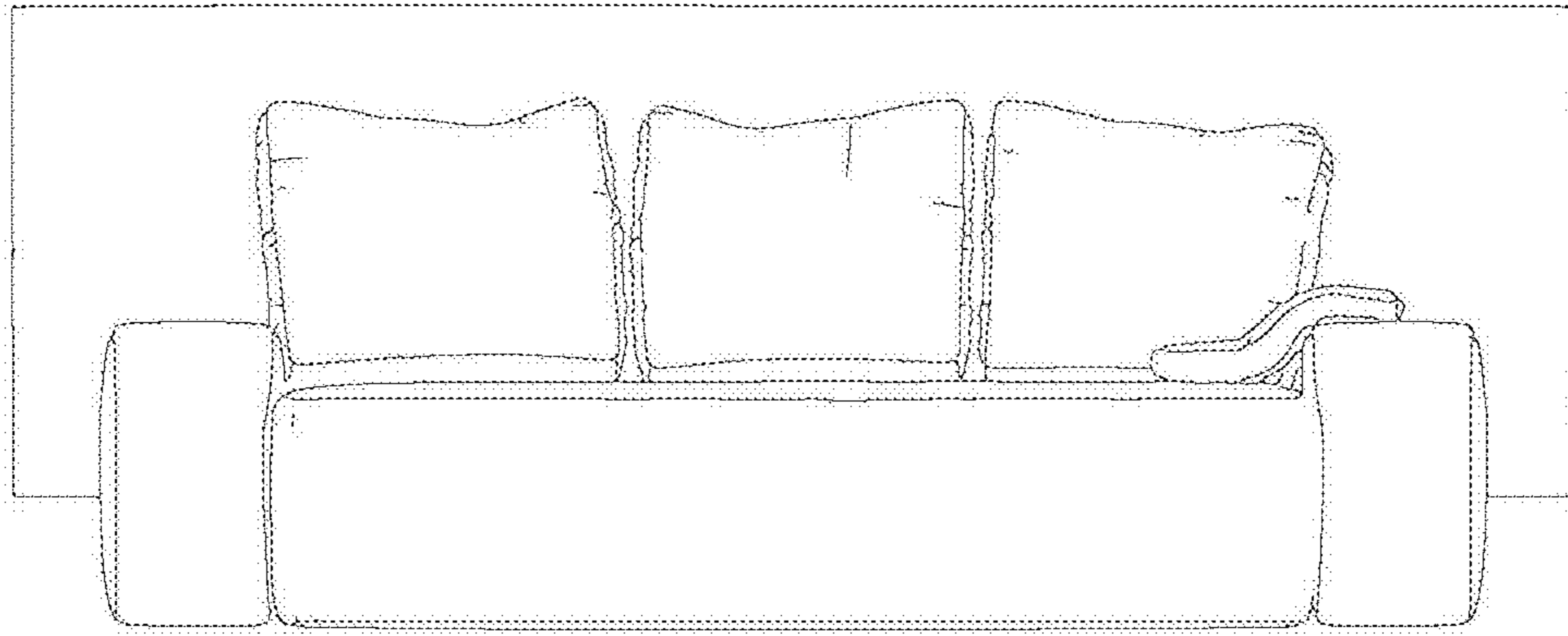


FIG. 3



FIG. 4

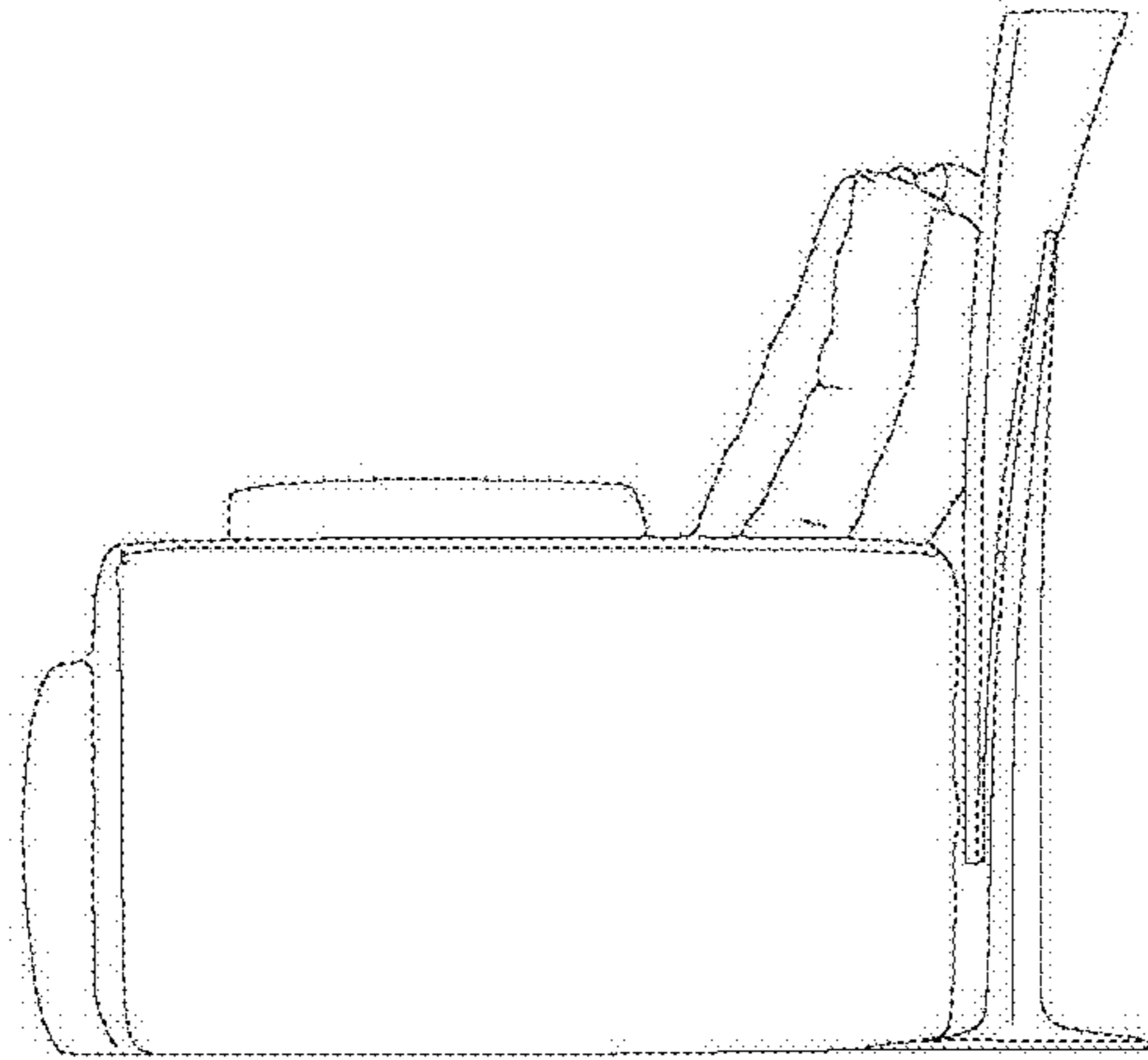


FIG. 5

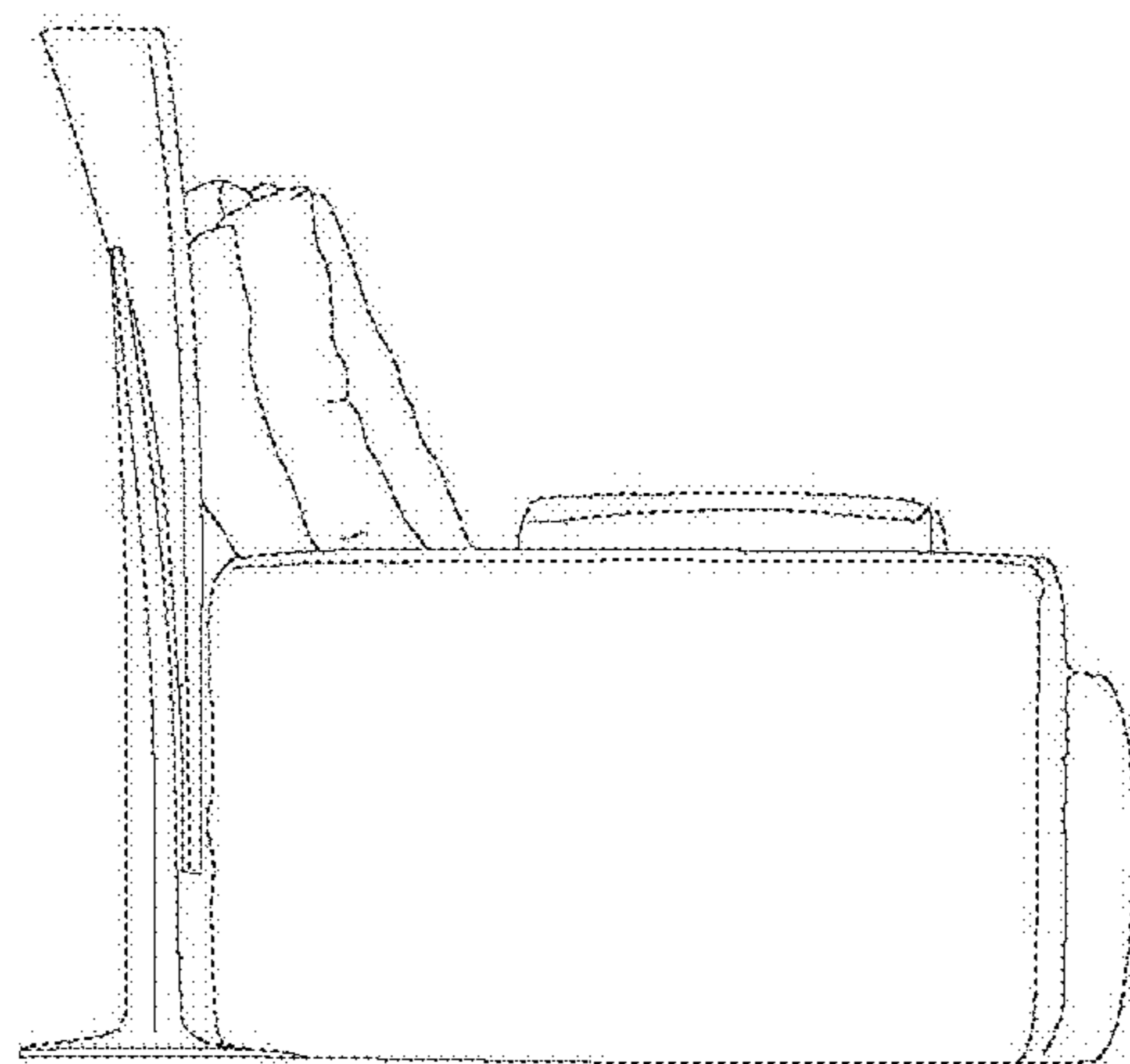


FIG. 6

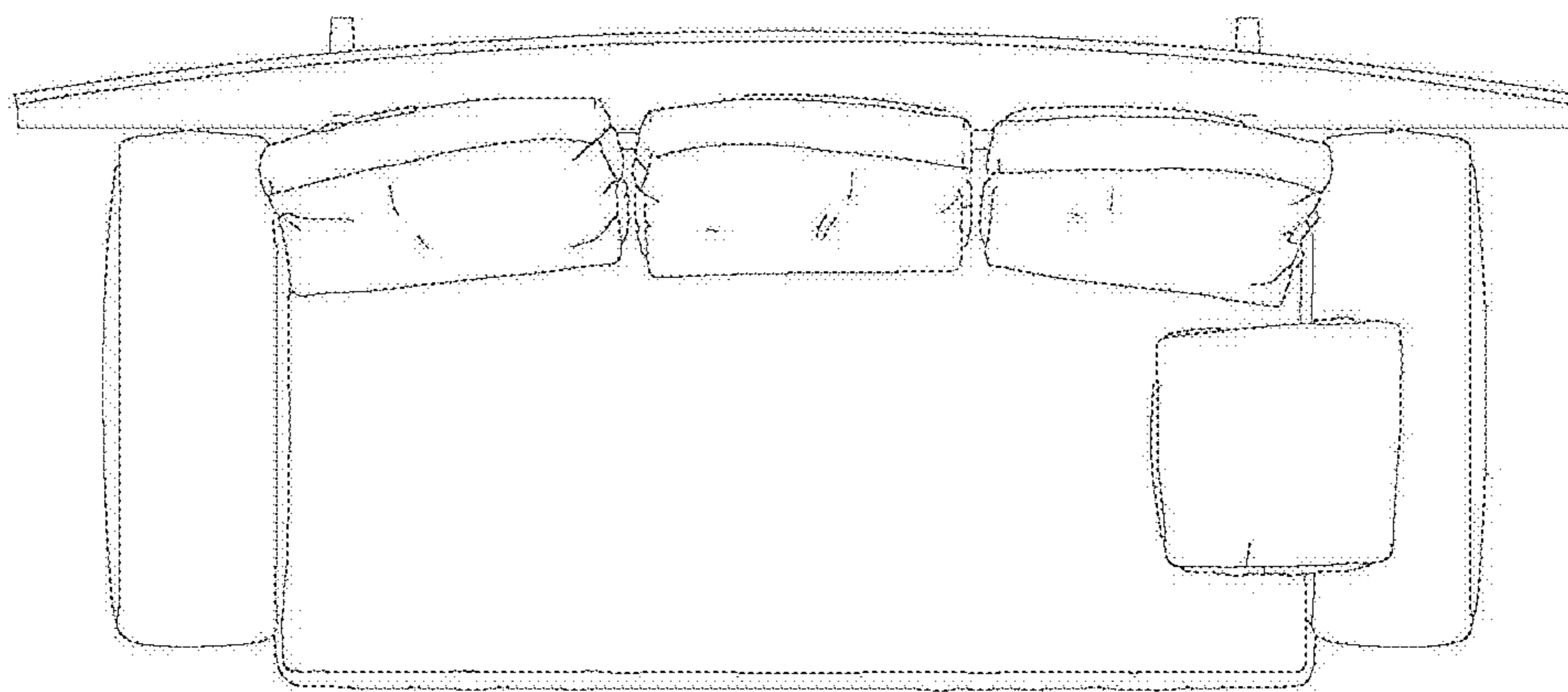


FIG. 7

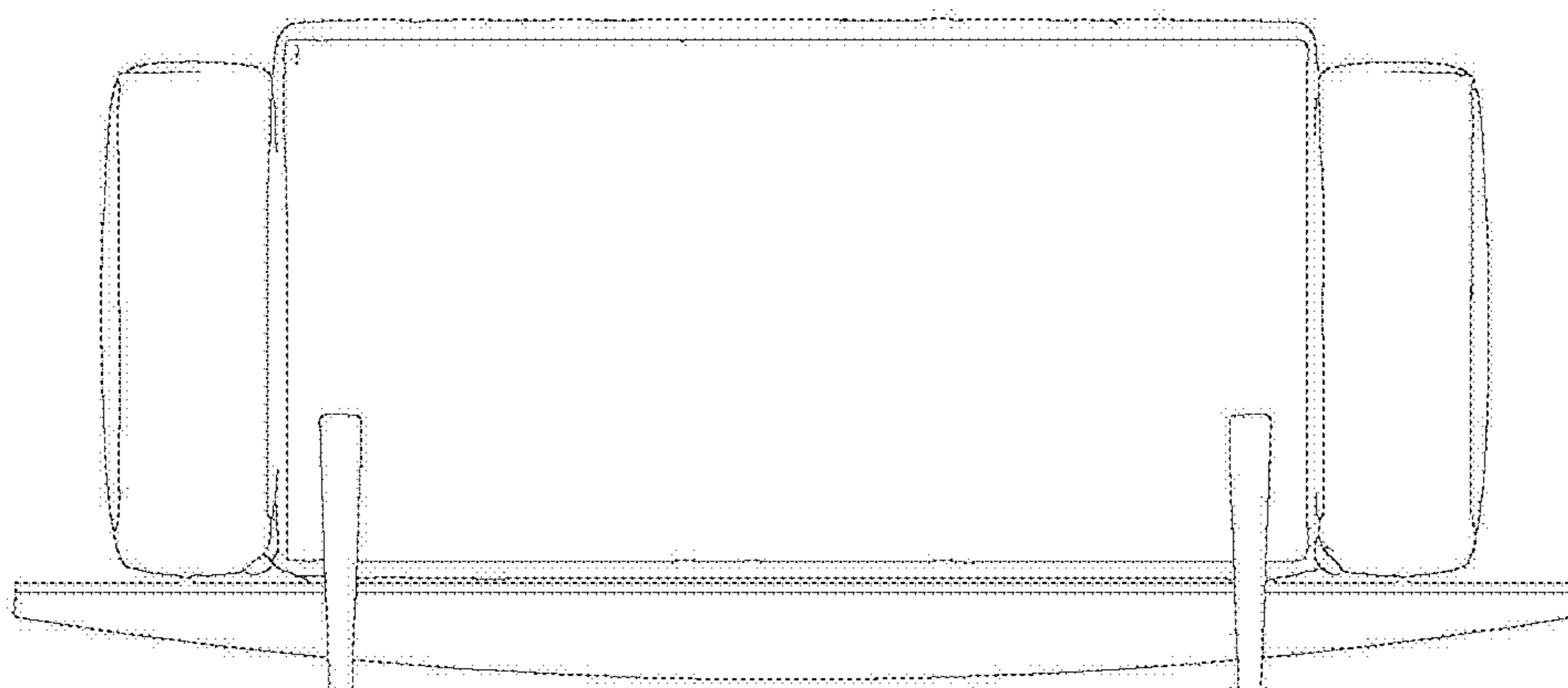


FIG. 8