



US00D738130S

(12) **United States Design Patent**
Starck

(10) **Patent No.:** **US D738,130 S**
(45) **Date of Patent:** **** Sep. 8, 2015**

- (54) **COUCH**
- (71) Applicant: **A3NP Industria E Comercio De Moveis S.A.**, Sao Paulo (BR)
- (72) Inventor: **Philippe Starck**, Cascais (PT)
- (73) Assignee: **A3NP Industria E Comercio De Moveis S.A.**, Sao Paulo (BR)
- (**) Term: **14 Years**
- (21) Appl. No.: **29/503,464**
- (22) Filed: **Sep. 26, 2014**
- (30) **Foreign Application Priority Data**
Apr. 4, 2014 (BR) 302014001490
- (51) **LOC (10) Cl.** **06-01**
- (52) **U.S. Cl.**
USPC **D6/381**
- (58) **Field of Classification Search**
USPC D6/334–338, 349, 355, 361, 368–370,
D6/376, 379–381, 716, 716.1, 716.2, 340,
D6/354, 377; 297/16.1, 42, 94, 135, 175,
297/232, 233, 350, 351, 445.1, 448.1,
297/448.2, 451.9; 5/12.1, 12.2
CPC A47C 1/02; A47C 7/24; A47C 17/00;
A47C 17/02; A47C 17/04; A47C 17/045;
A47C 17/12; A47C 17/132; A47C 17/136
See application file for complete search history.

(56) **References Cited**

U.S. PATENT DOCUMENTS

D187,917 S *	5/1960	Spound	D6/334
D224,766 S *	9/1972	Rowland	D6/371
3,700,282 A *	10/1972	Rowland	297/440.23
4,343,509 A *	8/1982	Lundgren	297/232
D335,588 S *	5/1993	Beirise	D6/381
D338,349 S *	8/1993	Warnock	D6/381

D367,566 S *	3/1996	Walters et al.	D6/381
D430,740 S *	9/2000	Chun	D6/334
D492,499 S *	7/2004	Relling et al.	D6/381
D499,270 S *	12/2004	Relling et al.	D6/381
D542,557 S *	5/2007	Lade	D6/381
D546,576 S *	7/2007	Grabe	D6/381
D547,563 S *	7/2007	Lade	D6/381
D586,145 S *	2/2009	Guinochet	D6/381
D606,325 S *	12/2009	Gharabegian	D6/334
D616,215 S *	5/2010	Andersen	D6/381
D630,450 S *	1/2011	Wold	D6/381
D633,312 S *	3/2011	Wold	D6/381
D633,726 S *	3/2011	Wold	D6/381
D633,727 S *	3/2011	Wold	D6/381
D679,512 S *	4/2013	Lade	D6/334
D679,919 S *	4/2013	Lade	D6/381
D680,348 S *	4/2013	Lade	D6/381
D680,772 S *	4/2013	Lade	D6/381
D681,353 S *	5/2013	Lade	D6/334
D682,577 S *	5/2013	Lade	D6/381
D687,241 S *	8/2013	Beucler et al.	D6/381
D702,053 S *	4/2014	Beucler et al.	D6/381
D702,452 S *	4/2014	Beucler et al.	D6/381
D702,957 S *	4/2014	Natuzzi	D6/381
D725,931 S *	4/2015	Lievore et al.	D6/381

* cited by examiner

Primary Examiner — Sandra Snapp

(74) *Attorney, Agent, or Firm* — Brian J. Colandreo; Jeffrey T. Placker; Holland & Knight LLP

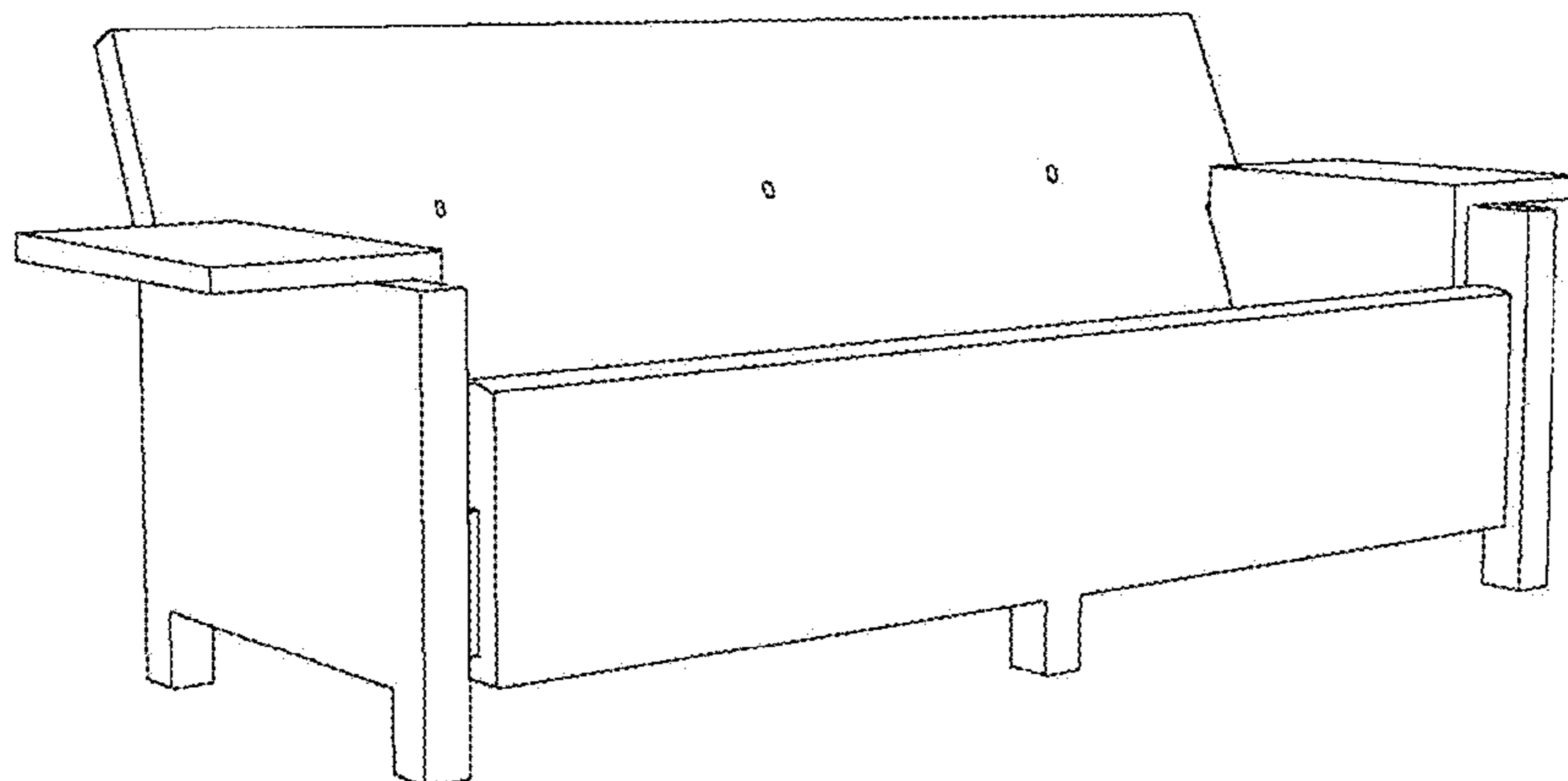
(57) **CLAIM**

The ornamental design for a couch, as shown and described.

DESCRIPTION

FIG. 1 is a front perspective view of a couch;
 FIG. 2 is a rear perspective view thereof;
 FIG. 3 is a front elevation view thereof;
 FIG. 4 is a rear elevation view thereof;
 FIG. 5 is a right side elevation view thereof;
 FIG. 6 is a left side elevation view thereof;
 FIG. 7 is a top plan view thereof; and,
 FIG. 8 is a bottom plan view thereof.

1 Claim, 4 Drawing Sheets



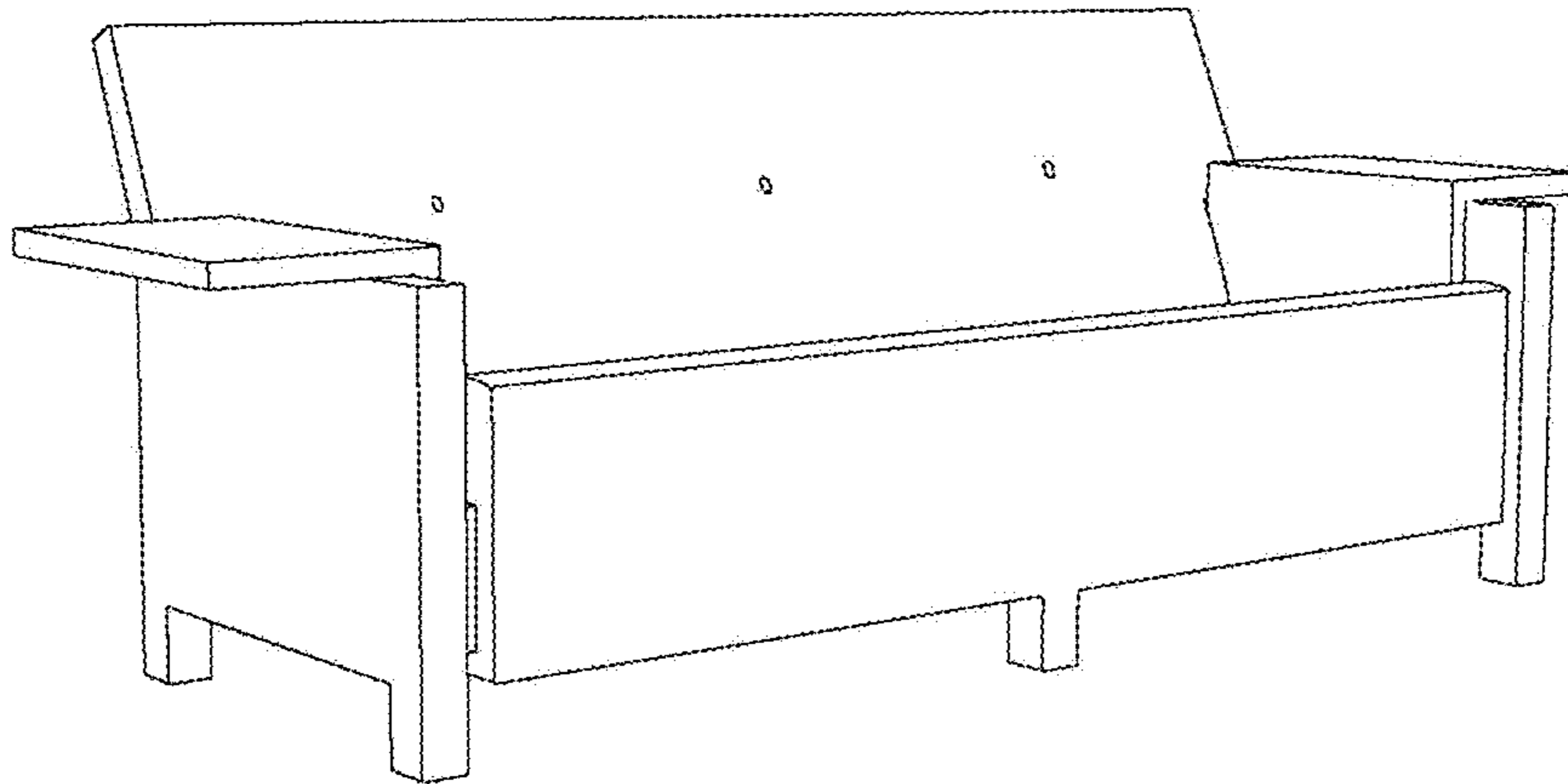


FIG. 1

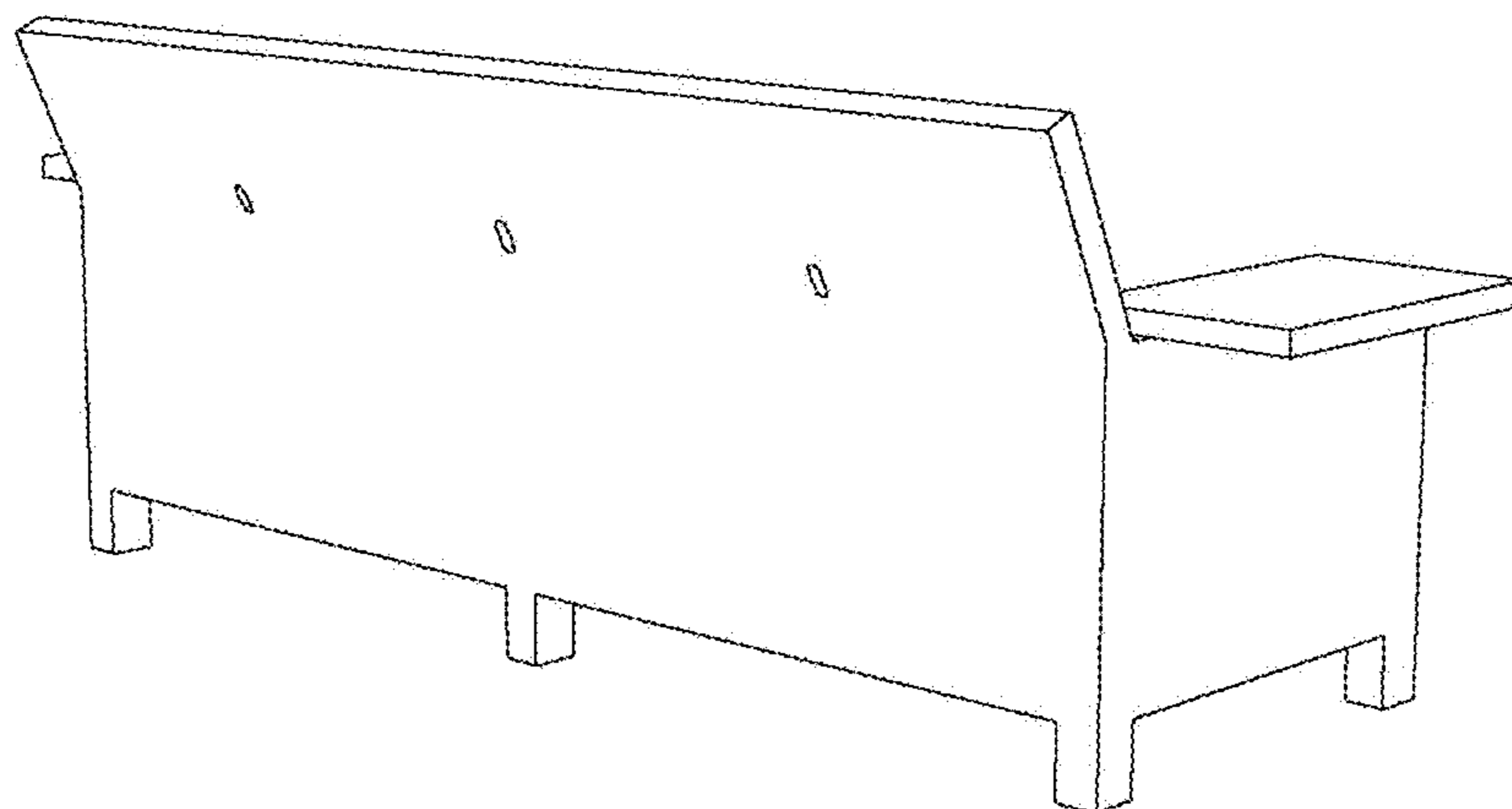


FIG. 2

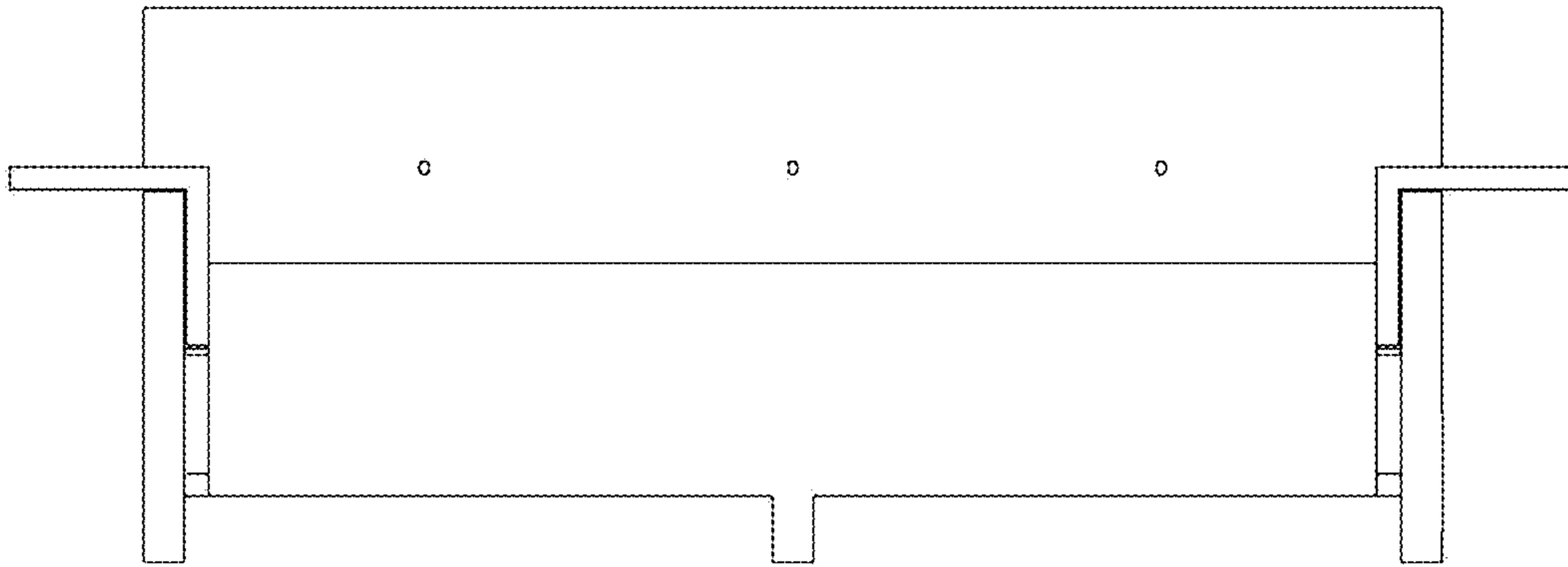


FIG. 3

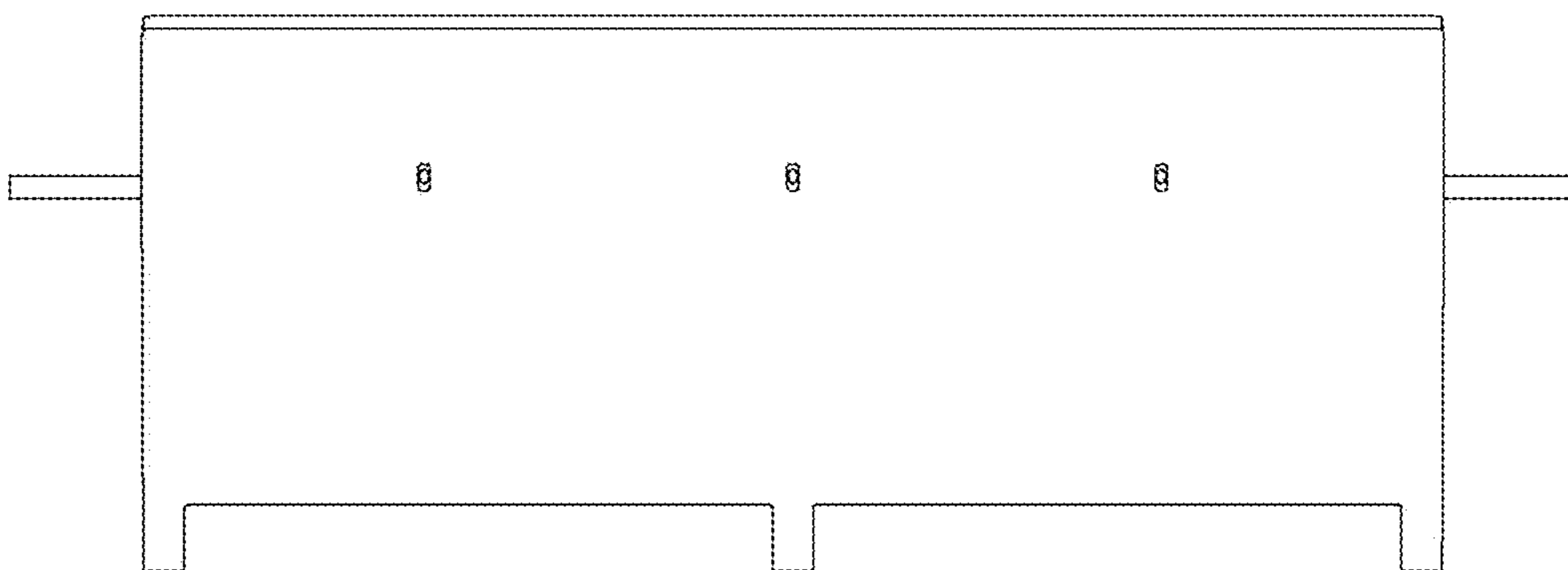


FIG. 4

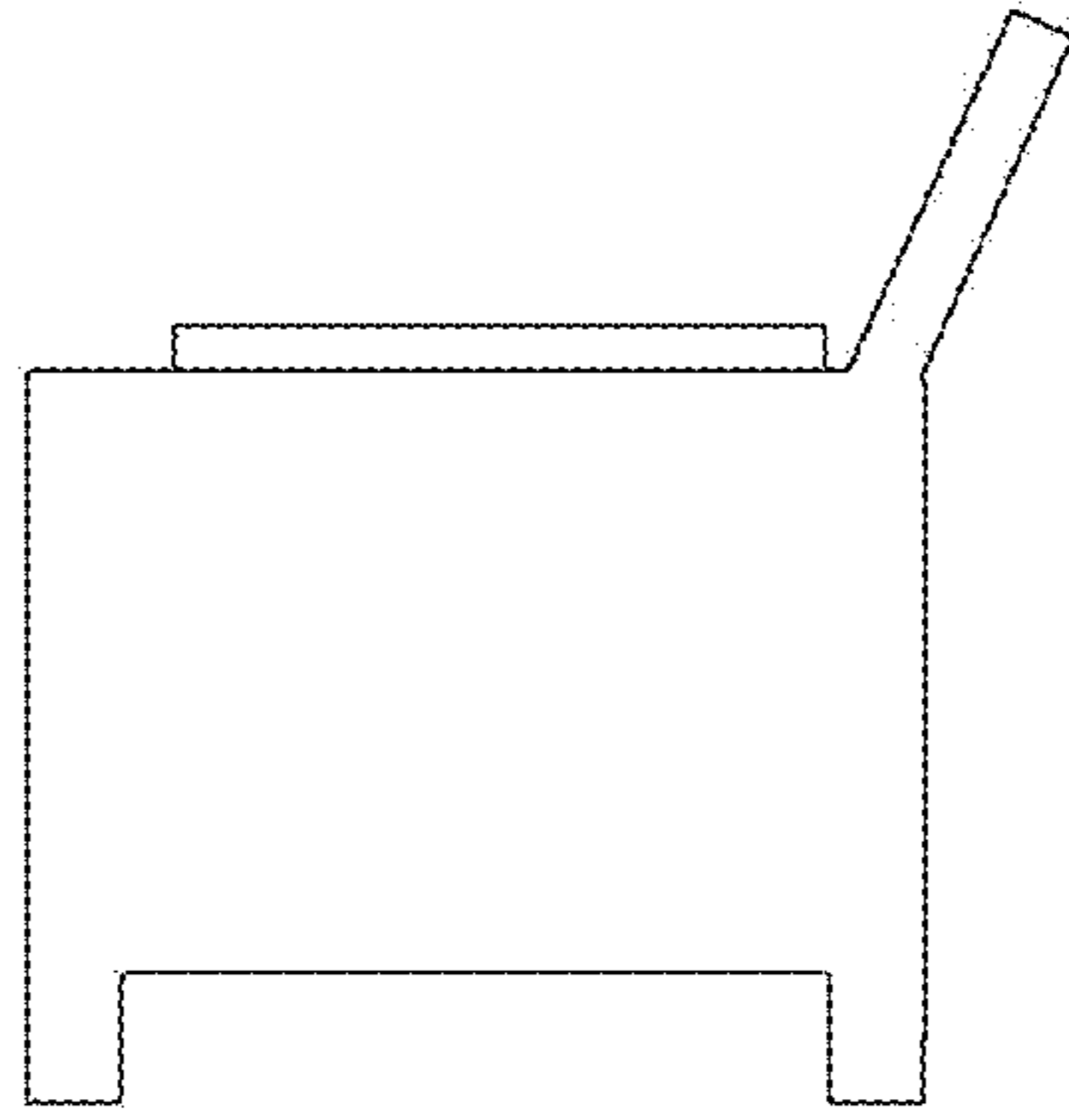


FIG. 5

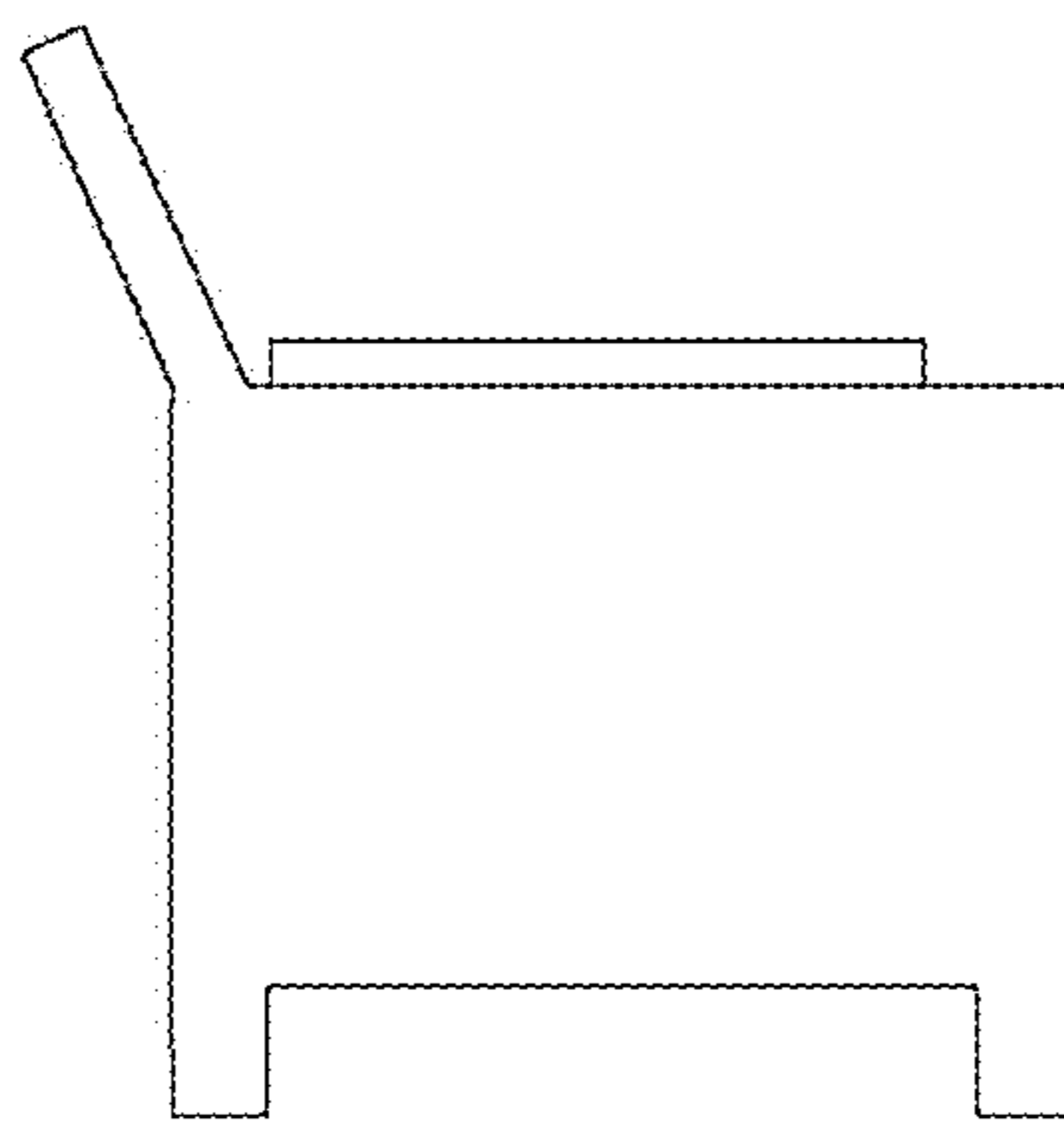


FIG. 6

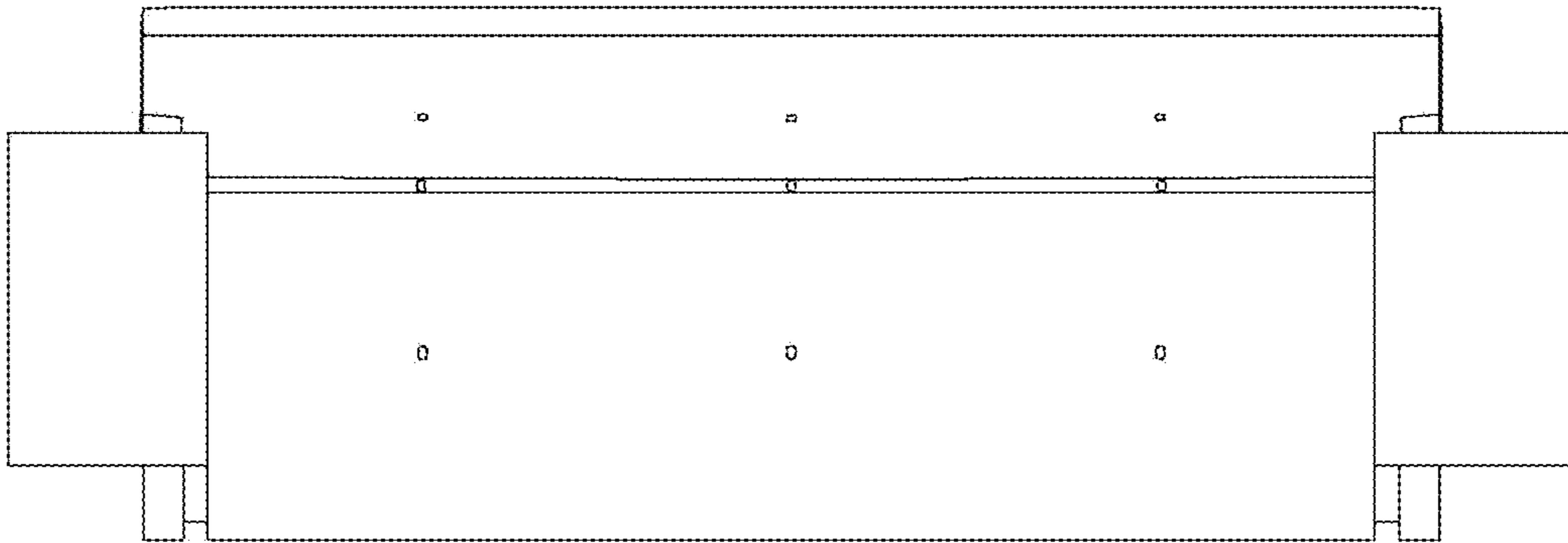


FIG. 7

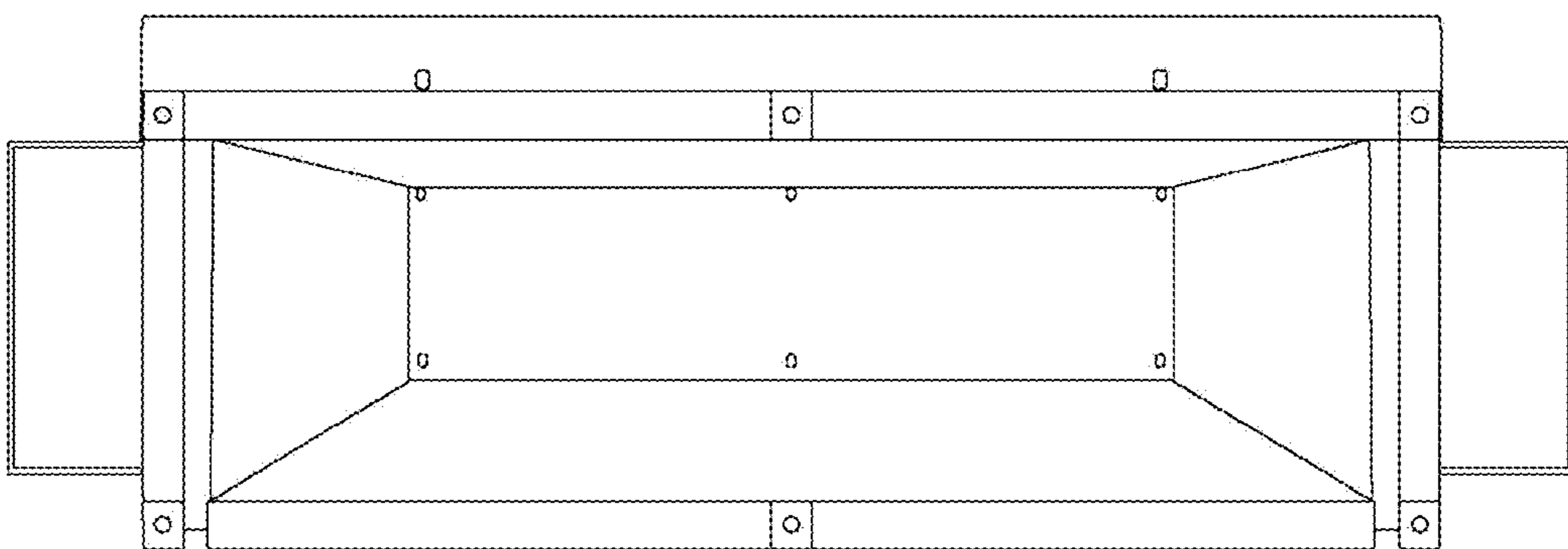


FIG. 8