



US00D738129S

(12) **United States Design Patent**
Wu

(10) **Patent No.:** **US D738,129 S**
(45) **Date of Patent:** **** Sep. 8, 2015**

(54) **CHAIR**

(71) Applicant: **Yao-Chuan Wu**, Chiayi Hsien (TW)

(72) Inventor: **Yao-Chuan Wu**, Chiayi Hsien (TW)

(**) Term: **14 Years**

(21) Appl. No.: **29/499,349**

(22) Filed: **Aug. 14, 2014**

(51) **LOC (10) Cl.** **06-01**

(52) **U.S. Cl.**
USPC **D6/366**

(58) **Field of Classification Search**
USPC D6/334-336, 364, 365, 366, 374, 375,
D6/379, 716, 716.1, 716.2, 716.4
CPC A47C 4/02; A47C 4/03; A47C 7/022;
A47C 7/40; A47C 7/18; A47C 7/54; A47C
1/03255
See application file for complete search history.

(56) **References Cited**

U.S. PATENT DOCUMENTS

D417,966 S *	12/1999	Beaulieu	D6/366
D492,494 S *	7/2004	Tai	D6/366
D541,063 S *	4/2007	Su	D6/366
D604,527 S *	11/2009	Ooki et al.	D6/366

D634,558 S *	3/2011	Deisig	D6/366
D645,684 S *	9/2011	Chen	D6/716.4
D695,537 S *	12/2013	Geelen	D6/366
D697,732 S *	1/2014	Wan et al.	D6/366
D705,561 S *	5/2014	Massaud	D6/366
D707,460 S *	6/2014	Giugiaro	D6/366

* cited by examiner

Primary Examiner — Mimoso De

(74) *Attorney, Agent, or Firm* — C. G. Mersereau; Nikolai & Mersereau, P.A.

(57) **CLAIM**
The ornamental design for a chair, as shown.

DESCRIPTION

FIG. 1 is a front perspective view of a chair showing my new design;
FIG. 2 is a rear perspective view thereof;
FIG. 3 is a front view thereof;
FIG. 4 is a rear view thereof;
FIG. 5 is a left side view thereof;
FIG. 6 is a right side view thereof;
FIG. 7 is a top view thereof; and,
FIG. 8 is a bottom view thereof.

1 Claim, 8 Drawing Sheets





FIG. 1



FIG.2



FIG.3



FIG.4



FIG.5



FIG.6



FIG.7

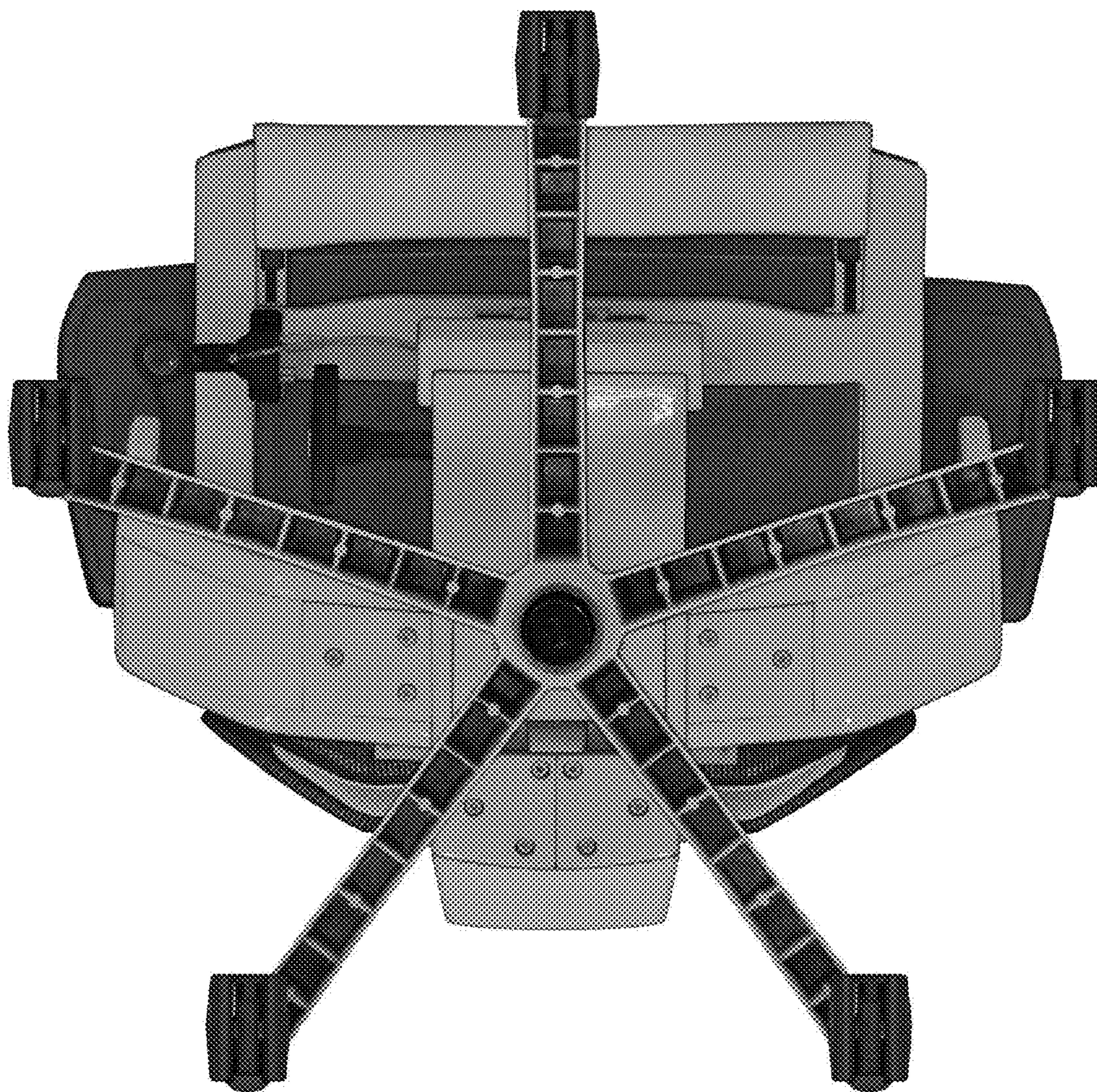


FIG. 8