



US00D738127S

(12) **United States Design Patent**
Nishida et al.

(10) **Patent No.:** **US D738,127 S**
(45) **Date of Patent:** **** Sep. 8, 2015**

- (54) **VEHICLE SEAT**
- (71) Applicants: **Shunsuke Nishida**, Ibaraki (JP);
Yasuhiro Yanagida, Kawasaki (JP);
Hirofumi Wada, Shimotsuke (JP)
- (72) Inventors: **Shunsuke Nishida**, Ibaraki (JP);
Yasuhiro Yanagida, Kawasaki (JP);
Hirofumi Wada, Shimotsuke (JP)
- (73) Assignee: **Komatsu Ltd.**, Tokyo (JP)
- (**) Term: **14 Years**
- (21) Appl. No.: **29/491,262**
- (22) Filed: **May 19, 2014**

D478,221 S	8/2003	Pfeiffer et al.
D507,122 S	7/2005	Beermann
D534,005 S	12/2006	Beermann
D535,485 S	1/2007	Moburg
D541,542 S	5/2007	Yokoyama et al.
D578,785 S	10/2008	Wyszogrod et al.
D592,413 S *	5/2009	Higashida D6/356
D605,879 S *	12/2009	Krauss et al. D6/708.21
7,644,992 B2	1/2010	Becker et al.
D614,878 S	5/2010	Higashida et al.
D626,349 S *	11/2010	Bashir et al. D6/356
D650,187 S	12/2011	Nakaminami et al.
D653,866 S	2/2012	Wada
D653,867 S	2/2012	Wada et al.
D661,115 S	6/2012	Wada et al.
D665,588 S	8/2012	Wada et al.
D682,571 S	5/2013	Ali et al.
D695,535 S *	12/2013	Moburg et al. D6/356

(Continued)

Related U.S. Application Data

- (62) Division of application No. 29/457,733, filed on Jun. 12, 2013, now Pat. No. Des. 711,125.
- (51) **LOC (10) Cl.** **06-01**
- (52) **U.S. Cl.**
USPC **D6/356**
- (58) **Field of Classification Search**
USPC D6/334-336, 356, 367, 368, 374, 375,
D6/708.21, 716, 716.1-716.5
CPC A47C 7/022; A47C 7/18; A47C 7/40;
B60N 2/22; B60N 2/48; B60N 2/66; B60N
2/449; B60N 2/4882
See application file for complete search history.

References Cited

U.S. PATENT DOCUMENTS

D332,181 S *	1/1993	Sacco et al.	D6/356
D356,694 S *	3/1995	Armbrecht	D6/356
D411,377 S *	6/1999	Sacco et al.	D6/356
D426,392 S	6/2000	Ott et al.	
D440,062 S *	4/2001	Tsay	D6/356
D460,279 S	7/2002	Moburg	
D465,344 S *	11/2002	Siegert	D6/356

FOREIGN PATENT DOCUMENTS

CN	201030154471 S	11/2010
EP	0012088620004 S	10/2012
EP	0012088620005 S	10/2012

Primary Examiner — Ricky Pham

(74) *Attorney, Agent, or Firm* — Faegre Baker Daniels LLP

(57) **CLAIM**

The ornamental design for a vehicle seat, as shown and described.

DESCRIPTION

FIG. 1 is a front, top and left side perspective view of a vehicle seat showing our new design.
 FIG. 2 is a rear, top and left side perspective view thereof;
 FIG. 3 is a front view thereof;
 FIG. 4 is a rear view thereof;
 FIG. 5 is a top plan view thereof;
 FIG. 6 is a bottom plan view thereof;
 FIG. 7 is a right side view thereof; and,
 FIG. 8 is a left side view thereof.

1 Claim, 8 Drawing Sheets



US D738,127 S

Page 2

(56)

References Cited

U.S. PATENT DOCUMENTS

D711,125 S *	8/2014	Nishida et al.	D6/356	
D723,821 S *	3/2015	Kondou	D6/356	
2007/0057548 A1 *	3/2007	Buffa	297/284.4	
D695,558 S	12/2013	Silverstein		
D707,048 S *	6/2014	Nishida et al.	D6/356	* cited by examiner



FIG. 1



FIG. 2

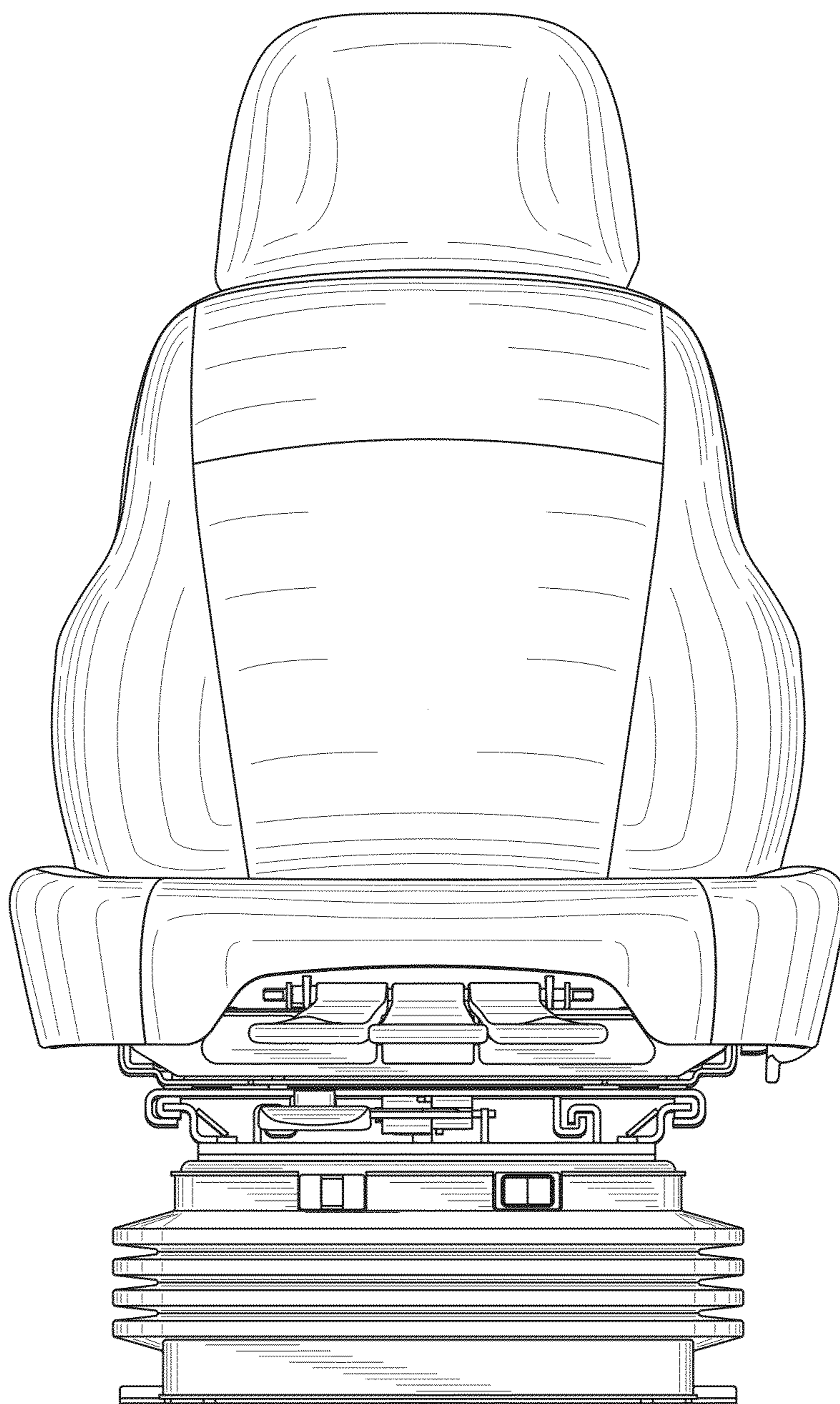


FIG. 3

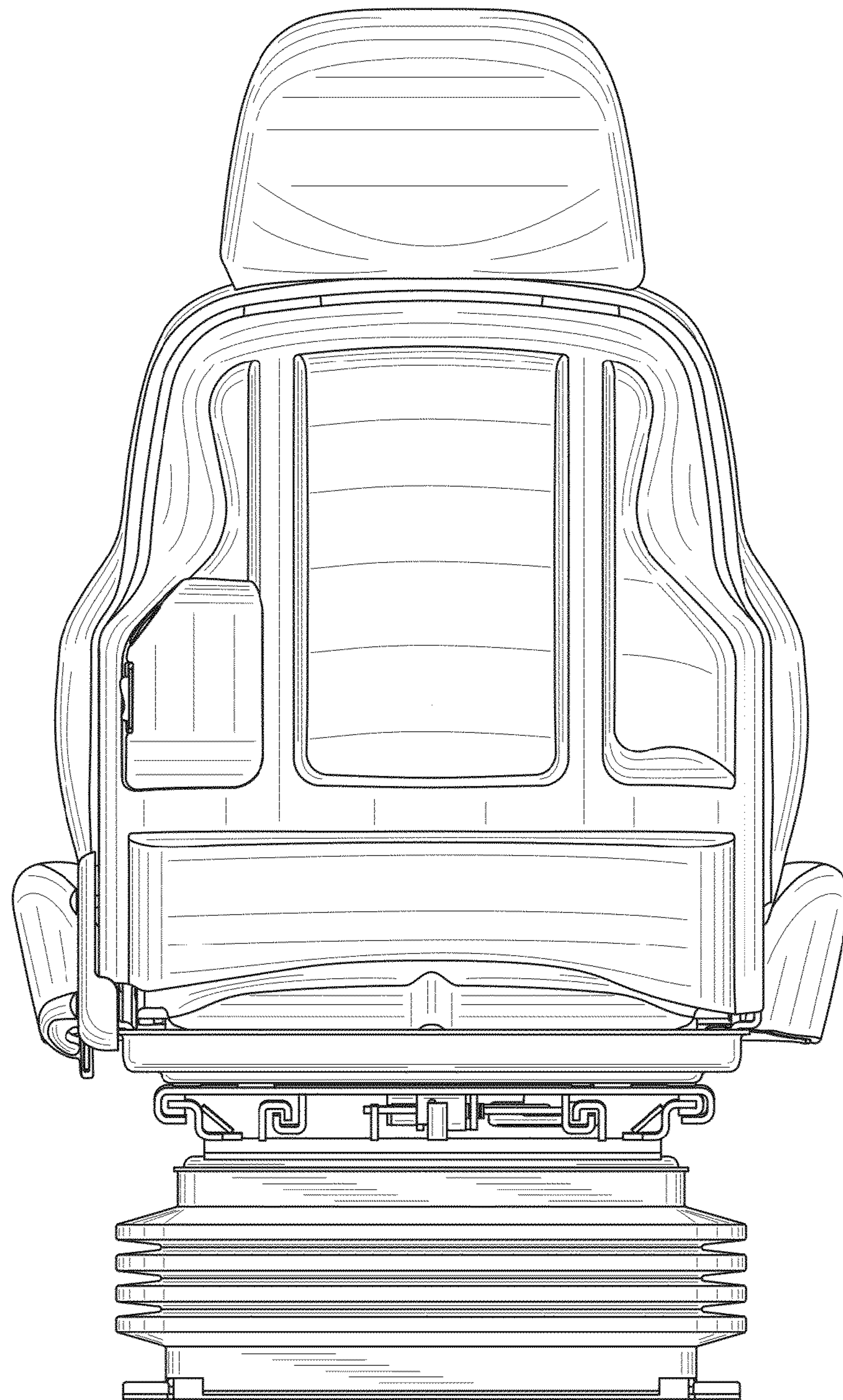


FIG. 4

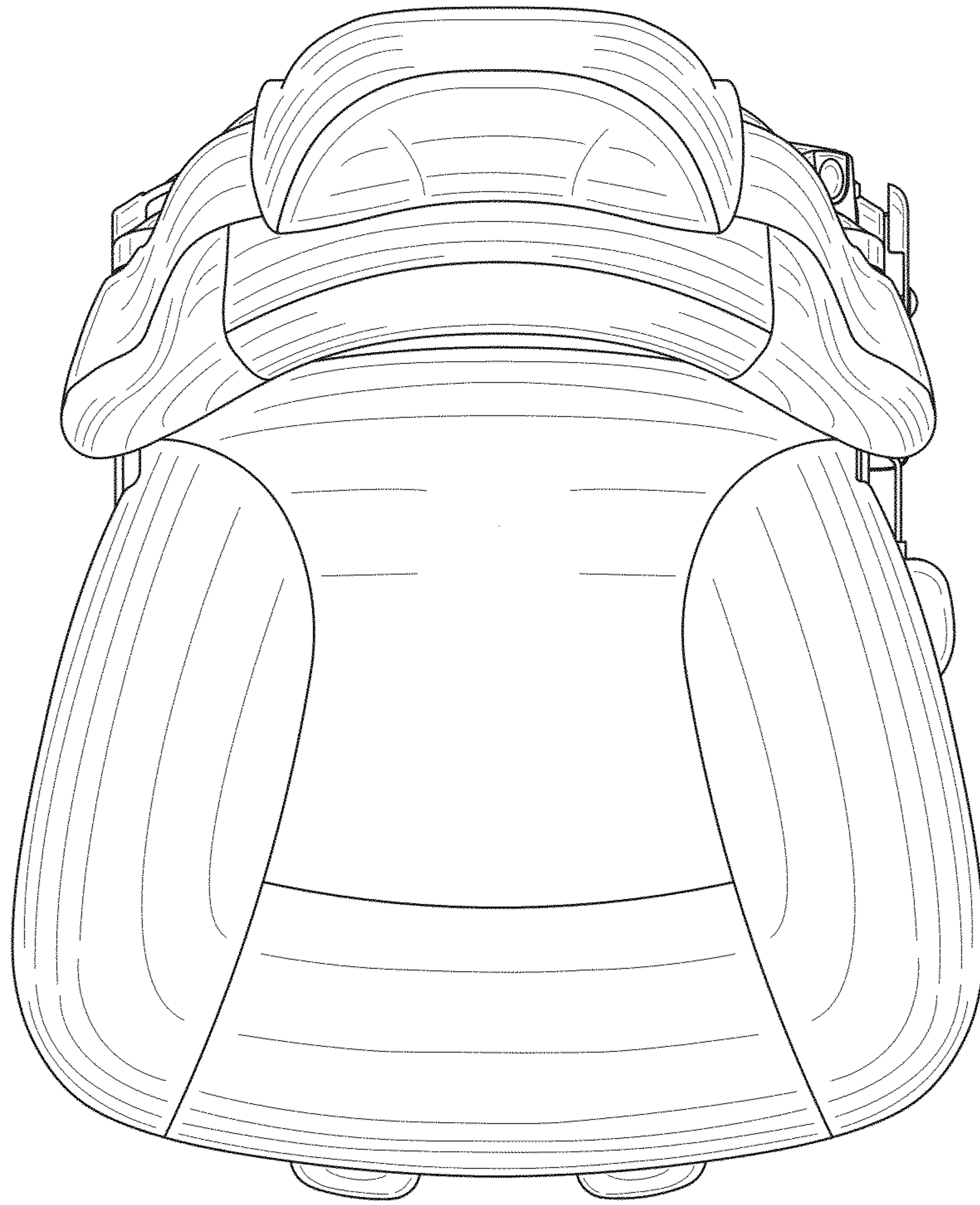


FIG. 5

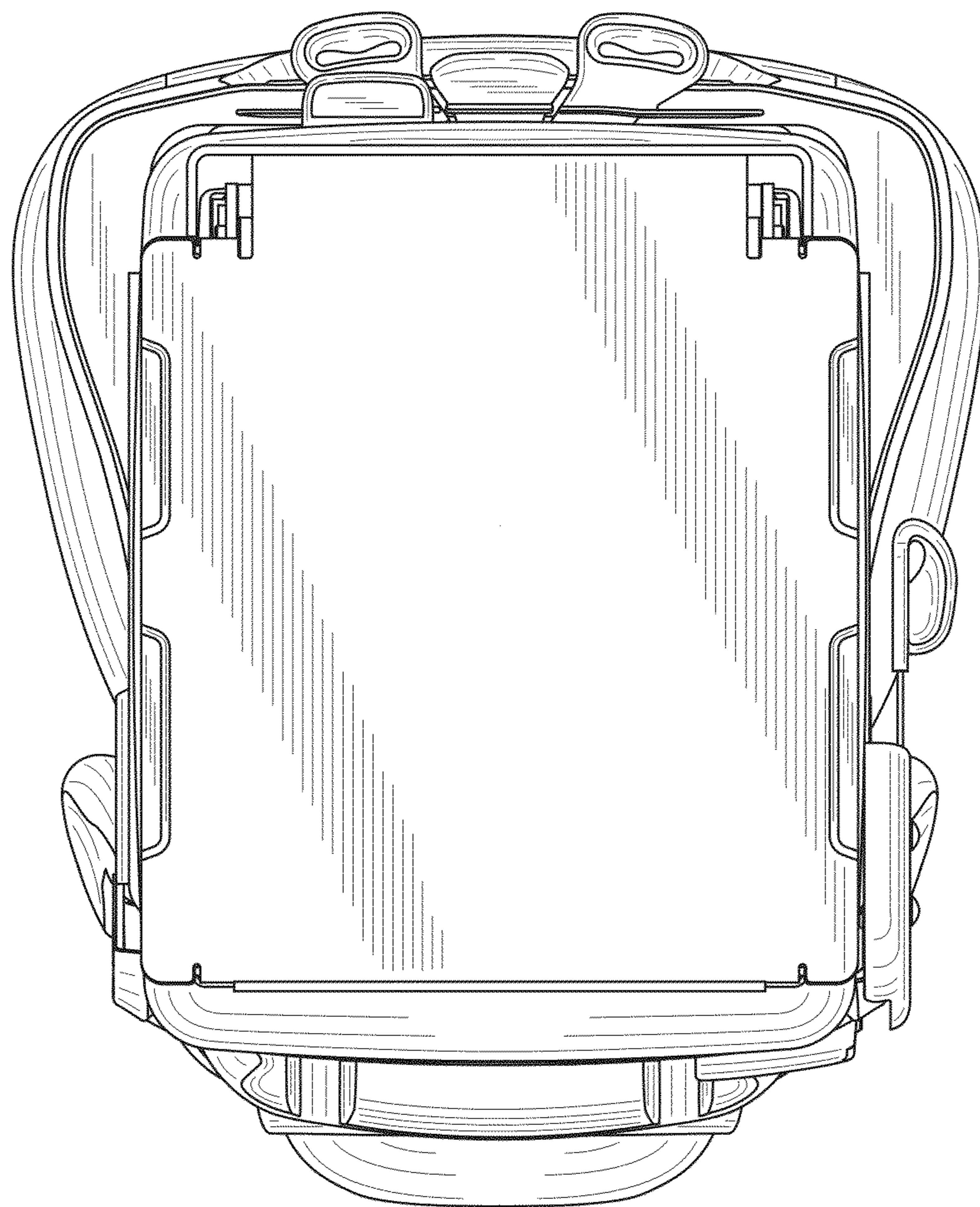


FIG. 6

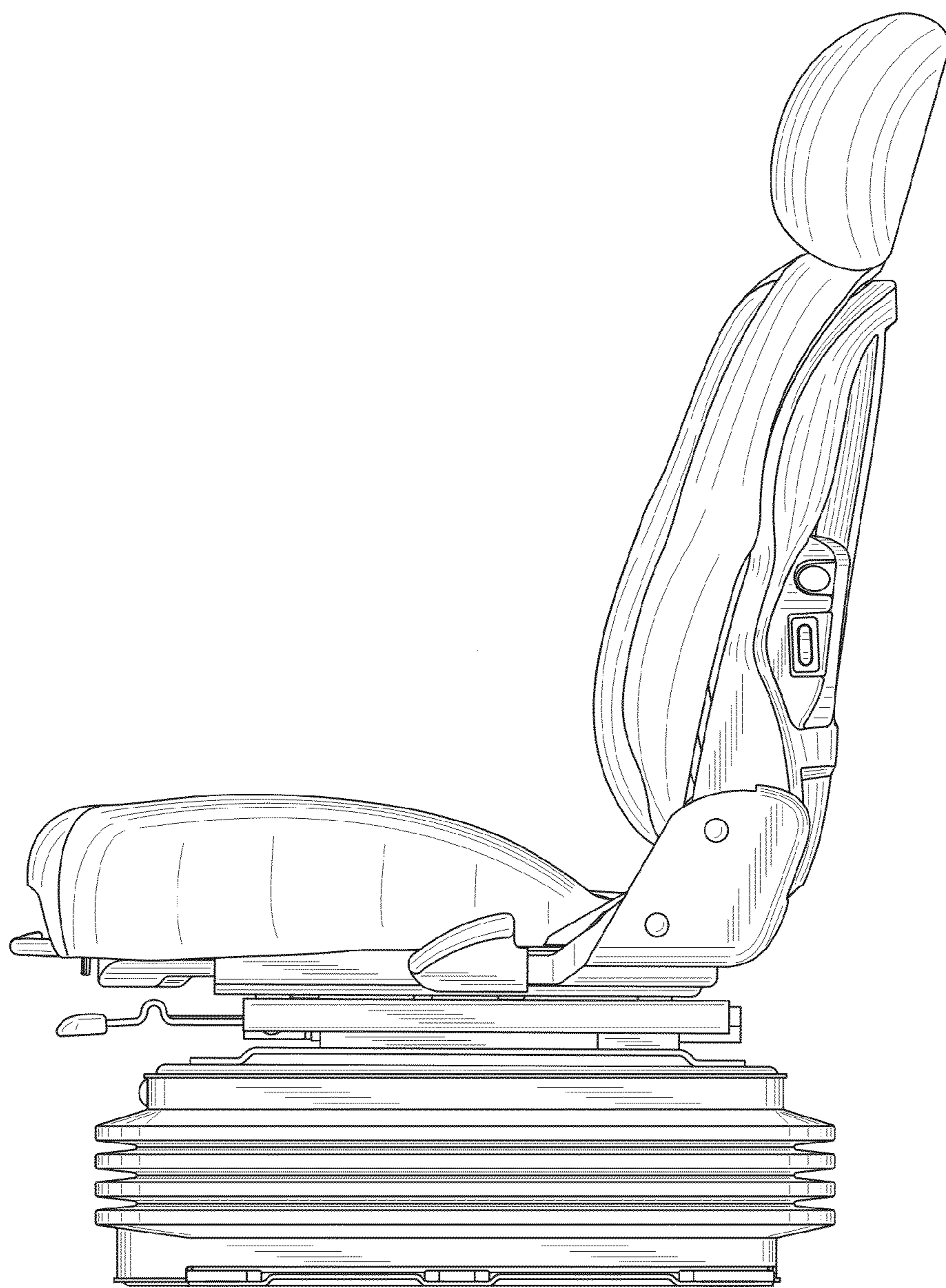


FIG. 7

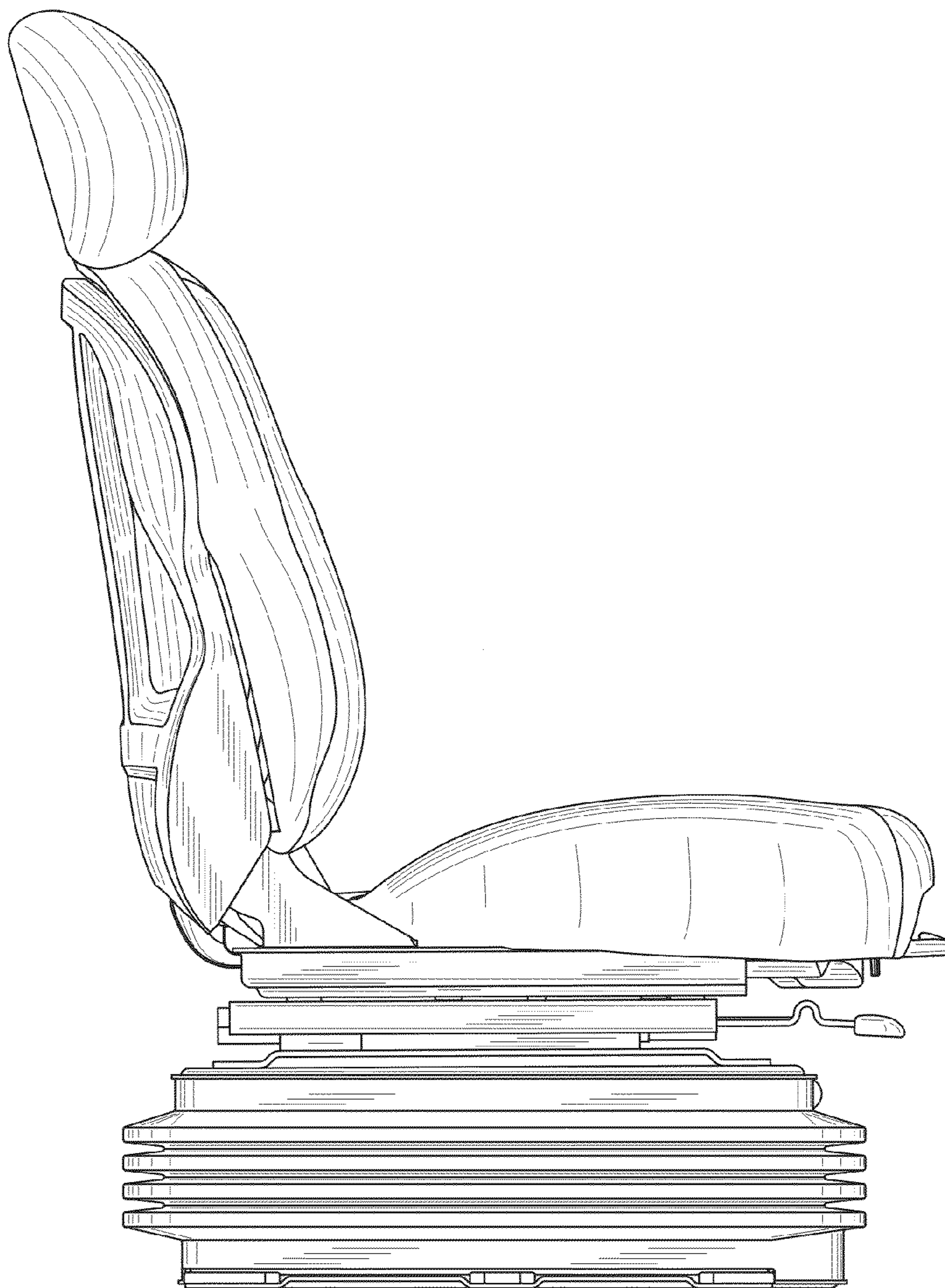


FIG. 8