



US00D738126S

(12) **United States Design Patent**
Edwards

(10) **Patent No.:** **US D738,126 S**
(45) **Date of Patent:** **** Sep. 8, 2015**

(54) **TOILET FOOTREST**

(71) Applicant: **Robert Edwards**, St. George, UT (US)

(72) Inventor: **Robert Edwards**, St. George, UT (US)

(**) Term: **14 Years**

(21) Appl. No.: **29/504,462**

(22) Filed: **Oct. 6, 2014**

(51) **LOC (10) Cl.** **06-01**

(52) **U.S. Cl.**
USPC **D6/349**

(58) **Field of Classification Search**

USPC D6/333, 335, 340, 344, 347, 349-355,
D6/358, 360, 363-365, 381, 596, 662.1,
D6/677, 685, 687, 688.15, 688.27, 690,
D6/691, 692.1-692.3, 695.1, 708.16,
D6/708.2, 709, 709.2, 709.22, 711,
D6/716-716.7, 717; D25/63-65
CPC A47C 1/14; A47C 3/16-3/20; A47C 4/00;
A47C 4/28; A47C 5/02; A47C 5/04; A47C
5/043; A47C 7/00-7/006; A47C 7/02; A47C
9/00; A47C 9/02; A47C 9/002; A47C 9/007;
A47C 9/025; A47C 9/10; A47C 11/00;
A47C 12/00; A47C 13/00; A47C 16/02;
A47B 7/00-7/02; A47B 45/00; A47B
47/04-47/045; A47B 3/12

See application file for complete search history.

(56) **References Cited**

U.S. PATENT DOCUMENTS

D553,370	S	*	10/2007	Meyers et al.	D6/350
D628,247	S	*	11/2010	de Boers et al.	D21/671
D647,667	S	*	10/2011	Siklosi	D30/133
D652,222	S	*	1/2012	Edwards	D6/349
D663,492	S	*	7/2012	Haaf et al.	D30/160
D668,472	S	*	10/2012	Wong	D6/406.5
D677,478	S	*	3/2013	Edwards et al.	D6/349
D698,163	S	*	1/2014	Edwards	D6/349
D723,814	S	*	3/2015	Hagstrom	D6/335

OTHER PUBLICATIONS

Squatty Potty Slim Toilet Stool. [online] Retrieved Jul. 22, 2015 from
URL: <<http://www.squattypotty.com/shop/product/slim/>>.*

* cited by examiner

Primary Examiner — Susan Bennett Hattan

Assistant Examiner — Vy Koenig

(74) *Attorney, Agent, or Firm* — Gurr & Brande, PLLC;
Robert A. Gurr

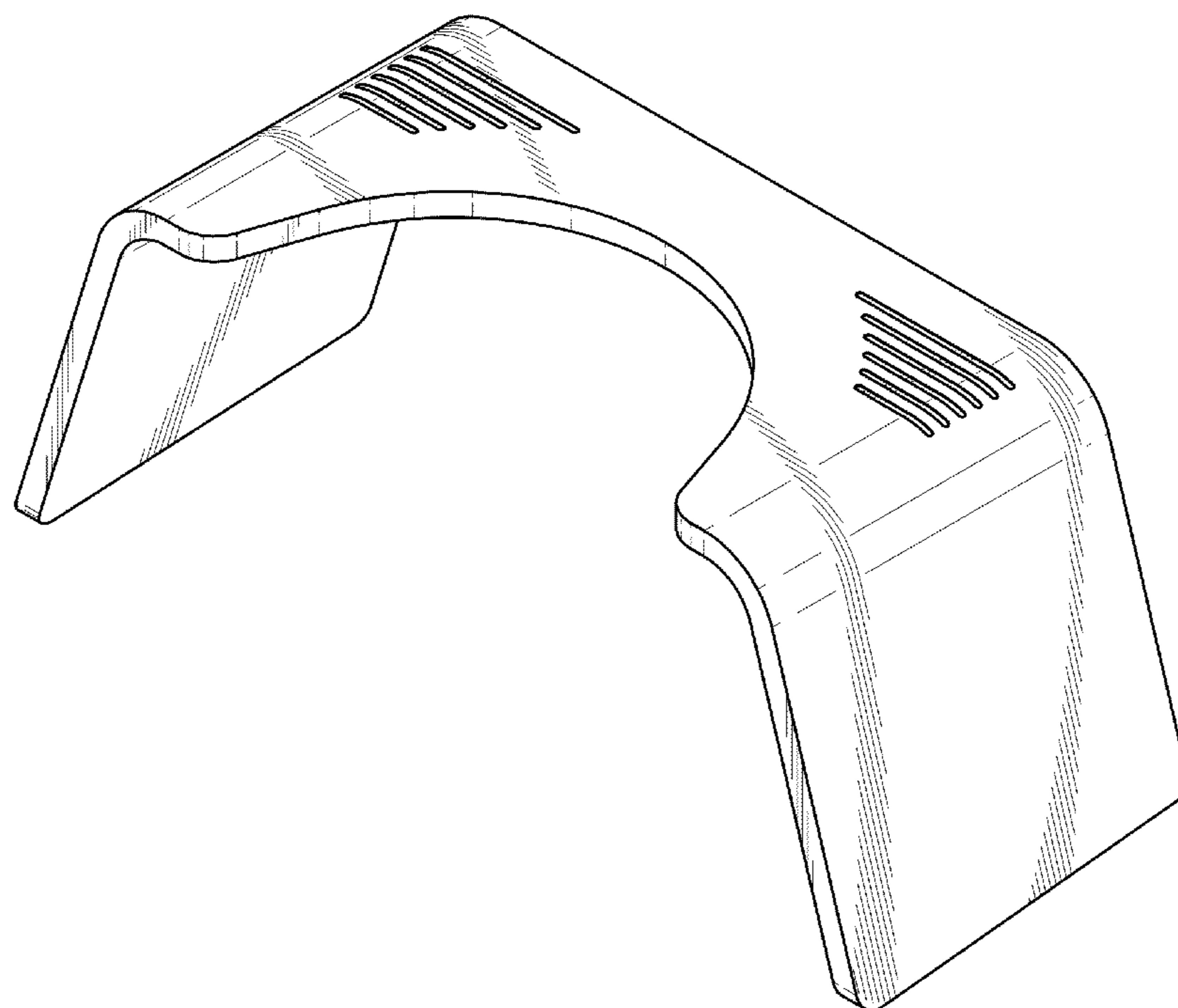
(57) **CLAIM**

The ornamental design for a toilet footrest, as shown and described.

DESCRIPTION

FIG. 1 is a back perspective view of the footrest;
FIG. 2 is a top plan view of the footrest;
FIG. 3 is a back elevation view of the footrest;
FIG. 4 is a front elevation view of the footrest;
FIG. 5 is a side elevation view of the footrest;
FIG. 6 is a bottom plan view of the footrest; and,
FIG. 7 is a front perspective view of the footrest.

1 Claim, 5 Drawing Sheets



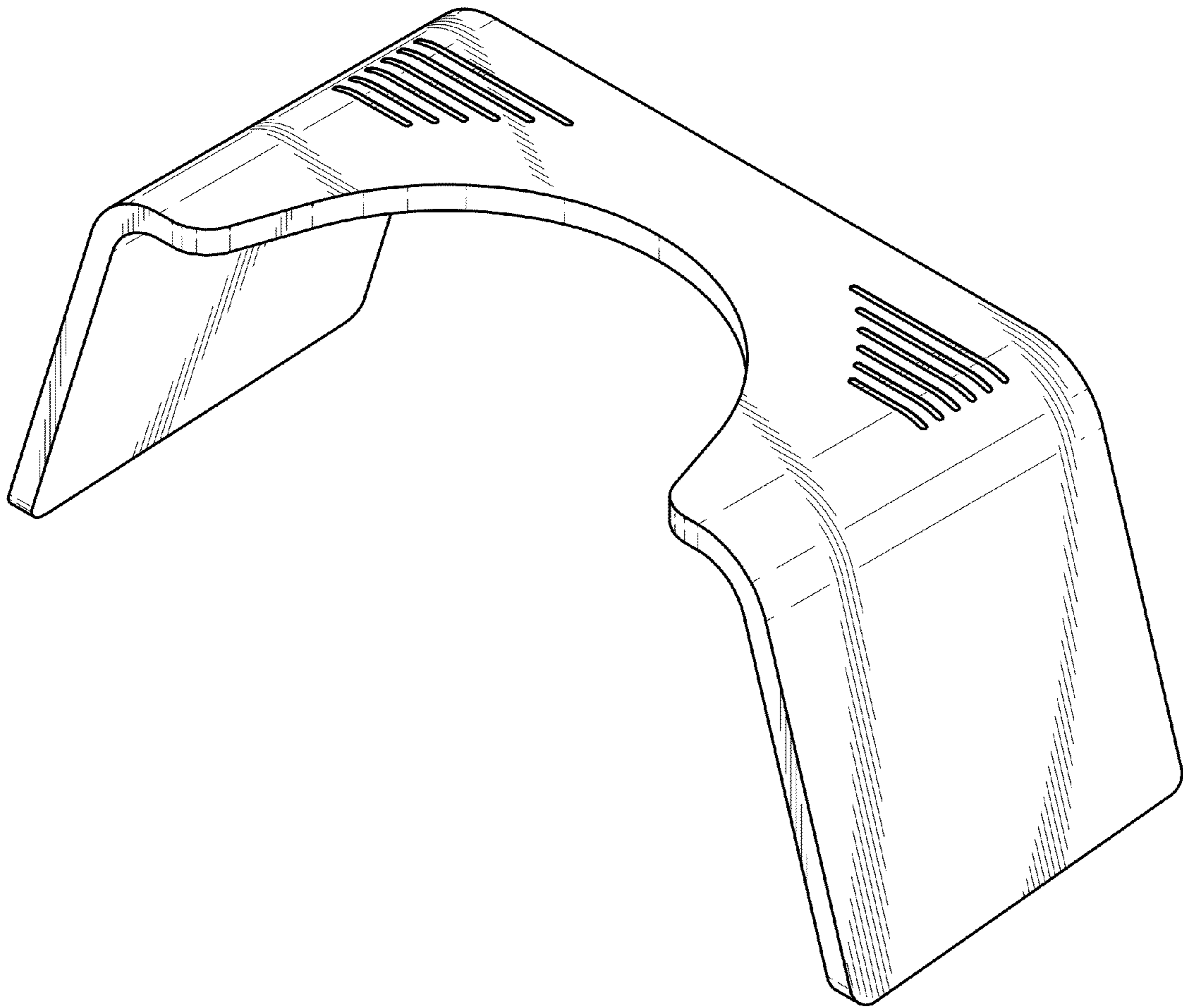


FIG. 1

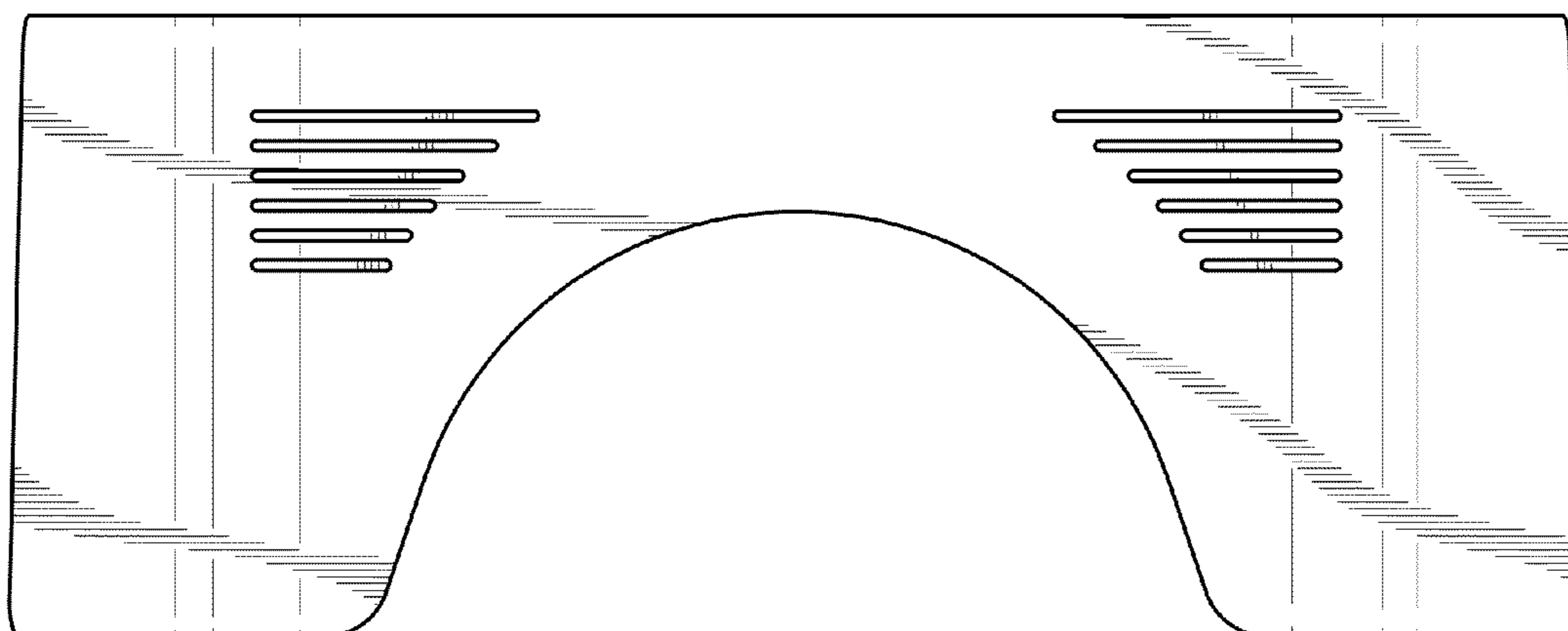


FIG. 2



FIG. 3

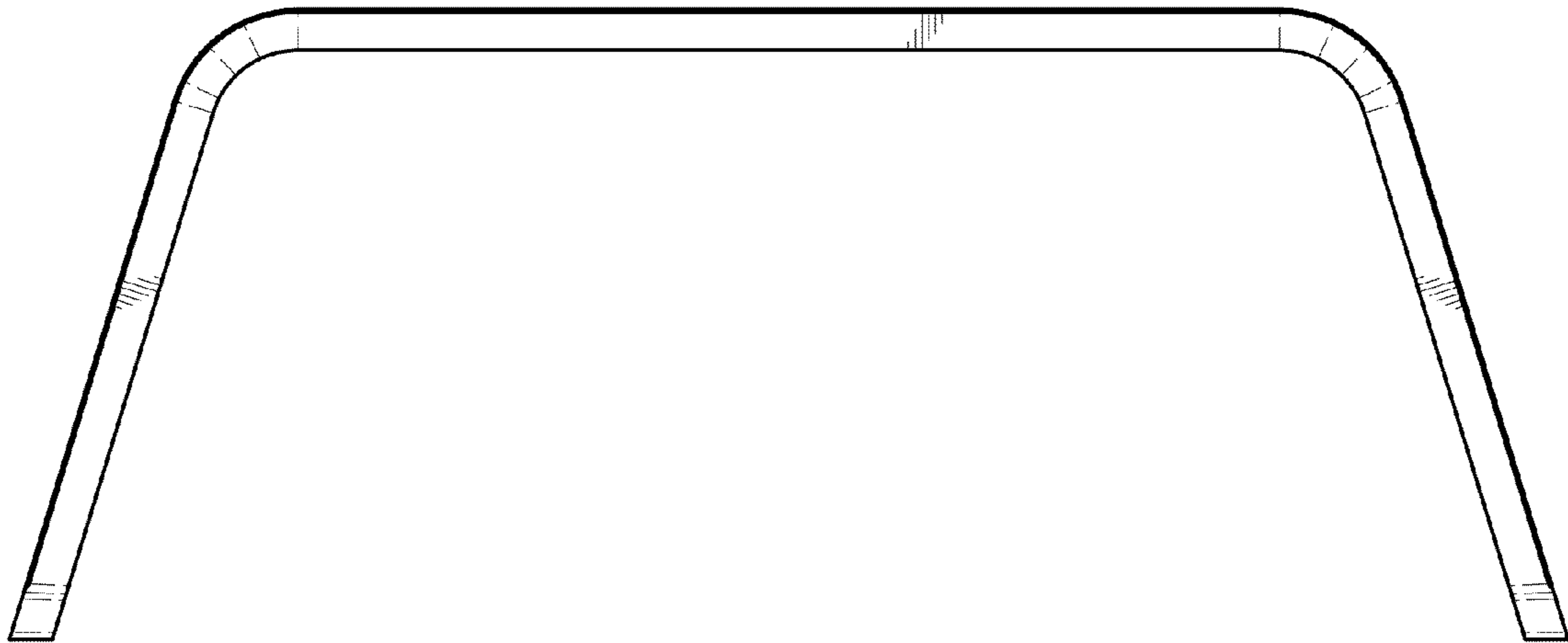


FIG. 4

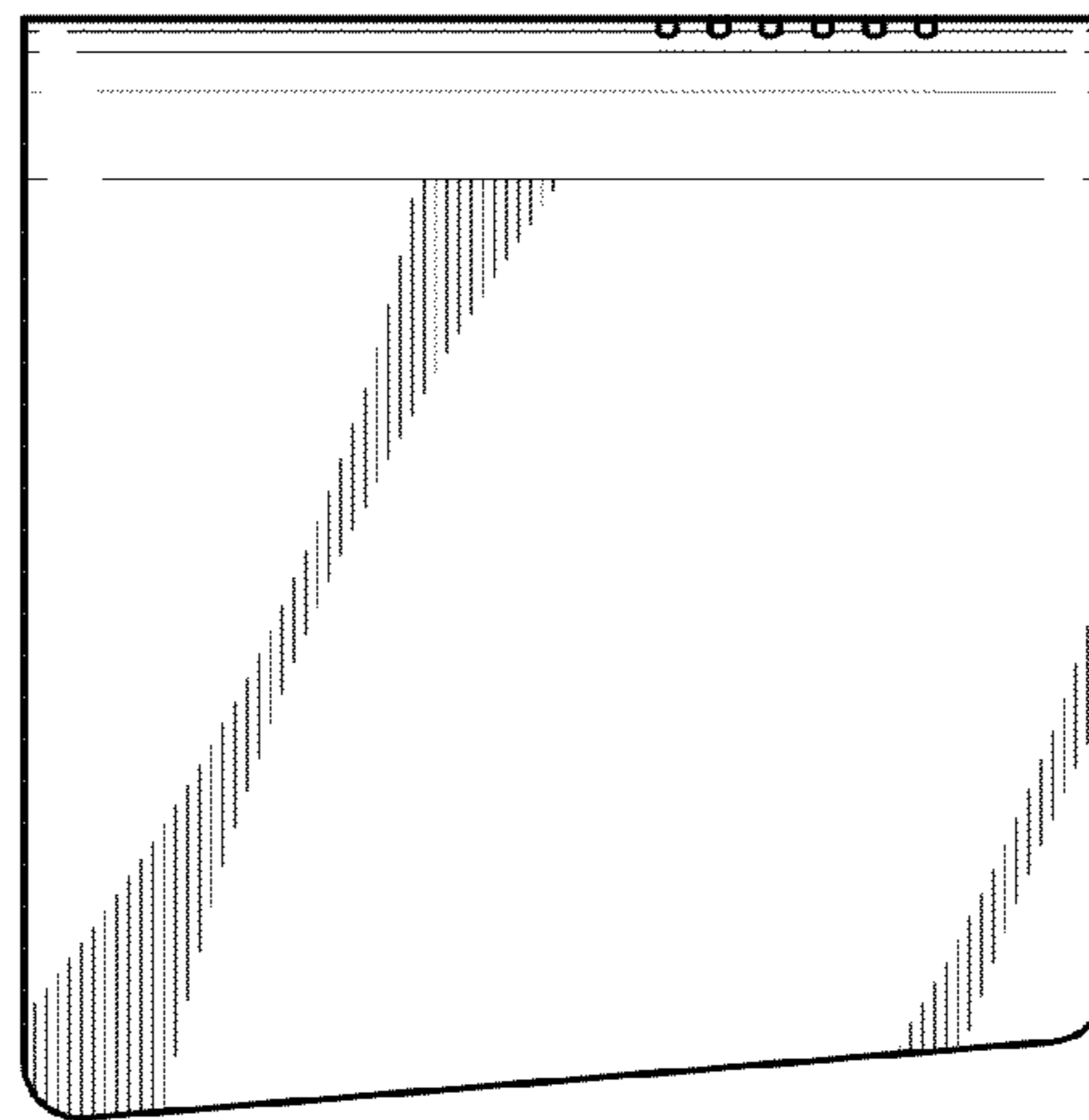


FIG. 5

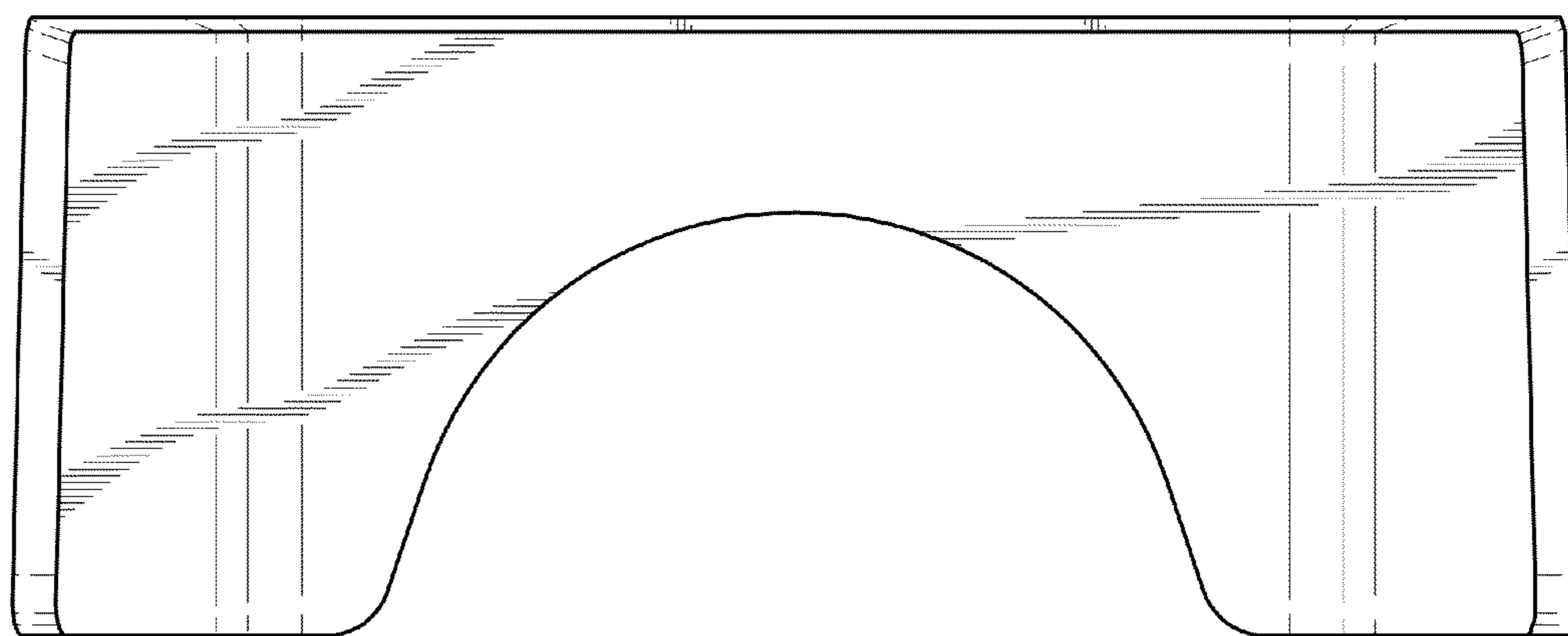


FIG. 6

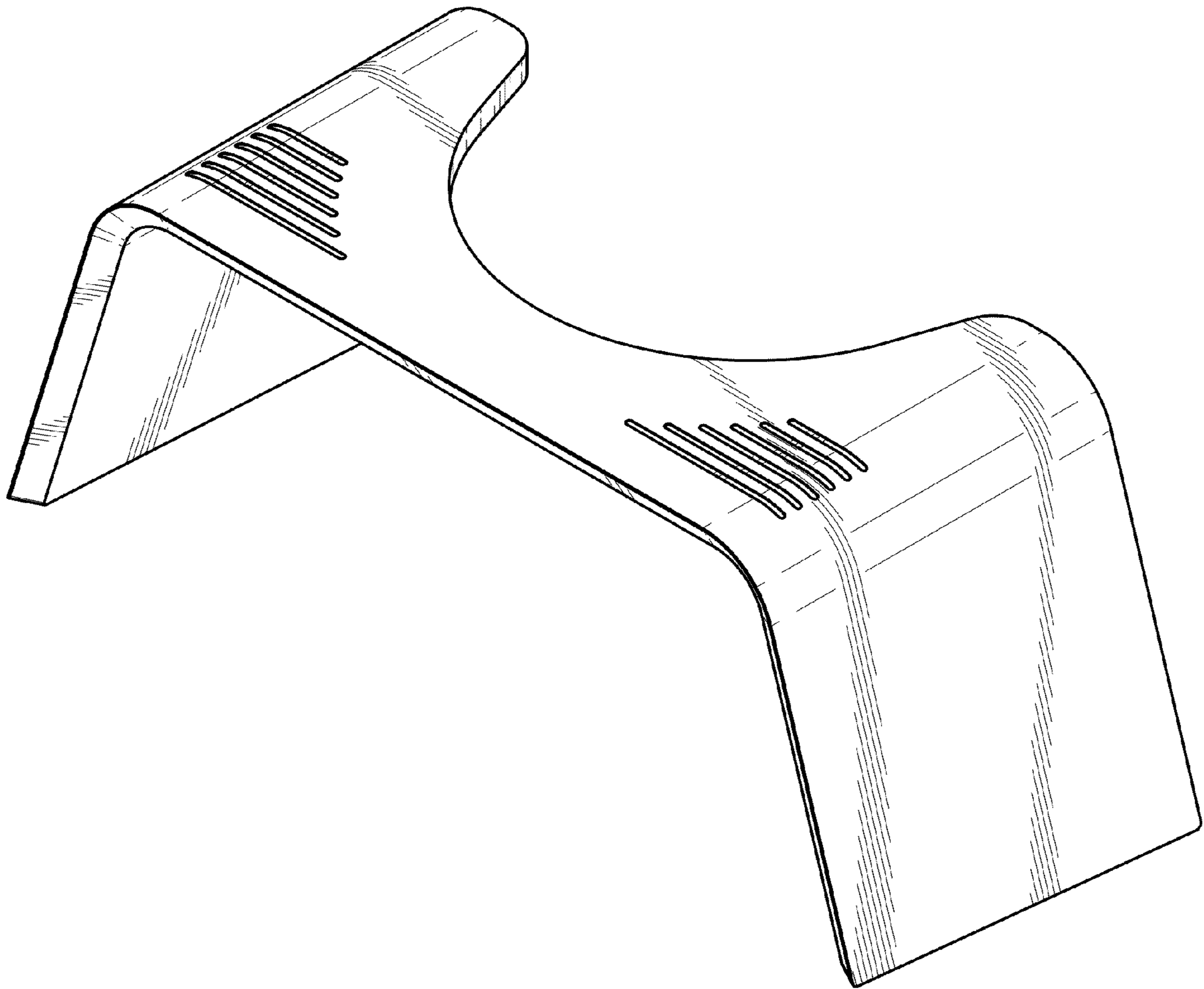


FIG. 7