



US00D738122S

(12) **United States Design Patent**
Lu

(10) **Patent No.:** **US D738,122 S**
(45) **Date of Patent:** **** Sep. 8, 2015**

- (54) **SEAT**
- (71) Applicant: **Watts Water Technologies, Inc.**, North Andover, MA (US)
- (72) Inventor: **John D. Lu**, Malden, MA (US)
- (73) Assignee: **Watts Water Technologies, Inc.**, North Andover, MA (US)
- (**) Term: **14 Years**
- (21) Appl. No.: **29/482,536**
- (22) Filed: **Feb. 19, 2014**
- (51) **LOC (10) Cl.** **06-01**
- (52) **U.S. Cl.**
USPC **D6/347**
- (58) **Field of Classification Search**
USPC D6/333, 334, 335, 336, 344, 347, 348,
D6/715; D21/412, 823
CPC A47C 3/025; A47C 3/0252; A47C 3/0255
See application file for complete search history.

(56) **References Cited**

U.S. PATENT DOCUMENTS

D185,771 S *	7/1959	Mills	D6/348
3,189,037 A	6/1965	Callejo		
D292,653 S *	11/1987	Church et al.	D6/333
5,125,429 A	6/1992	Ackroyd et al.		
D389,875 S *	1/1998	Lin et al.	D21/412
D439,062 S *	3/2001	McGinnis et al.	D6/347
D497,725 S *	11/2004	Marmentini	D6/347
D576,412 S *	9/2008	O'Shea	D6/347
D616,653 S *	6/2010	Mann	D6/344
2007/0193633 A1	8/2007	Howell et al.		

OTHER PUBLICATIONS

PVB4A Series Installation, Operation, and Maintenance Manual—Pressure Vacuum Breaker (PVB) Backflow Preventers ½"-2", Conbraco Industries Inc. (May 2009).

PFMM PVB4A Installation, Operation, & Maintenance Manual—½"-2" Pressure Vacuum Breaker (PVB) Backflow Preventer, Apollo Valves (Jan. 2012).
 Wilkins Model 420XL Lead-Free Pressure vacuum Breakers (½" & ¾") (2012).
 Installation, Maintenance, & Repair Series 800M4 and LF800M4—Anti-Siphon Pressure Vacuum Breaker featuring Replaceable Seats (2013).
 Series 765 Pressure Vacuum Breakers Specification Sheet—FEBCO (2009).
 Lead Free Series LF800M4QT Anti-Siphon Pressure Vacuum Breakers—WATTS (2013).
 BFMM PVB Maintenance Manual—Series 4V-500 (½"-2" Pressure Type Vacuum Breaker)—Conbraco Industries, Inc. (Apr. 2002).

* cited by examiner

Primary Examiner — Mimoso De

(74) *Attorney, Agent, or Firm* — Adler Pollock & Sheehan P.C.; George N. Chaclas, Esq.; Daniel J. Holmänder, Esq.

(57) **CLAIM**

The ornamental design for a seat, as shown and described.

DESCRIPTION

FIG. 1 is a top perspective view of the seat according to the present disclosure.

FIG. 2 is a front view of the seat according to the present disclosure.

FIG. 3 is a back view of the seat according to the present disclosure.

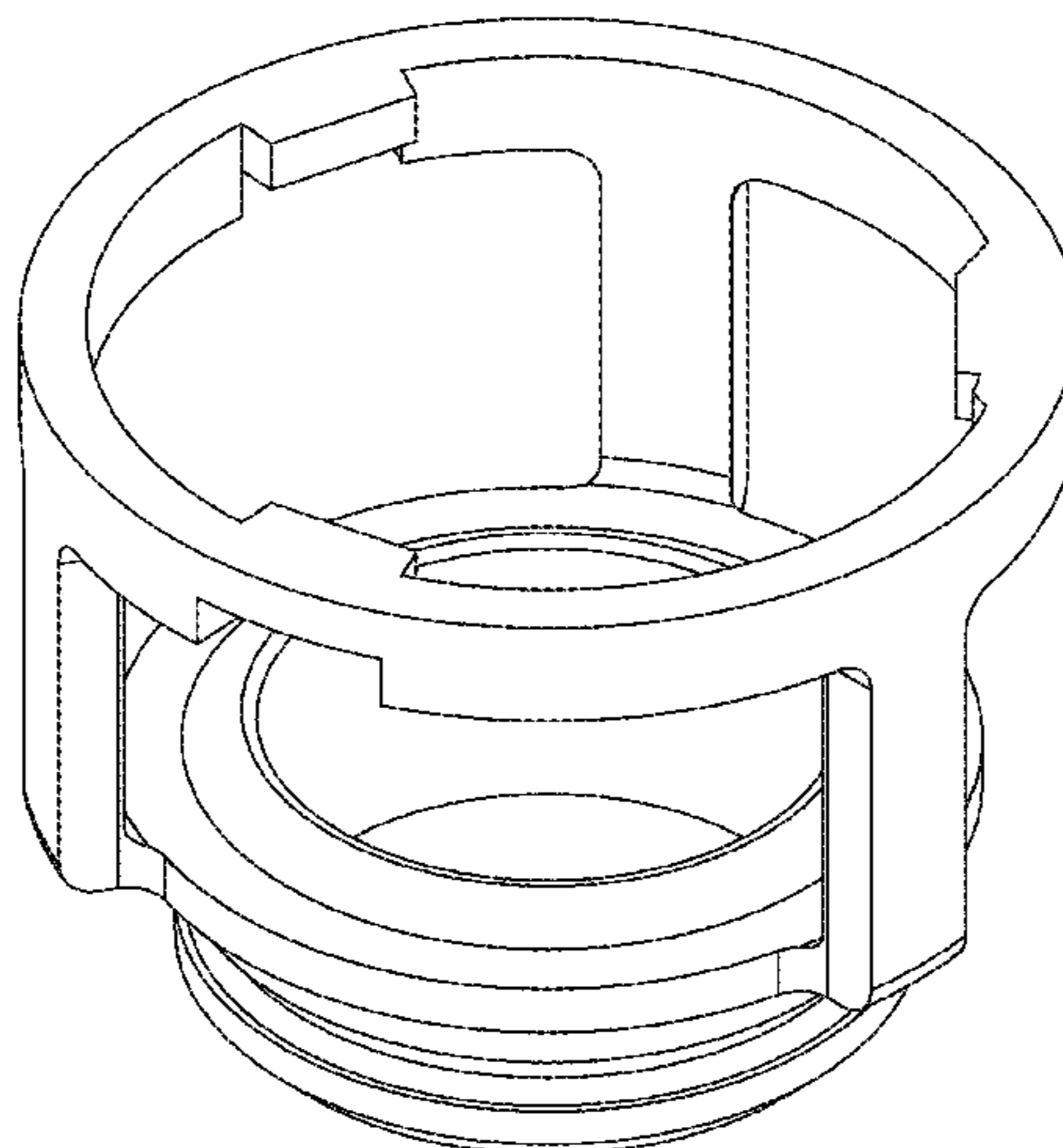
FIG. 4 is a right side view of the seat according to the present disclosure.

FIG. 5 is a left side view of the seat according to the present disclosure.

FIG. 6 is a top view of the seat according to the present disclosure; and,

FIG. 7 is a bottom view of the seat according to the present disclosure.

1 Claim, 7 Drawing Sheets



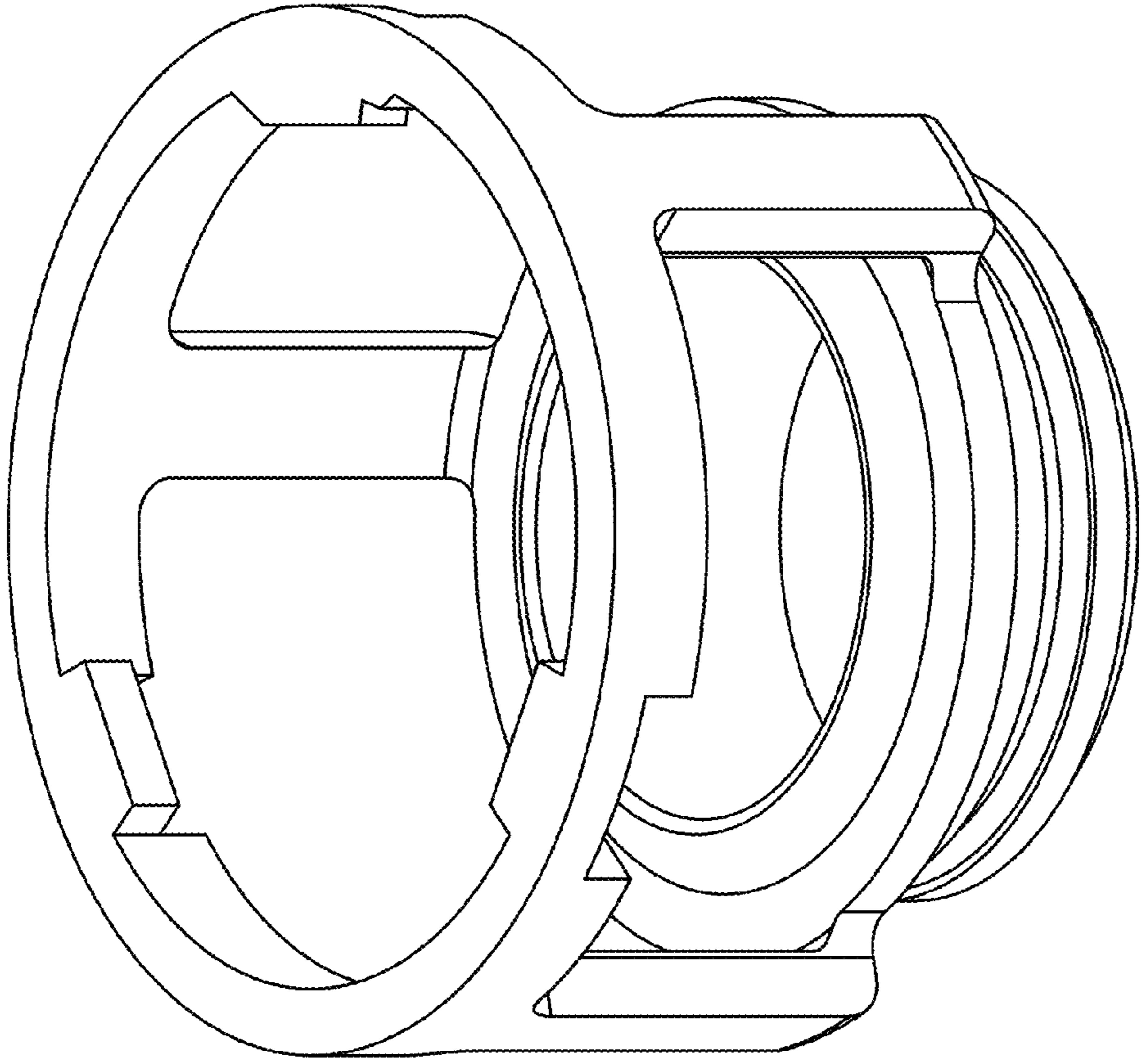


FIG. 1

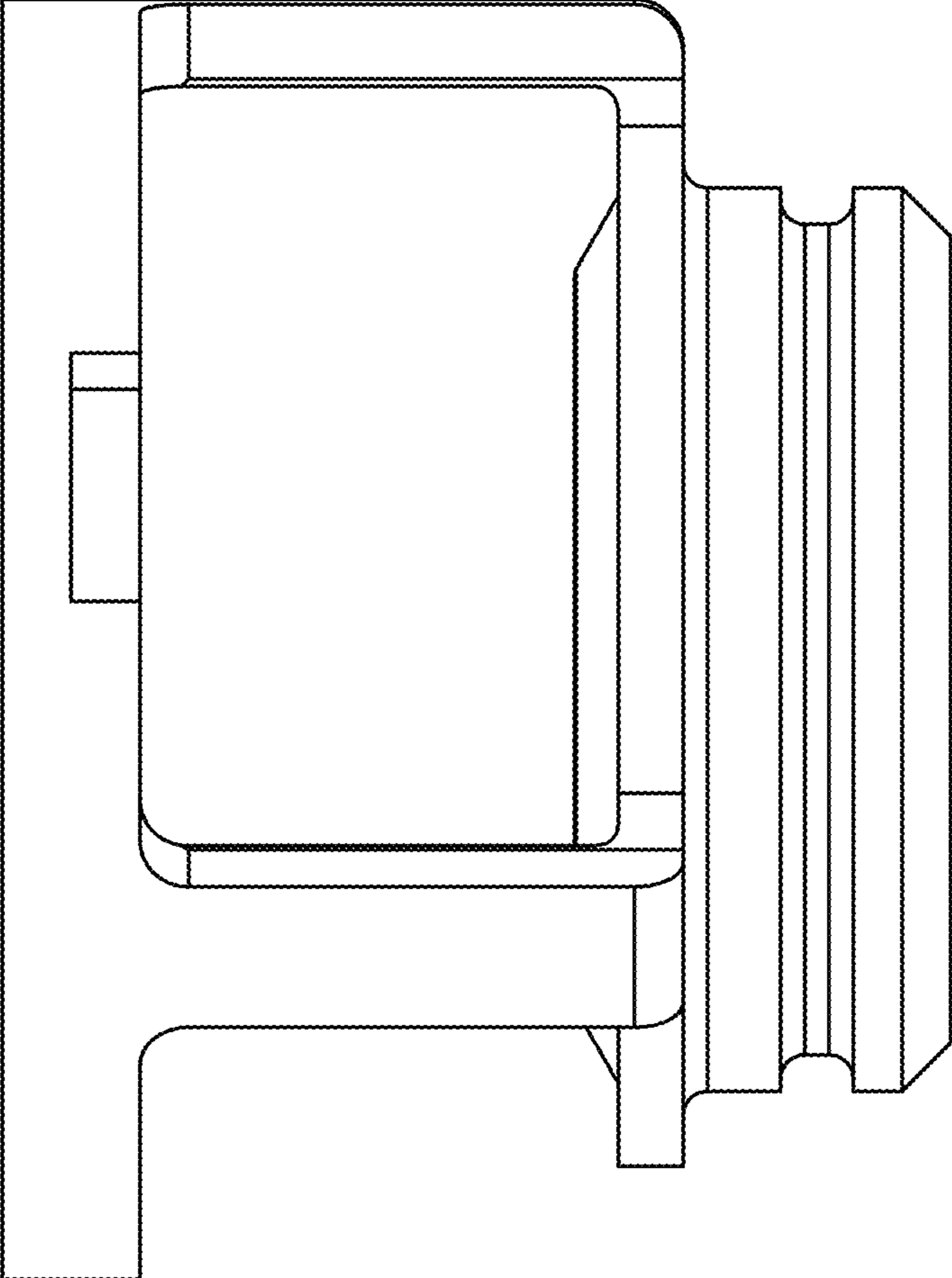


FIG. 2

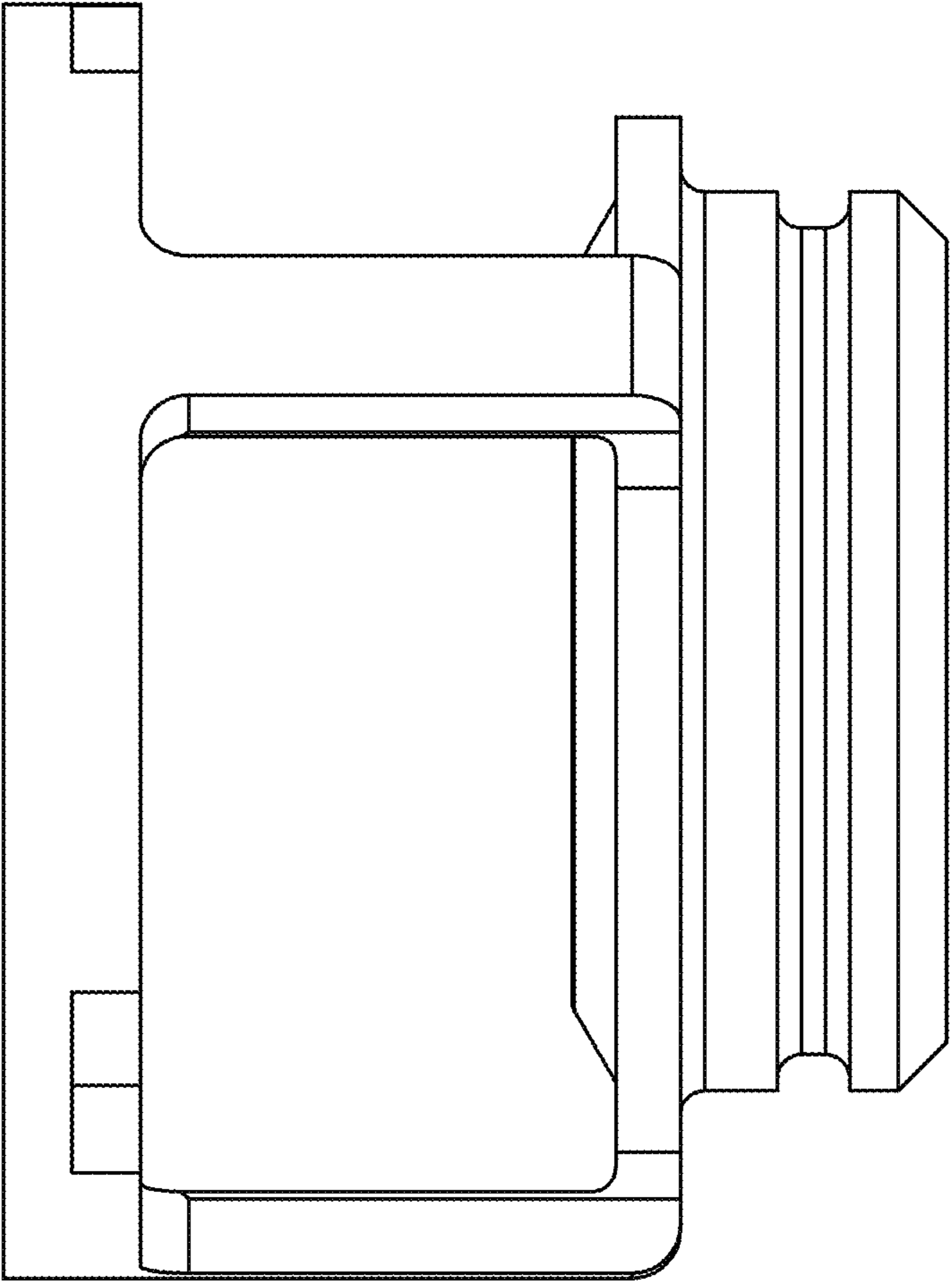


FIG. 3

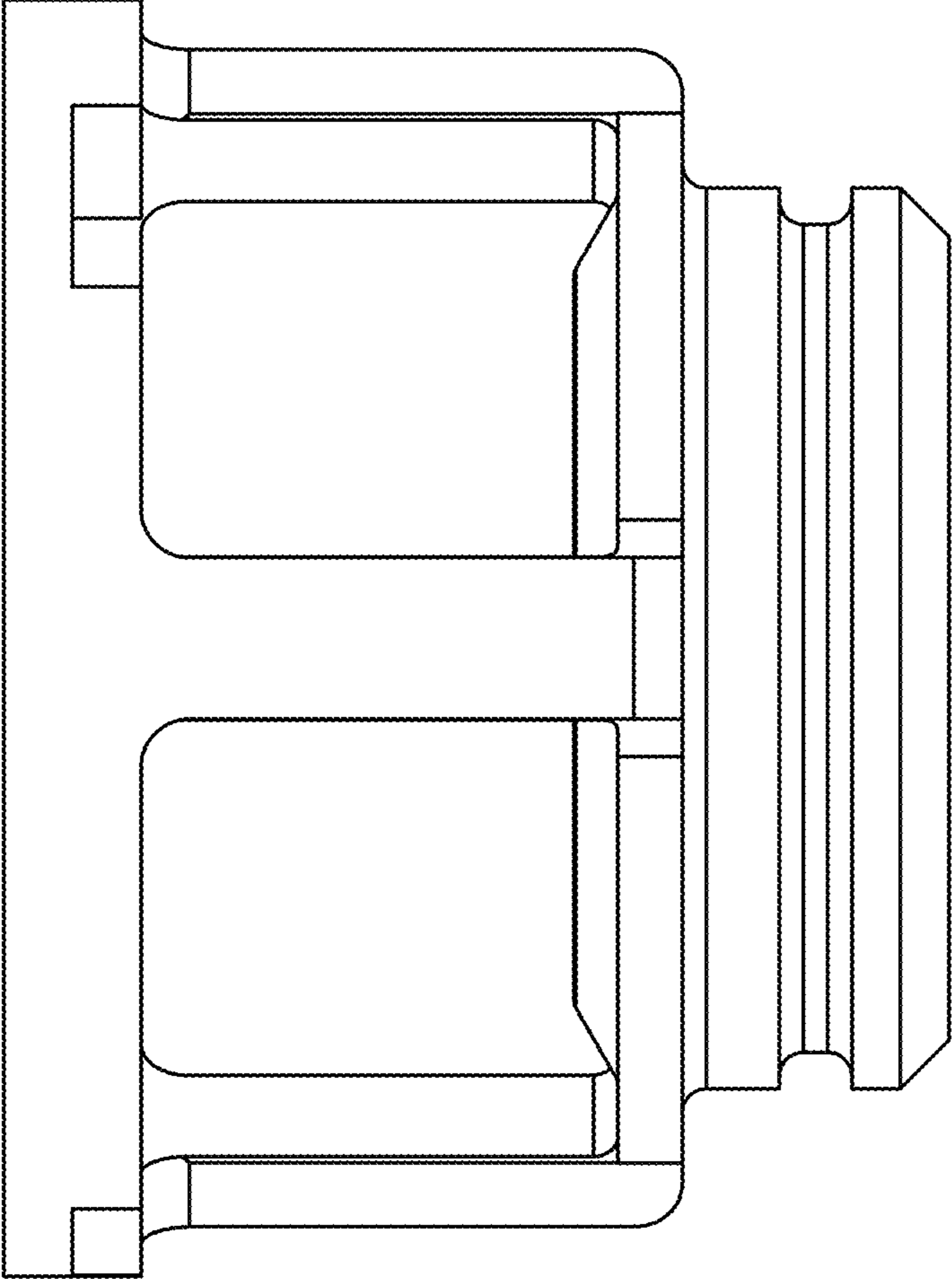


FIG. 4

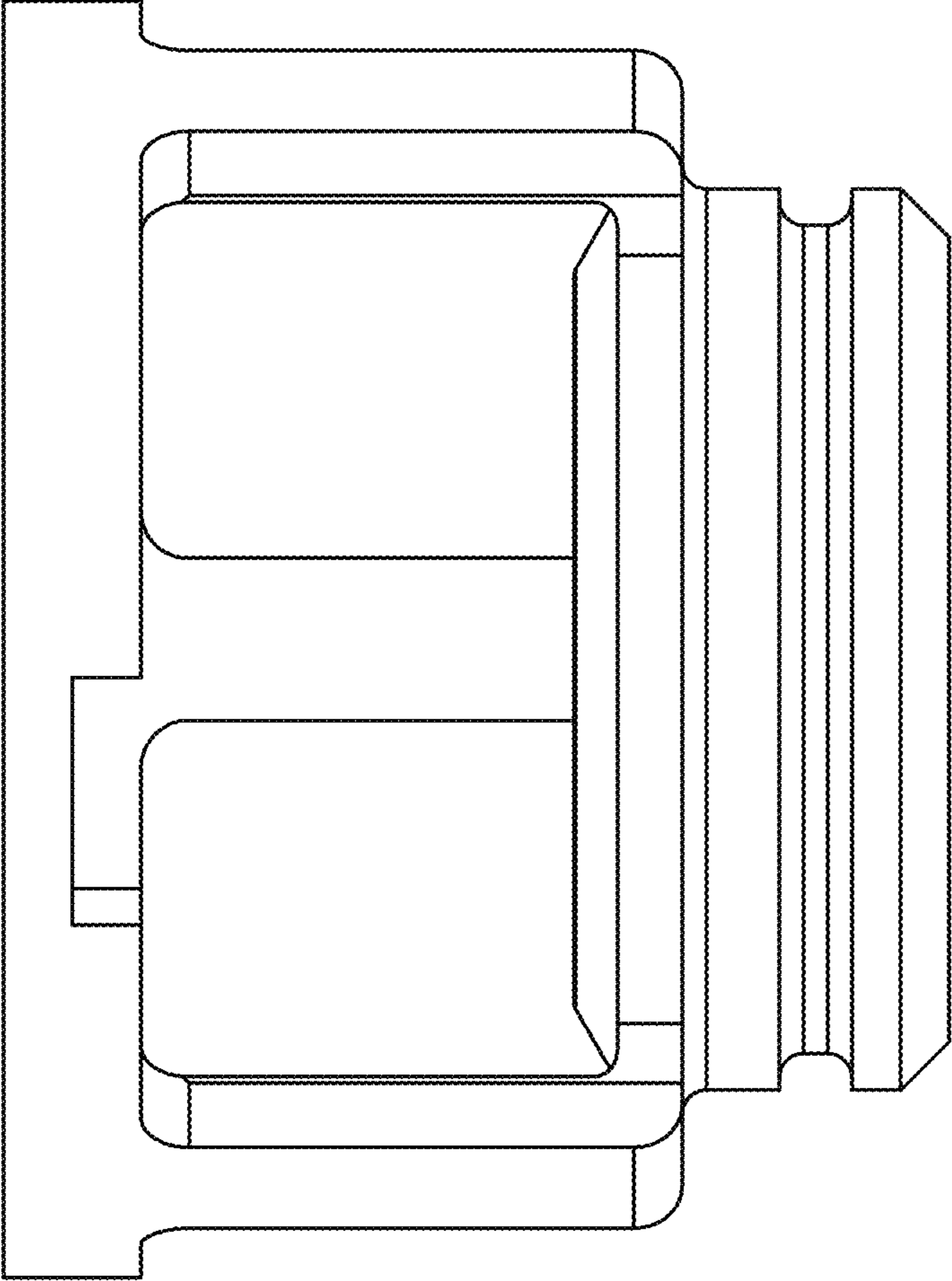


FIG. 5

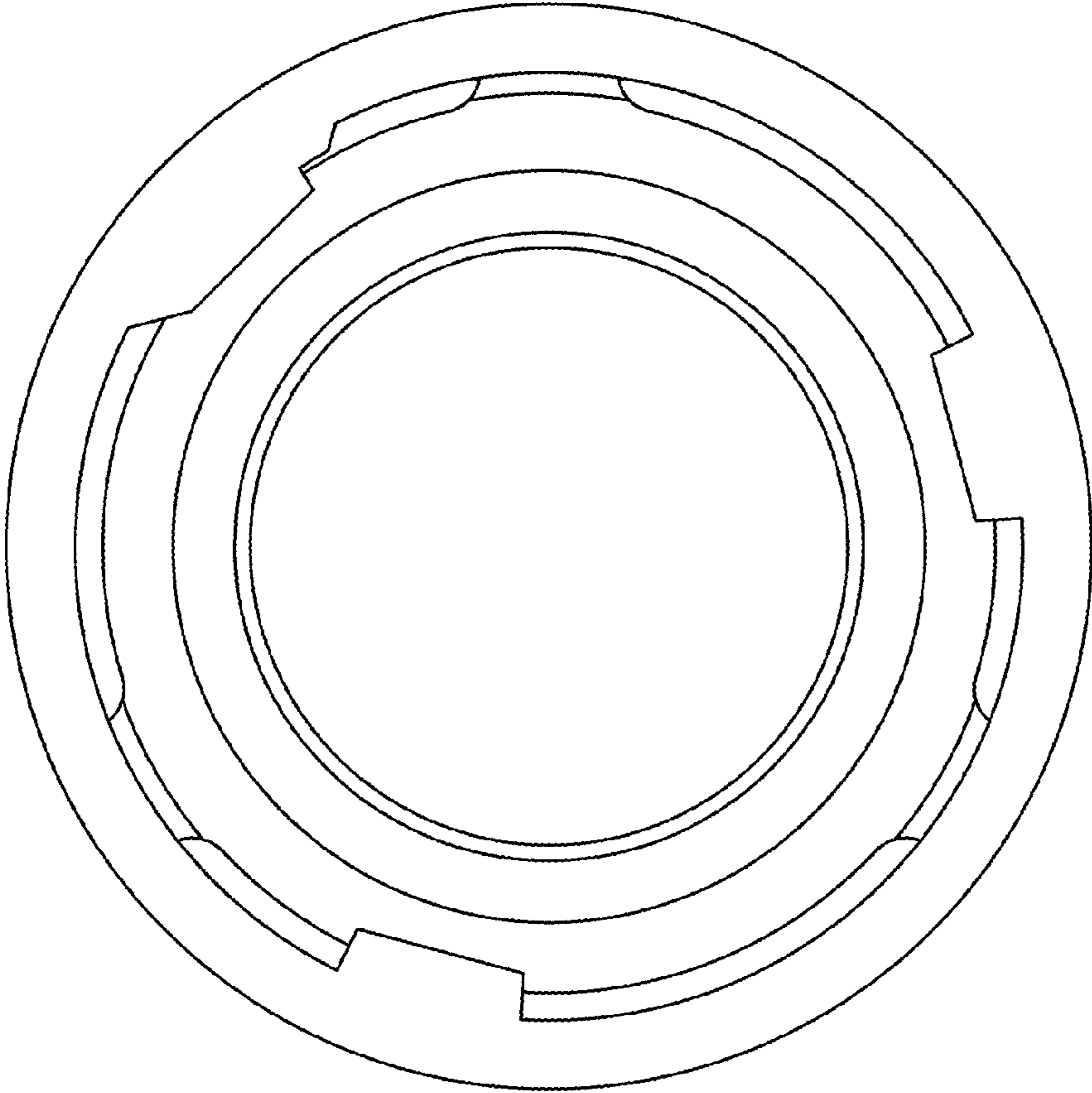


FIG. 6

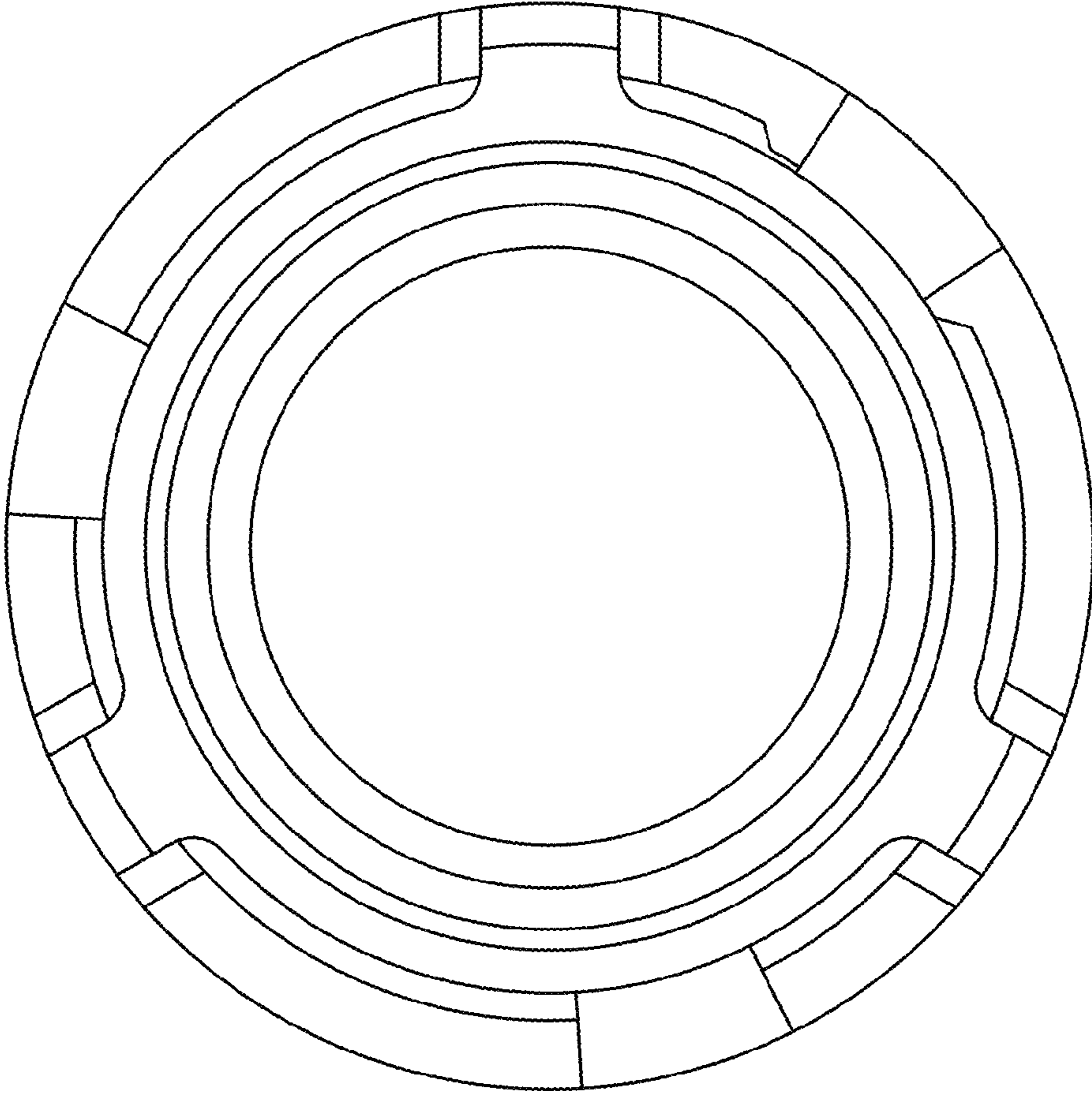


FIG. 7