



US00D738112S

(12) **United States Design Patent**
Lutgring et al.

(10) **Patent No.:** **US D738,112 S**
(45) **Date of Patent:** **** Sep. 8, 2015**

(54) **PORTABLE CHARGING STORAGE CASE**
(71) Applicant: **3M INNOVATIVE PROPERTIES COMPANY**, St. Paul, MN (US)
(72) Inventors: **David M. Lutgring**, Indianapolis, IN (US); **Michael J. Pescetto**, Spring, TX (US); **Mark A. Yoder**, Carmel, IN (US)
(73) Assignee: **3M Innovative Properties Company**, St. Paul, MN (US)

D577,195 S 9/2008 Stevens
D579,202 S 10/2008 Grenier
D599,112 S * 9/2009 Wenchel et al. D3/294
7,609,512 B2 * 10/2009 Richardson et al. 361/679.41
D645,663 S * 9/2011 Henley et al. D3/294
D647,303 S * 10/2011 Mish et al. D3/294

(Continued)

(**) Term: **14 Years**

(21) Appl. No.: **29/472,925**

(22) Filed: **Nov. 18, 2013**

(51) **LOC (10) Cl.** **03-01**

(52) **U.S. Cl.**
USPC **D3/318**

(58) **Field of Classification Search**
USPC D3/294, 318
CPC A45C 3/08; A45C 1/06; B65D 21/04;
B65D 21/02
See application file for complete search history.

(56) **References Cited**

U.S. PATENT DOCUMENTS

3,414,793 A 12/1968 Jasperson
4,379,988 A 4/1983 Mattatall
D419,297 S 1/2000 Richardson
D419,767 S 2/2000 Richardson
D419,768 S 2/2000 Richardson
D472,384 S 4/2003 Richardson
6,646,864 B2 11/2003 Richardson
6,698,608 B2 3/2004 Parker
D513,123 S 12/2005 Richardson
D514,808 S 2/2006 Morine
D516,309 S 3/2006 Richardson
D516,807 S 3/2006 Richardson
D530,092 S * 10/2006 Roesler D3/294
D557,897 S * 12/2007 Richardson et al. D3/294
D570,112 S * 6/2008 McDowell et al. D3/247

FOREIGN PATENT DOCUMENTS

DE 20314626 6/2004
DE 102007037027 2/2009
WO 2013/025191 2/2013

Primary Examiner — Holly Baynham

(74) *Attorney, Agent, or Firm* — Melanie G. Gover

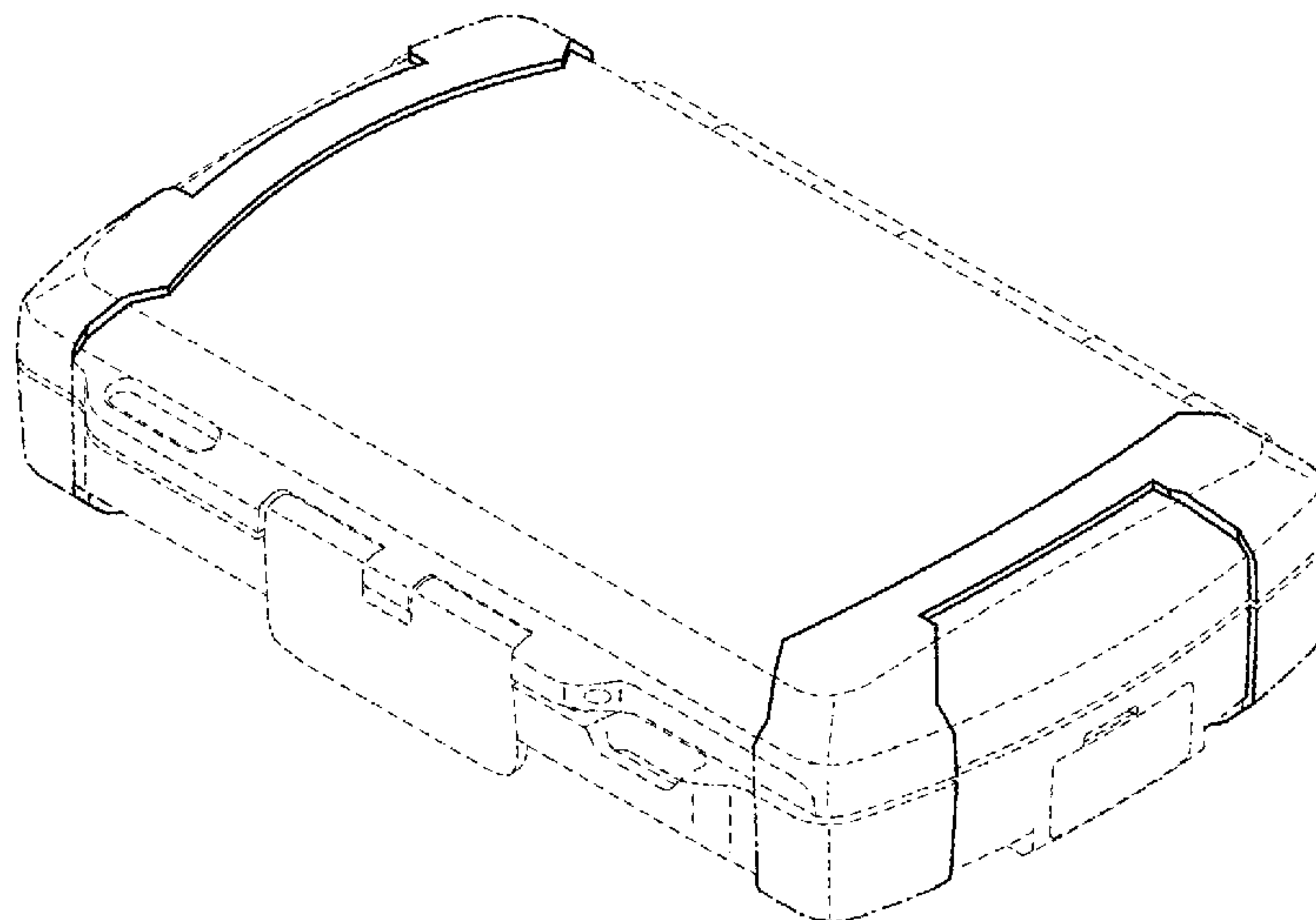
(57) **CLAIM**

The ornamental design for a portable charging storage case, as shown and described.

DESCRIPTION

FIG. 1 is a top perspective view showing a first embodiment of the new design for a portable charging storage case; FIG. 2 is a top view thereof; FIG. 3 is a bottom view thereof; FIG. 4 is a front view thereof; FIG. 5 is a back view thereof; FIG. 6 is a left side view thereof; and FIG. 7 is a right side view thereof. FIG. 8 is a top perspective view showing a second embodiment of the new design for a portable charging storage case. FIG. 9 is a top view thereof; FIG. 10 is a bottom view thereof; FIG. 11 is a front view thereof; FIG. 12 is a back view thereof; FIG. 13 is a left side view thereof; and, FIG. 14 is a right side view thereof. The broken lines showing portions of the case are for the purposes of illustrating environment and form no part of the claimed design.

1 Claim, 6 Drawing Sheets



US D738,112 S

Page 2

(56)

References Cited

U.S. PATENT DOCUMENTS

			2011/0223864	A1	9/2011	Wai
			2011/0287402	A1	11/2011	Sanford
			2013/0220841	A1	8/2013	Yang
D650,173	S	12/2011	Lima			
D668,874	S	* 10/2012	Robinson et al.	D3/293		* cited by examiner

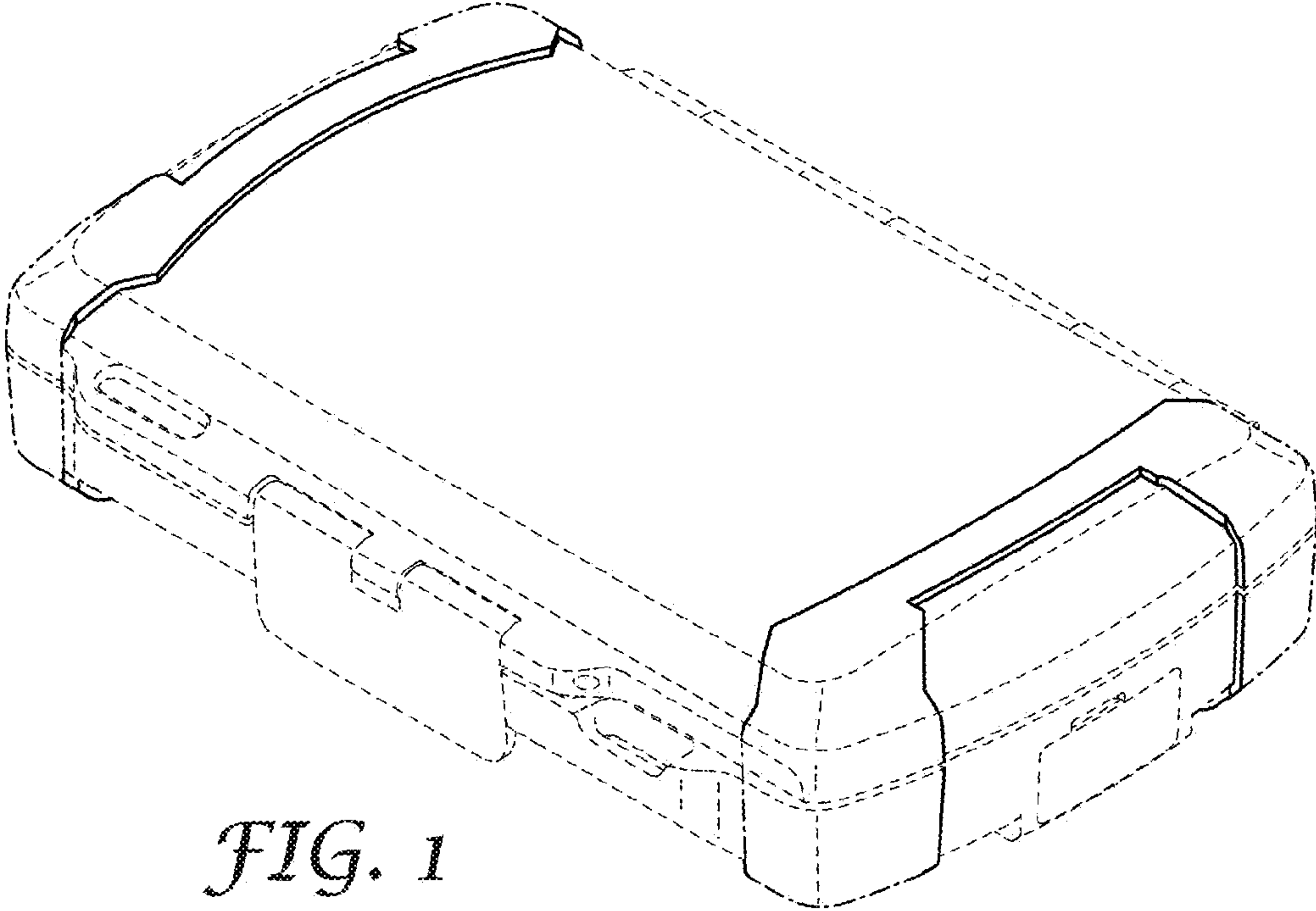


FIG. 1

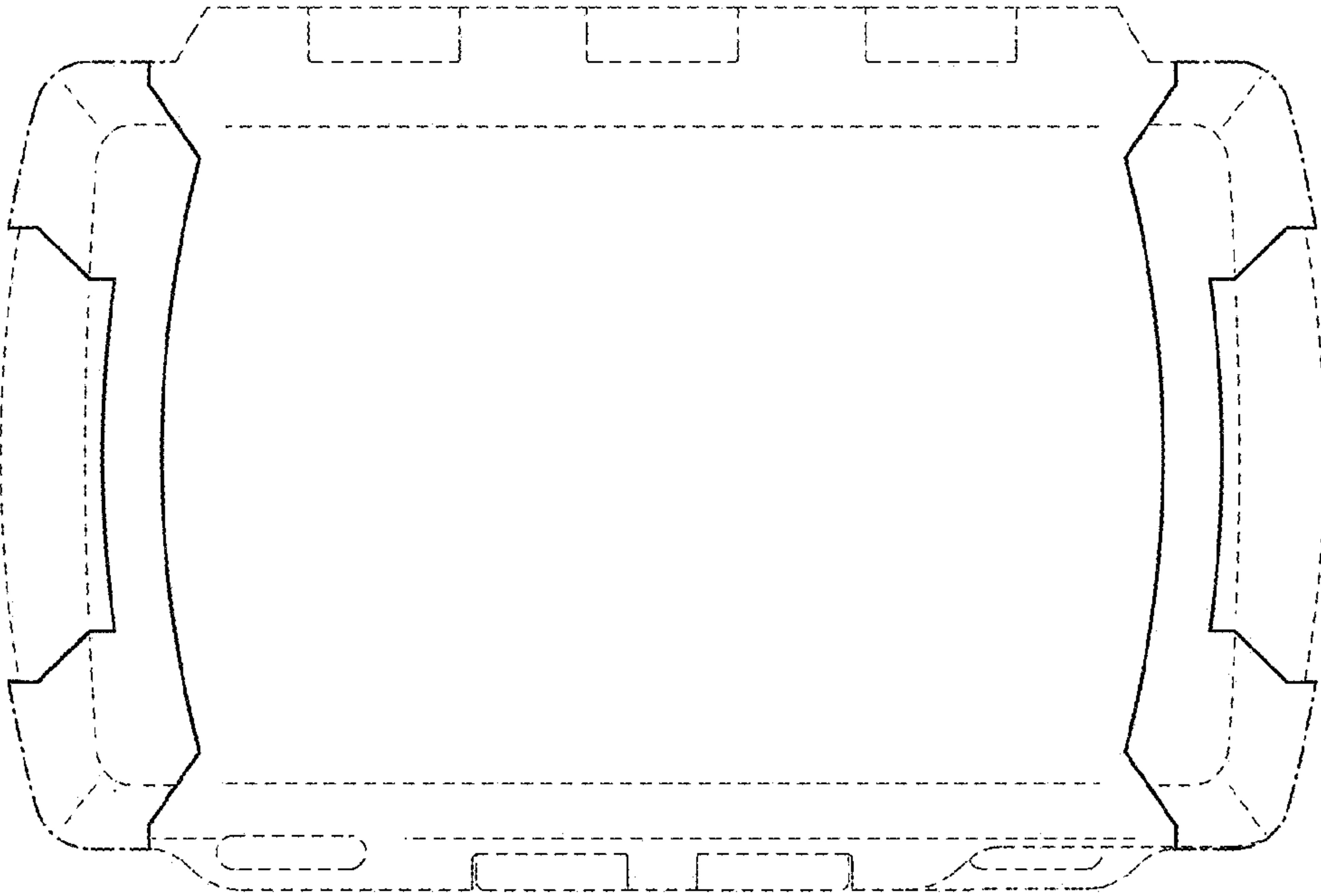


FIG. 2

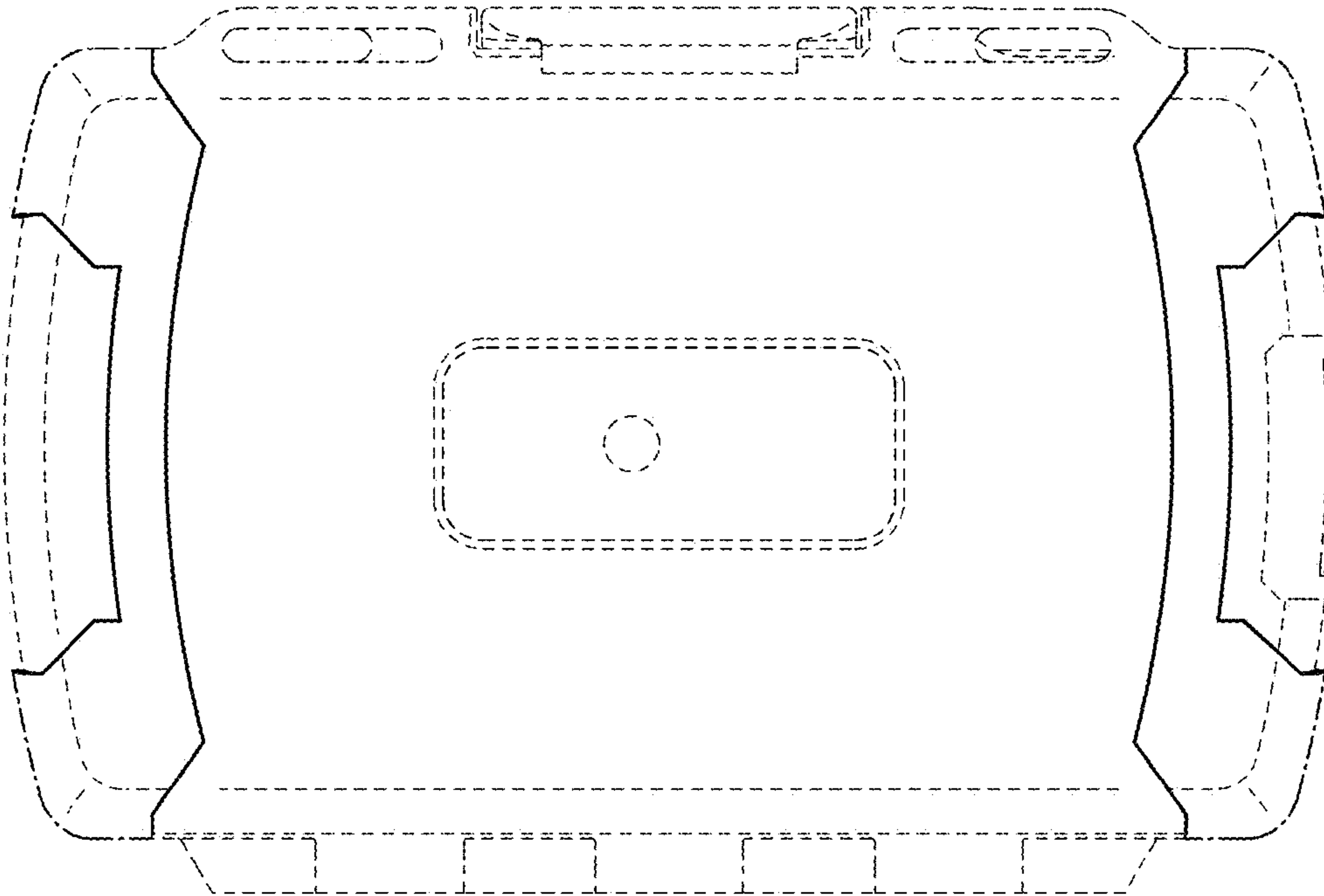


FIG. 3

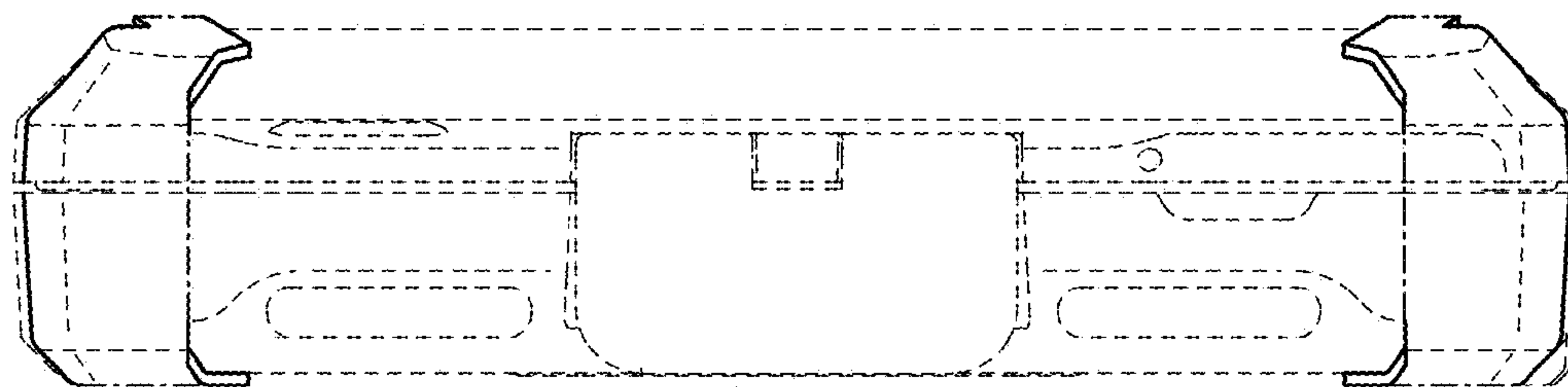


FIG. 4

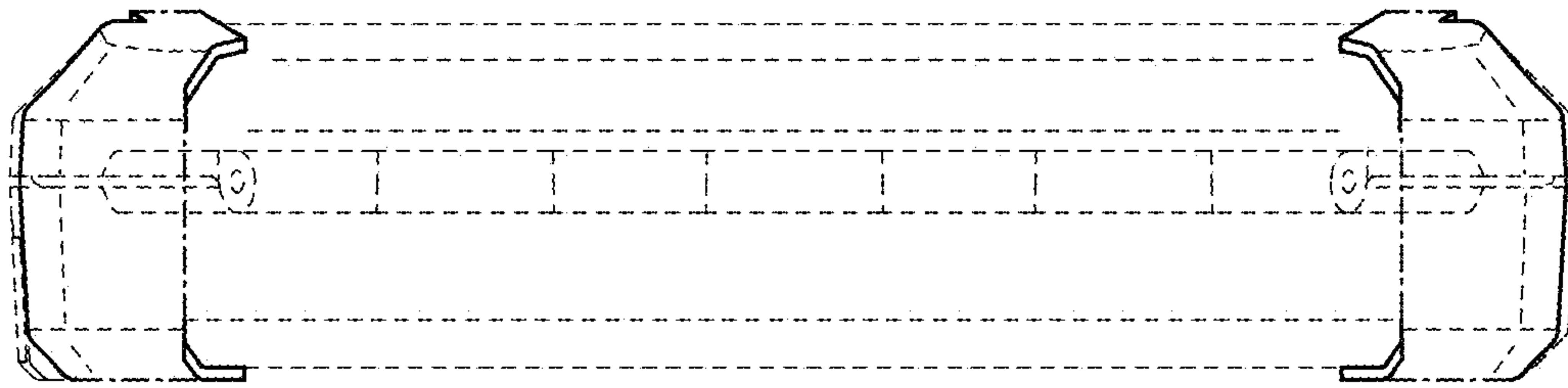


FIG. 5

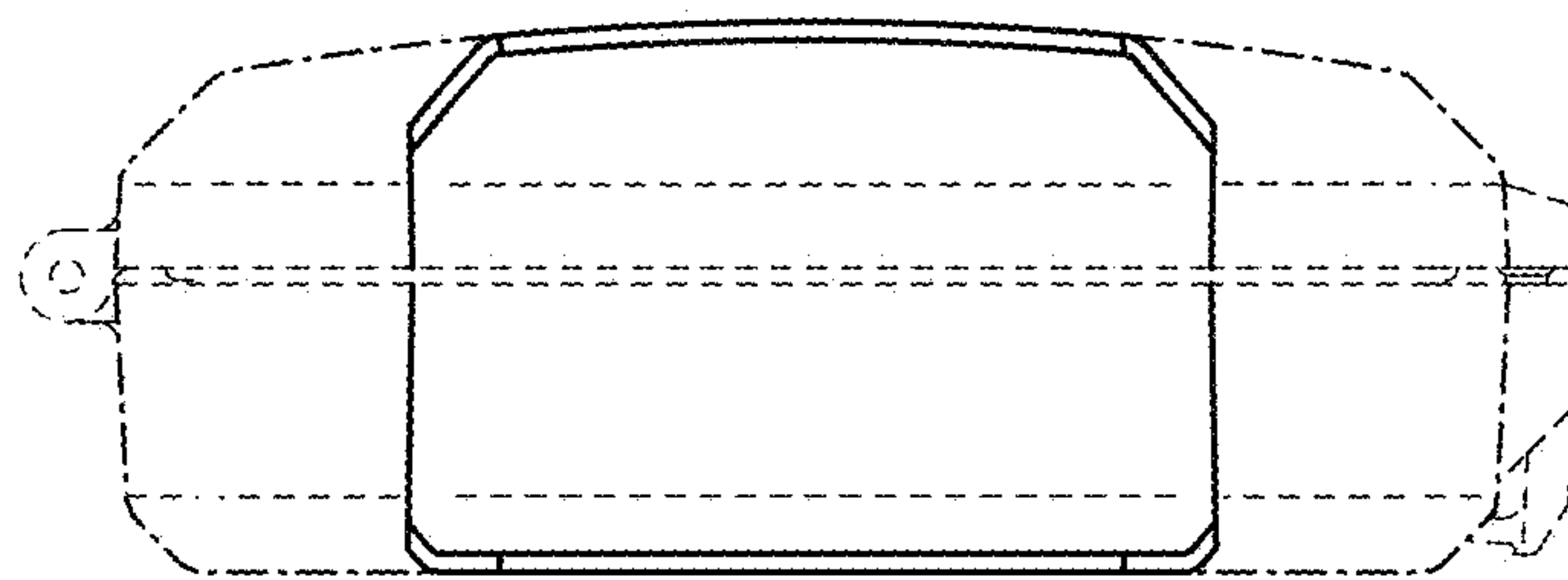


FIG. 6

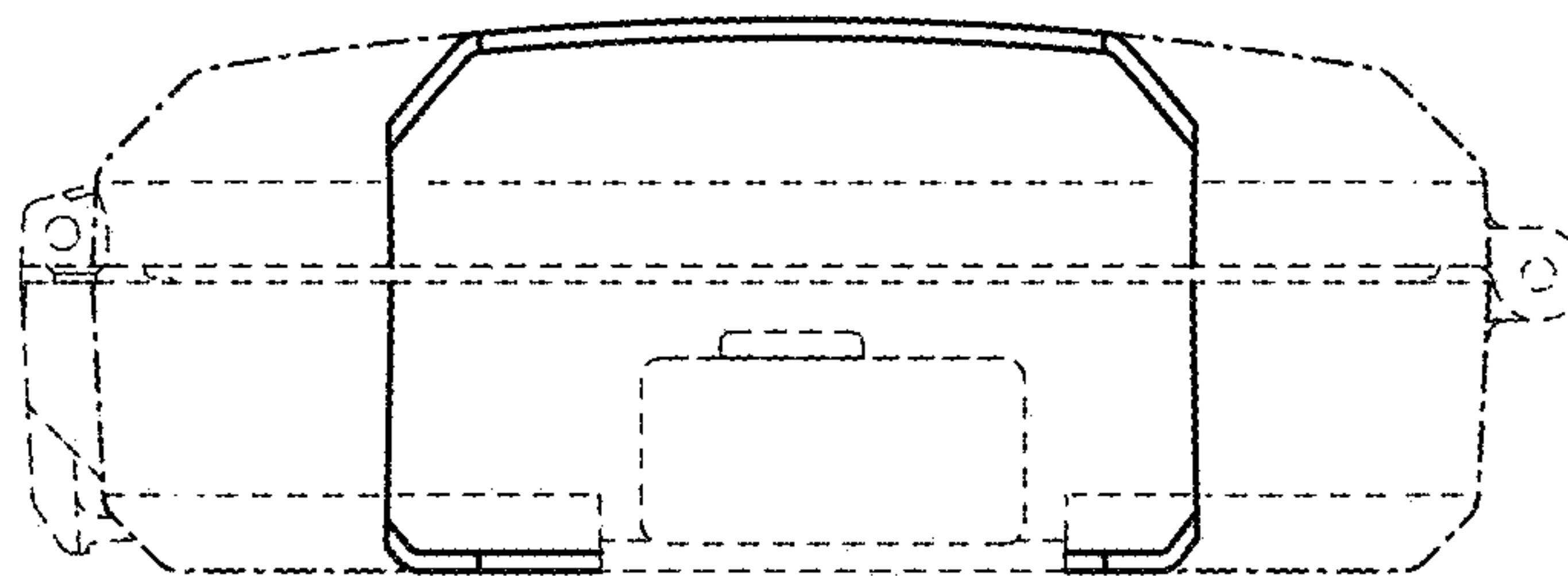


FIG. 7

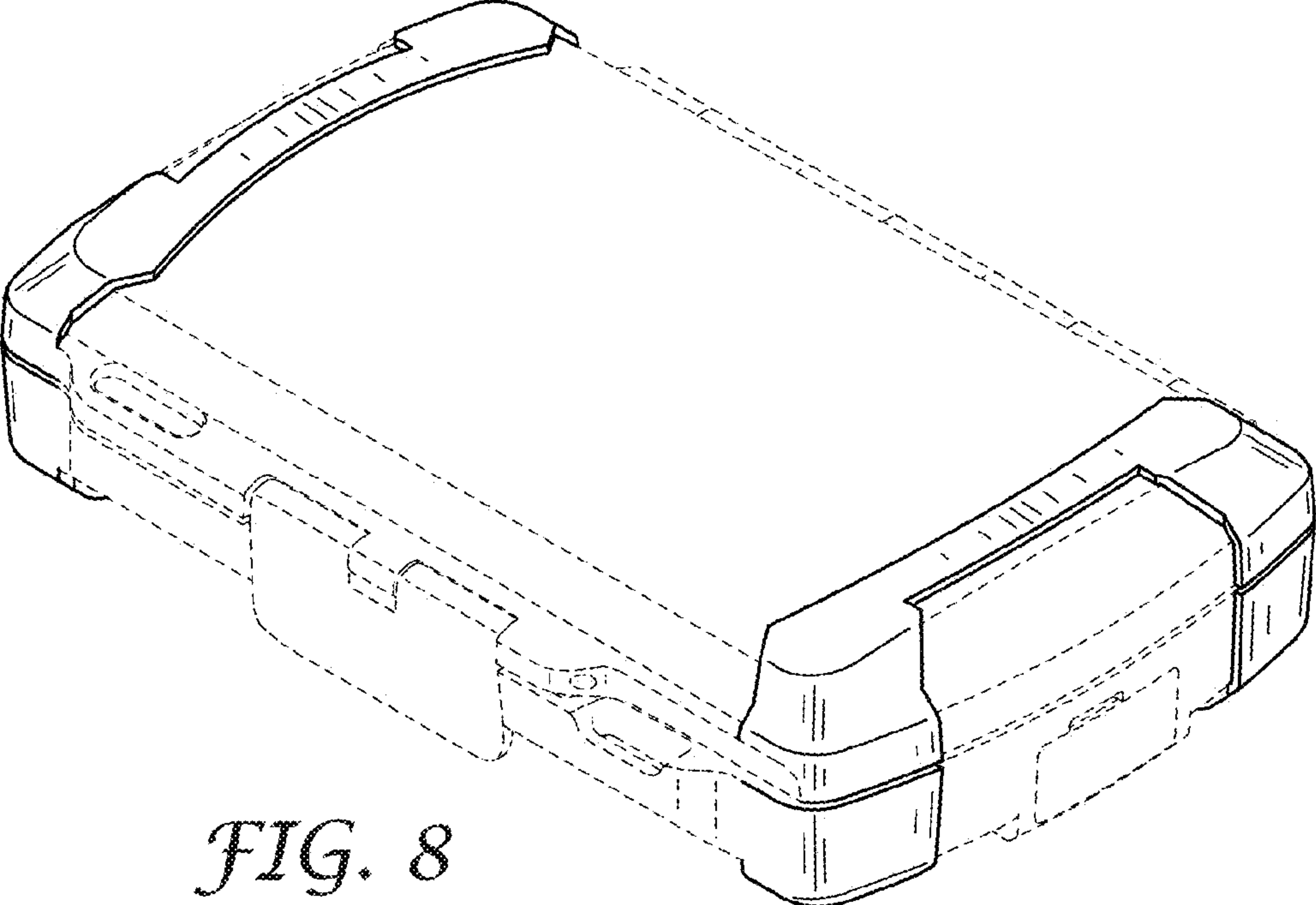


FIG. 8

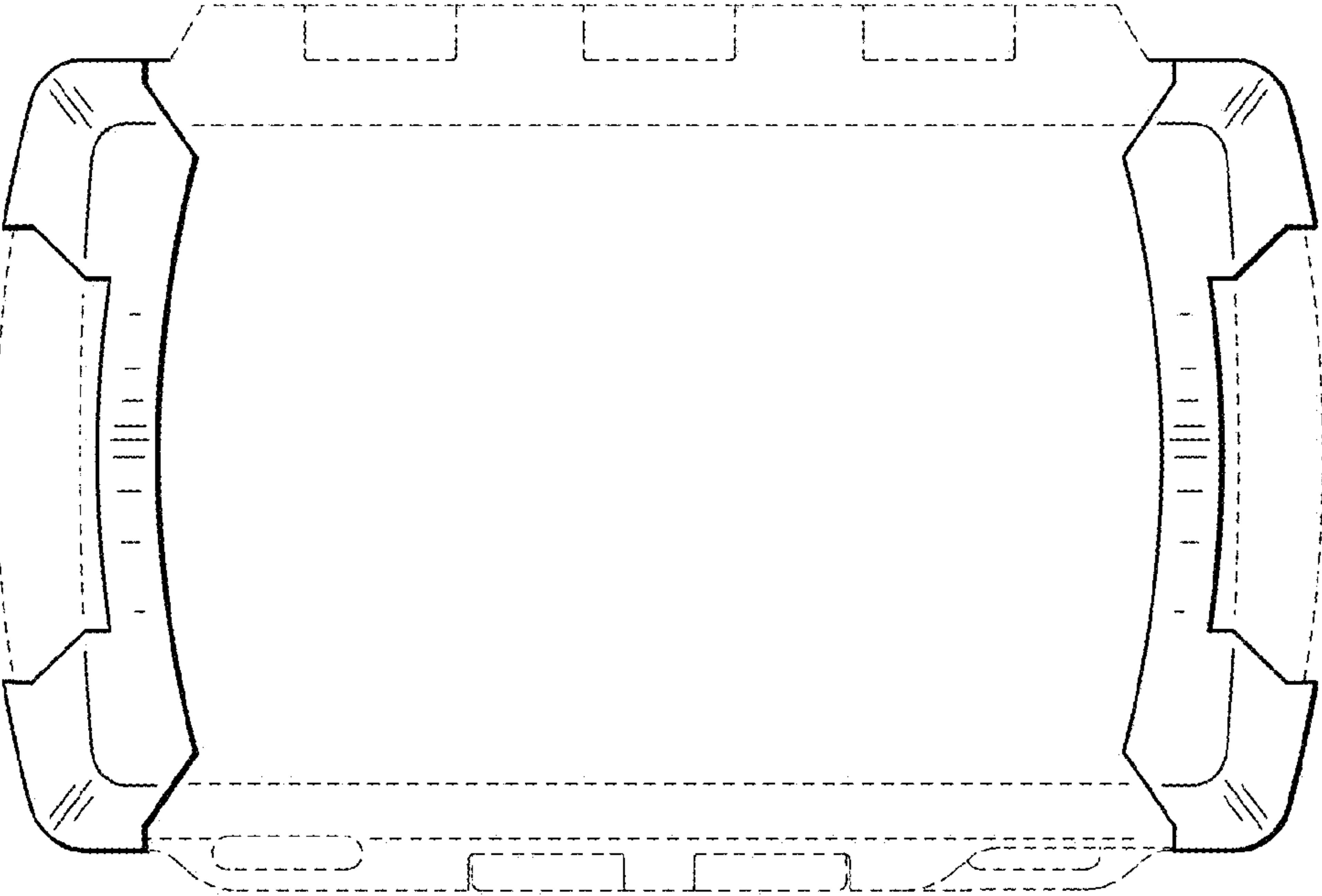


FIG. 9

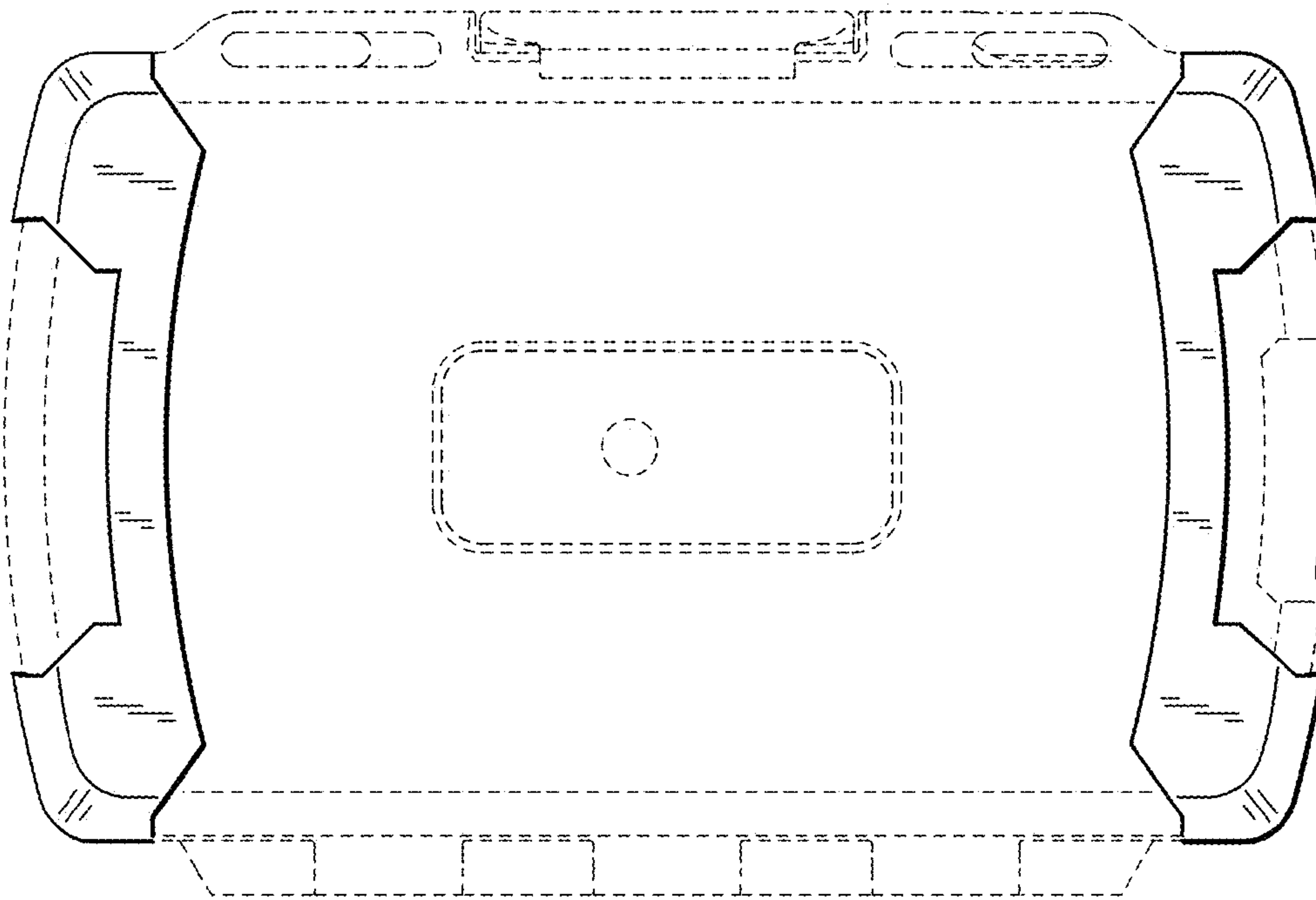


FIG. 10

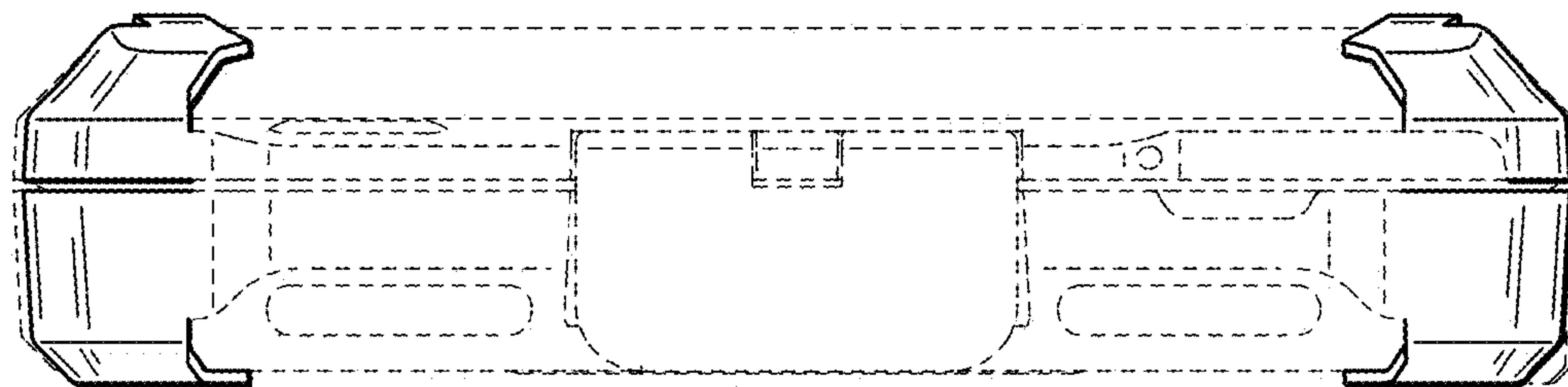


FIG. 11

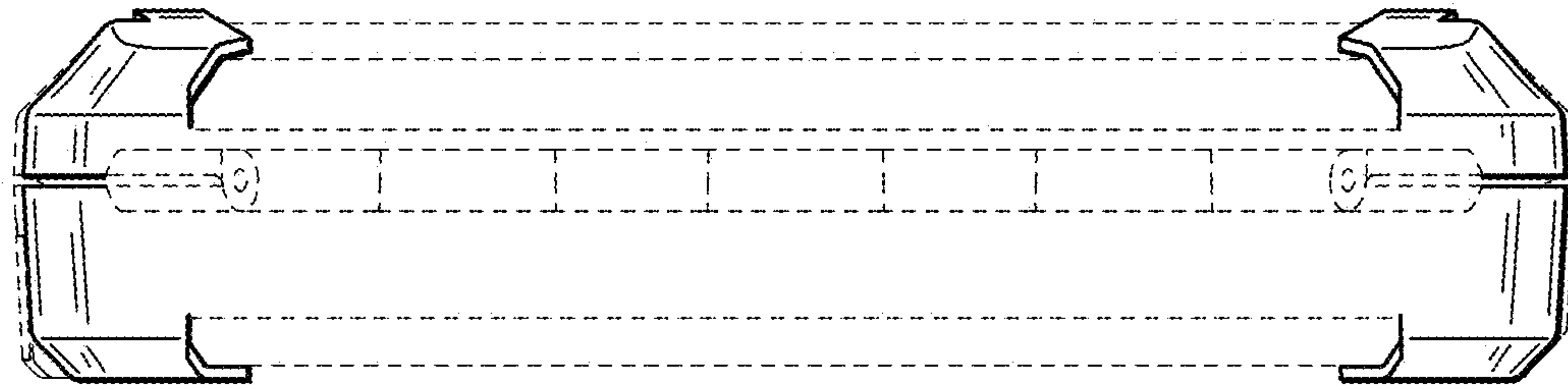


FIG. 12

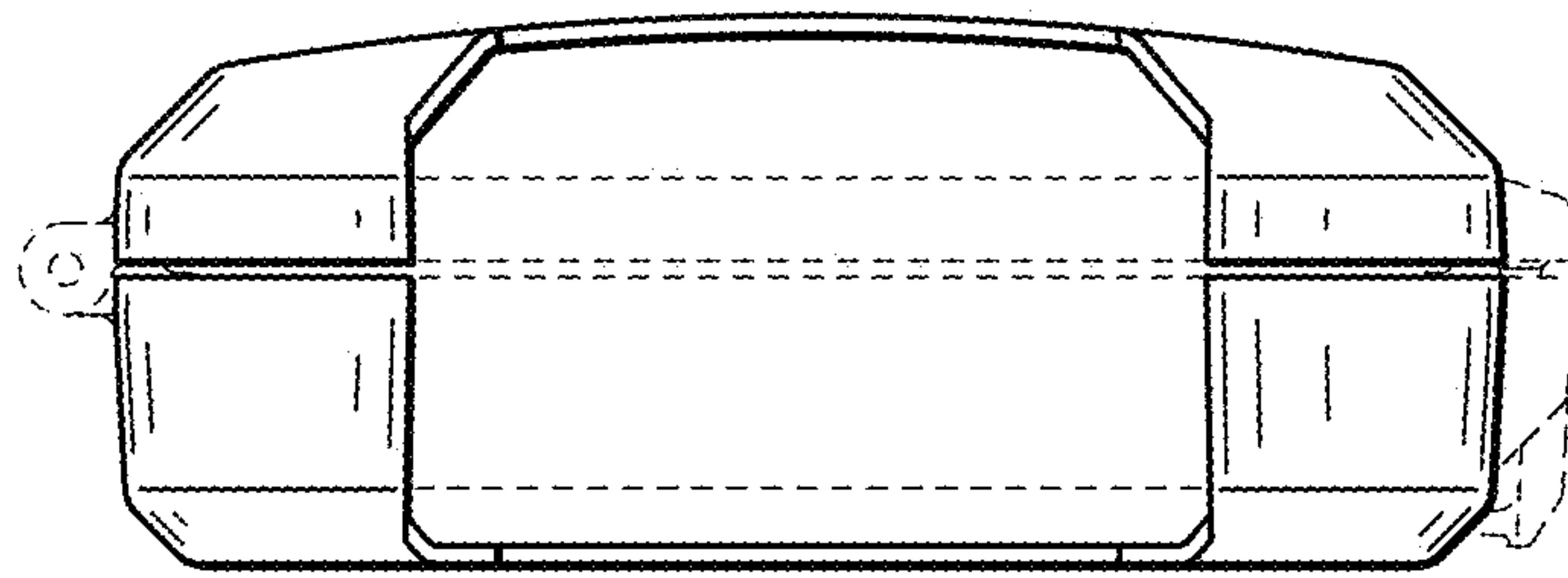


FIG. 13

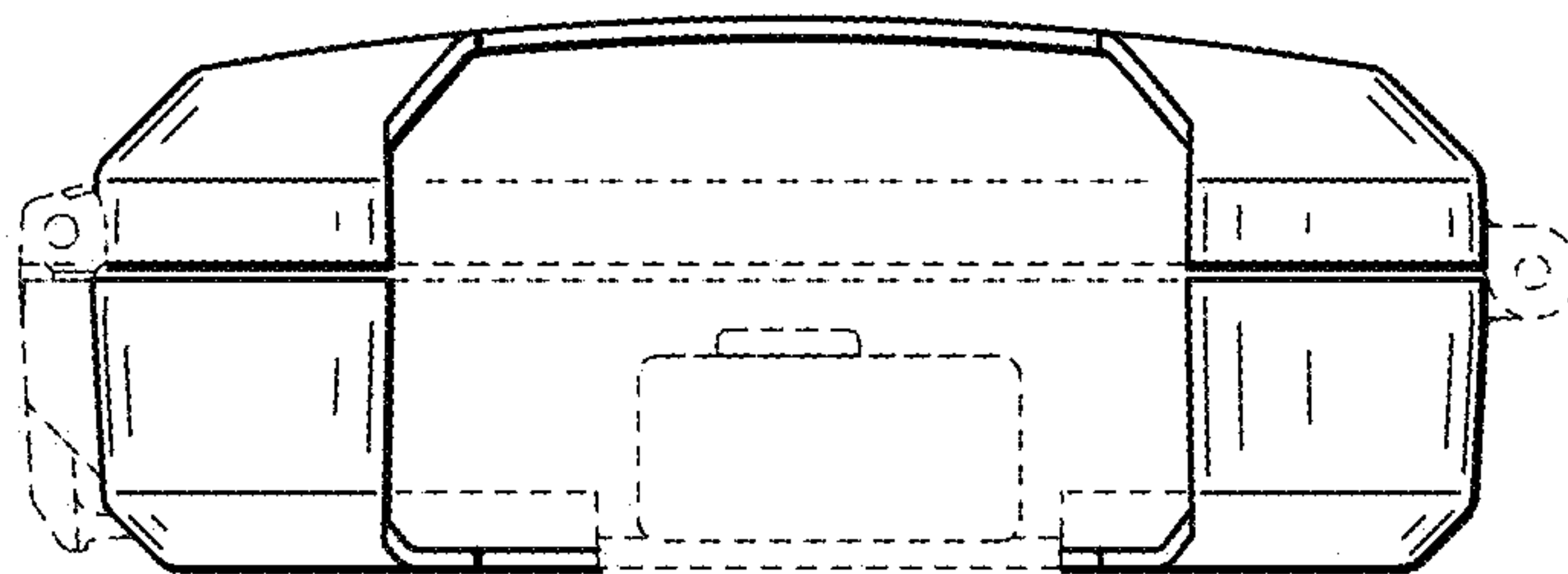


FIG. 14