



US00D738111S

(12) **United States Design Patent**
Otto et al.

(10) **Patent No.:** **US D738,111 S**
(45) **Date of Patent:** **** Sep. 8, 2015**

(54) **COMBINED STACKABLE CONTAINER AND LID**

(71) Applicants: **Greg Otto**, Lake Worth, FL (US); **Jeff Beverly**, Lake Worth, FL (US)

(72) Inventors: **Greg Otto**, Lake Worth, FL (US); **Jeff Beverly**, Lake Worth, FL (US)

(**) Term: **14 Years**

(21) Appl. No.: **29/455,102**

(22) Filed: **May 16, 2013**

(51) **LOC (10) Cl.** **03-01**

(52) **U.S. Cl.**
USPC **D3/302**; D9/504; D9/745

(58) **Field of Classification Search**
USPC D3/273, 203.1, 274, 294, 298, 302, 901, D3/903; D7/392.1; D9/503, 505, 428, 504, D9/454, 509, 551, 745; D27/190, 191; 206/508, 509, 511, 499; 220/4.26, 220/23.83, 802, 783, 701, 200; 215/10
CPC B65D 25/2897; B65D 21/00; B65D 1/10; B65D 21/0222; A24F 23/00
See application file for complete search history.

(56) **References Cited**

U.S. PATENT DOCUMENTS

2,076,550	A *	4/1937	Conner	215/12.1
3,067,896	A *	12/1962	Berg et al.	215/12.1
3,091,361	A *	5/1963	Gawron	206/508
5,709,314	A *	1/1998	Petry	220/802
5,799,792	A *	9/1998	Abrums	206/508
D510,524	S *	10/2005	Houk et al.	D9/503
D518,728	S *	4/2006	Frantz	D9/504
D530,208	S *	10/2006	Danne et al.	D9/504
D581,809	S *	12/2008	Wichowski	D9/772
D592,956	S *	5/2009	Thiellier	D9/504
D605,529	S *	12/2009	Holtrop	D9/746
D643,694	S *	8/2011	Lu	D7/629
D651,519	S *	1/2012	Gibson et al.	D9/529

(Continued)

OTHER PUBLICATIONS

Amazon.com, SLiK nonSTiK Stackable Non-stick Concentrate Storage Containers, Accessed Feb. 26, 2015.*

Primary Examiner — Jennifer Rivard

Assistant Examiner — April Rivas

(74) *Attorney, Agent, or Firm* — QuickPatents; Kevin Prince

(57) **CLAIM**

We claim the ornamental design for a combined stackable container and lid, as shown and described.

DESCRIPTION

FIG. 1 is an exploded perspective view of a combined stackable container and lid, showing a first embodiment of our new design;

FIG. 2 is a perspective view of FIG. 1;

FIG. 3 is an exploded front elevational view of FIG. 1, the rear elevational view, left-side elevational view, and right-side elevational view all being identical thereto;

FIG. 4 is an exploded top plan view of FIG. 1 with the lid shown adjacent to the container;

FIG. 5 is an exploded bottom plan view of FIG. 1 with the lid shown adjacent to the container;

FIG. 6 is a cross-sectional view of FIG. 1, taken along lines 6-6 of FIG. 4;

FIG. 7 is an exploded perspective view of a fifth embodiment thereof;

FIG. 8 is a perspective view of FIG. 7;

FIG. 9 is an exploded front elevational view of FIG. 7, the rear elevational view, left-side elevational view, and right-side elevational view all being identical thereto;

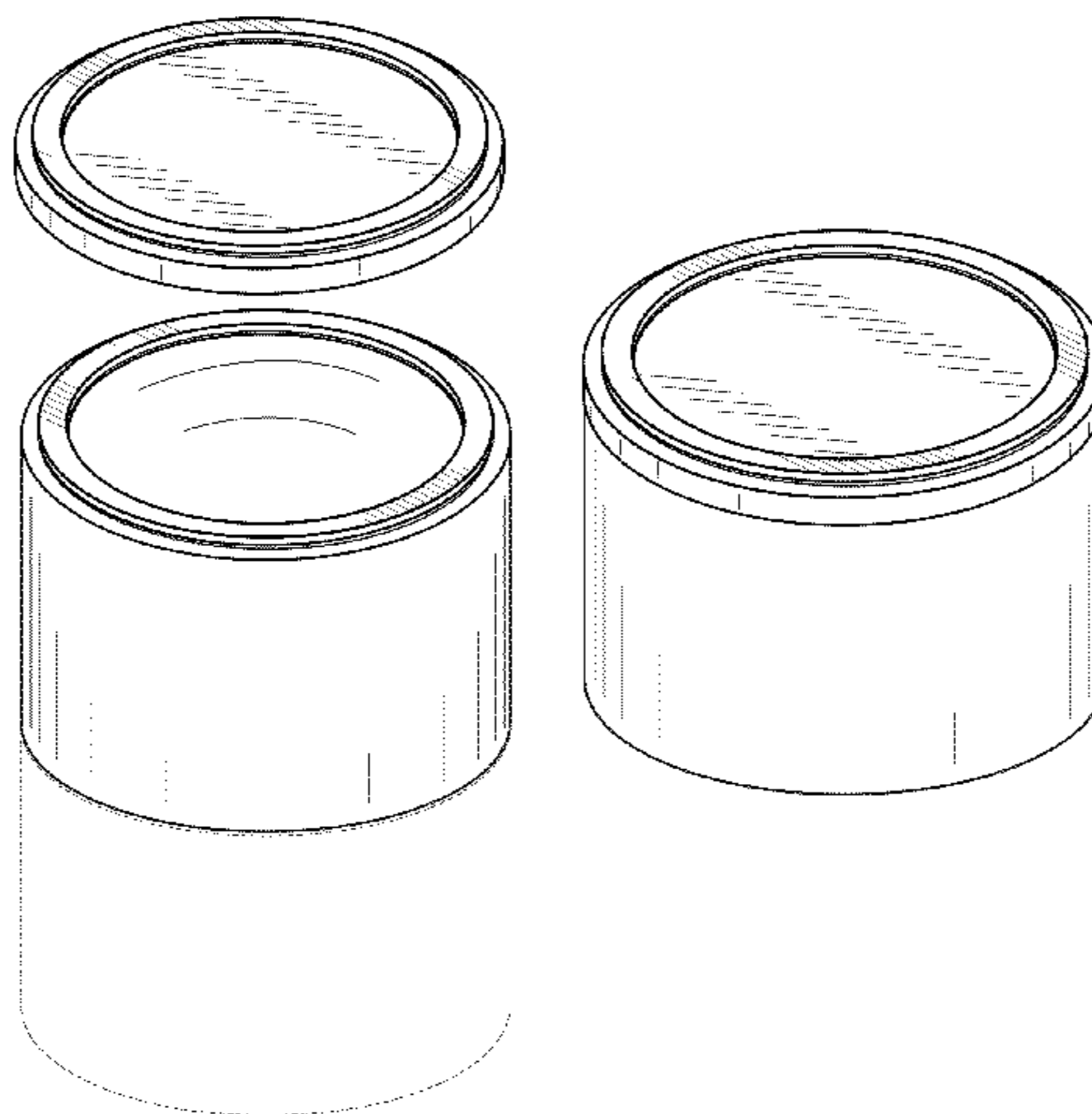
FIG. 10 is an exploded top plan view of FIG. 7 with the lid shown adjacent to the container;

FIG. 11 is an exploded bottom plan view of FIG. 7 with the lid shown adjacent to the container; and,

FIG. 12 is a cross-sectional view of FIG. 7, taken along lines 12-12 of FIG. 10.

The broken lines showing an additional stacked container in FIG. 1 depict environmental matter and form no part of the claimed design.

1 Claim, 6 Drawing Sheets



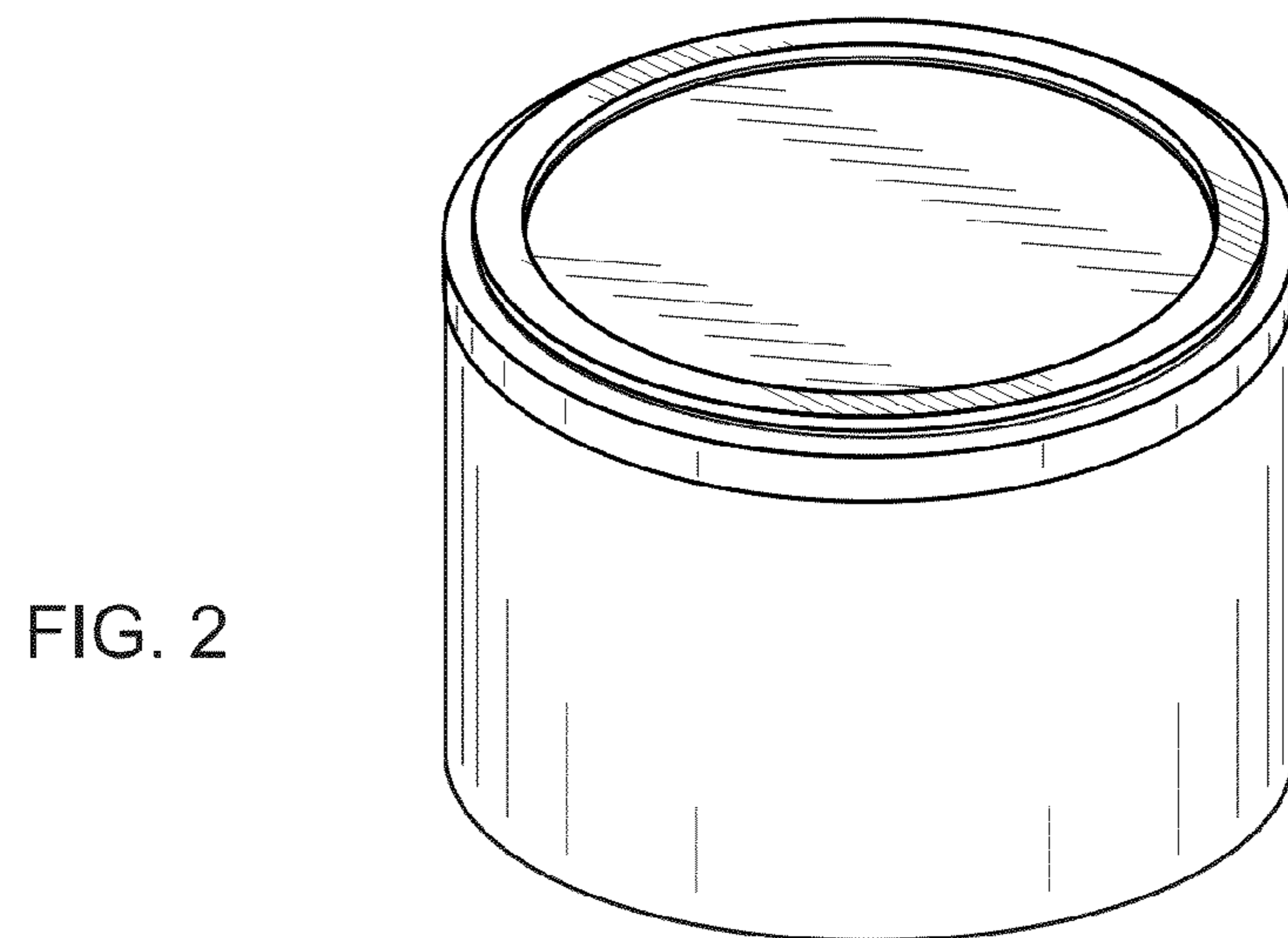
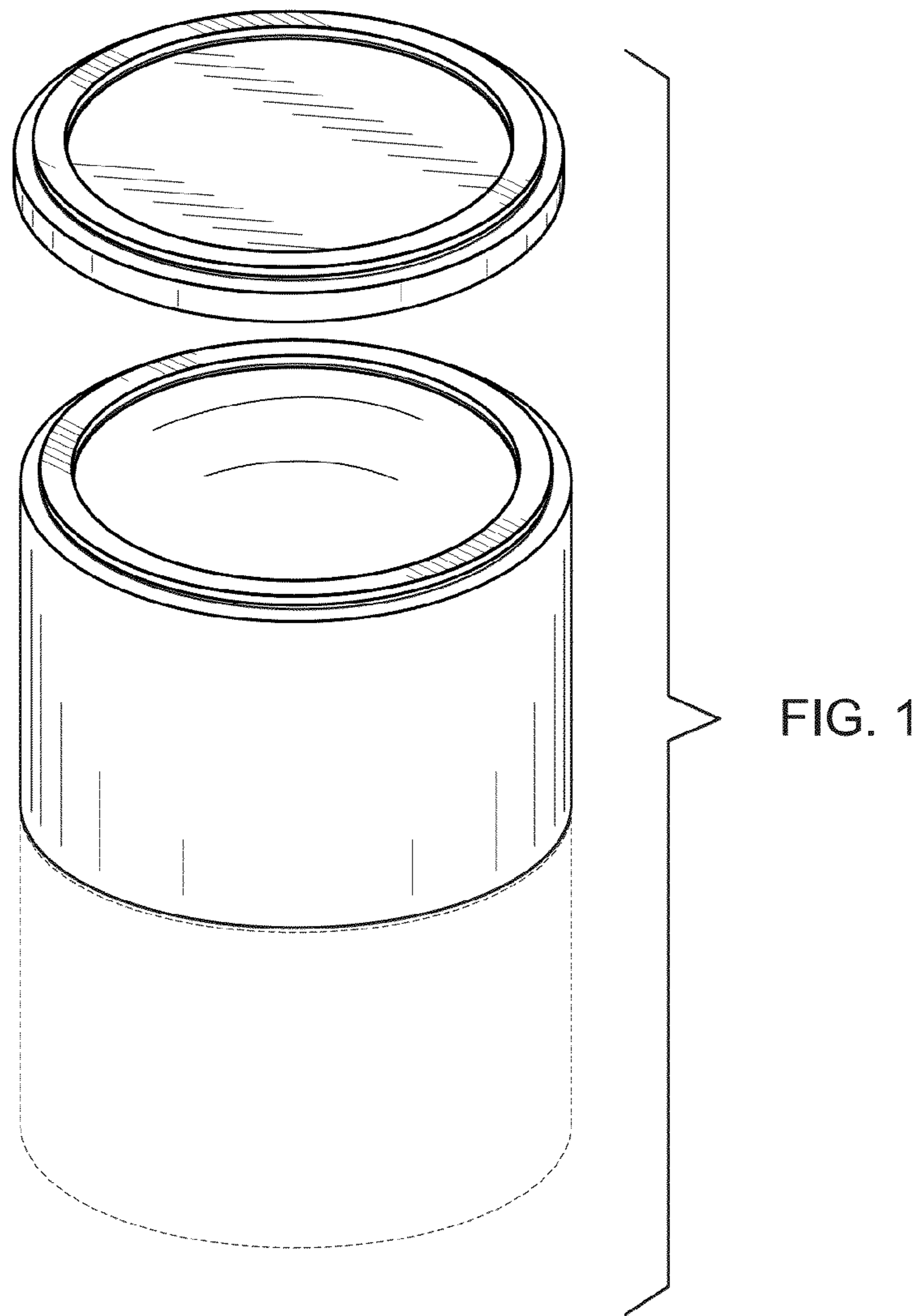
(56)

References Cited

U.S. PATENT DOCUMENTS

D697,800 S *	1/2014	Villarreal et al.	D9/500	2004/0238536 A1 *	12/2004	Volkman	220/4.26
D711,250 S *	8/2014	Henriksson	D9/669	2008/0060965 A1 *	3/2008	Stevens et al.		206/508
D719,715 S *	12/2014	Kesselman	D99/37	2014/0069917 A1 *	3/2014	Meyers et al.		220/23.88
2004/0031798 A1 *	2/2004	Fox et al.	220/359.1	2014/0224757 A1 *	8/2014	McWhorter et al.		215/10
				2014/0311940 A1 *	10/2014	Braveman		206/524.6
				2014/0346168 A1 *	11/2014	Wang		220/23.83

* cited by examiner



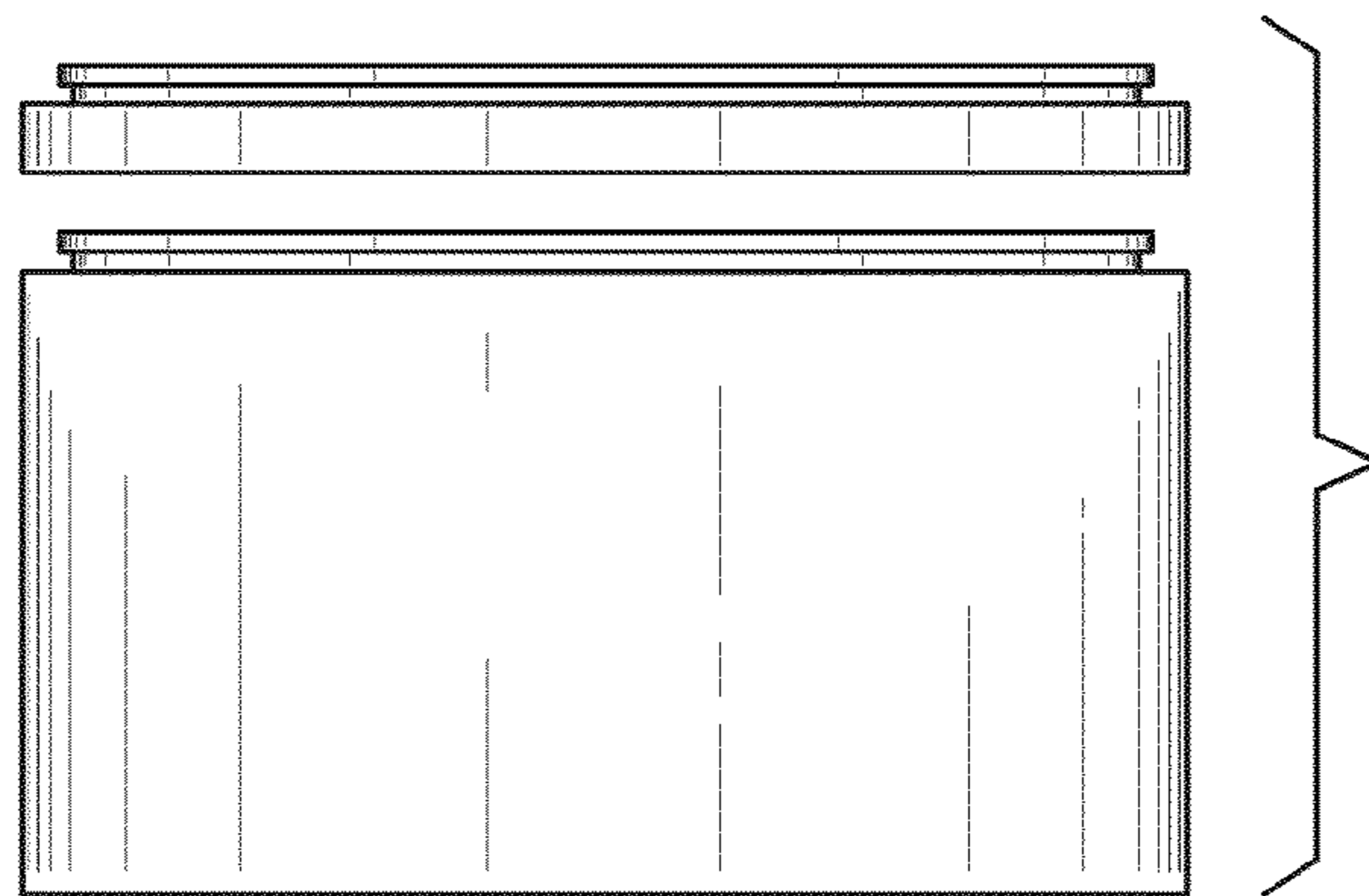


FIG. 3

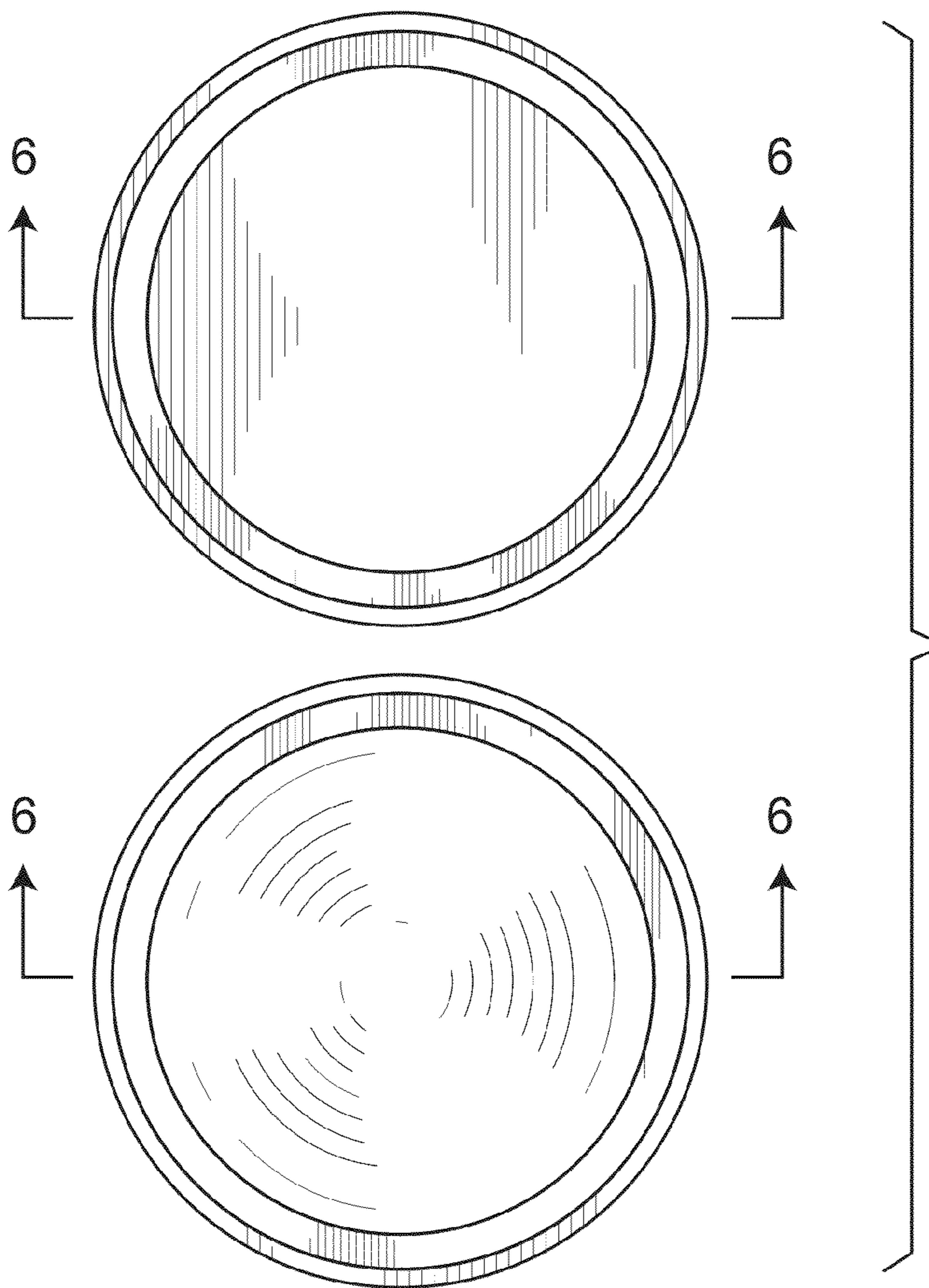


FIG. 4

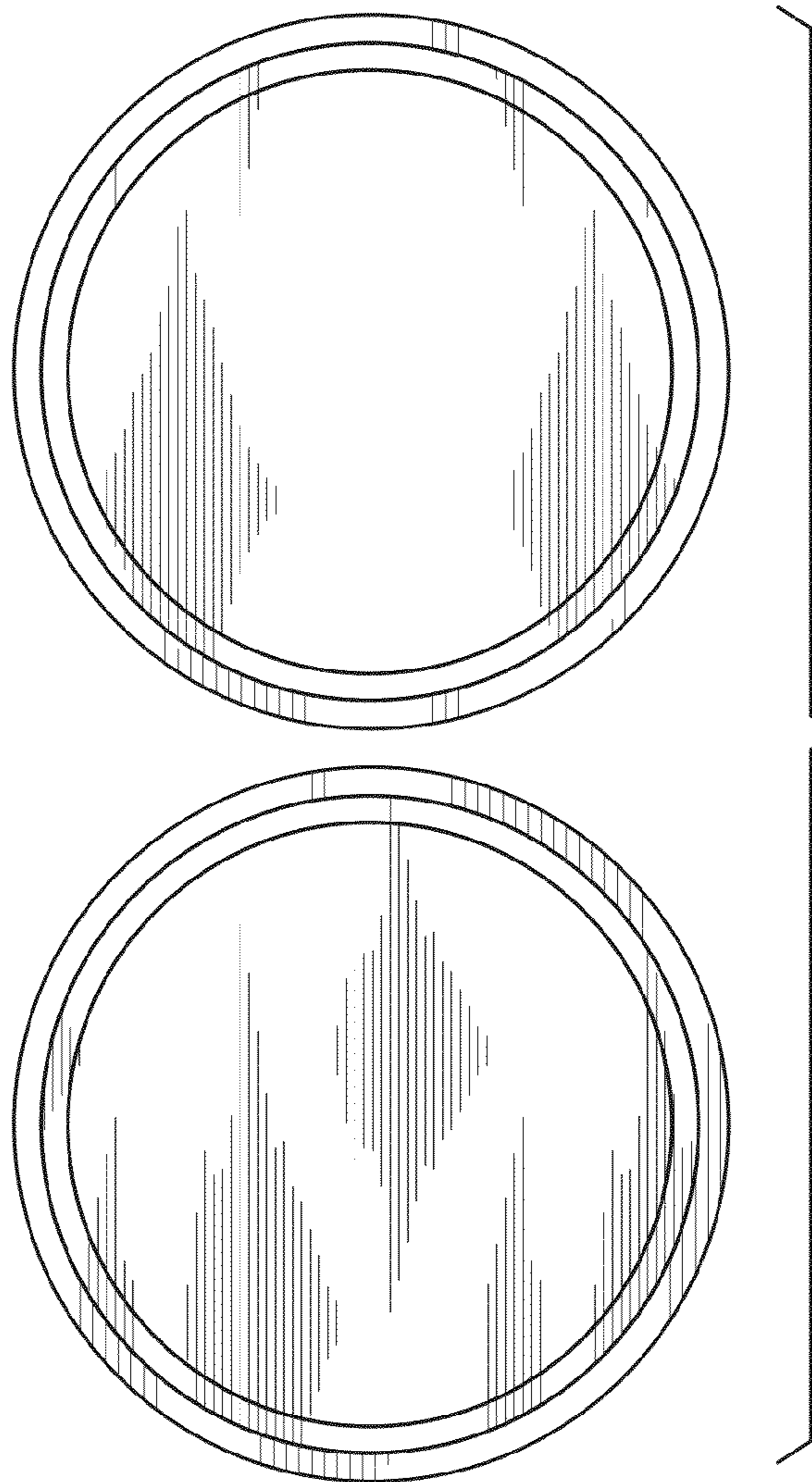


FIG. 5

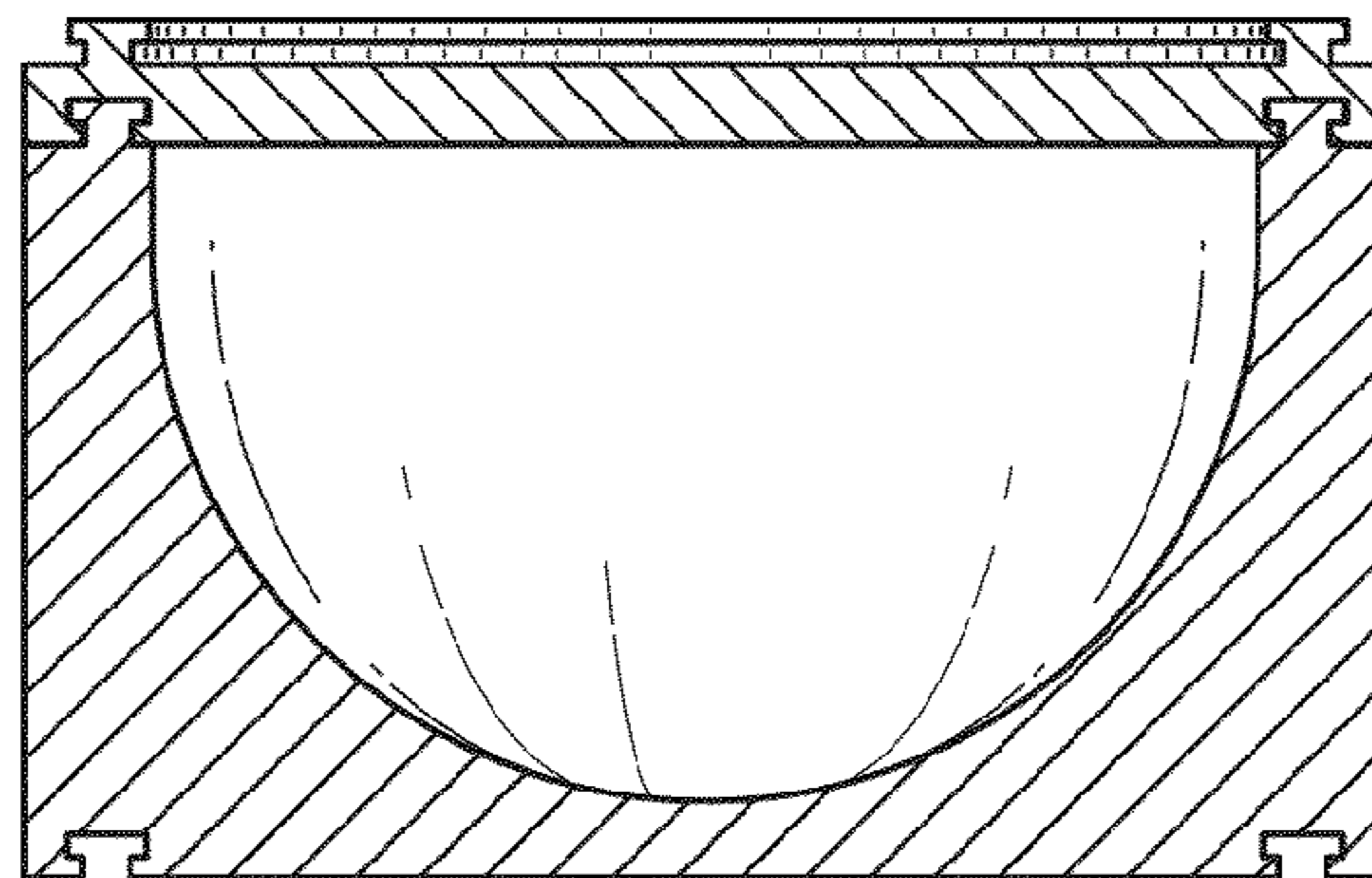


FIG. 6

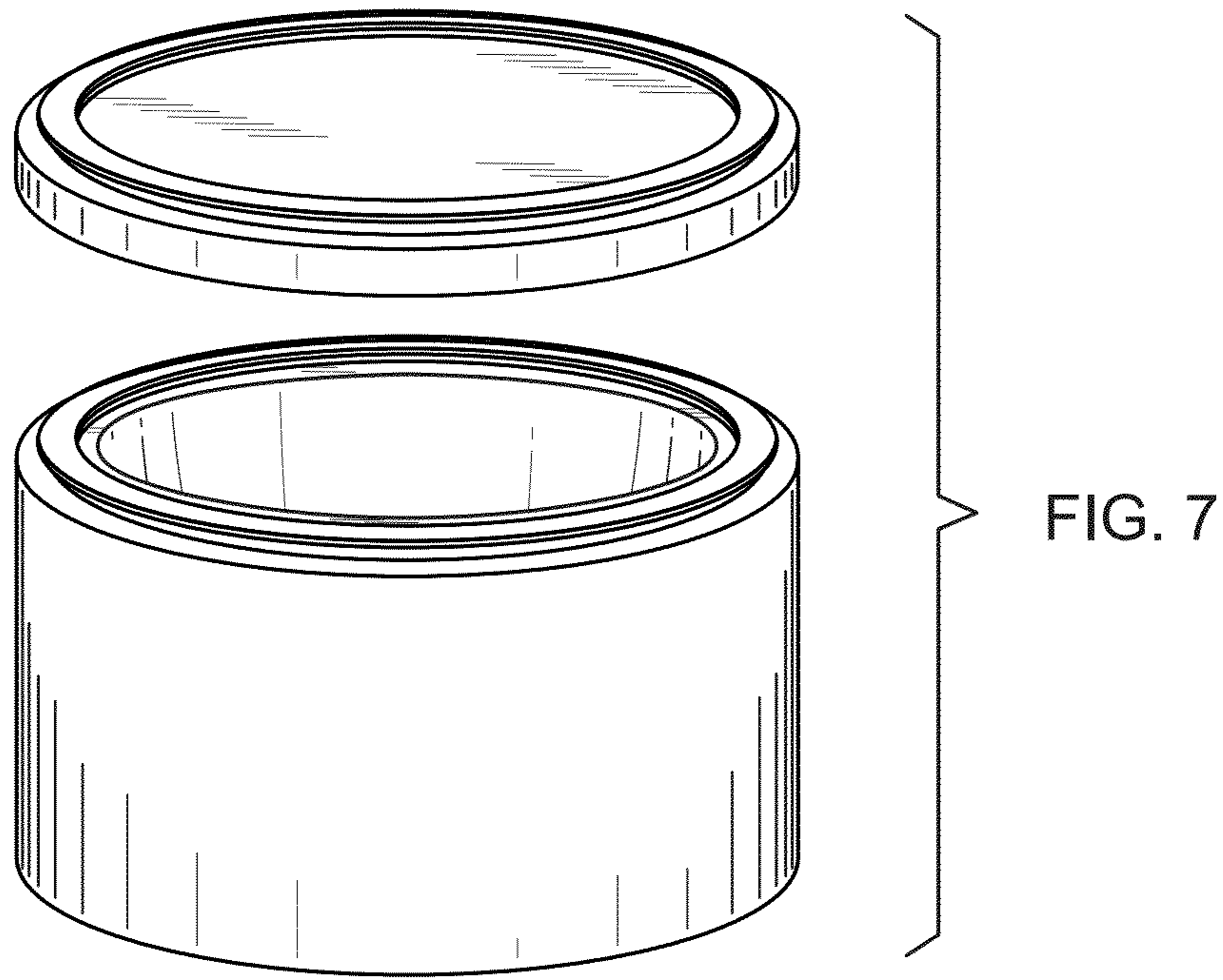
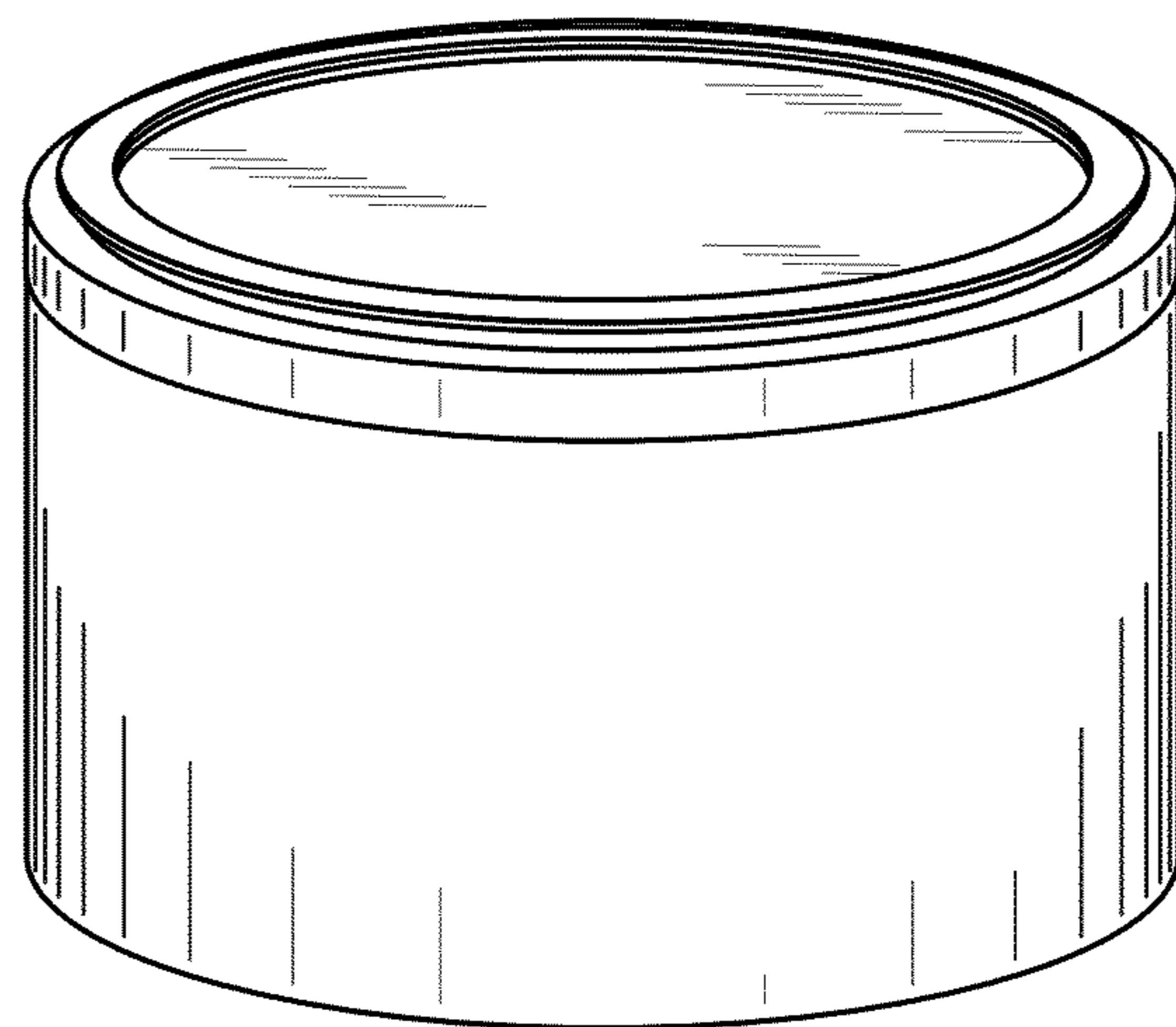


FIG. 8



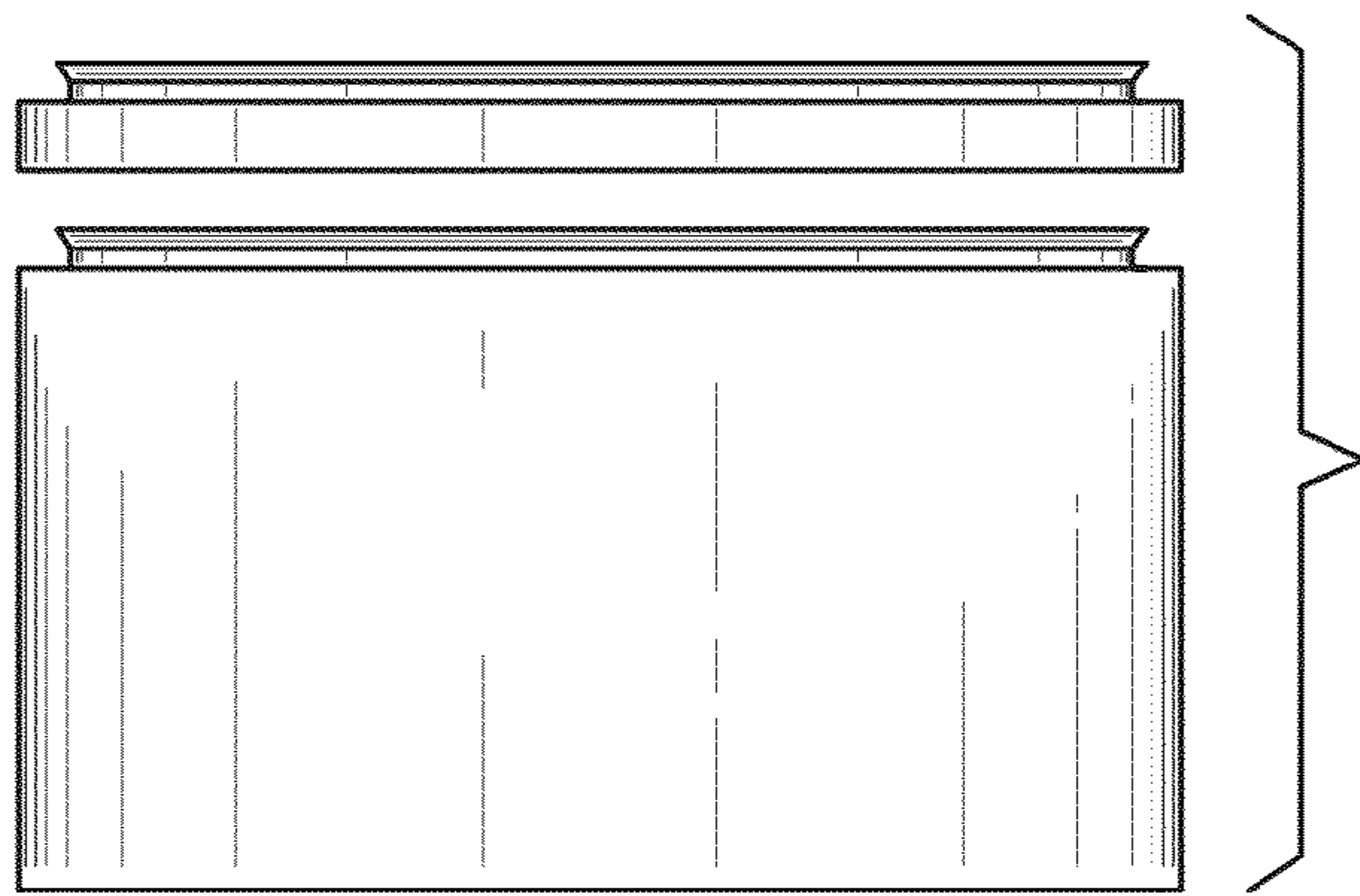


FIG. 9

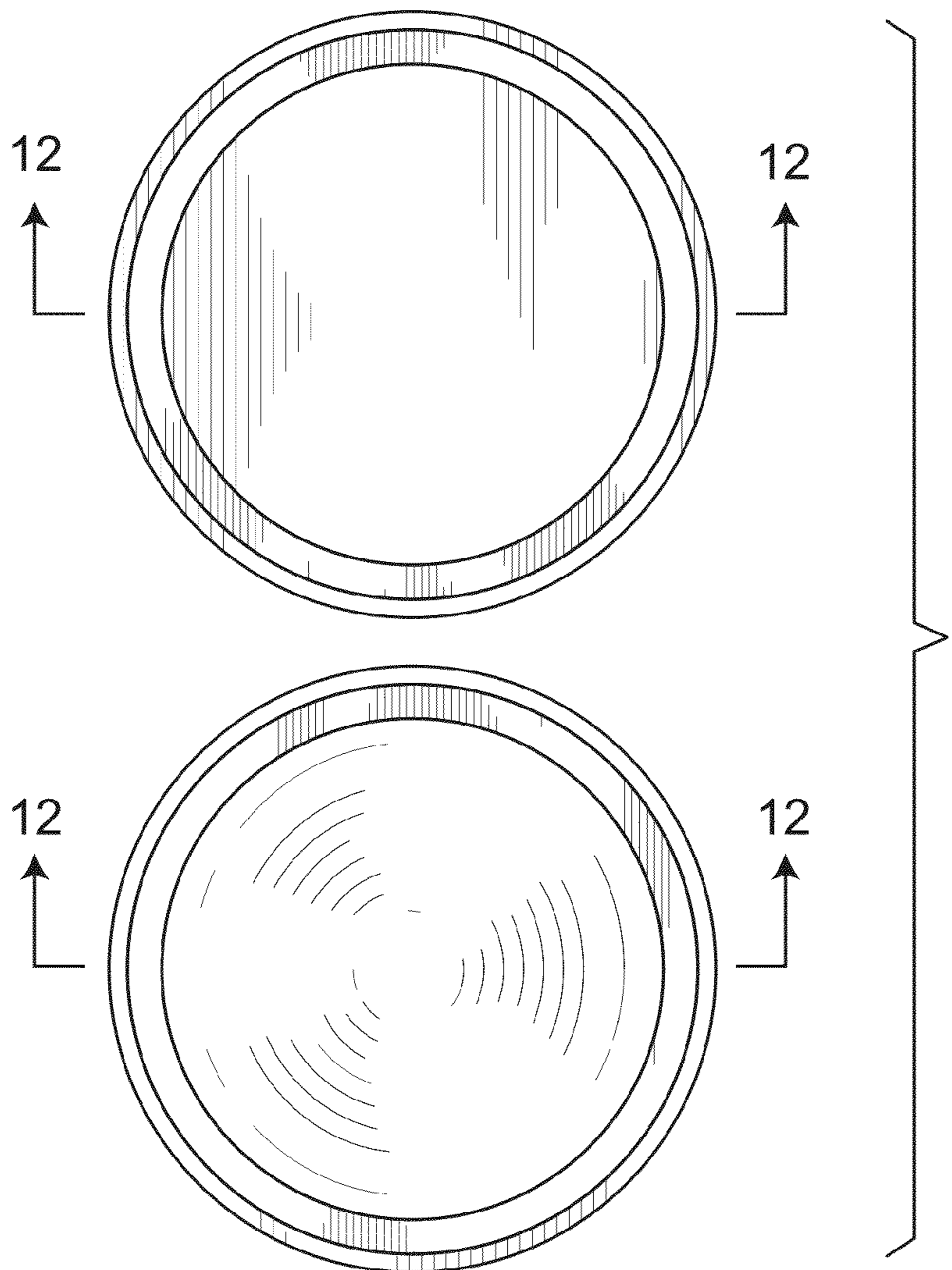


FIG. 10

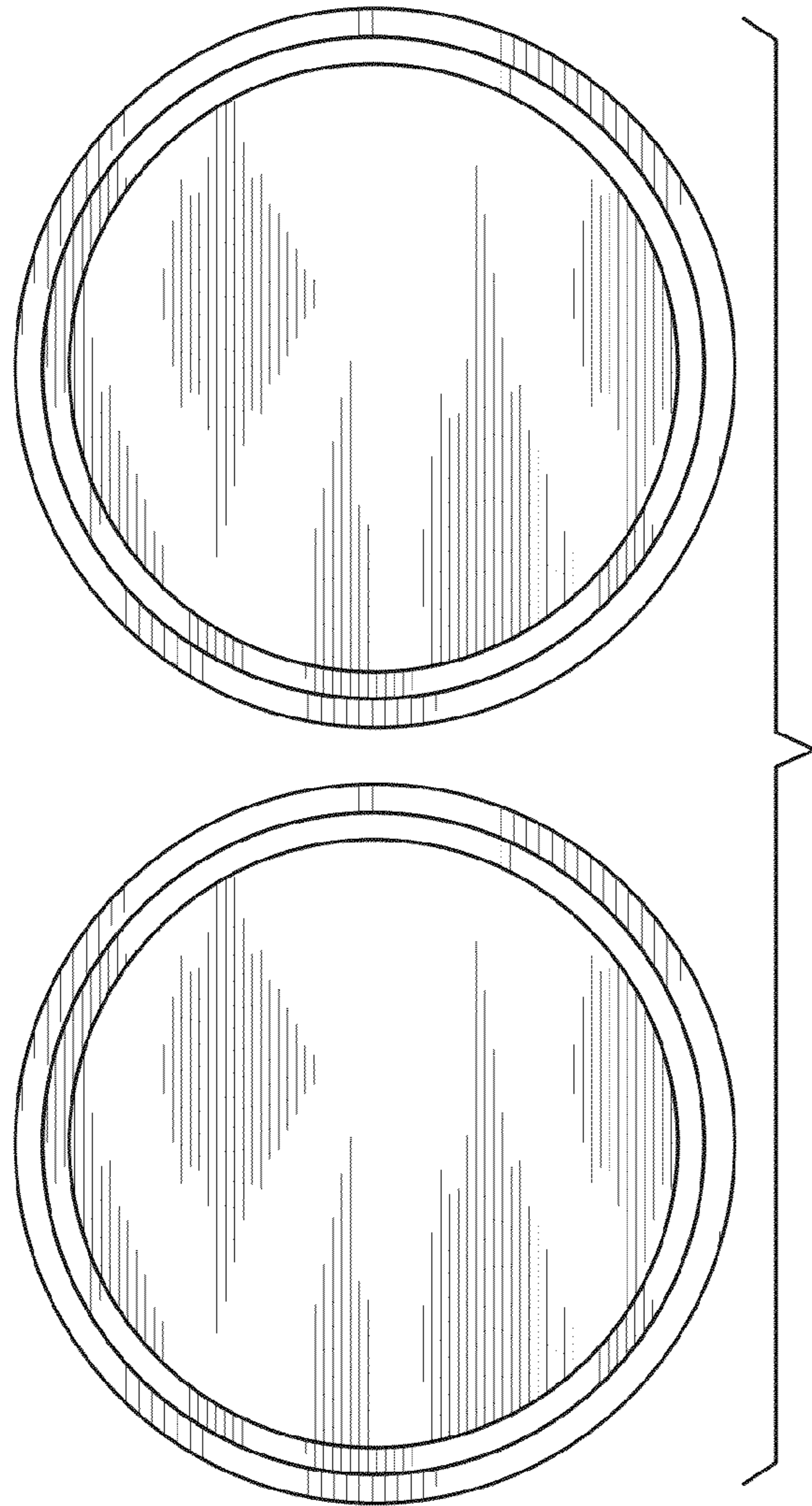


FIG. 11

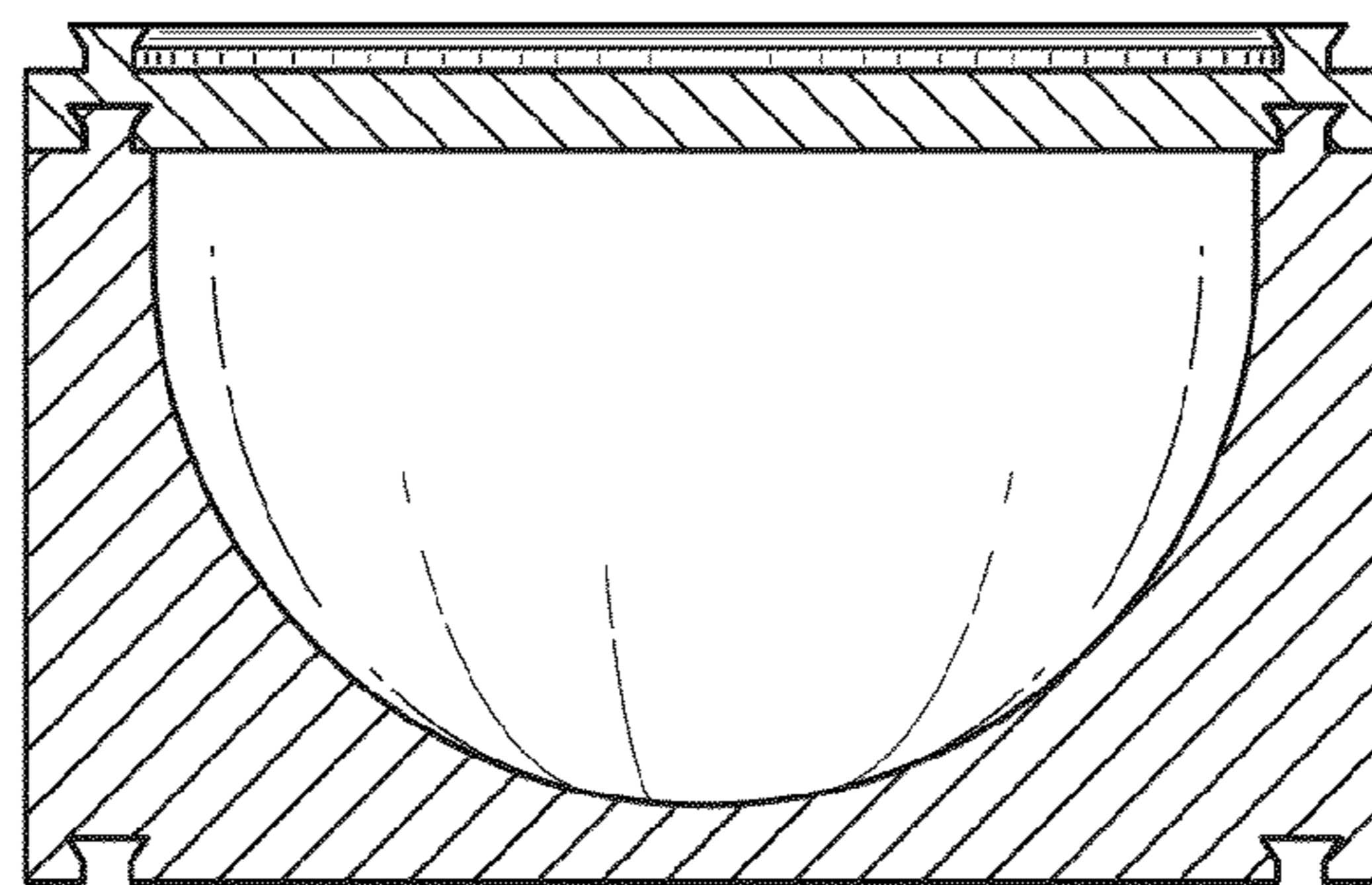


FIG. 12