



US00D738110S

(12) **United States Design Patent**
Jiang et al.

(10) **Patent No.:** **US D738,110 S**
(45) **Date of Patent:** **** Sep. 8, 2015**

(54) **HEADSET CASE**

(71) Applicant: **Motorola Mobility LLC**, Libertyville, IL (US)

(72) Inventors: **Xinrui Jiang**, Chicago, IL (US);
Christopher B Houghton, Chicago, IL (US); **Dickon Isaacs**, Chicago, IL (US);
Peng Jiang, Duluth, GA (US); **Mark D Zaveson**, Antioch, IL (US)

(73) Assignee: **Motorola Mobility LLC**, Chicago, IL (US)

(**) Term: **14 Years**

(21) Appl. No.: **29/461,444**

(22) Filed: **Jul. 23, 2013**

(51) **LOC (10) Cl.** **03-01**

(52) **U.S. Cl.**
USPC **D3/294**

(58) **Field of Classification Search**
USPC D3/294, 273
CPC B65D 85/30; B65D 85/57; B65D 83/04
See application file for complete search history.

(56) **References Cited**

U.S. PATENT DOCUMENTS

D548,970 S *	8/2007	Huang	D3/294
D636,598 S *	4/2011	Tseng et al.	D3/294
D641,164 S *	7/2011	Cornu et al.	D3/294
D675,434 S *	2/2013	Vernall et al.	D3/294
D675,823 S *	2/2013	Vernall et al.	D3/294

OTHER PUBLICATIONS

Motorola, "Motorola Elite Sliver", Jul. 2, 2013, <http://www.motorola.com/us/consumers/Motorola-Elite-Sliver-Bluetooth%C2%AE-Headset>, 2 pages.
Christopher B. Houghton, et al, "Headset for a Communication Device", U.S. Appl. No. 29/459,626, filed Jul. 2, 2013.
Christopher B. Houghton, et al., "Headset Case", U.S. Appl. No. 29/460,763, filed Jul. 15, 2013.

* cited by examiner

Primary Examiner — Holly Baynham

(74) *Attorney, Agent, or Firm* — Gary J. Cunningham

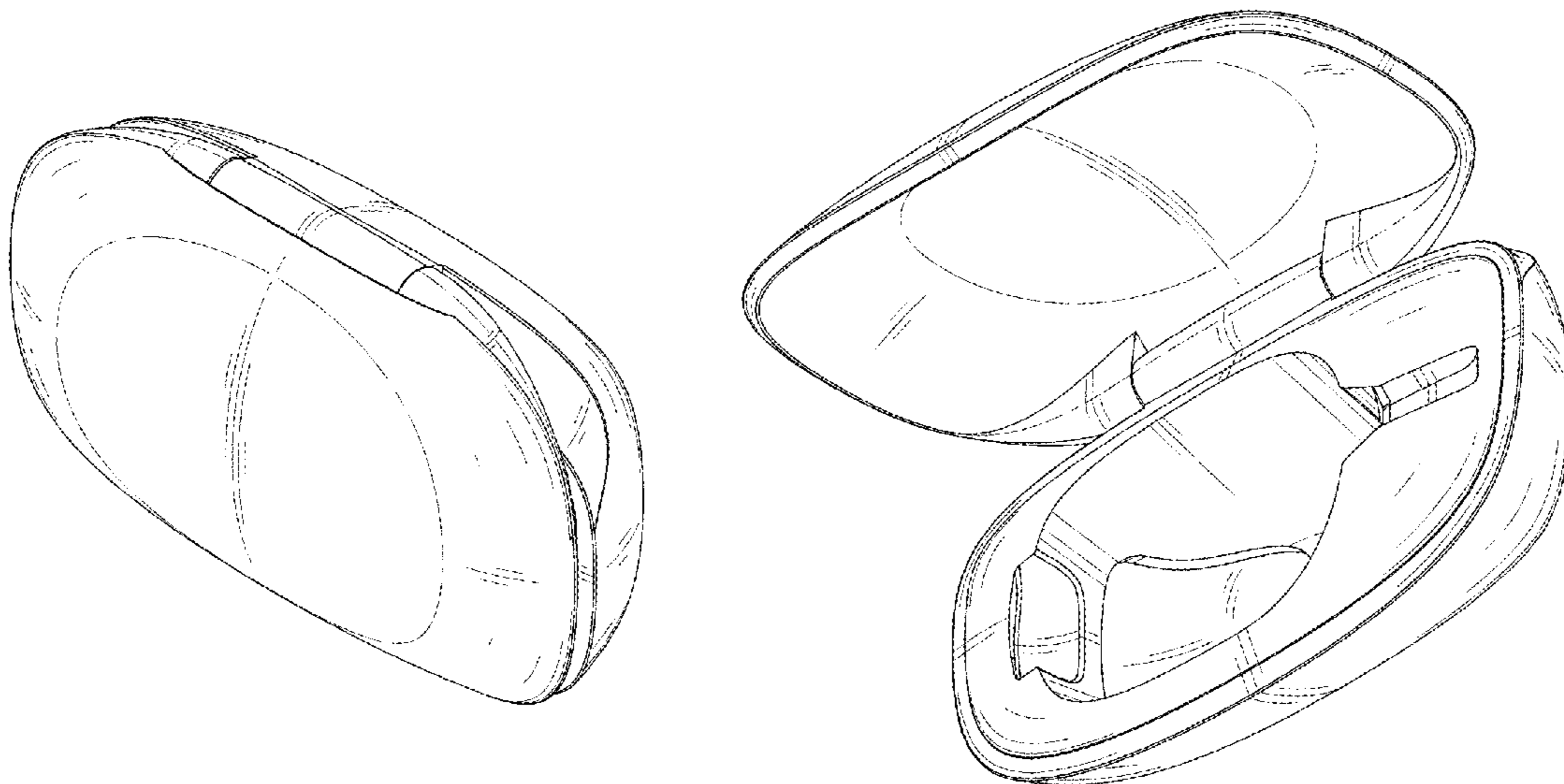
(57) **CLAIM**

The ornamental design for a headset case, as shown and described.

DESCRIPTION

FIG. 1 is a top, perspective view of a headset case in a closed position;
FIG. 2 is a bottom perspective view thereof;
FIG. 3 is a top view thereof;
FIG. 4 is a bottom view thereof;
FIG. 5 is a first side view thereof;
FIG. 6 is a second side view thereof;
FIG. 7 is a front view thereof; and
FIG. 8 is a rear view thereof.
FIG. 9 is a top, perspective view in a closed position;
FIG. 10 is a bottom perspective view thereof;
FIG. 11 is a top view thereof;
FIG. 12 is a bottom view thereof;
FIG. 13 is a first side view thereof;
FIG. 14 is a second side view thereof;
FIG. 15 is a front view thereof; and,
FIG. 16 is a rear view thereof.

1 Claim, 10 Drawing Sheets



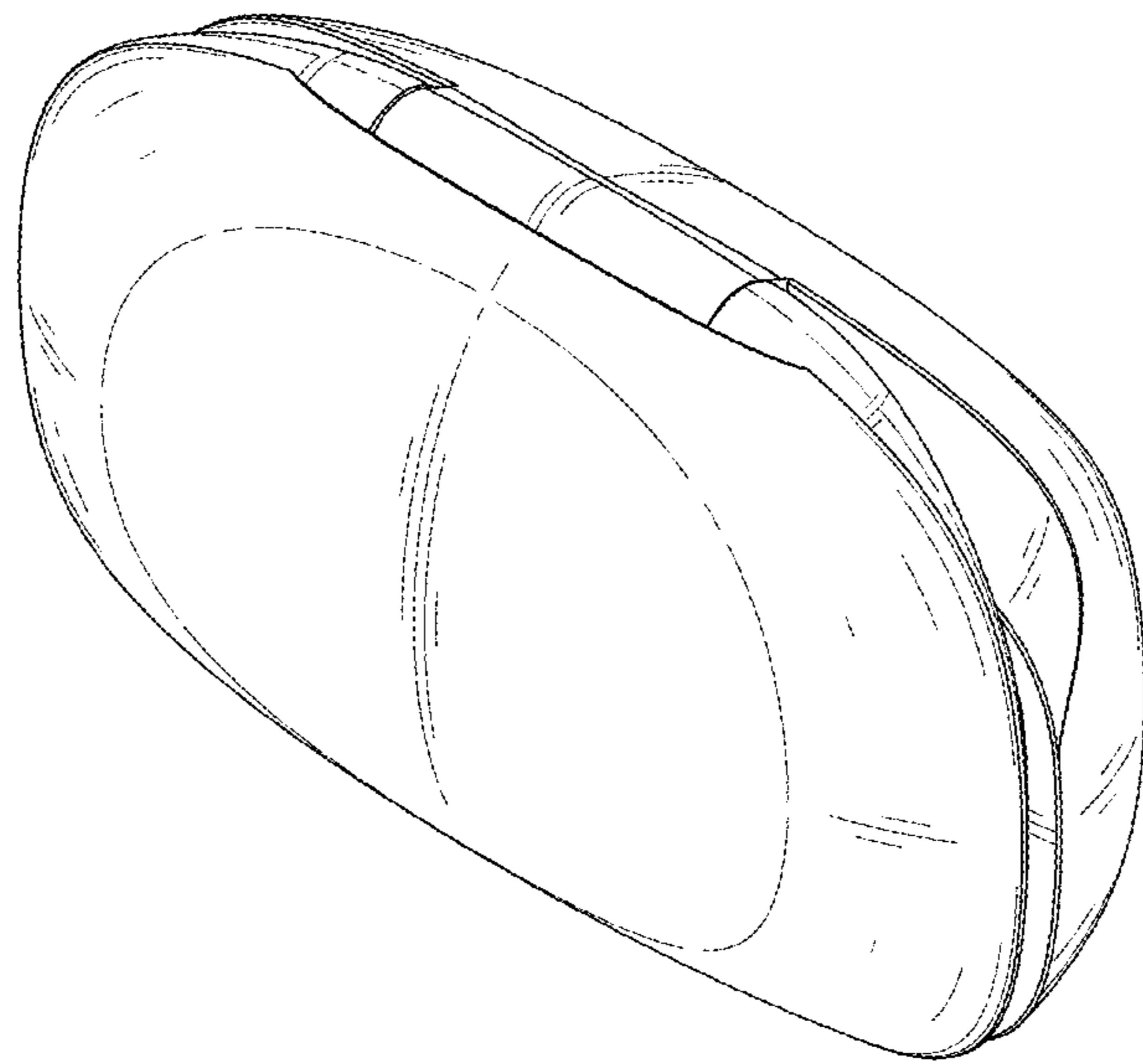


FIG. 1

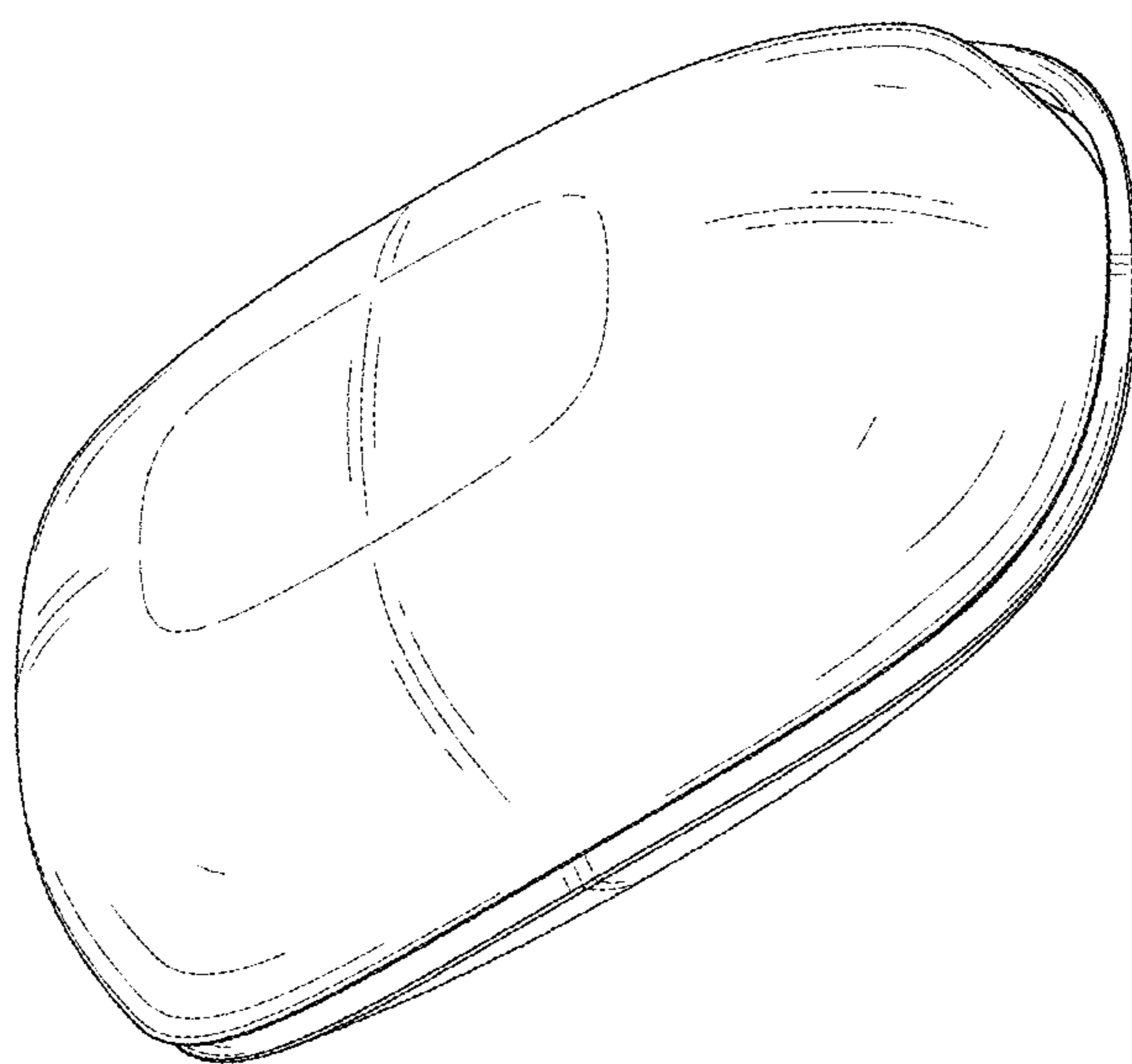


FIG. 2

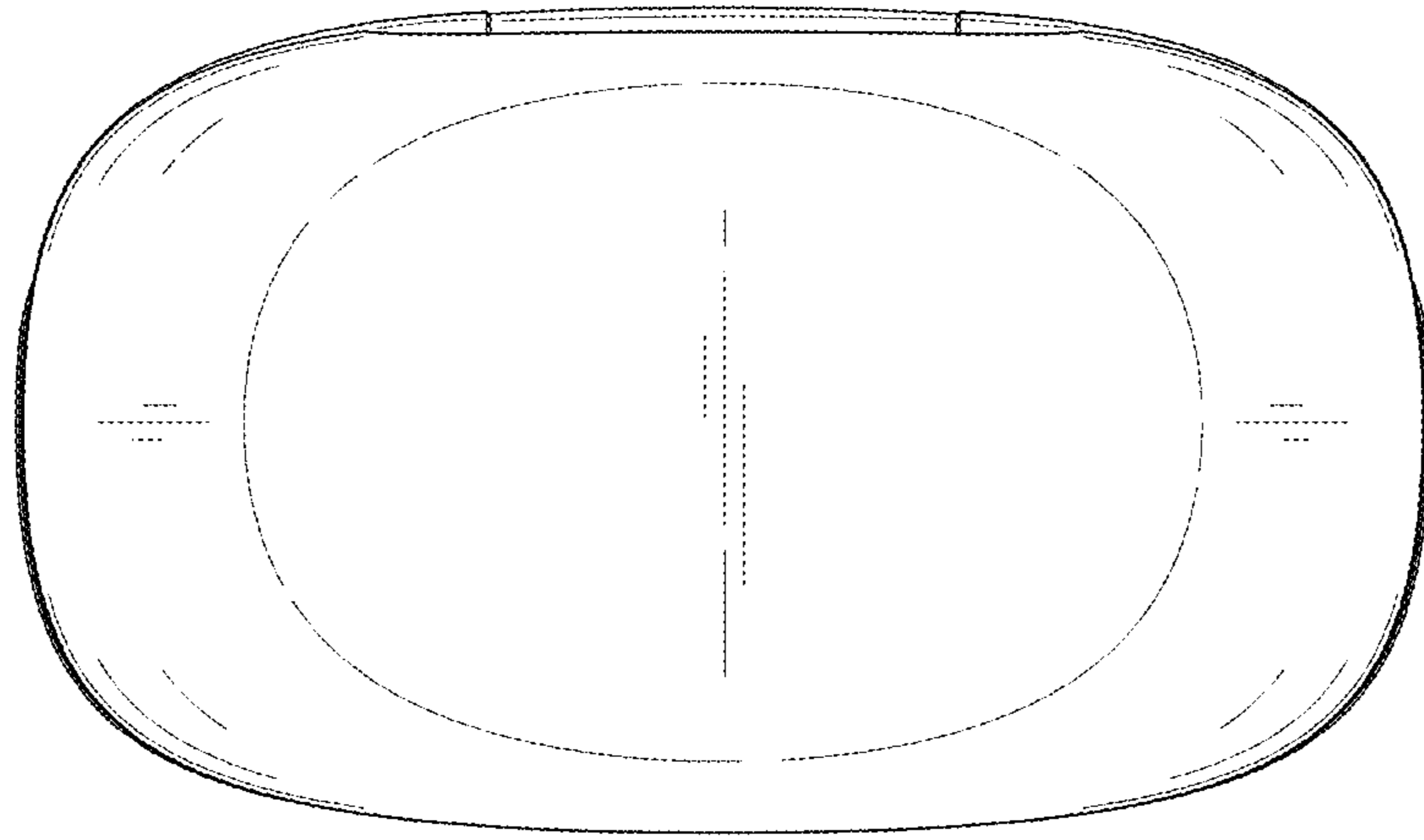


FIG. 3

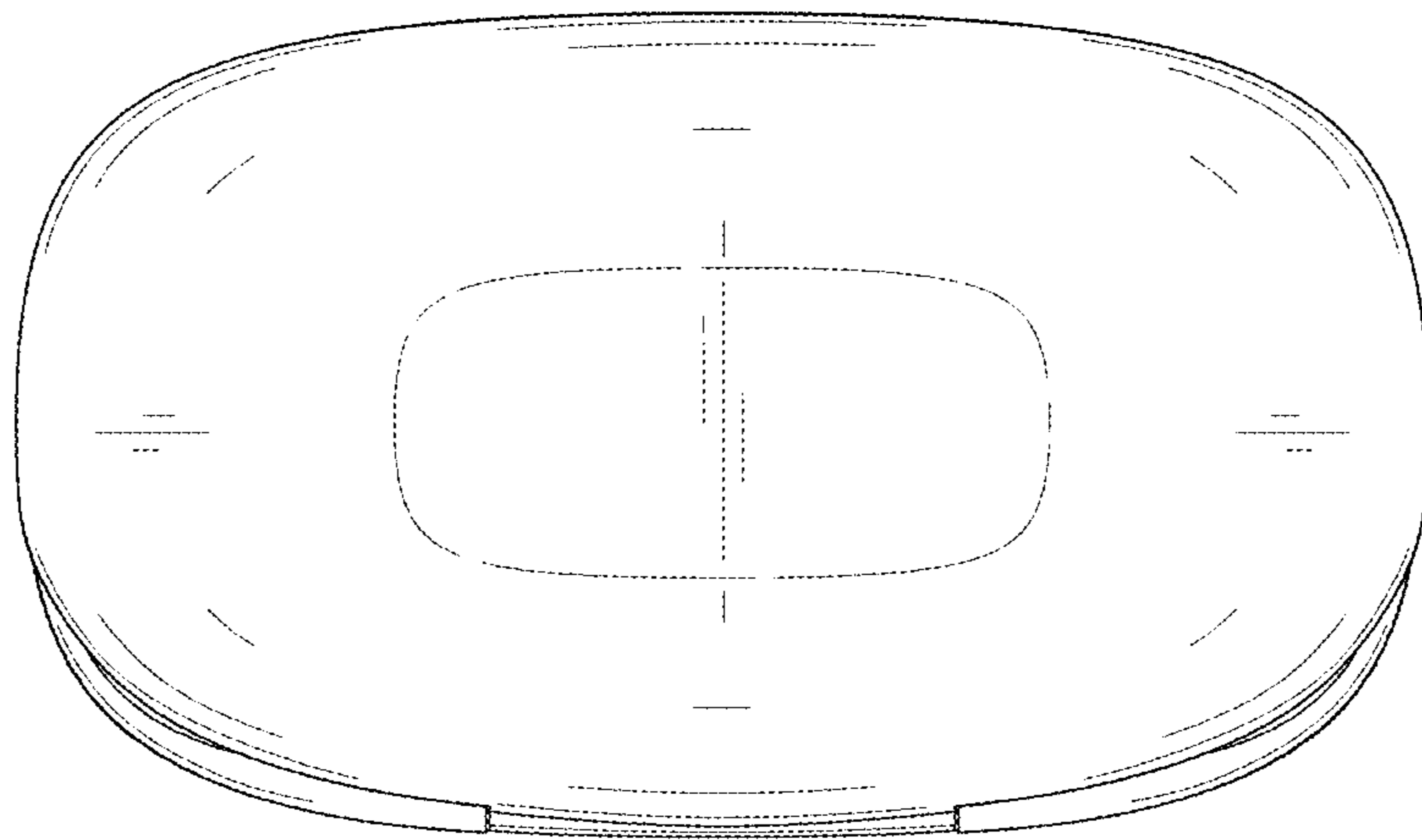


FIG. 4

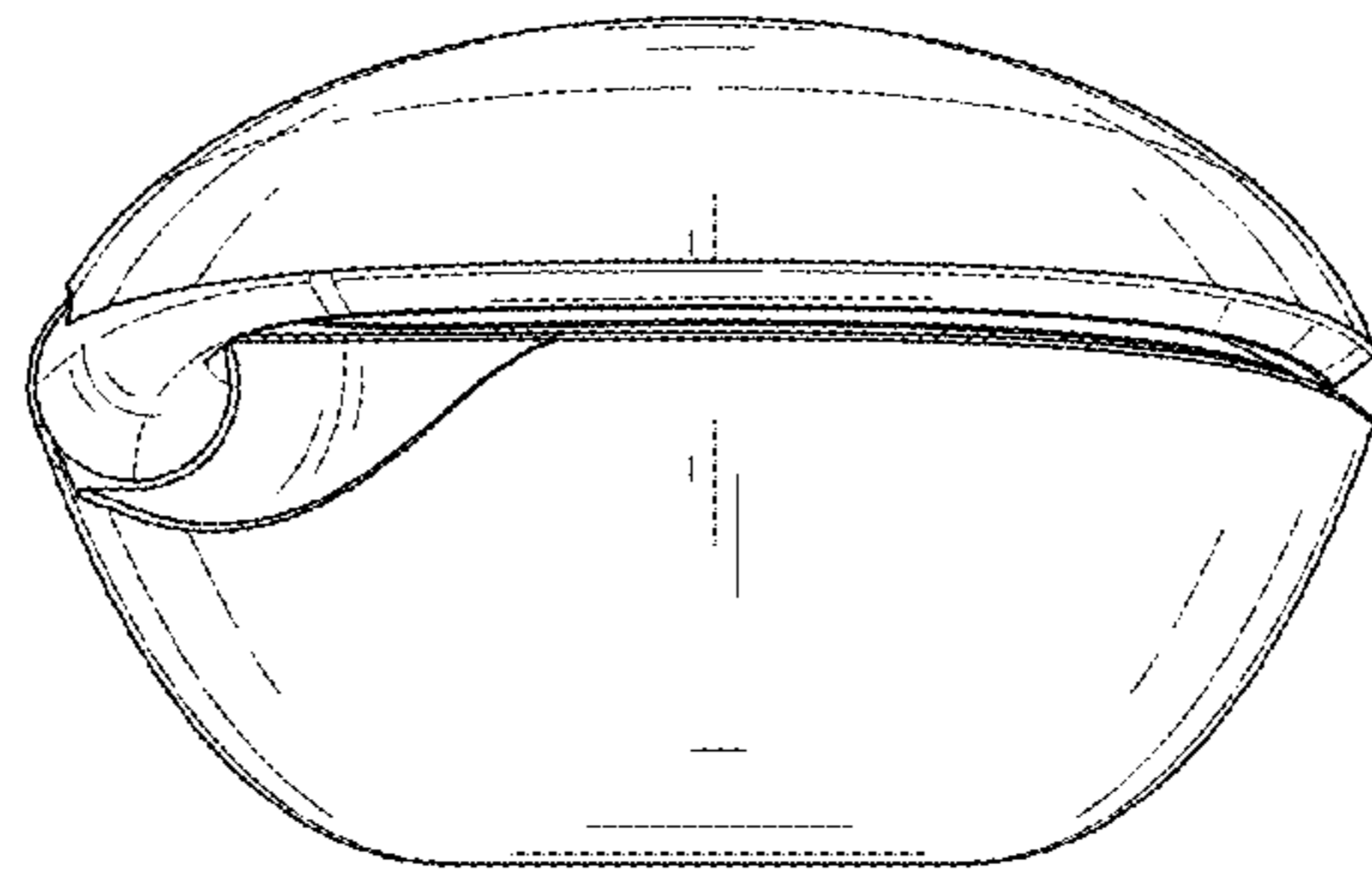


FIG. 5

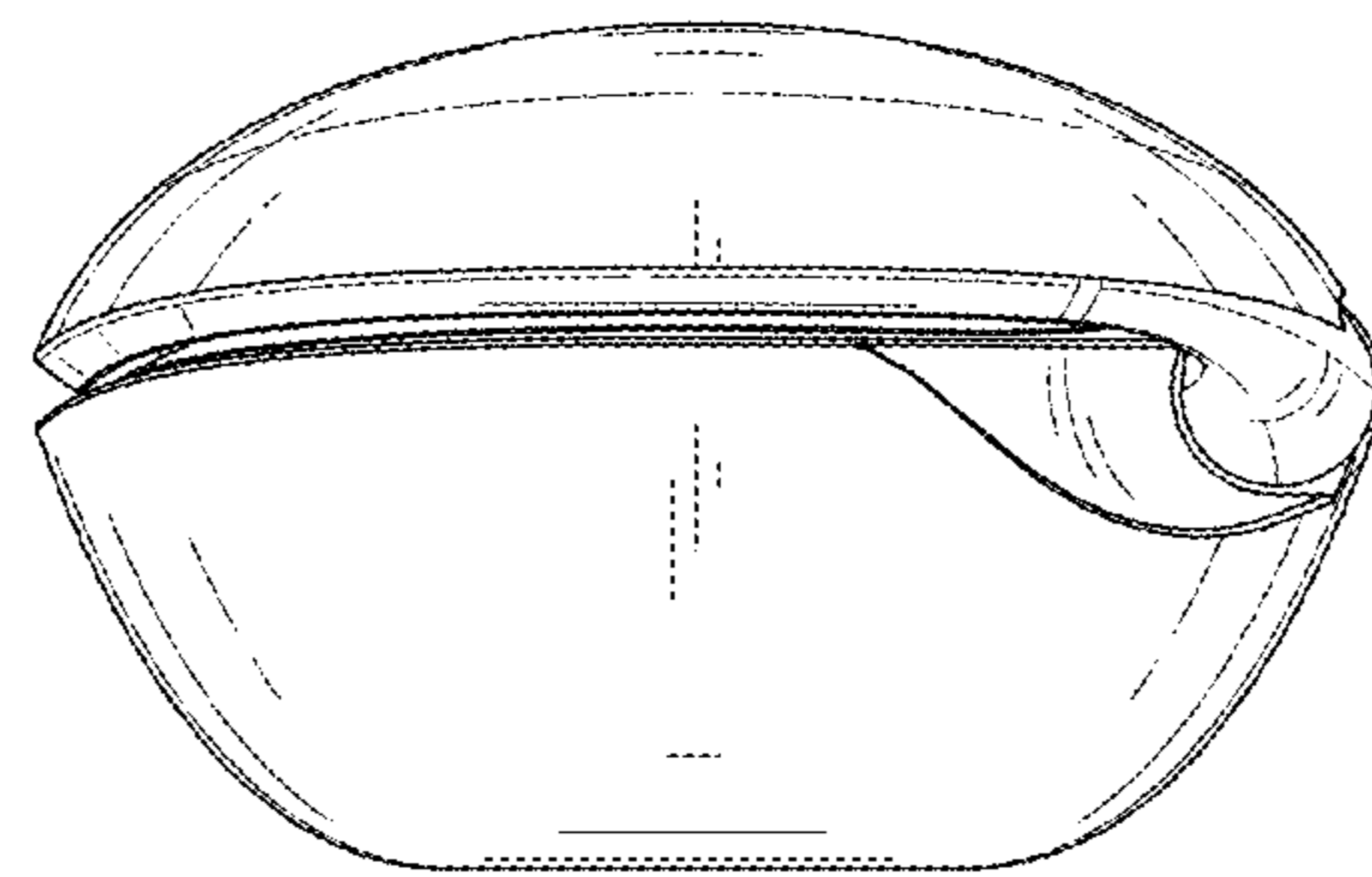


FIG. 6

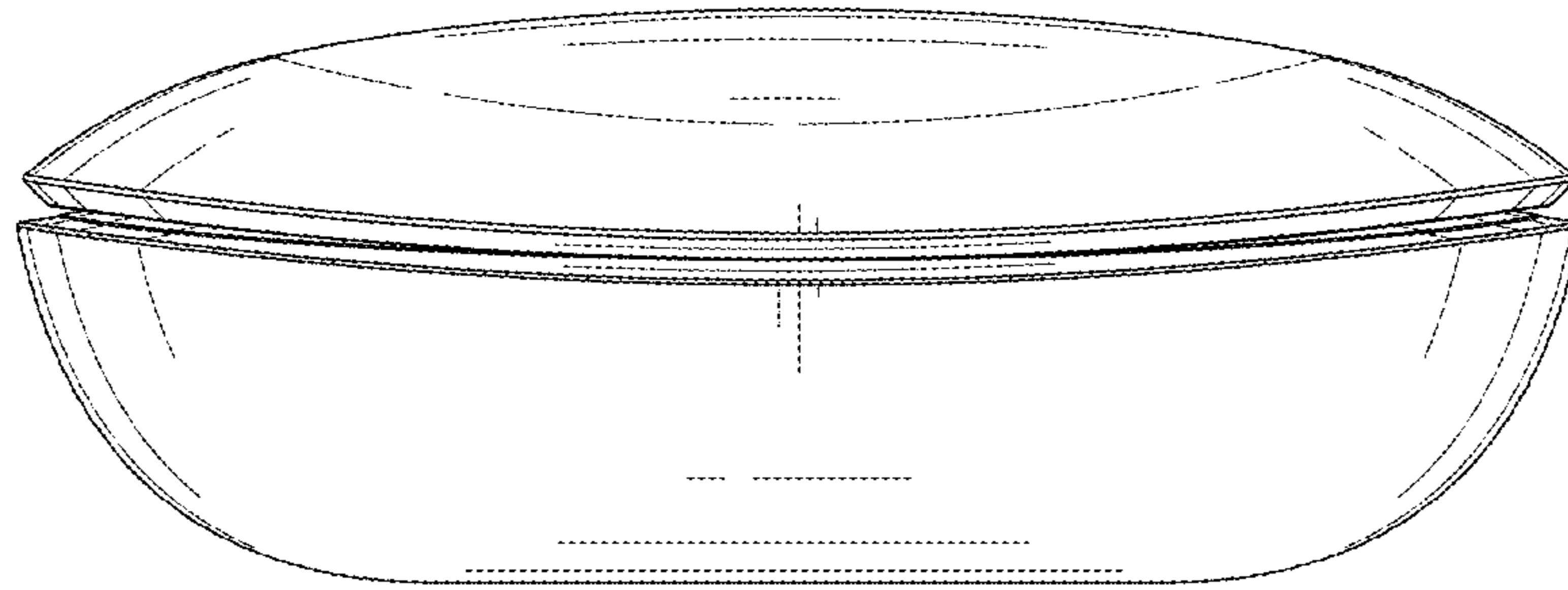


FIG. 7

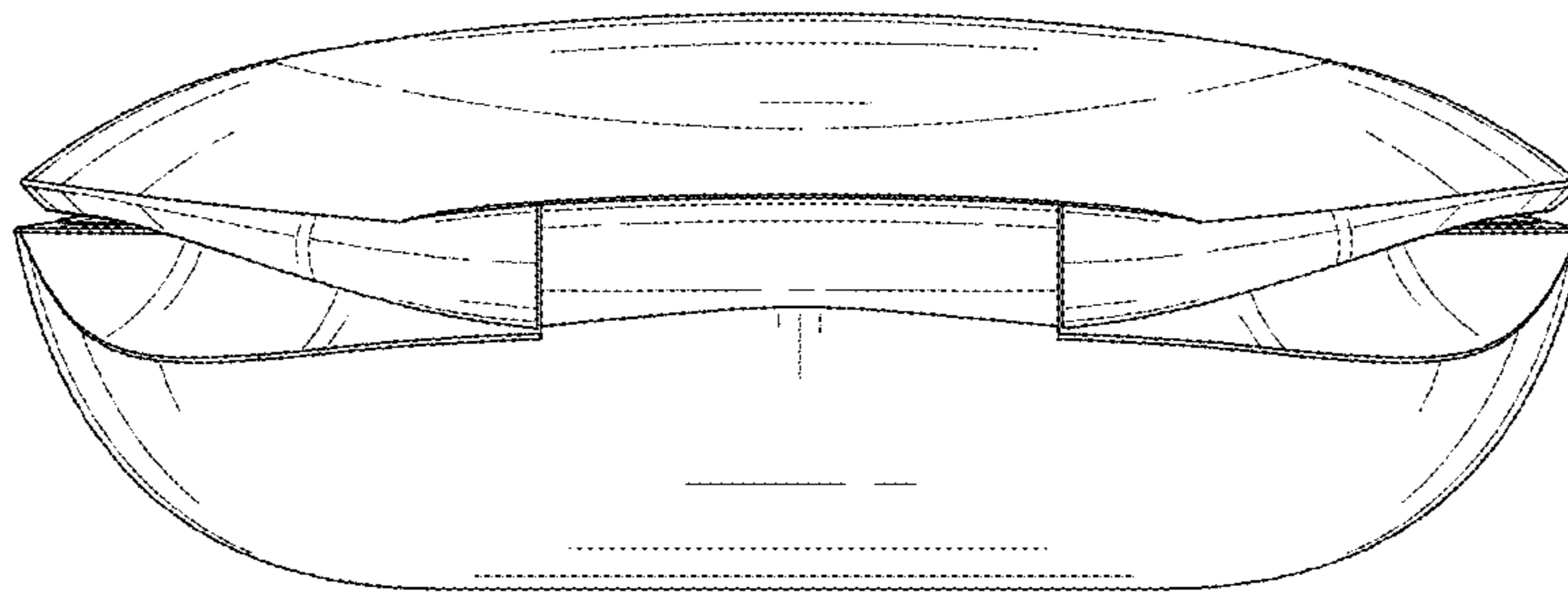


FIG. 8

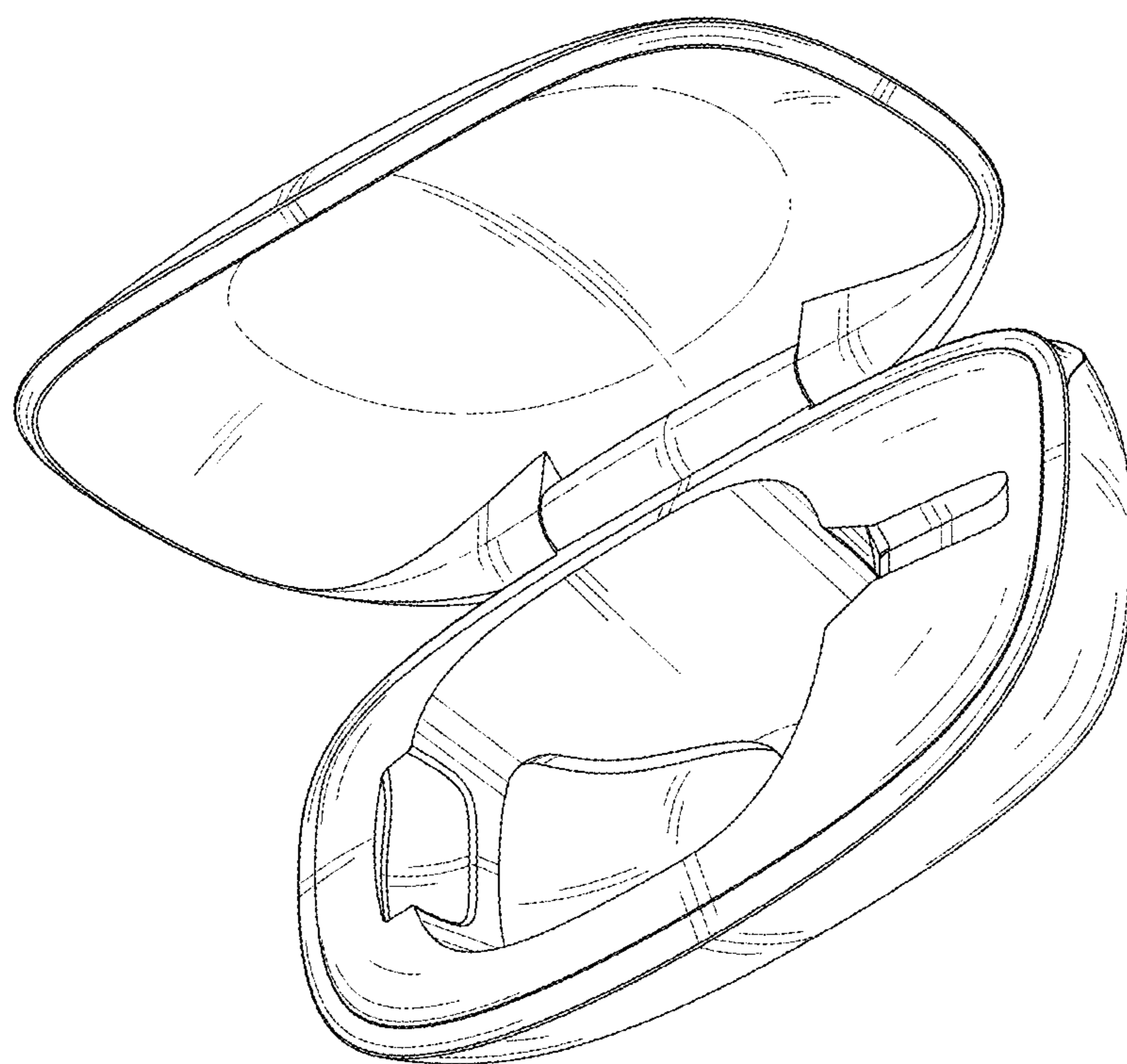


FIG. 9



FIG. 10

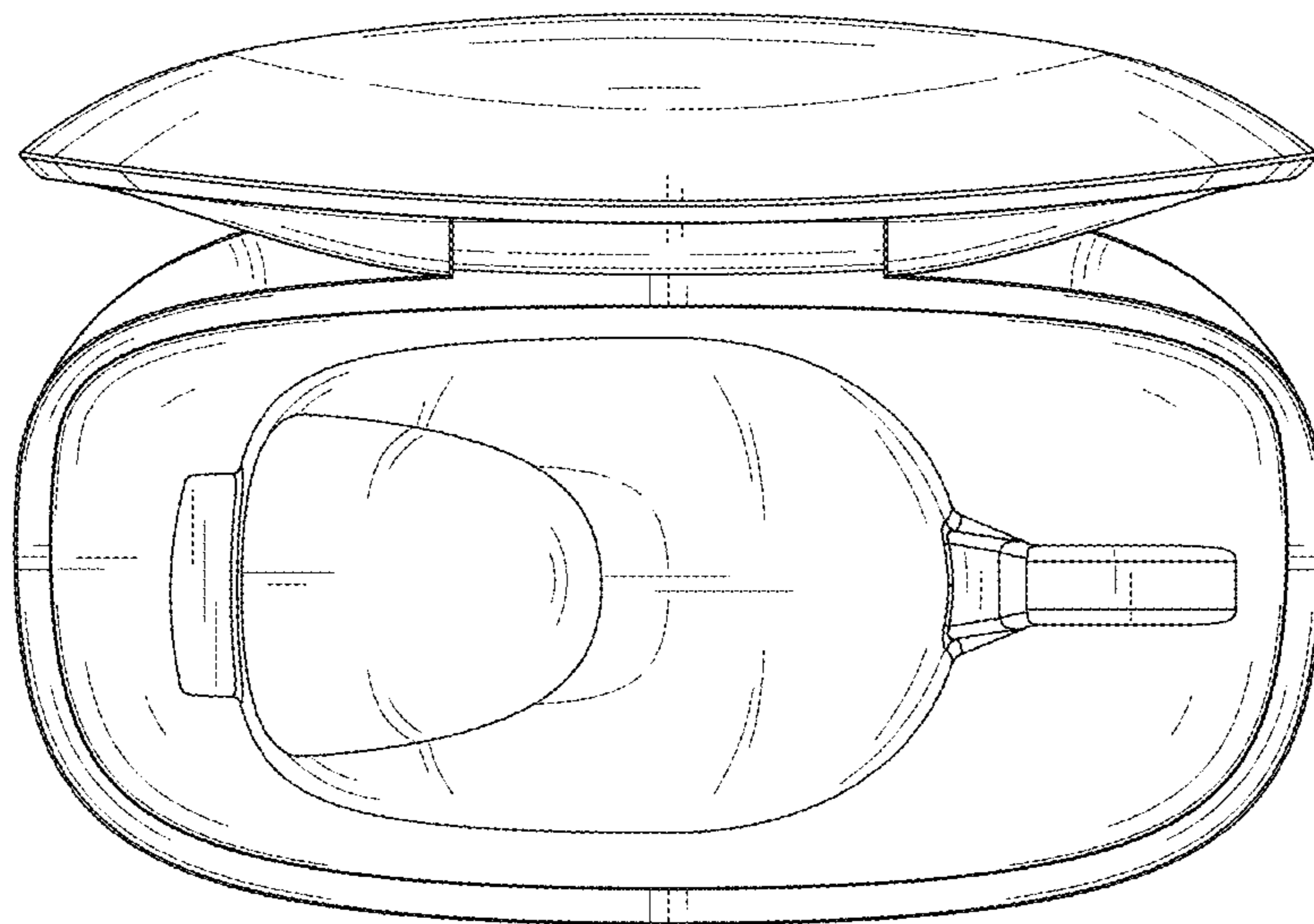


FIG. 11

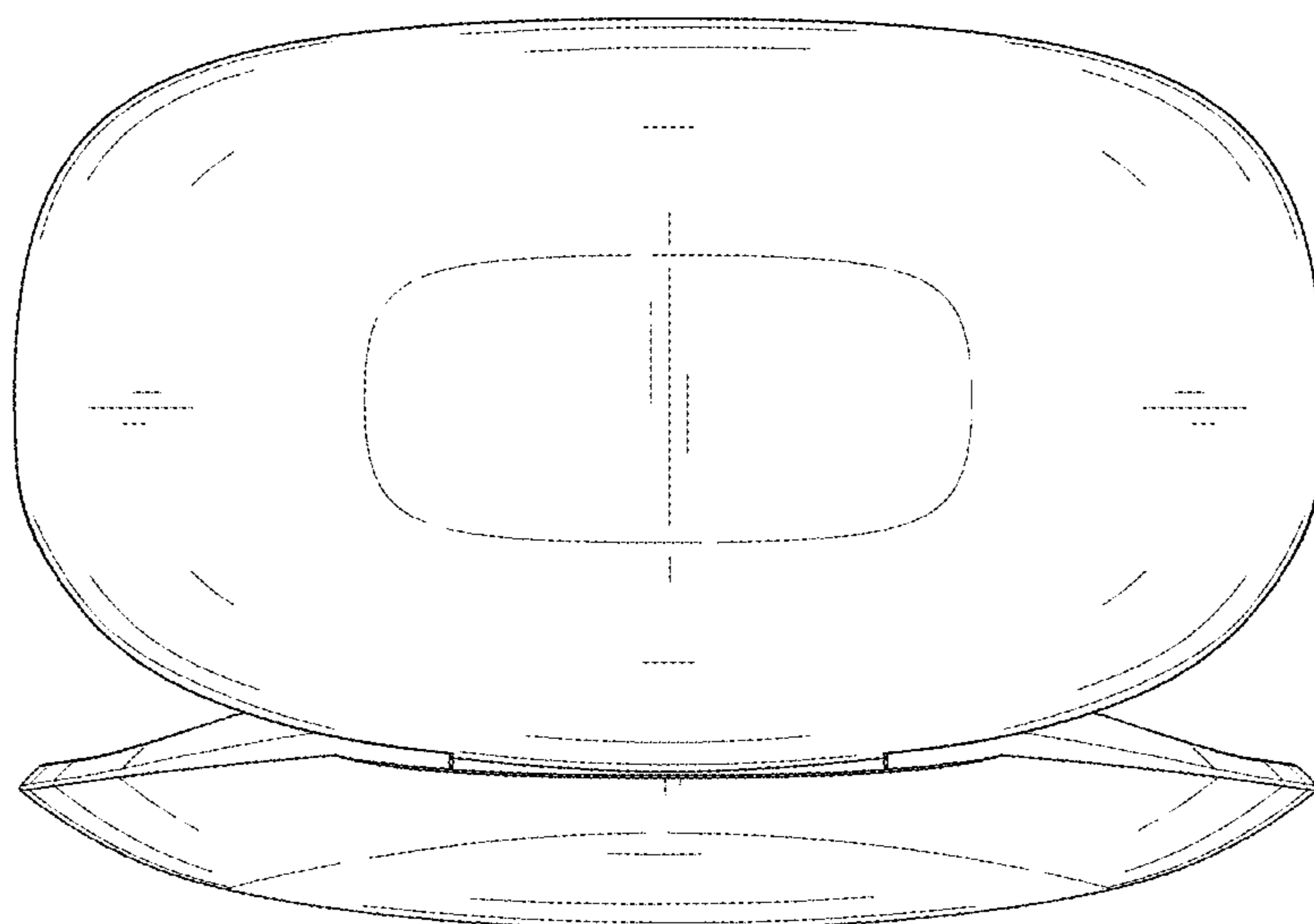


FIG. 12

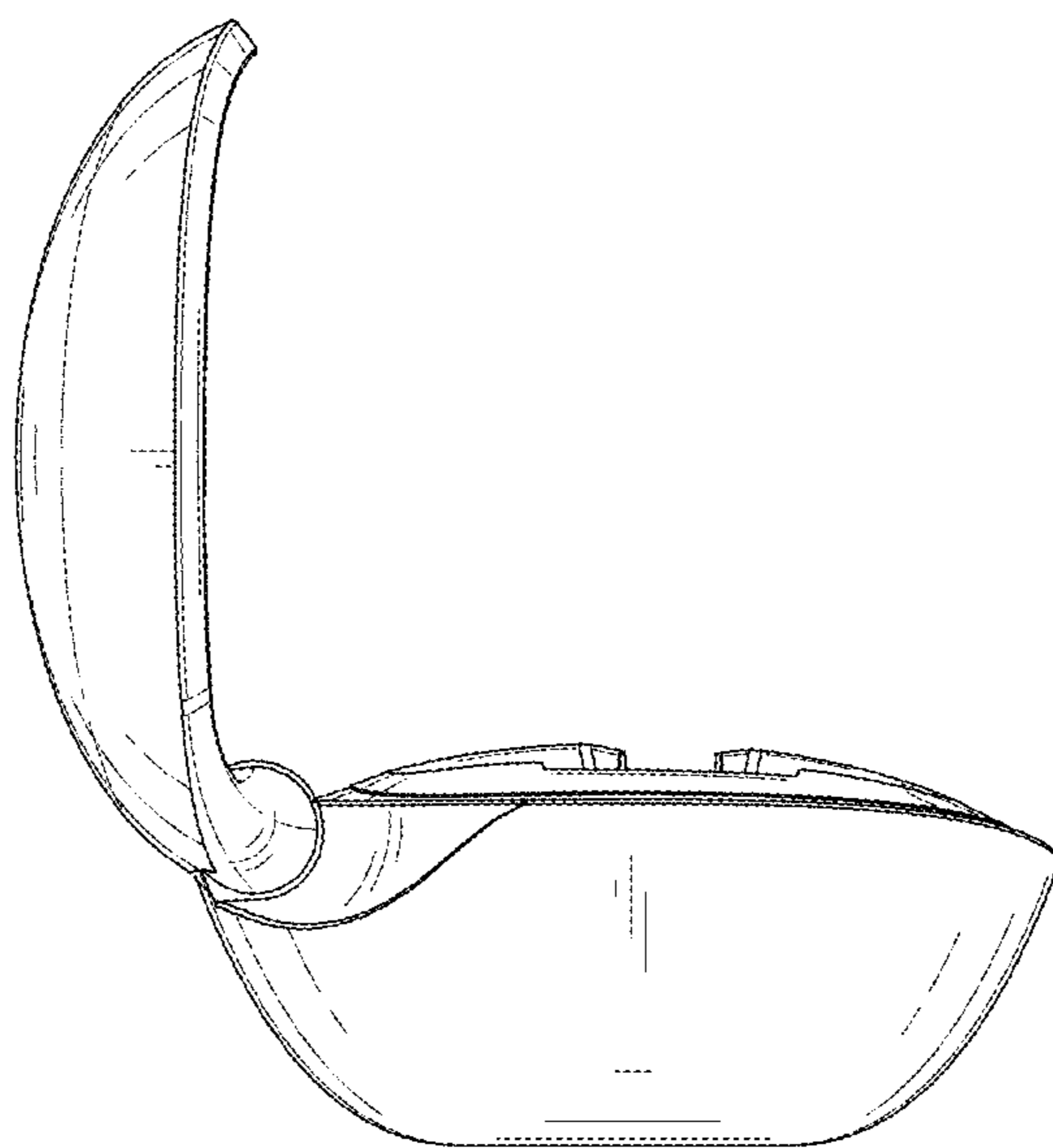


FIG. 13

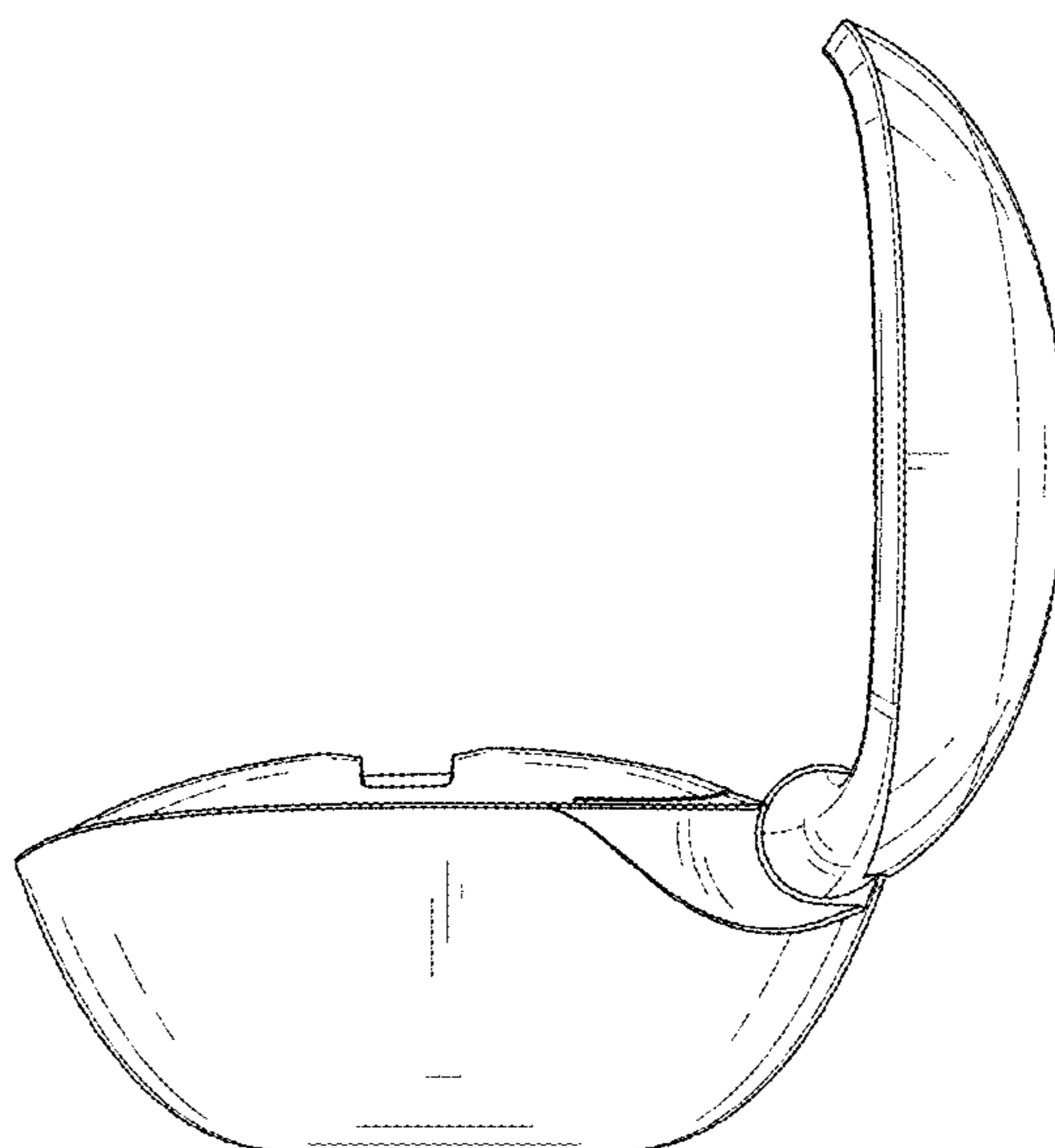


FIG. 14

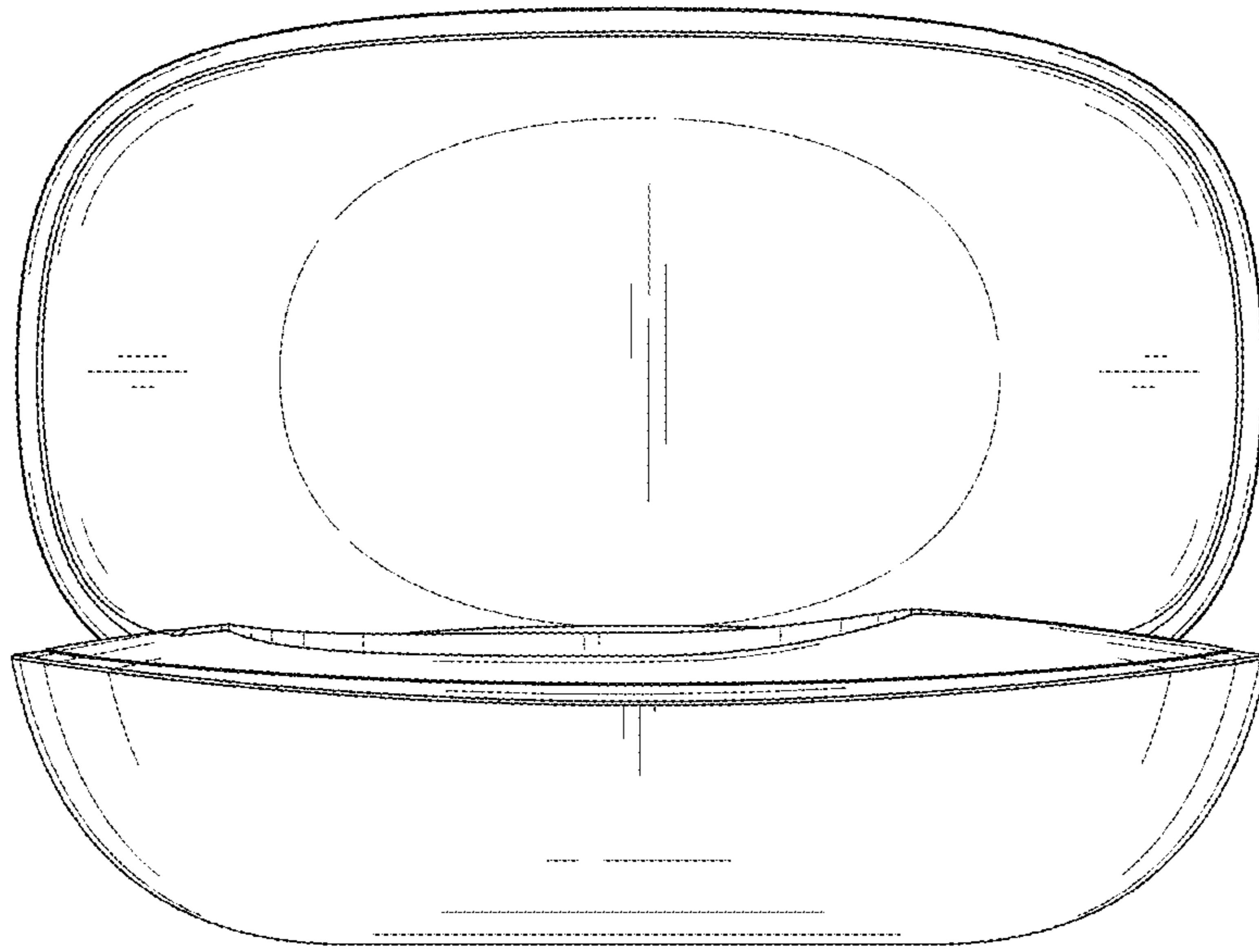


FIG. 15

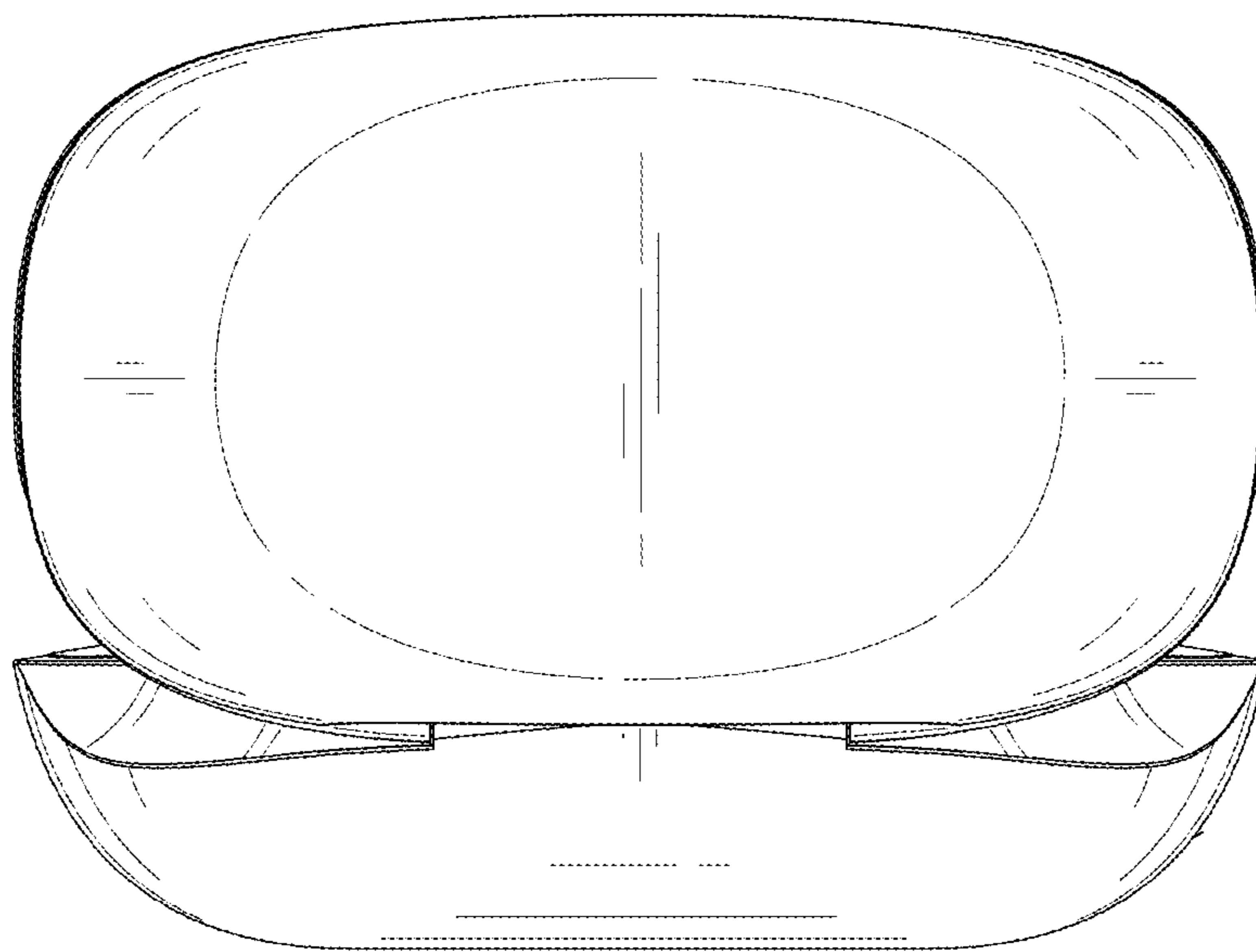


FIG. 16