



US00D738107S

(12) **United States Design Patent**  
**Adler et al.**

(10) **Patent No.:** **US D738,107 S**  
(45) **Date of Patent:** **\*\* Sep. 8, 2015**

(54) **BICYCLE STORAGE BAG**

- (71) Applicant: **Thule IP AB**, Malmo (SE)
- (72) Inventors: **Douglas Adler**, Sheung Wan (HK);  
**Oskar Juhlin**, Gustavsberg (SE);  
**Michael Noer**, Stillwater, MN (US)
- (73) Assignee: **Thule IP AB**, Malmö (SE)
- (\*\*) Term: **14 Years**
- (21) Appl. No.: **29/461,459**
- (22) Filed: **Jul. 23, 2013**
- (51) **LOC (10) Cl.** ..... **03-01**
- (52) **U.S. Cl.**  
USPC ..... **D3/289**; D3/290; D3/299; D3/301
- (58) **Field of Classification Search**  
USPC ..... D3/273, 276, 282, 283, 285, 287, 284,  
D3/289, 290, 299, 301, 900, 902, 295, 225,  
D3/215, 254, 904, 231; 224/218, 412, 419,  
224/427, 420, 430; 150/100–126;  
190/100–127, 903; D12/407, 400, 409  
CPC ..... B62J 9/003; B62J 9/00; B62J 9/006;  
A45C 2003/007; A45C 3/00; A45C 3/001;  
A45C 2003/002; A45C 13/02; A45C 3/02;  
A45C 5/03  
See application file for complete search history.

(56) **References Cited**

U.S. PATENT DOCUMENTS

3,955,730	A *	5/1976	Montgomery	.....	224/438
4,598,846	A *	7/1986	Schroeder	.....	224/439
4,629,040	A *	12/1986	Jones	.....	190/102
5,061,086	A *	10/1991	Vallerga	.....	383/16
D336,878	S *	6/1993	Graf	.....	D12/409
D346,489	S *	5/1994	Bean et al.	.....	D7/709
6,353,215	B1 *	3/2002	Revels et al.	.....	219/770
6,491,074	B1 *	12/2002	Roegner	.....	150/112
D473,051	S *	4/2003	Hassett	.....	D3/267
D477,713	S *	7/2003	Murdoch et al.	.....	D3/267

(Continued)

*Primary Examiner* — Jennifer Rivard  
*Assistant Examiner* — April Rivas

(74) *Attorney, Agent, or Firm* — Sheridan Ross P.C.

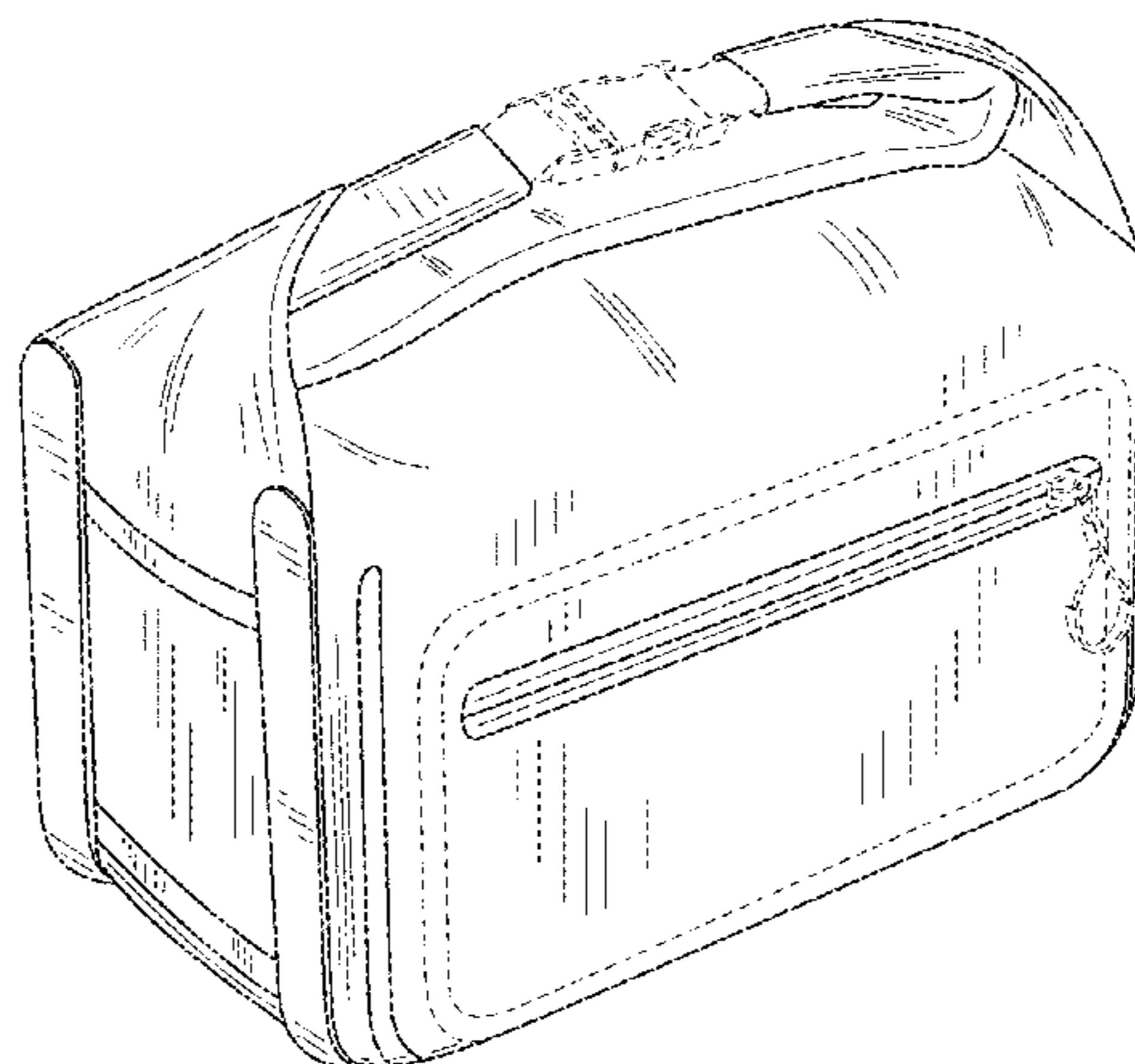
(57) **CLAIM**

The ornamental design for a bicycle storage bag, as shown and described.

**DESCRIPTION**

FIG. 1 is a front perspective view of the bicycle storage bag in a closed position;  
 FIG. 2 is a front elevation view thereof;  
 FIG. 3 is a rear elevation view thereof;  
 FIG. 4 is a right elevation view thereof;  
 FIG. 5 is a left elevation view thereof;  
 FIG. 6 is a top plan view thereof;  
 FIG. 7 is a bottom plan view thereof;  
 FIG. 8 is a rear elevation view of the bicycle storage bag of FIG. 1 in an open position;  
 FIG. 9 is a front perspective view of the bicycle storage bag according to an alternative embodiment in a closed position;  
 FIG. 10 is a front elevation view of the embodiment of FIG. 9;  
 FIG. 11 is a rear elevation view of the embodiment of FIG. 9;  
 FIG. 12 is a right elevation view of the embodiment of FIG. 9;  
 FIG. 13 is a left elevation view of the embodiment of FIG. 9;  
 FIG. 14 is a top plan view of the embodiment of FIG. 9;  
 FIG. 15 is a bottom plan view of the embodiment of FIG. 9;  
 FIG. 16 is a rear elevation view of the embodiment of FIG. 9 in an open position;  
 FIG. 17 is a front perspective view of the bicycle storage bag according to a third embodiment in a closed position;  
 FIG. 18 is a front elevation view of the embodiment of FIG. 17;  
 FIG. 19 is a rear elevation view of the embodiment of FIG. 17;  
 FIG. 20 is a right elevation view of the embodiment of FIG. 17;  
 FIG. 21 is a left elevation view of the embodiment of FIG. 17;  
 FIG. 22 is a top plan view of the embodiment of FIG. 17;  
 FIG. 23 is a bottom plan view of the embodiment of FIG. 17;  
 and,  
 FIG. 24 is a rear elevation view of the embodiment of FIG. 17 in an open position.  
 The broken lines illustrate portions of the bicycle storage bag and form no part of the claimed design.

**1 Claim, 15 Drawing Sheets**



(56)

**References Cited**

U.S. PATENT DOCUMENTS

D482,865 S \* 12/2003 Fair ..... D3/267  
D490,242 S \* 5/2004 Hassett ..... D3/267  
D672,556 S \* 12/2012 Scarabelli ..... D3/289  
D716,551 S \* 11/2014 Taylor ..... D3/299  
D722,435 S \* 2/2015 Manlove ..... D3/301

2005/0121121 A1\* 6/2005 Wang ..... 150/117  
2009/0250362 A1\* 10/2009 Melmon et al. .... 206/316.2  
2010/0122994 A1\* 5/2010 Chuang ..... 224/420  
2011/0062199 A1\* 3/2011 Liu ..... 224/420  
2013/0207423 A1\* 8/2013 Russell et al. .... 297/188.2  
2014/0248003 A1\* 9/2014 Mogil et al. .... 383/3

\* cited by examiner

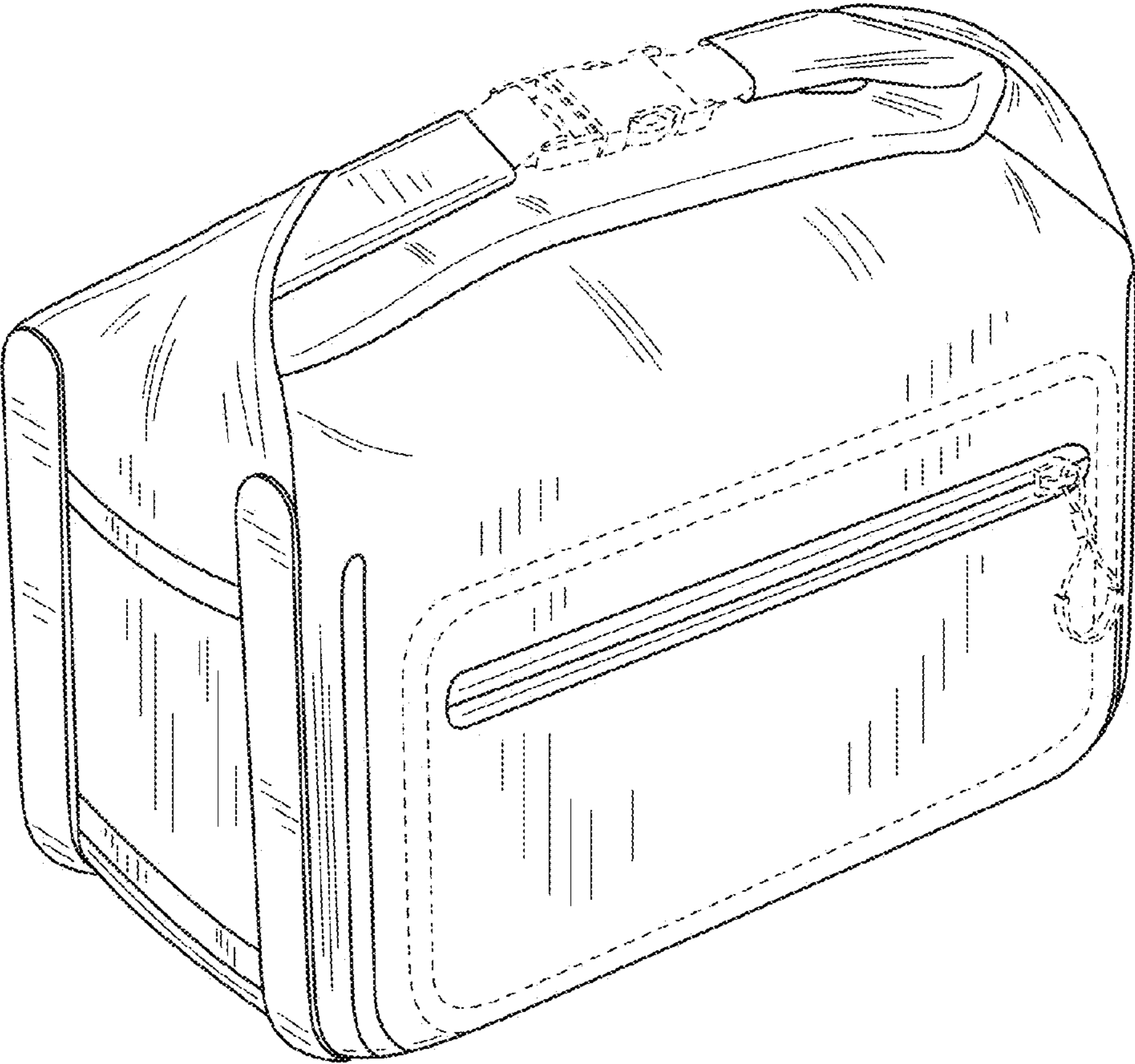


FIG. 1

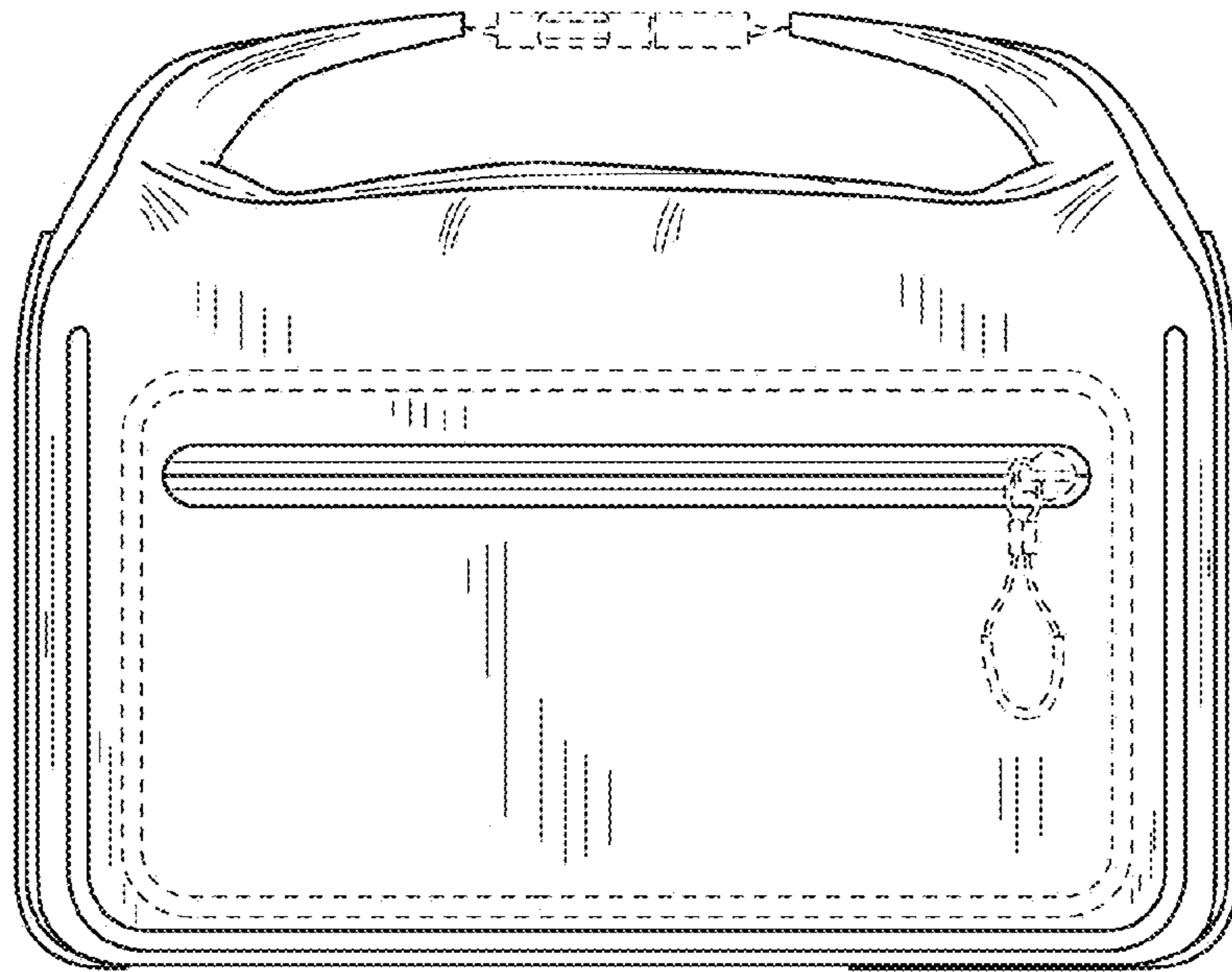


FIG. 2

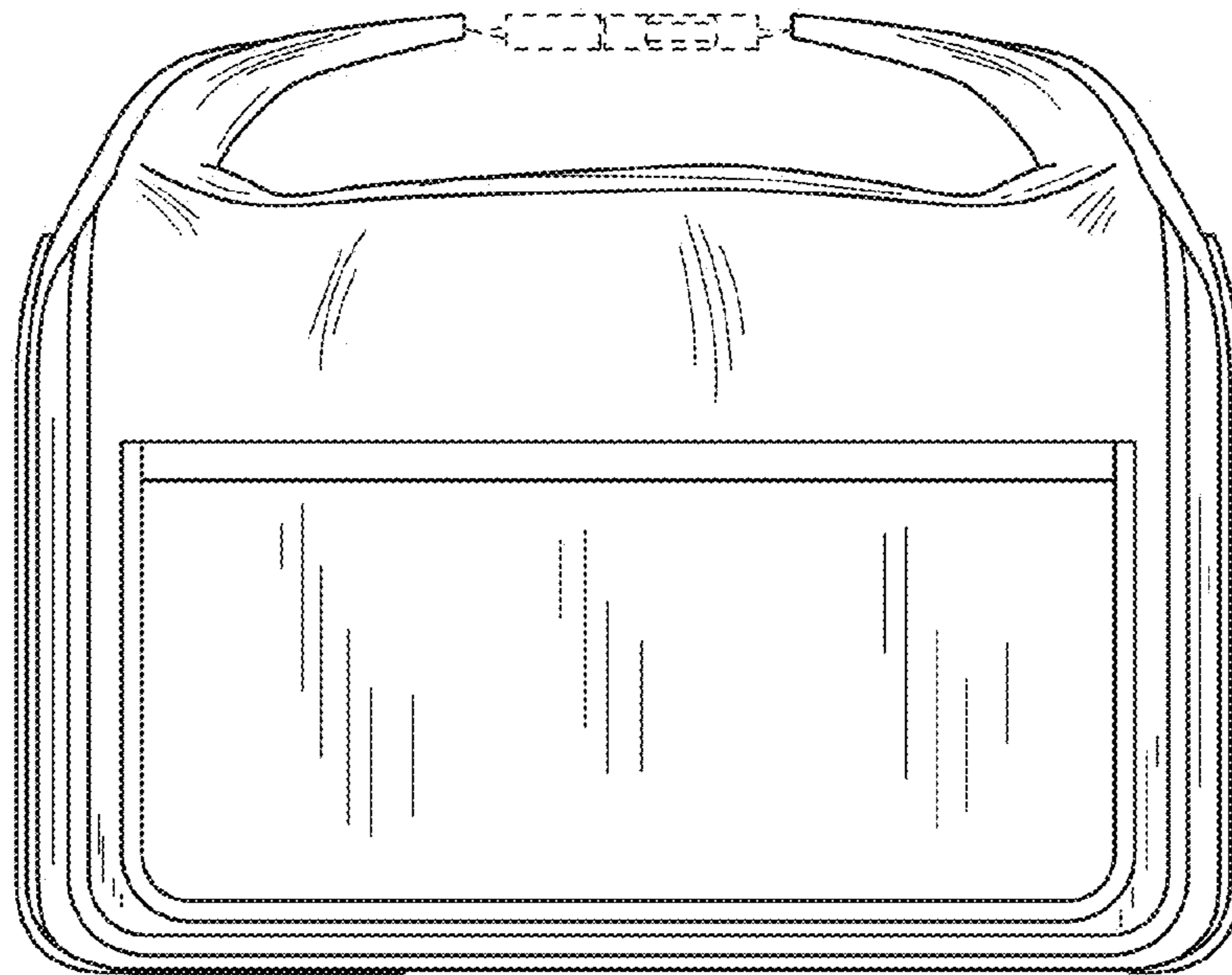


FIG. 3

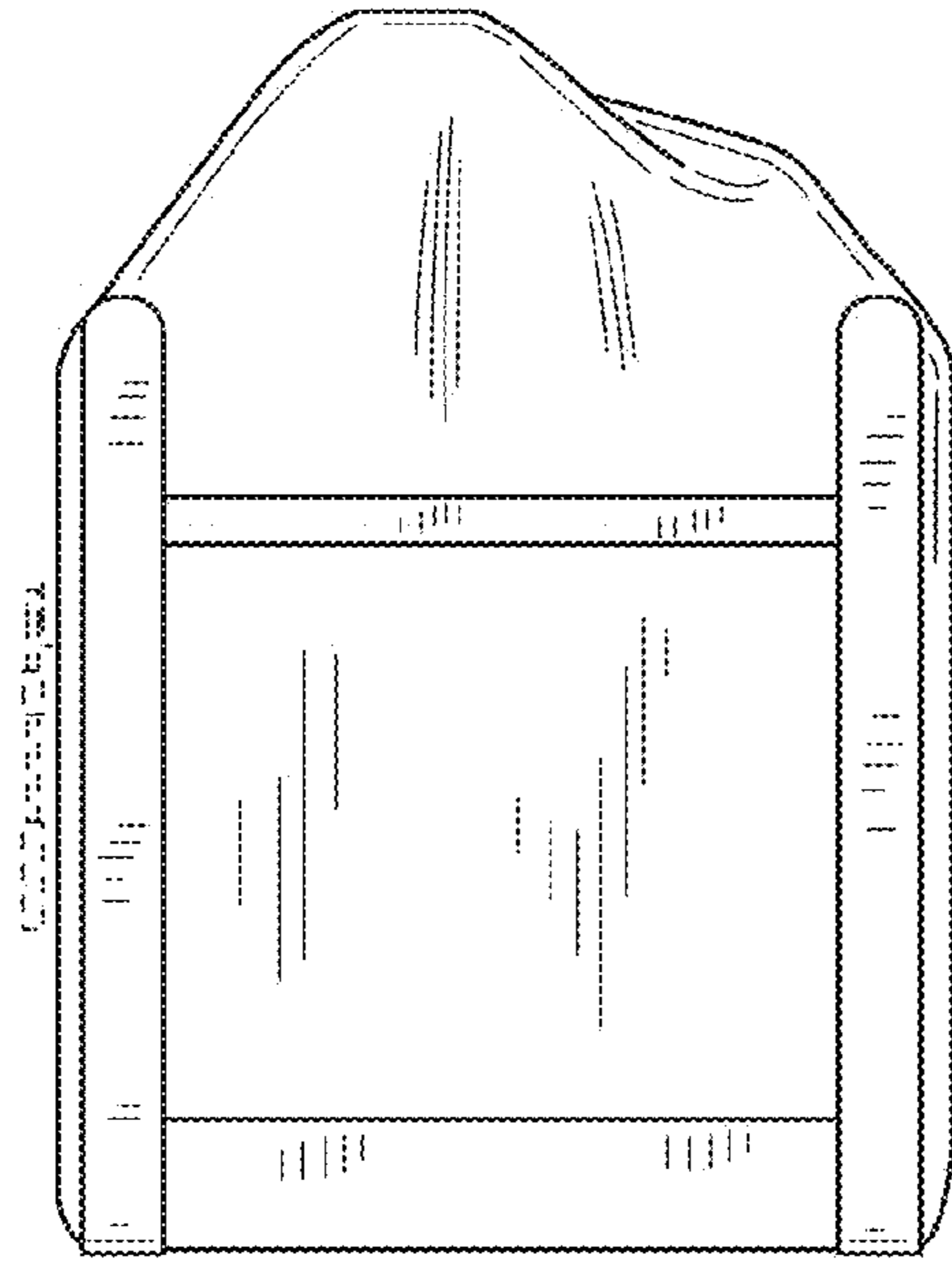


FIG. 4

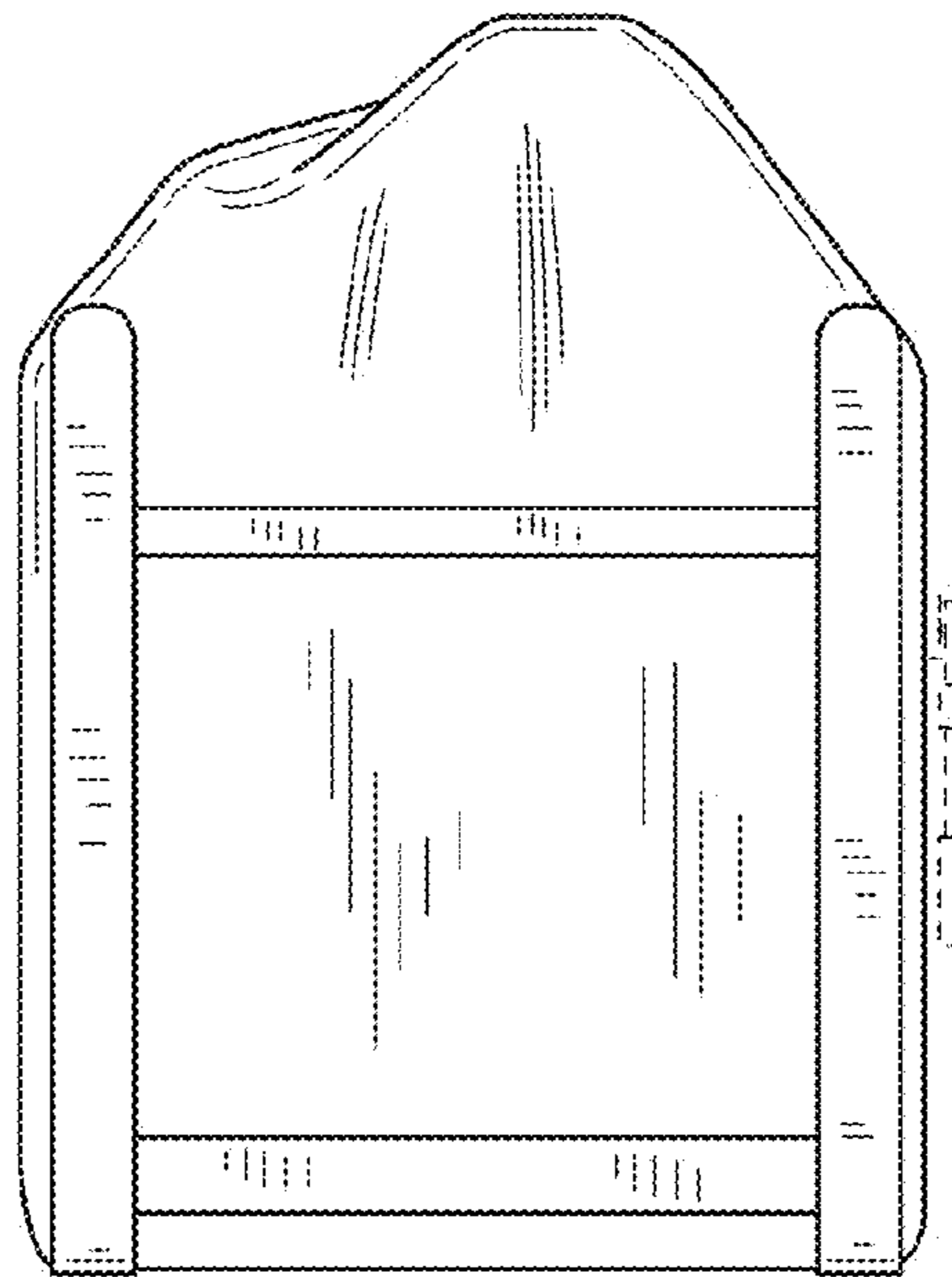


FIG. 5

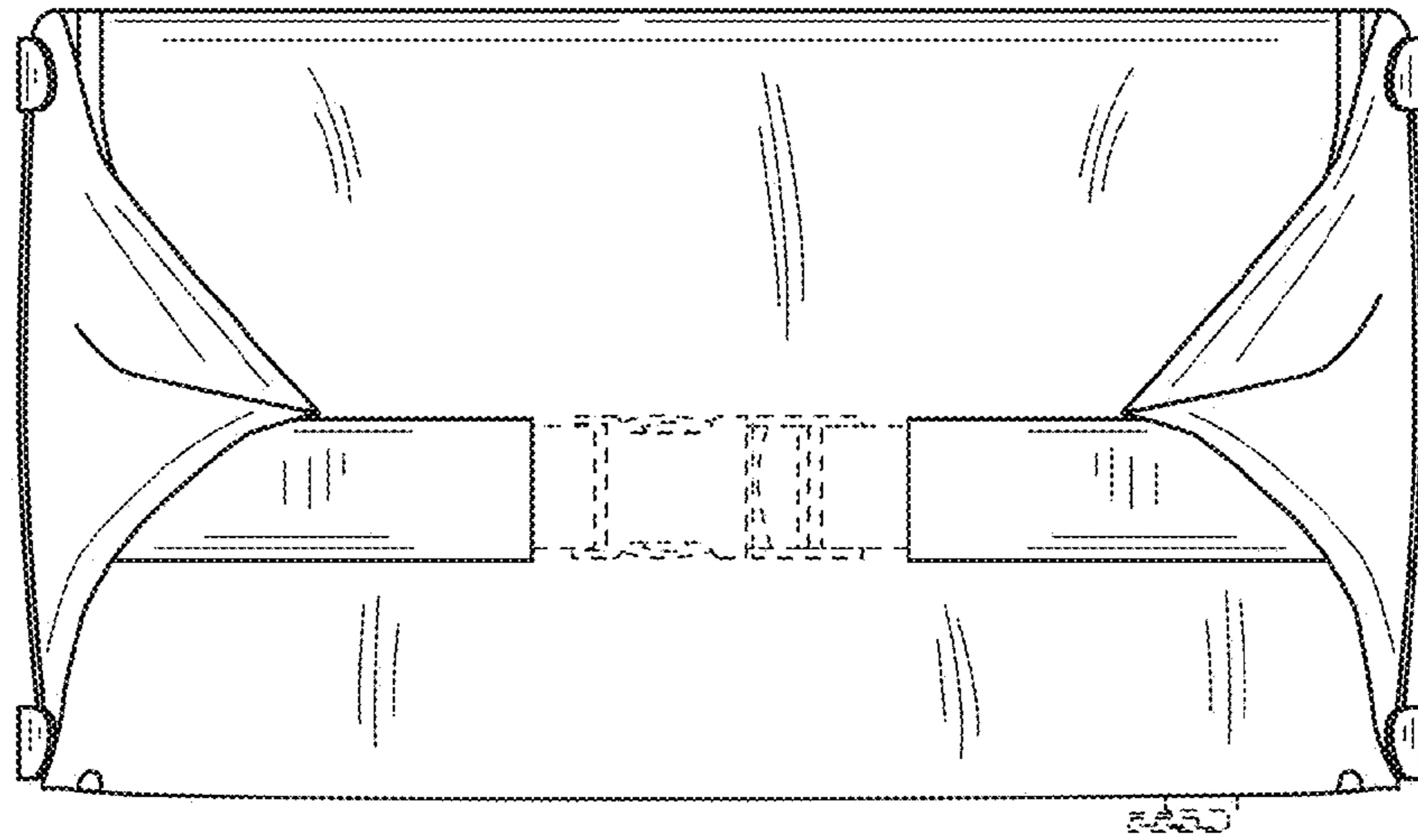


FIG. 6

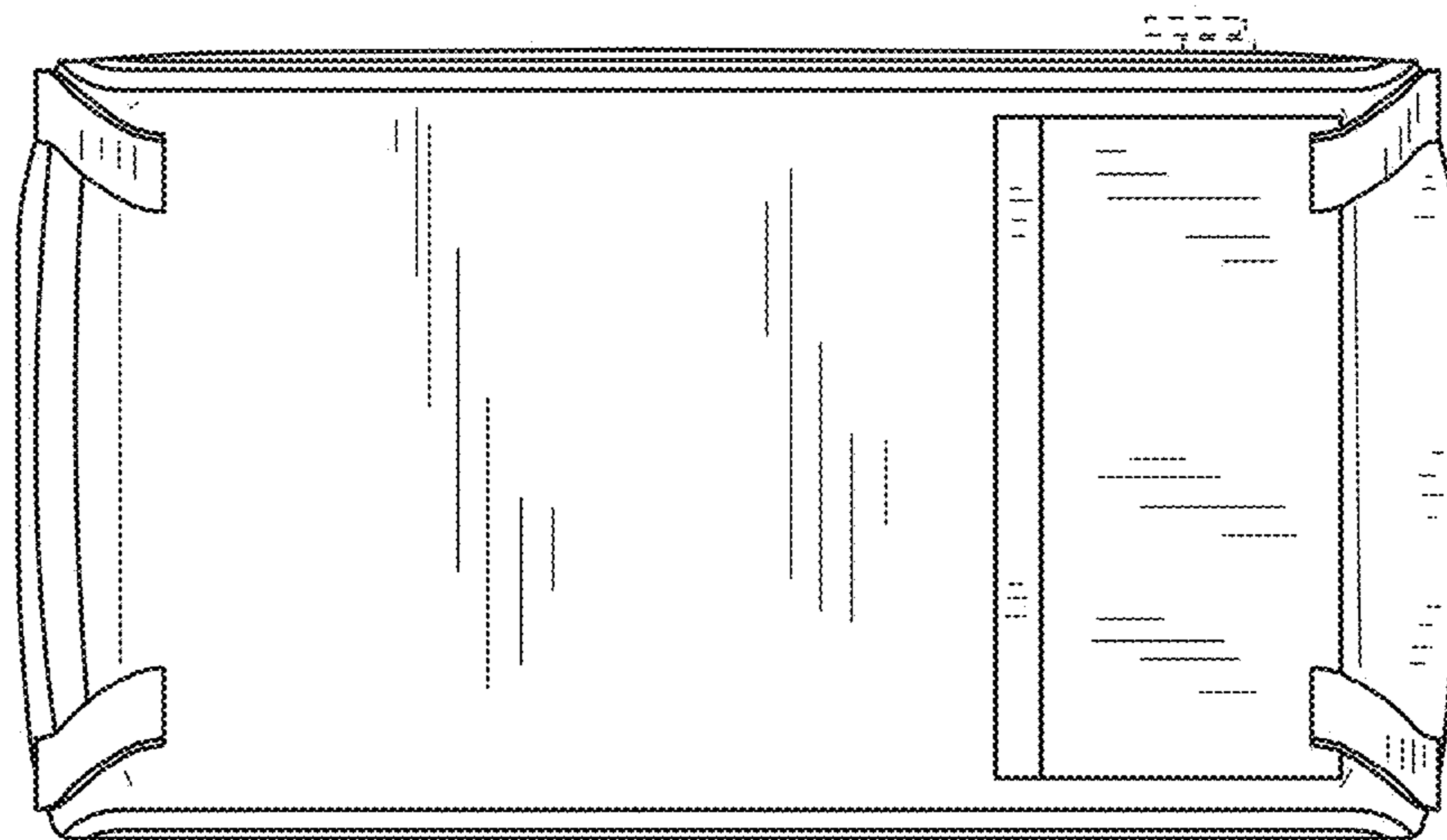


FIG. 7

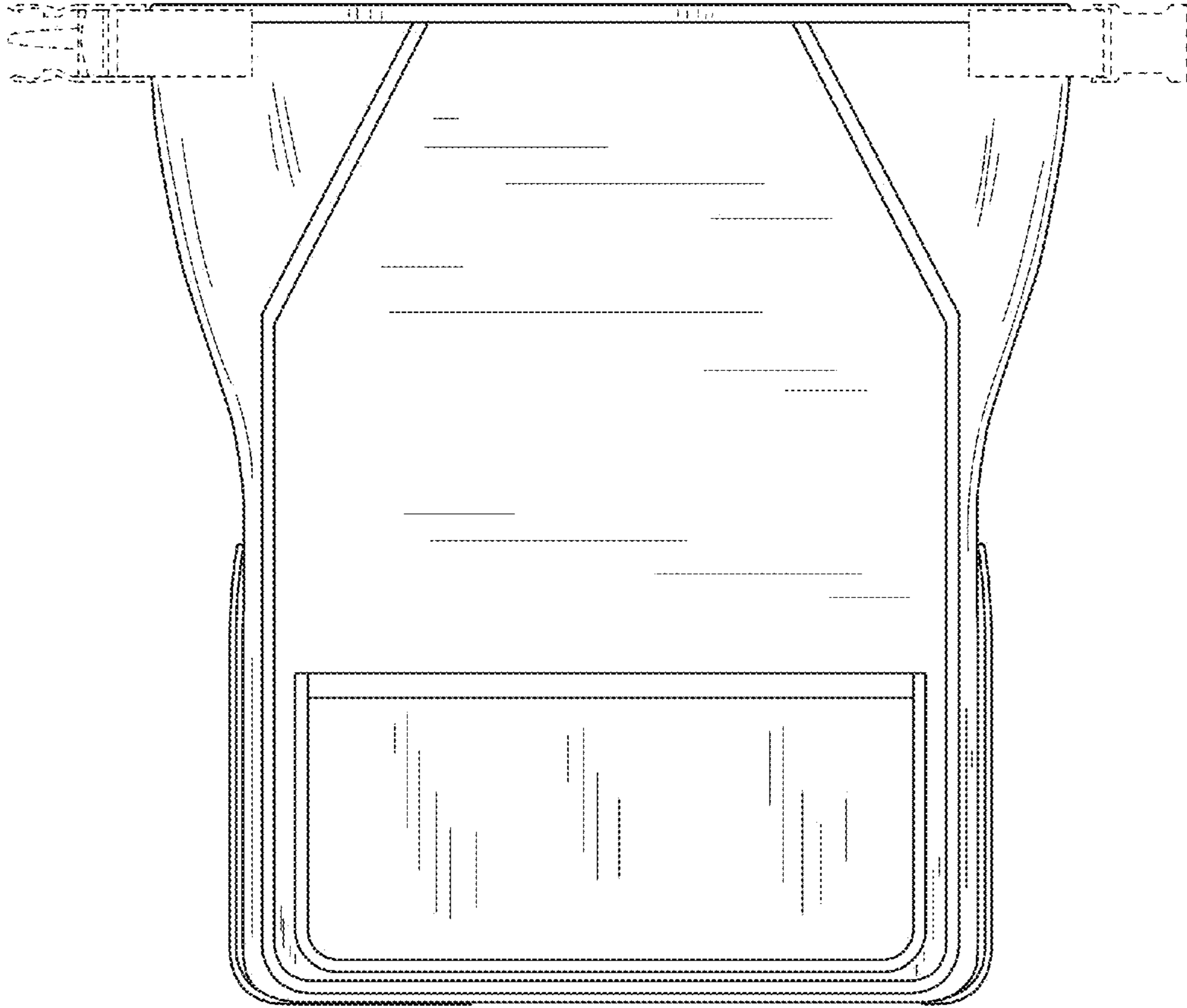


FIG.8

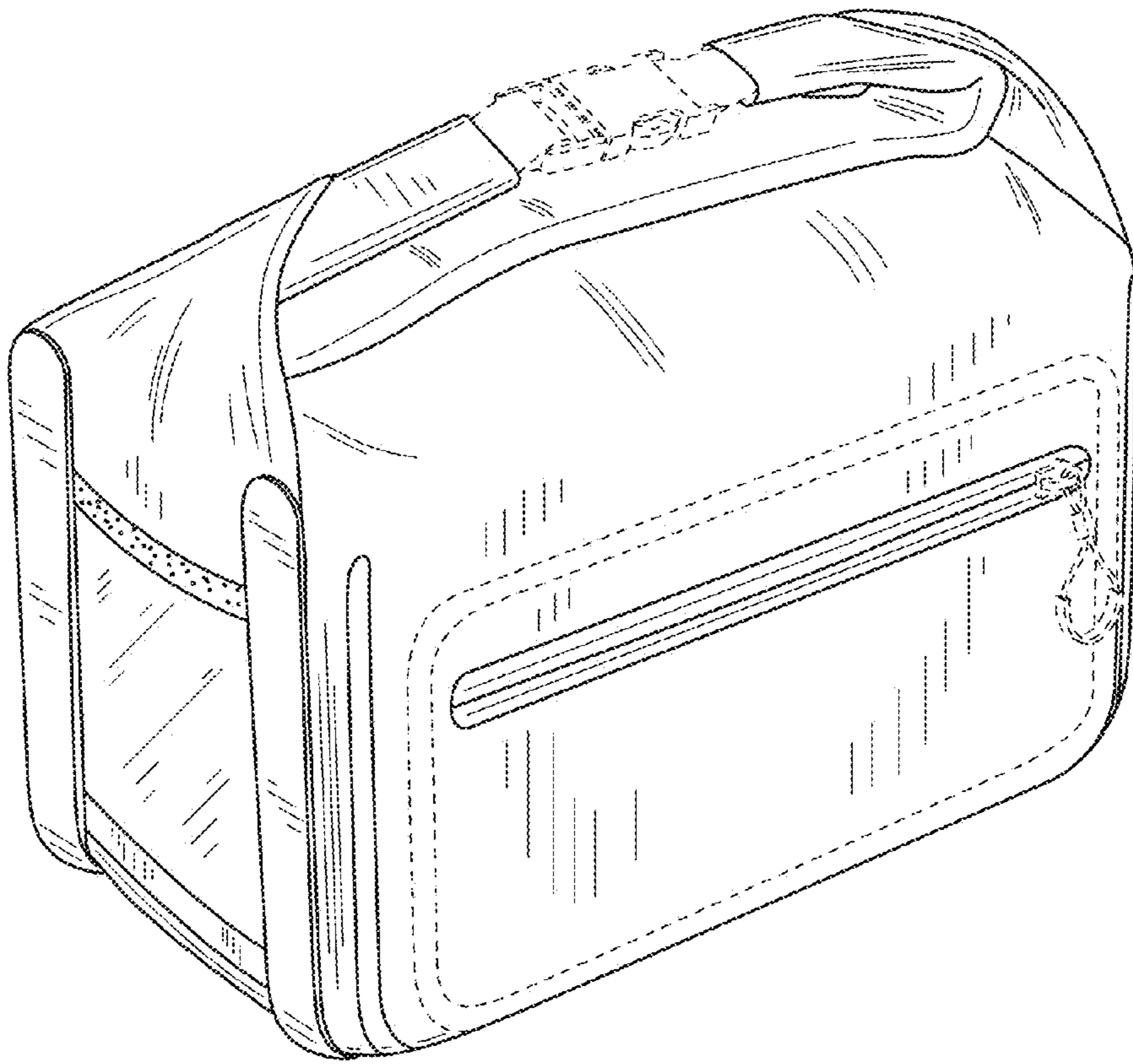


FIG.9



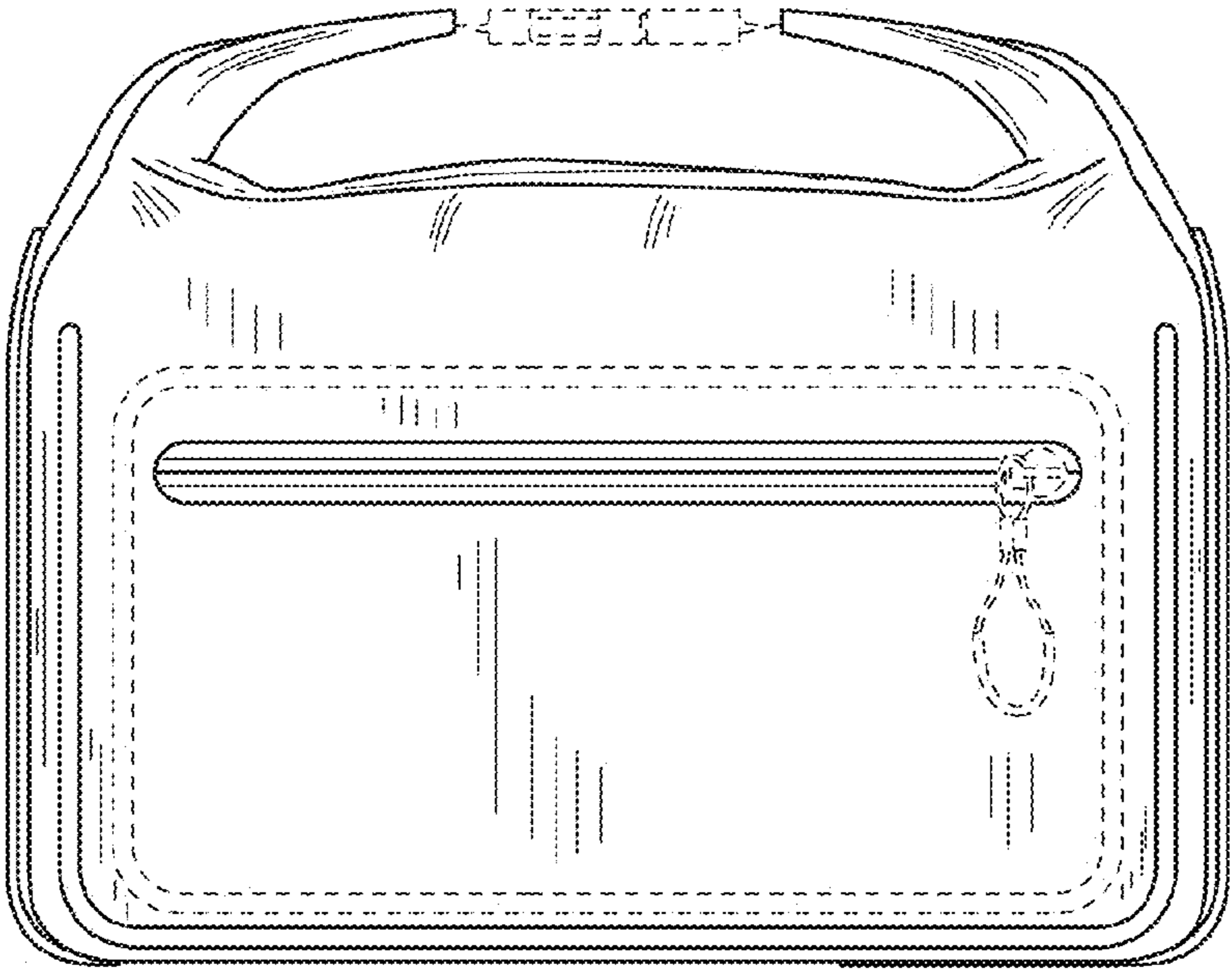


FIG. 10

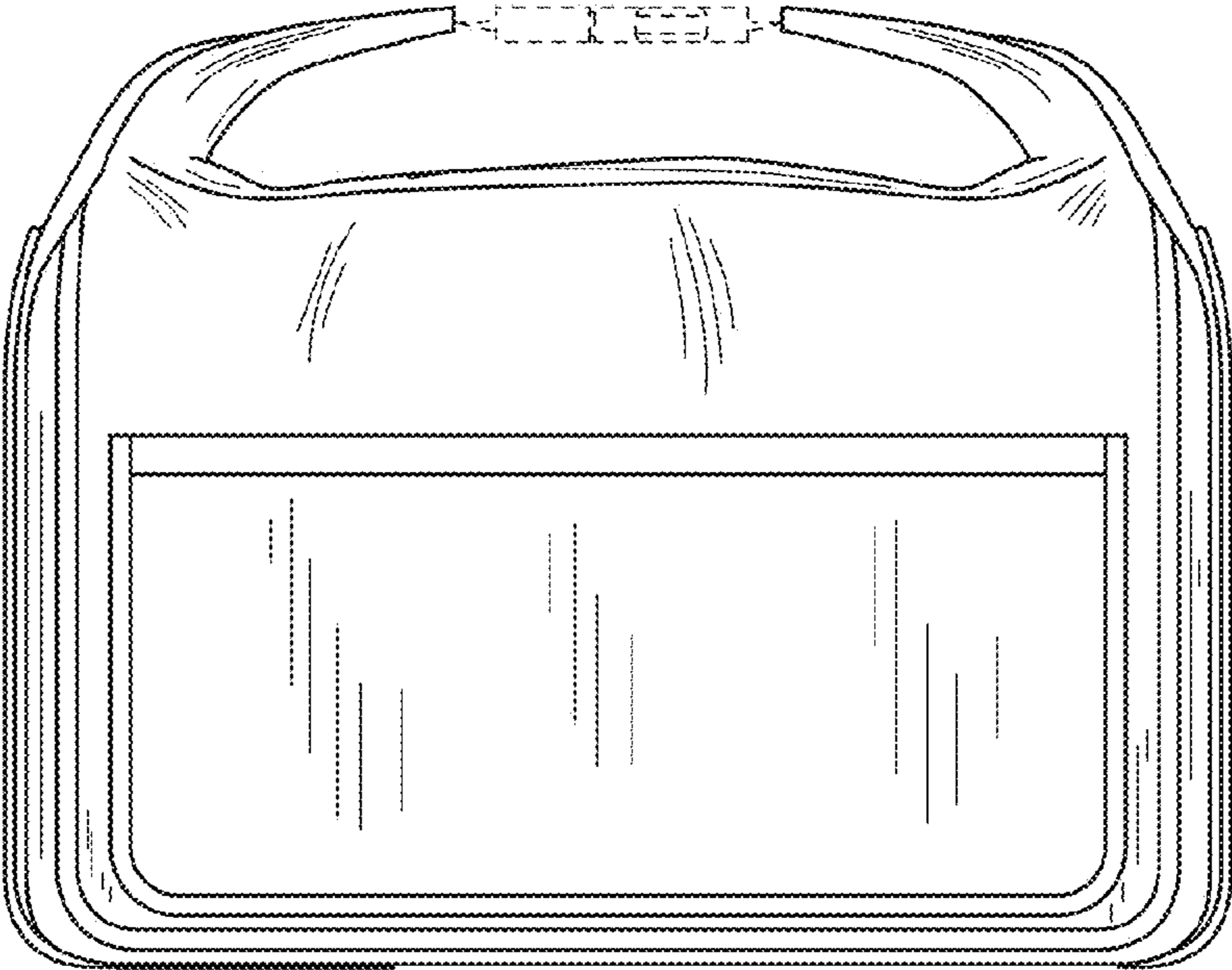


FIG. 11

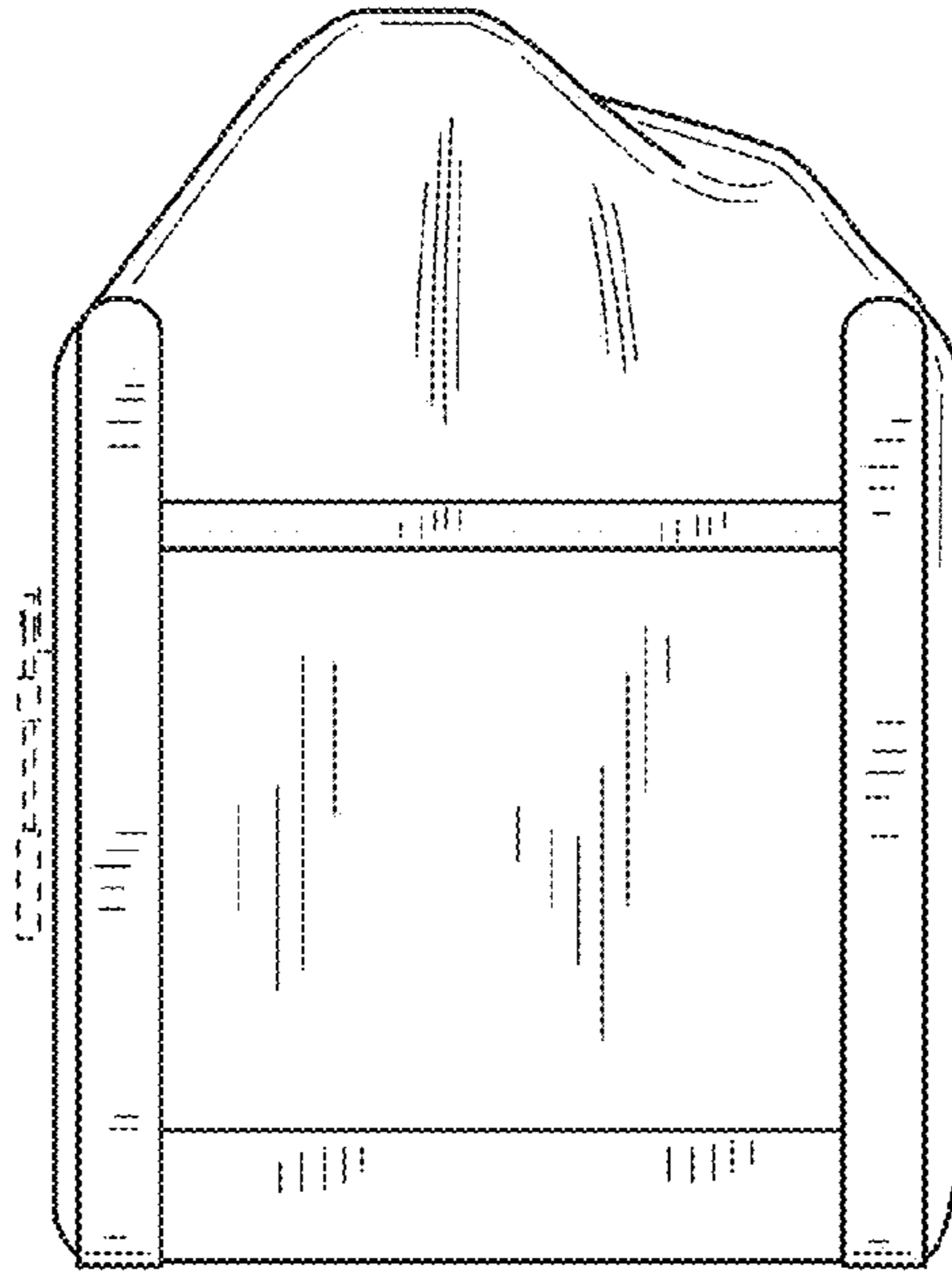


FIG. 12

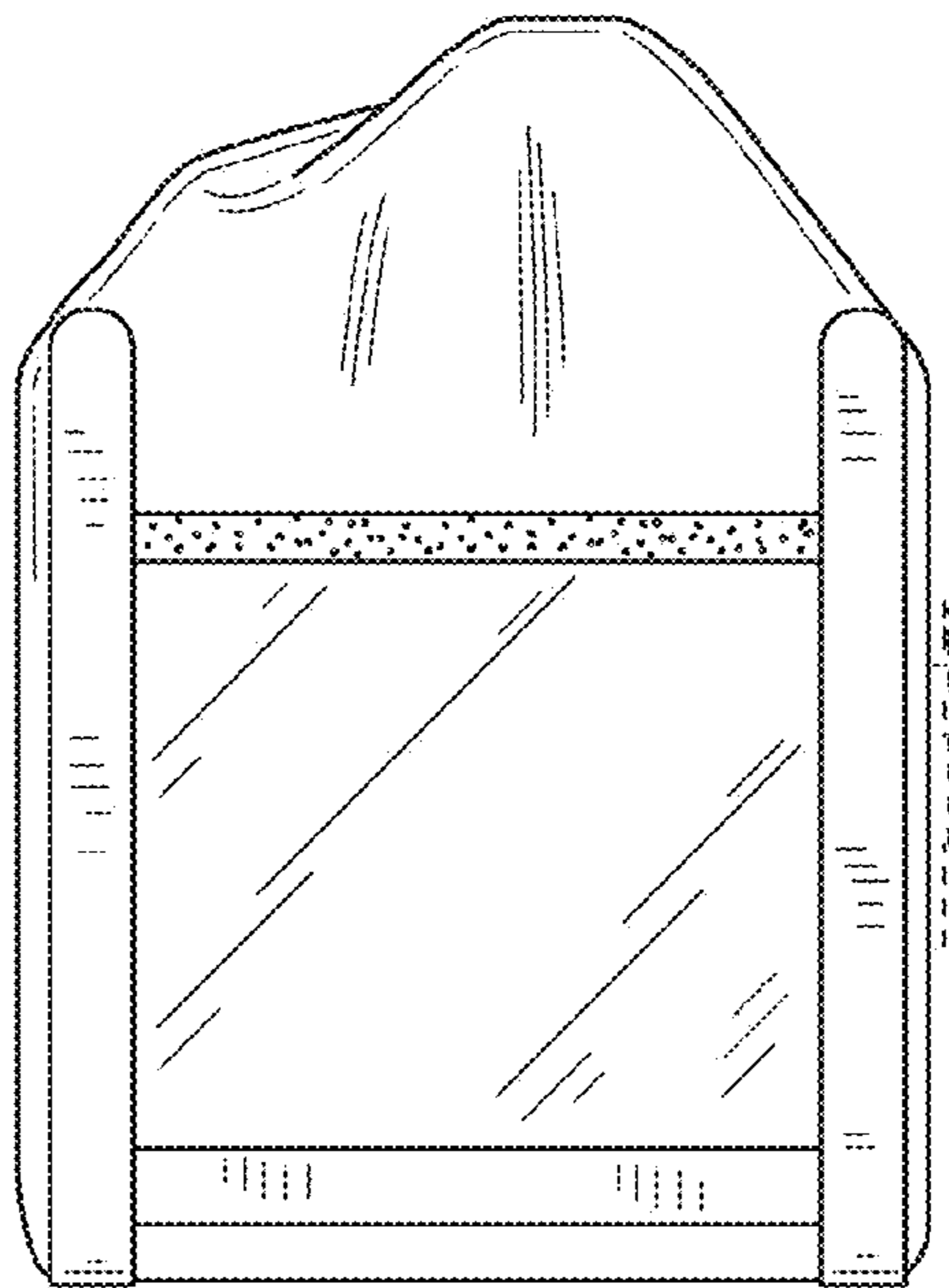


FIG. 13

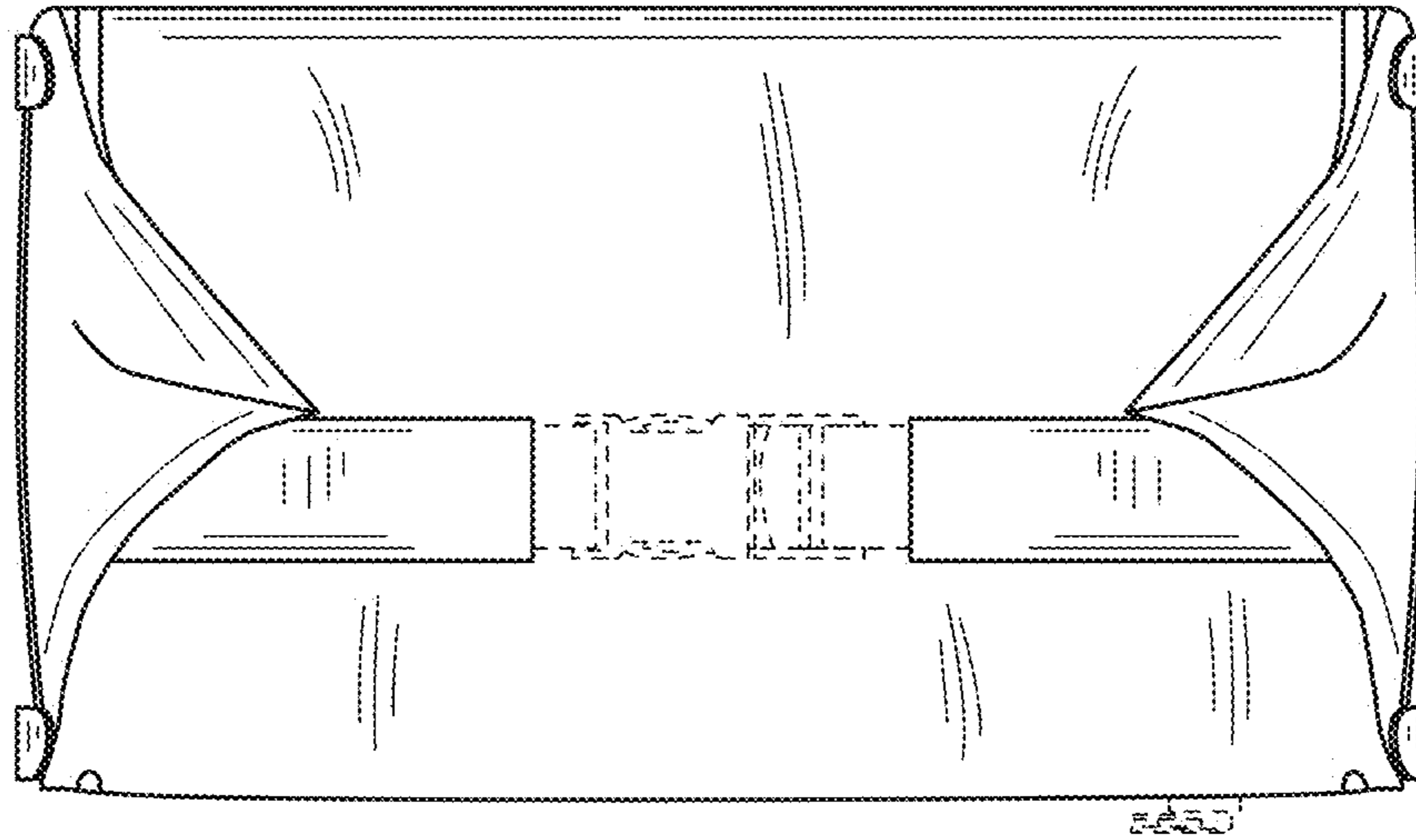


FIG. 14

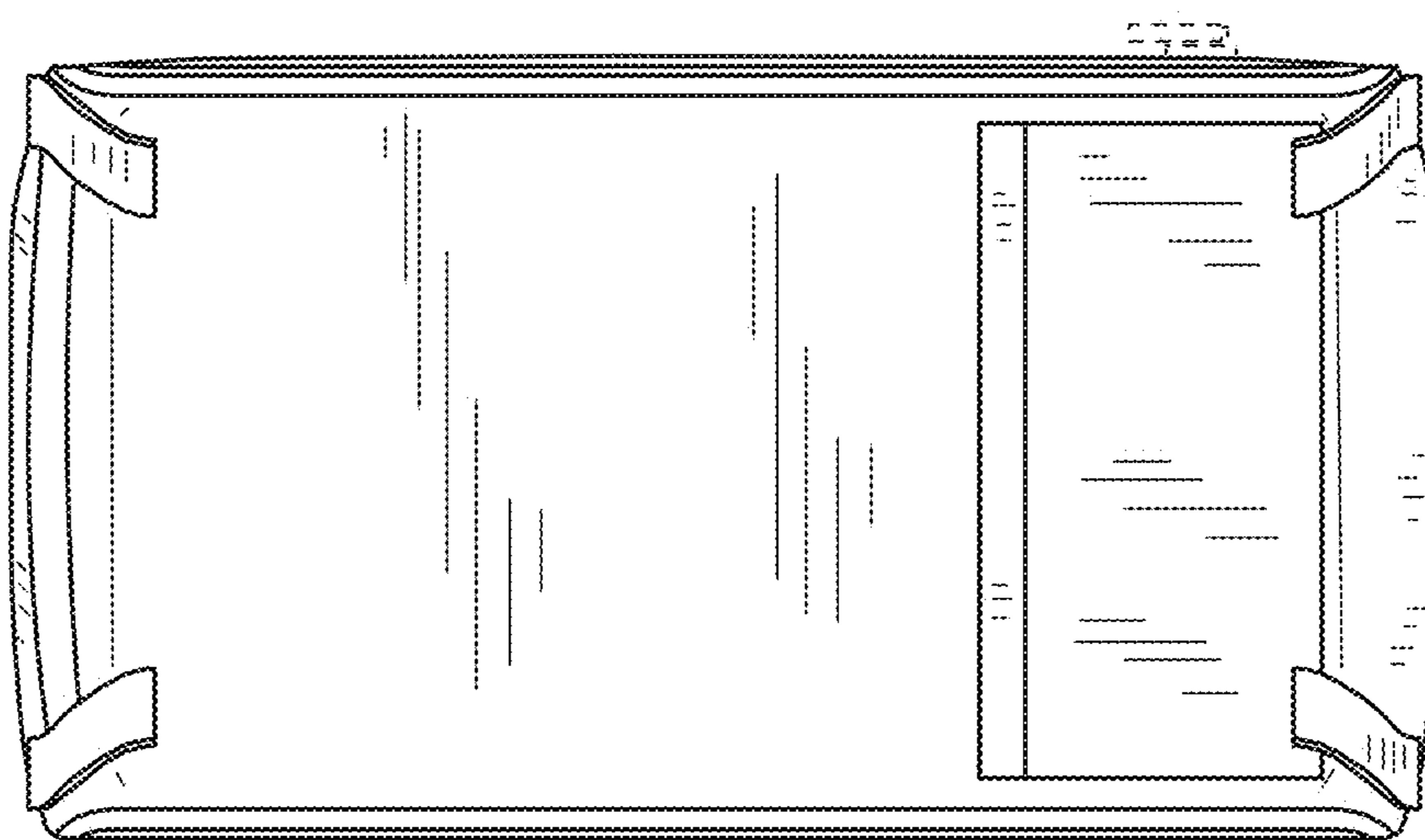


FIG. 15

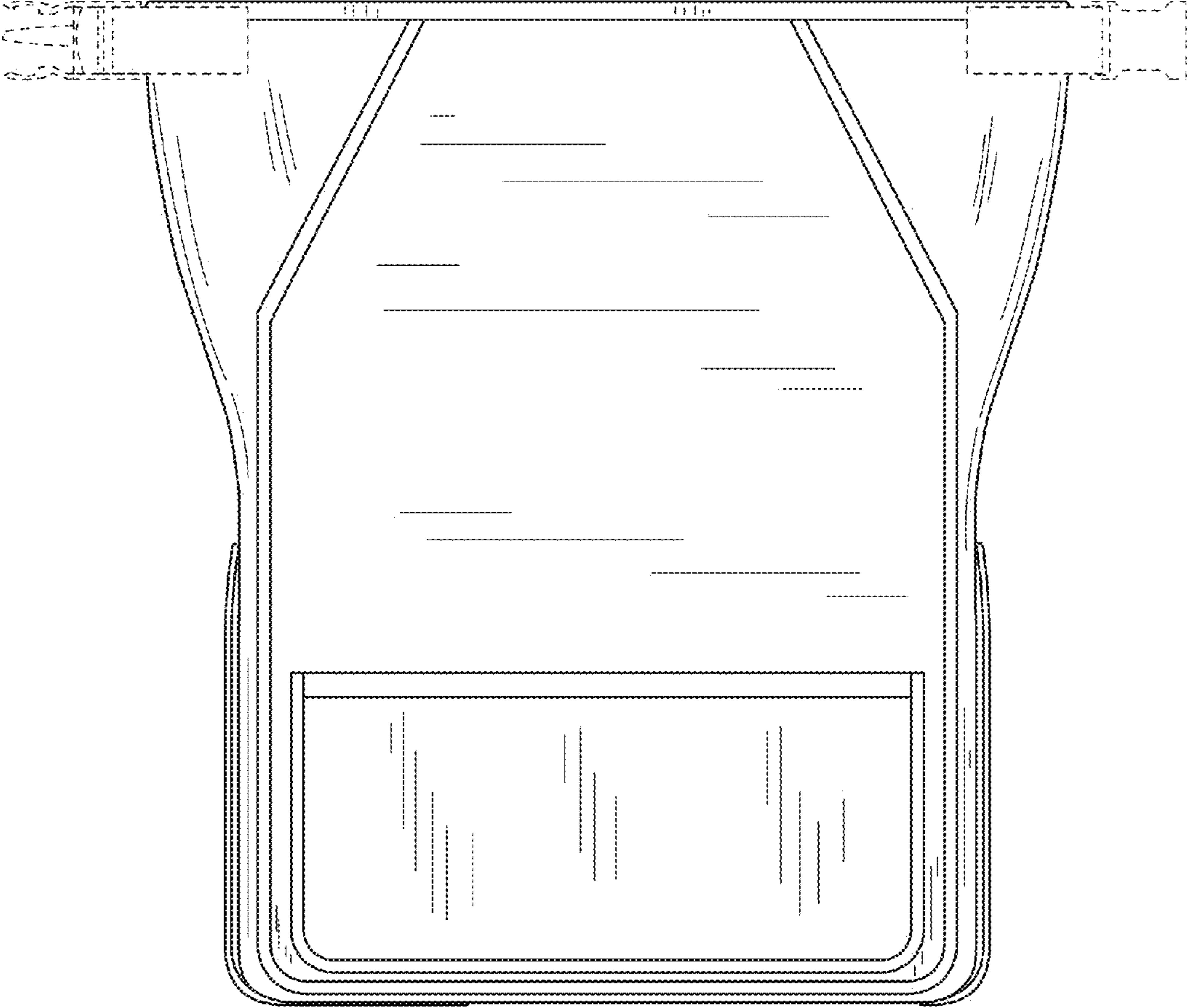


FIG.16

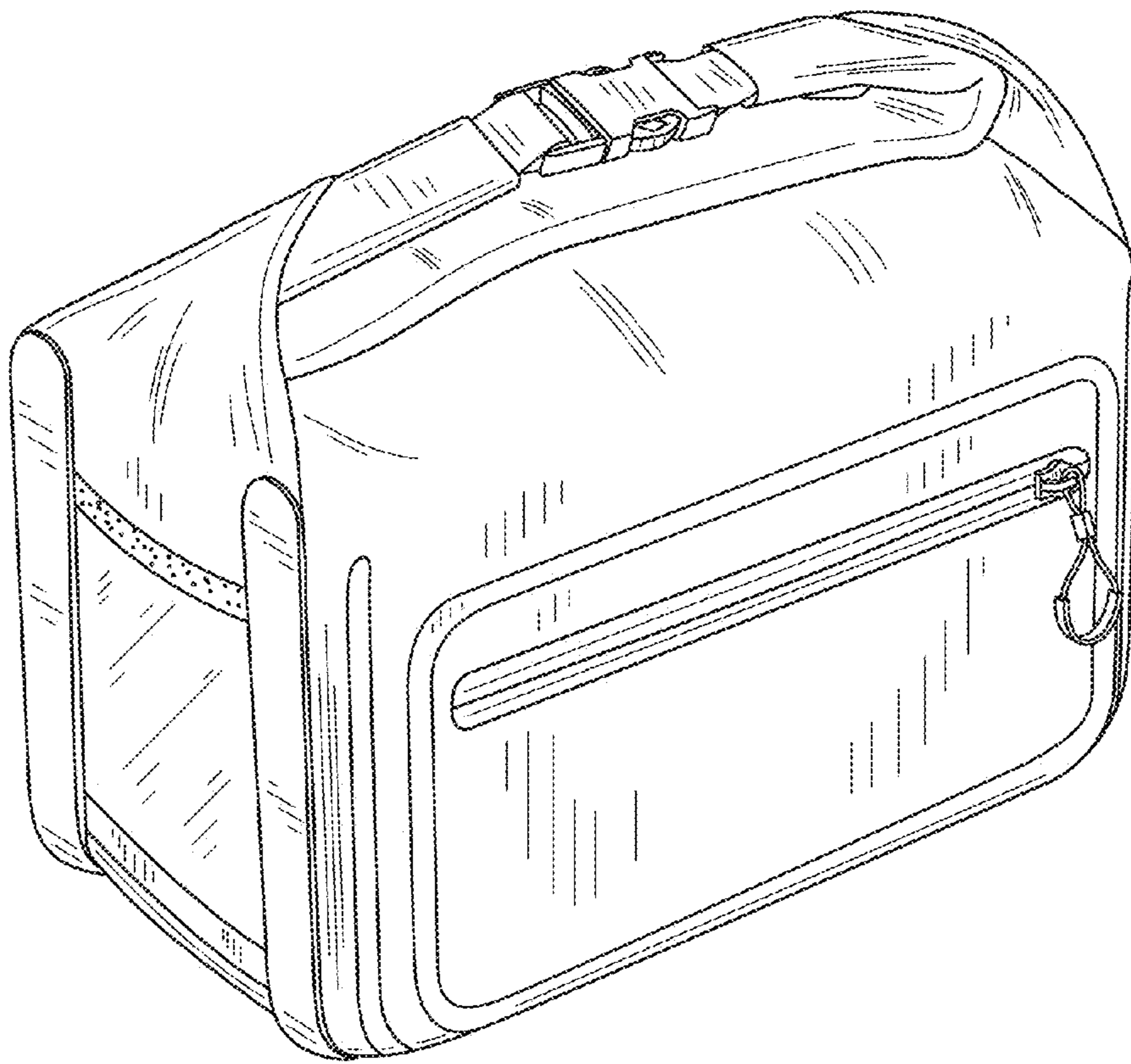


FIG.17

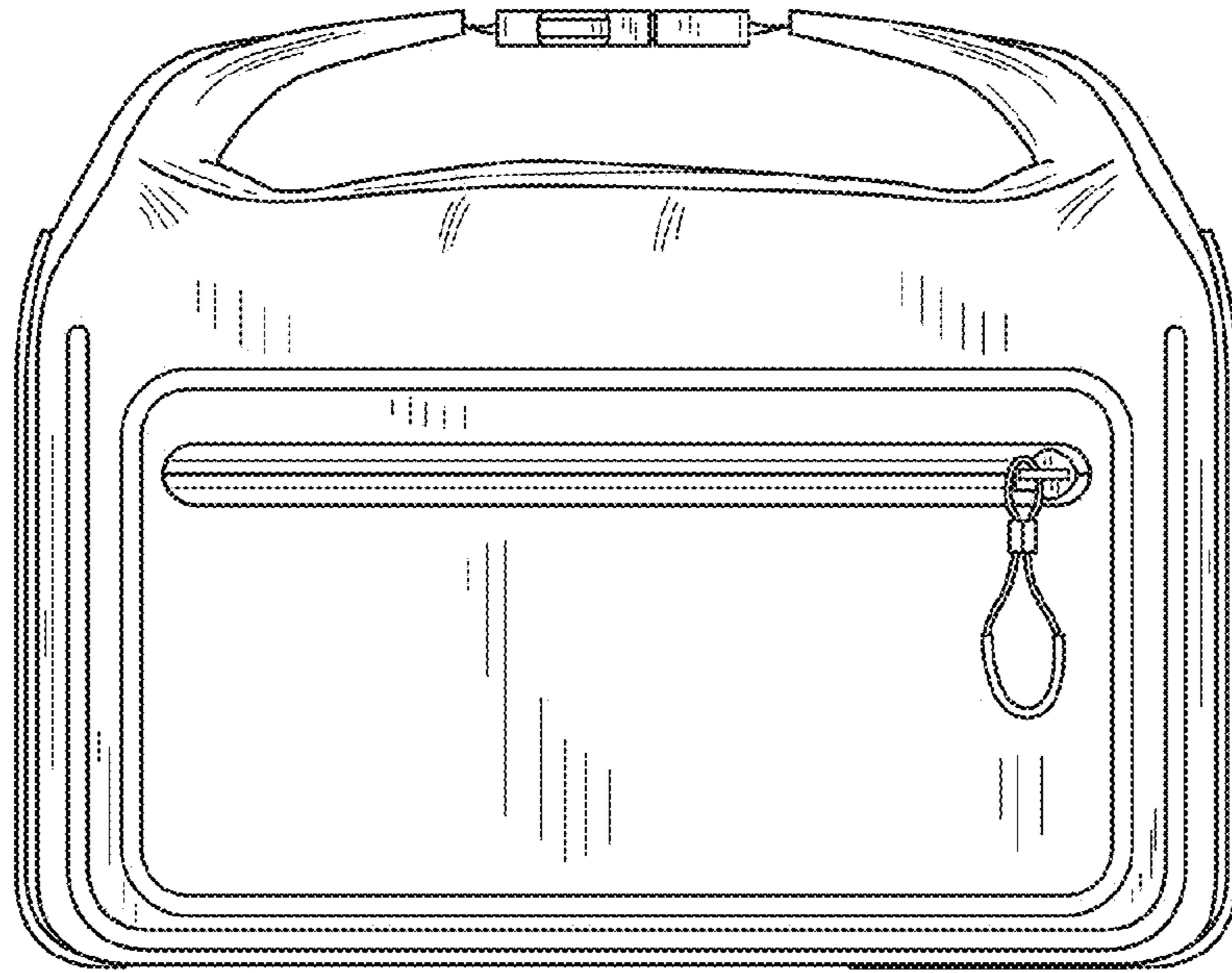


FIG. 18

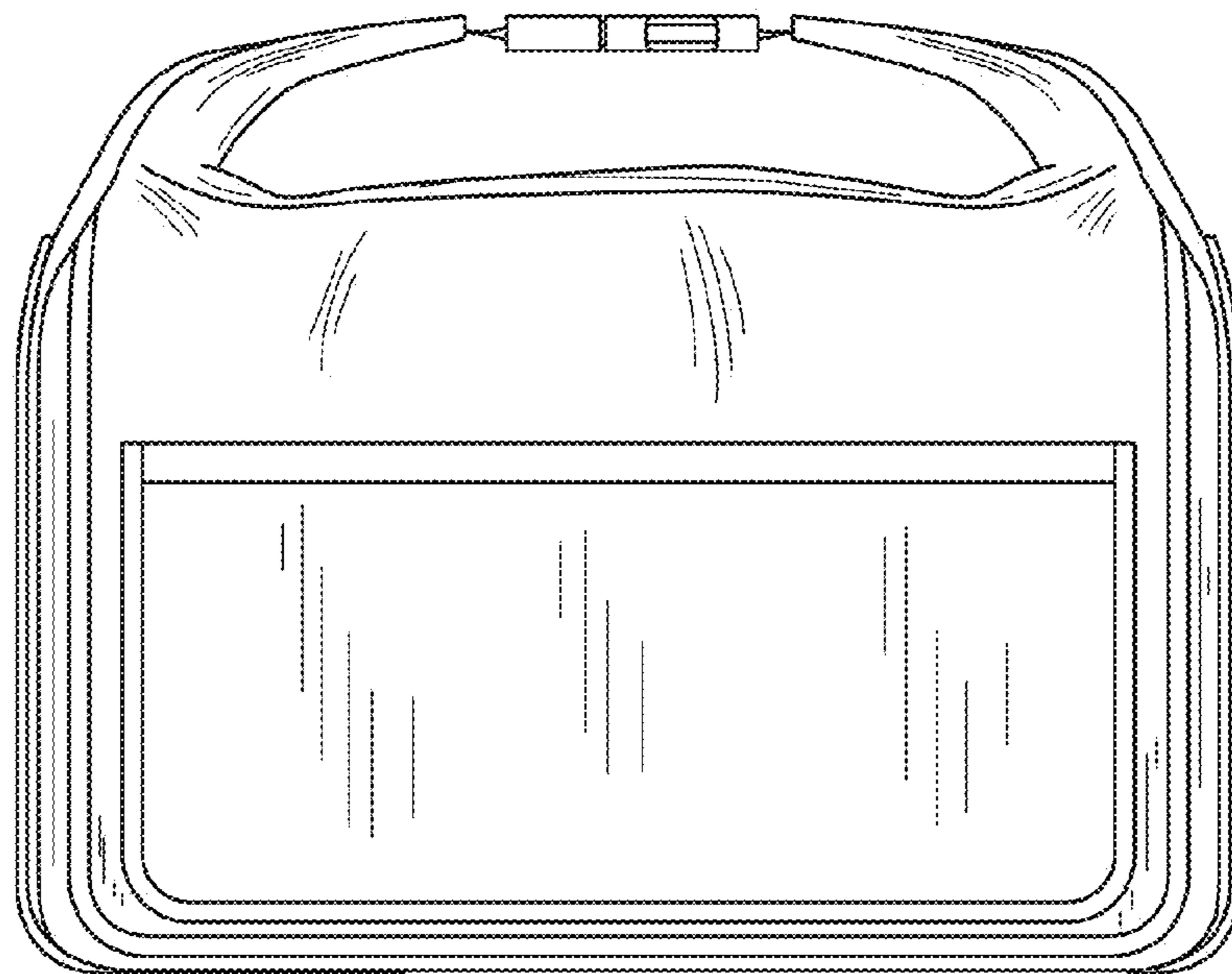


FIG. 19

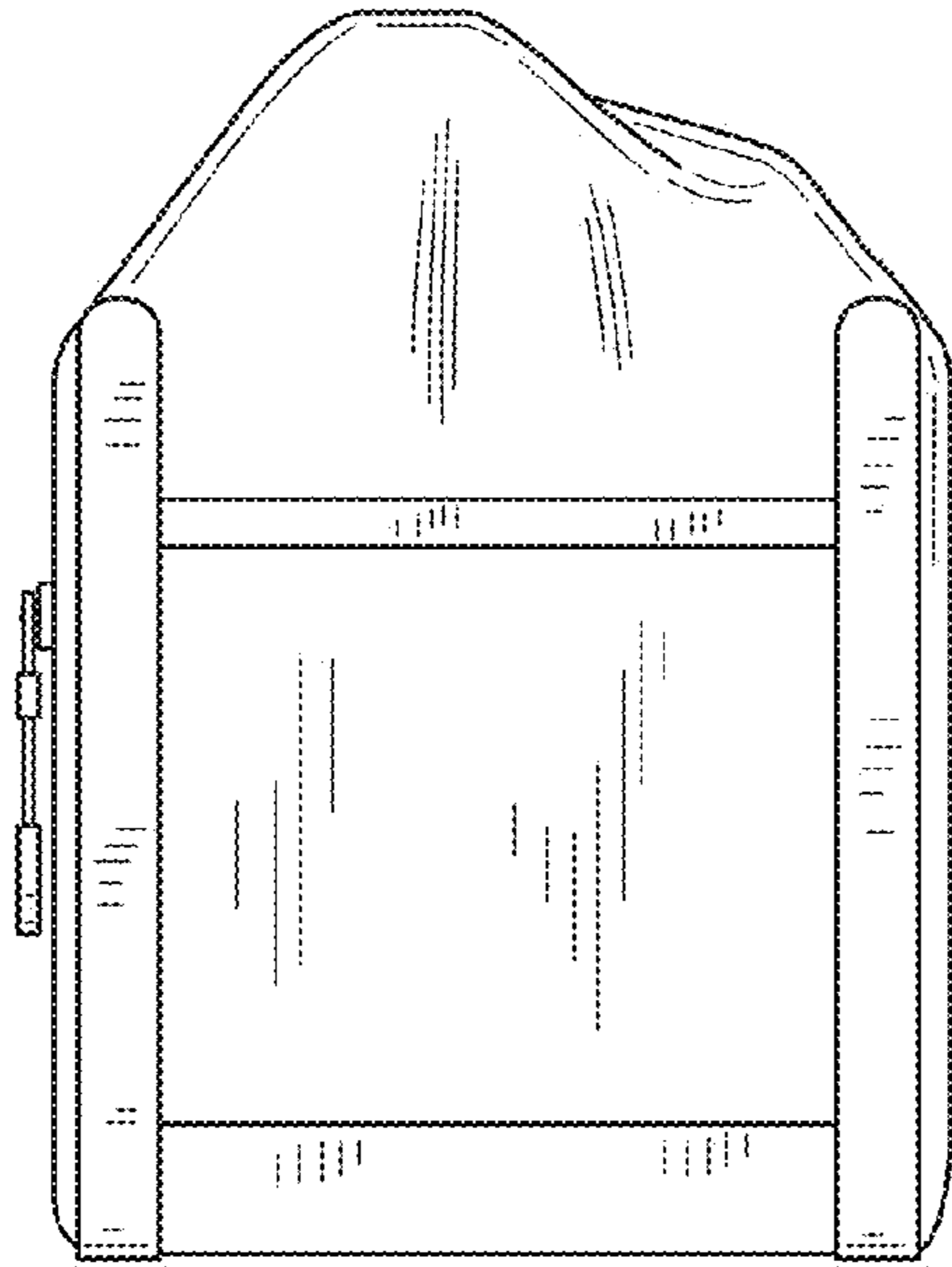


FIG. 20

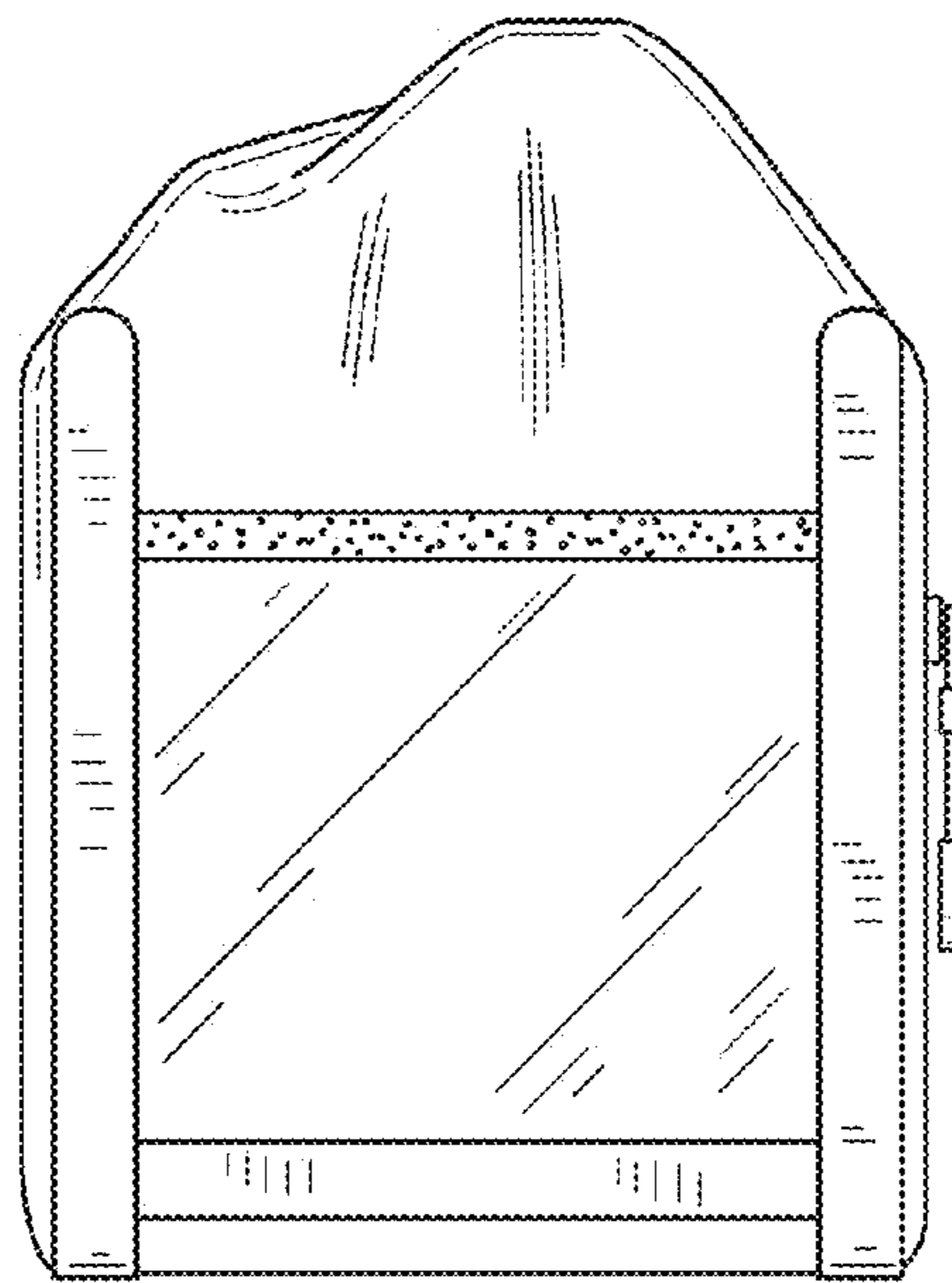


FIG. 21

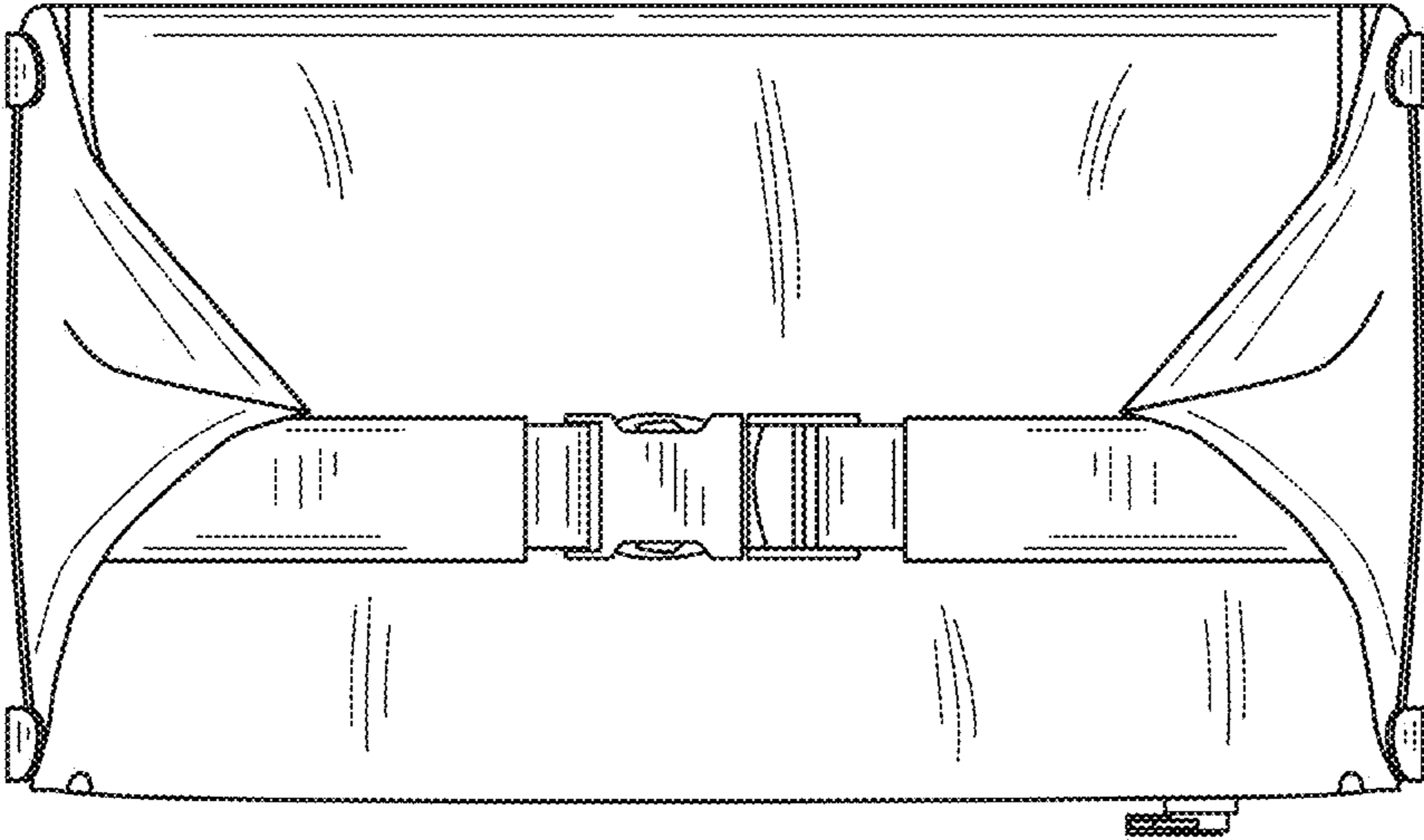


FIG. 22

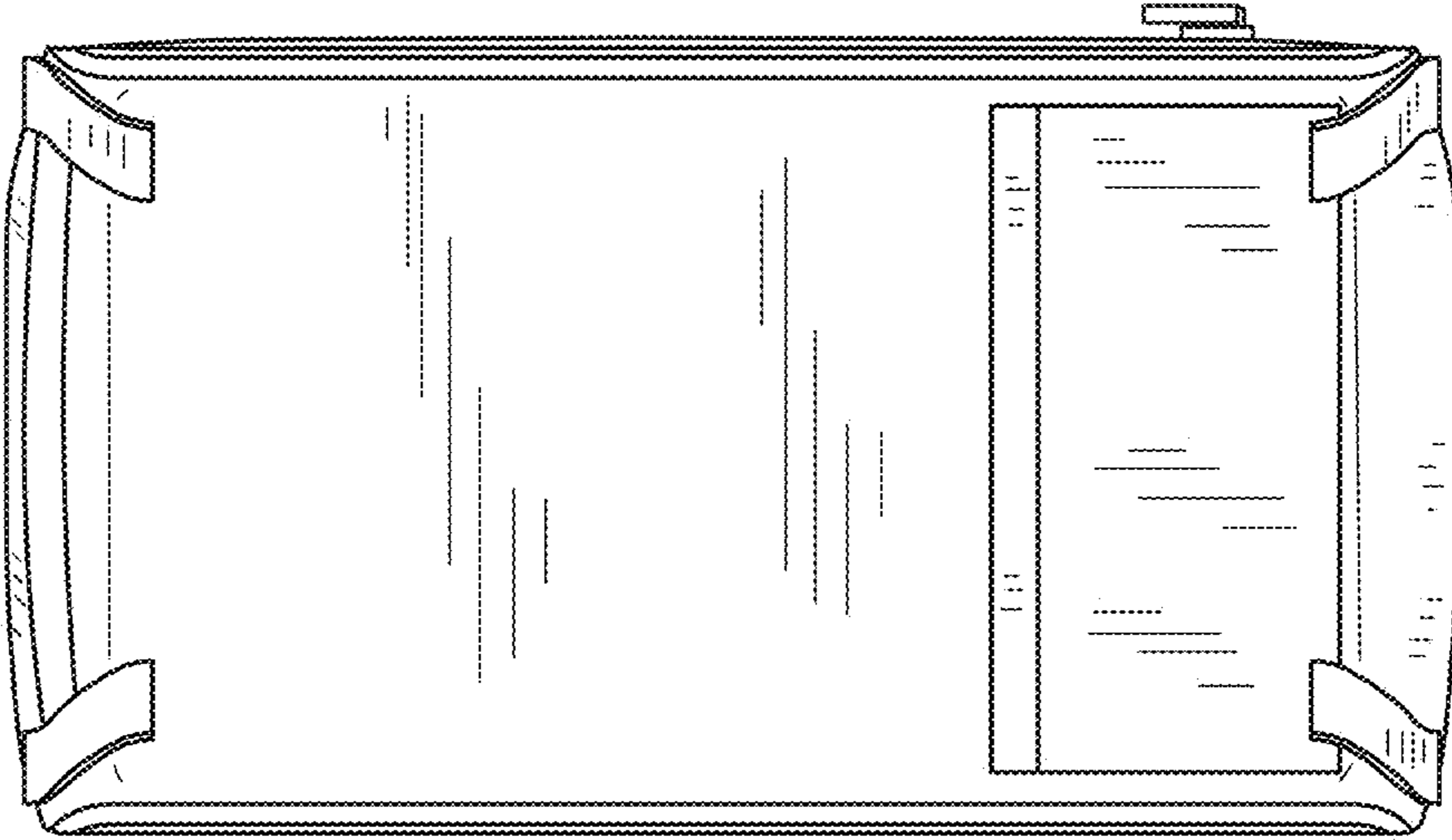


FIG. 23



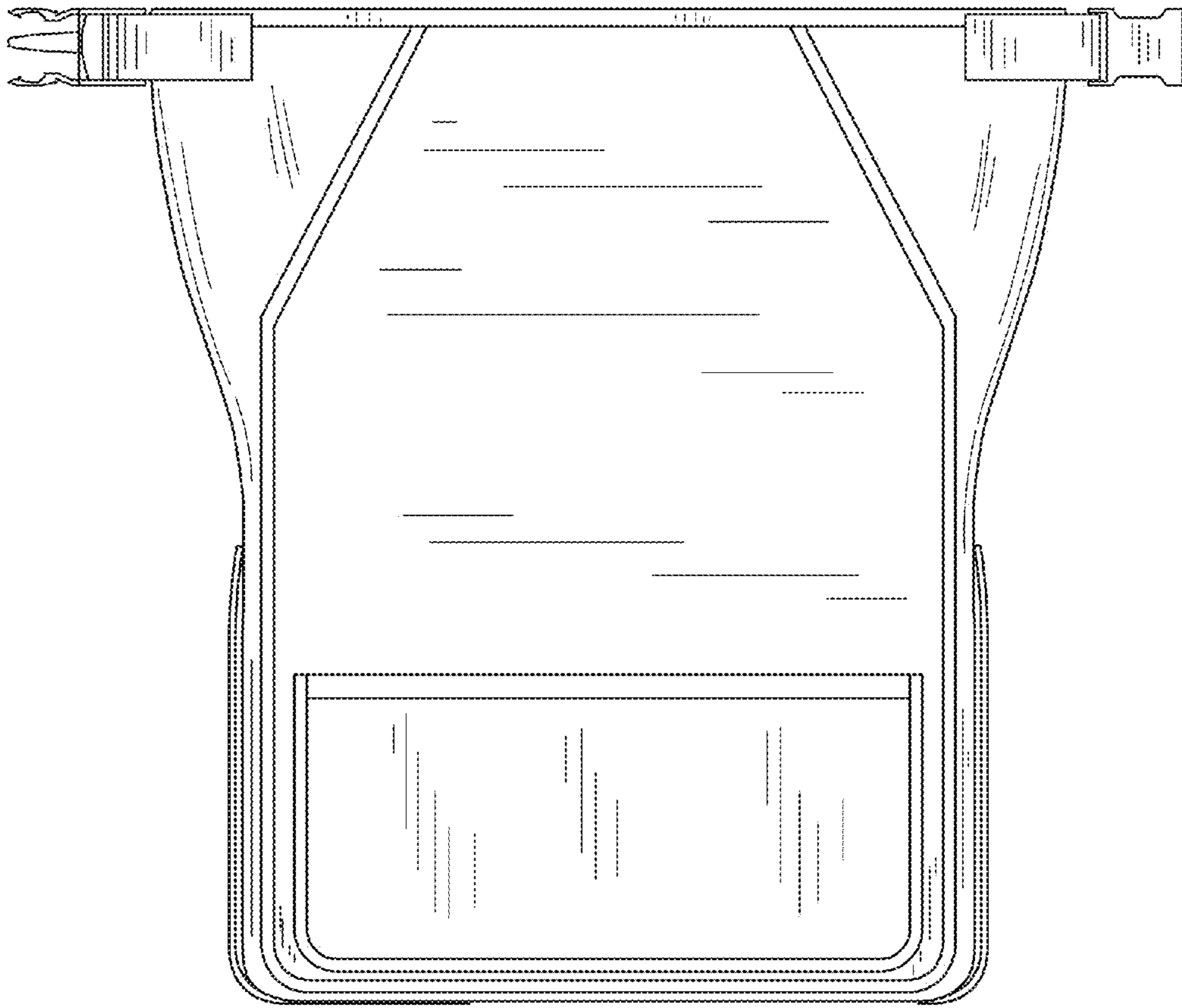


FIG.24