



US00D738106S

(12) **United States Design Patent**
Shitrit

(10) **Patent No.:** **US D738,106 S**
(45) **Date of Patent:** **** Sep. 8, 2015**

(54) **TOOLBOX**

(56) **References Cited**

(71) Applicant: **THE STANLEY WORKS ISRAEL LTD.**, Rosh Ha' Ayin (IL)

(72) Inventor: **Elad Hay Shitrit**, Tel Aviv (IL)

(73) Assignee: **The Stanley Works Israel, Ltd.**, Rosh Ha' Ayin (IL)

(**) Term: **14 Years**

(21) Appl. No.: **29/460,620**

(22) Filed: **Jul. 12, 2013**

(30) **Foreign Application Priority Data**

Jan. 30, 2013 (EM) 001359129

(51) **LOC (10) Cl.** **03-01**

(52) **U.S. Cl.**
USPC **D3/276; D3/294; D3/905**

(58) **Field of Classification Search**
USPC D3/905, 276, 279–284, 291, 294, 295,
D3/298, 901, 302, 272, 273, 274, 903;
206/372–379; 220/523–528
CPC .. B25H 3/02–3/028; B25H 3/00; B25H 3/003
See application file for complete search history.

U.S. PATENT DOCUMENTS

D600,912 S *	9/2009	Brunner	D3/291
D649,350 S *	11/2011	Shitrit	D3/281
D668,048 S *	10/2012	Vilkomirski et al.	D3/281
D674,605 S *	1/2013	Vilkomirski et al.	D3/281
D700,777 S *	3/2014	Shitrit et al.	D3/281
D701,697 S *	4/2014	Sabbag et al.	D3/281
D703,436 S *	4/2014	Sabbag et al.	D3/281
D709,697 S *	7/2014	Brunner	D3/281
2004/0055915 A1 *	3/2004	Dreher et al.	206/349
2010/0052276 A1 *	3/2010	Brunner	280/47.35
2011/0181008 A1 *	7/2011	Bensman et al.	280/47.26
2014/0102928 A1 *	4/2014	Sabbag et al.	206/372

* cited by examiner

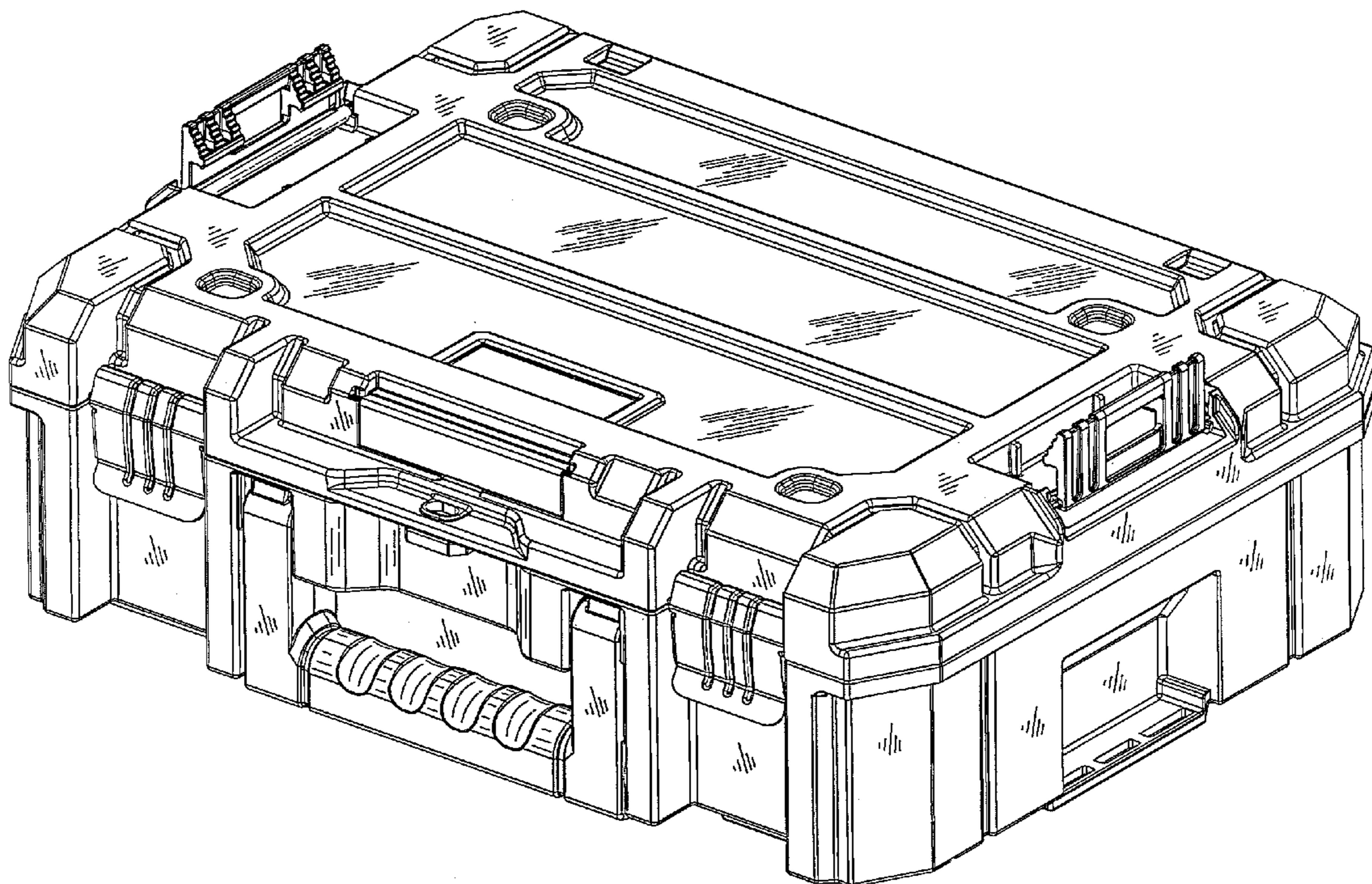
Primary Examiner — Jennifer Rivard
Assistant Examiner — April Rivas
(74) *Attorney, Agent, or Firm* — Gabriel A. Haboubi

(57) **CLAIM**
The ornamental design for a toolbox, as shown and described.

DESCRIPTION

FIG. 1 is a right front perspective view of my new design.
FIG. 2 is a front view thereof.
FIG. 3 is a rear view thereof.
FIG. 4 is a left side view thereof.
FIG. 5 is a right side view thereof.
FIG. 6 is a top view thereof; and,
FIG. 7 is a bottom view thereof.
The broken lines illustrate portions of the toolbox and form no part of the claimed design.

1 Claim, 7 Drawing Sheets



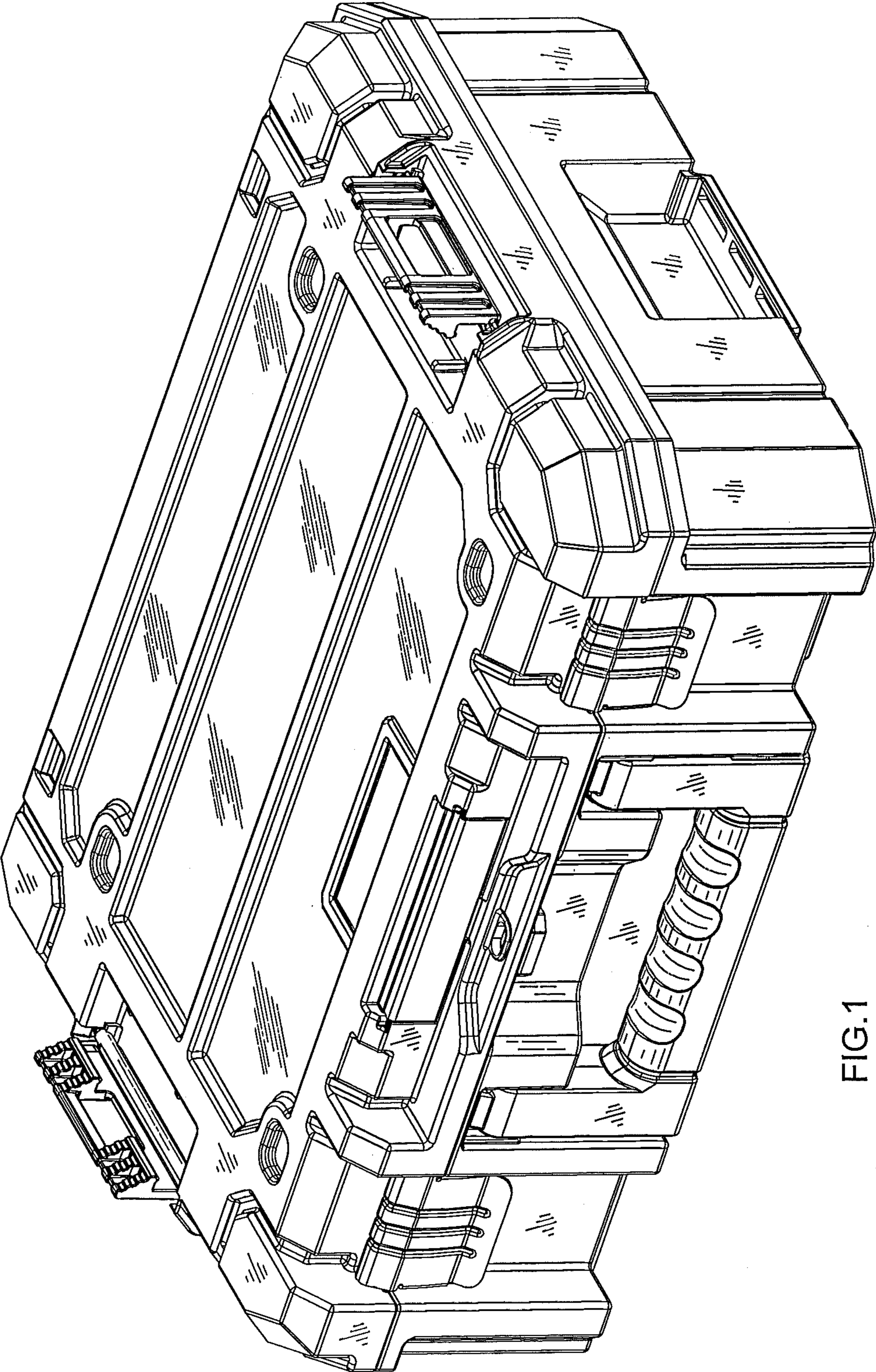


FIG.1

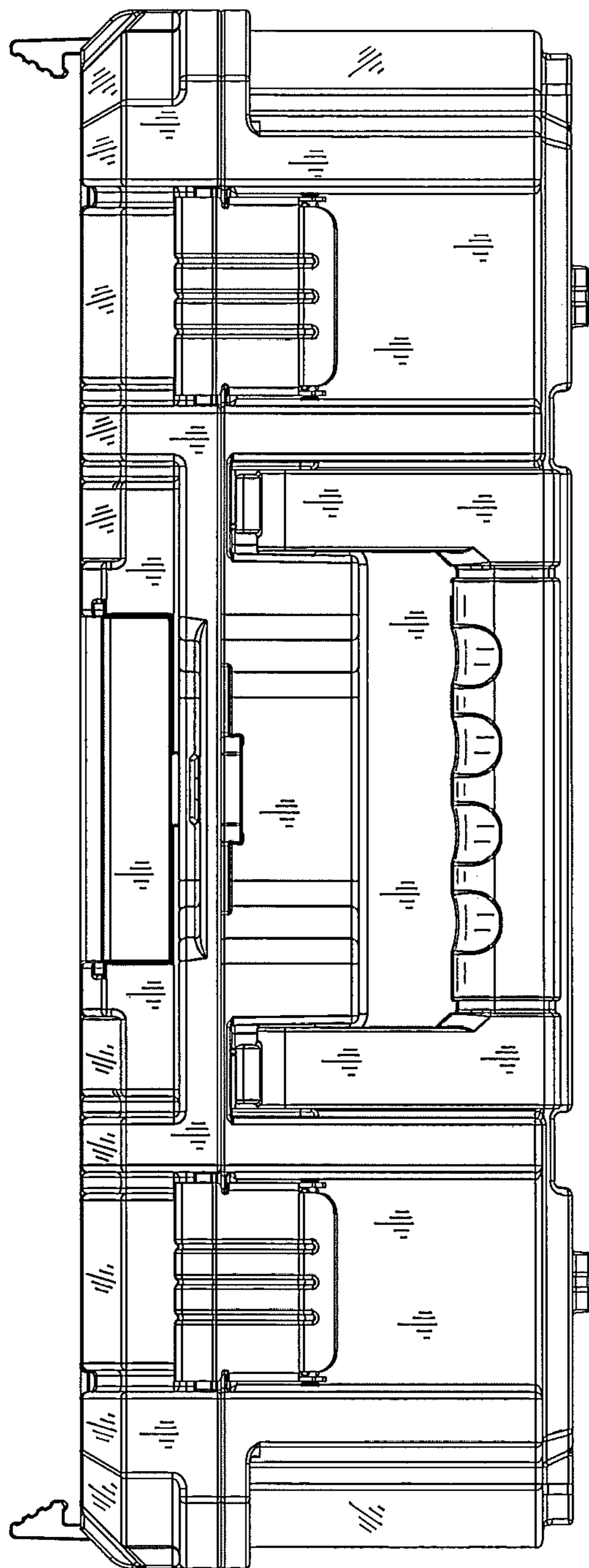


FIG. 2

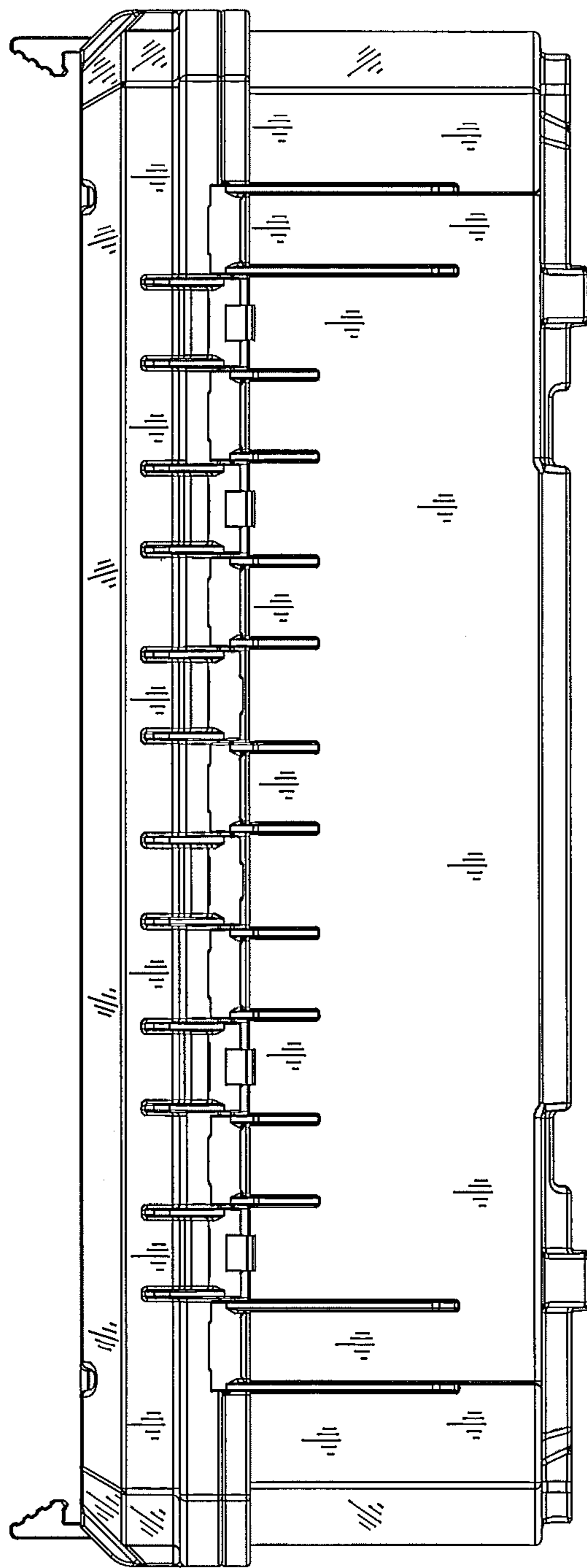


FIG.3

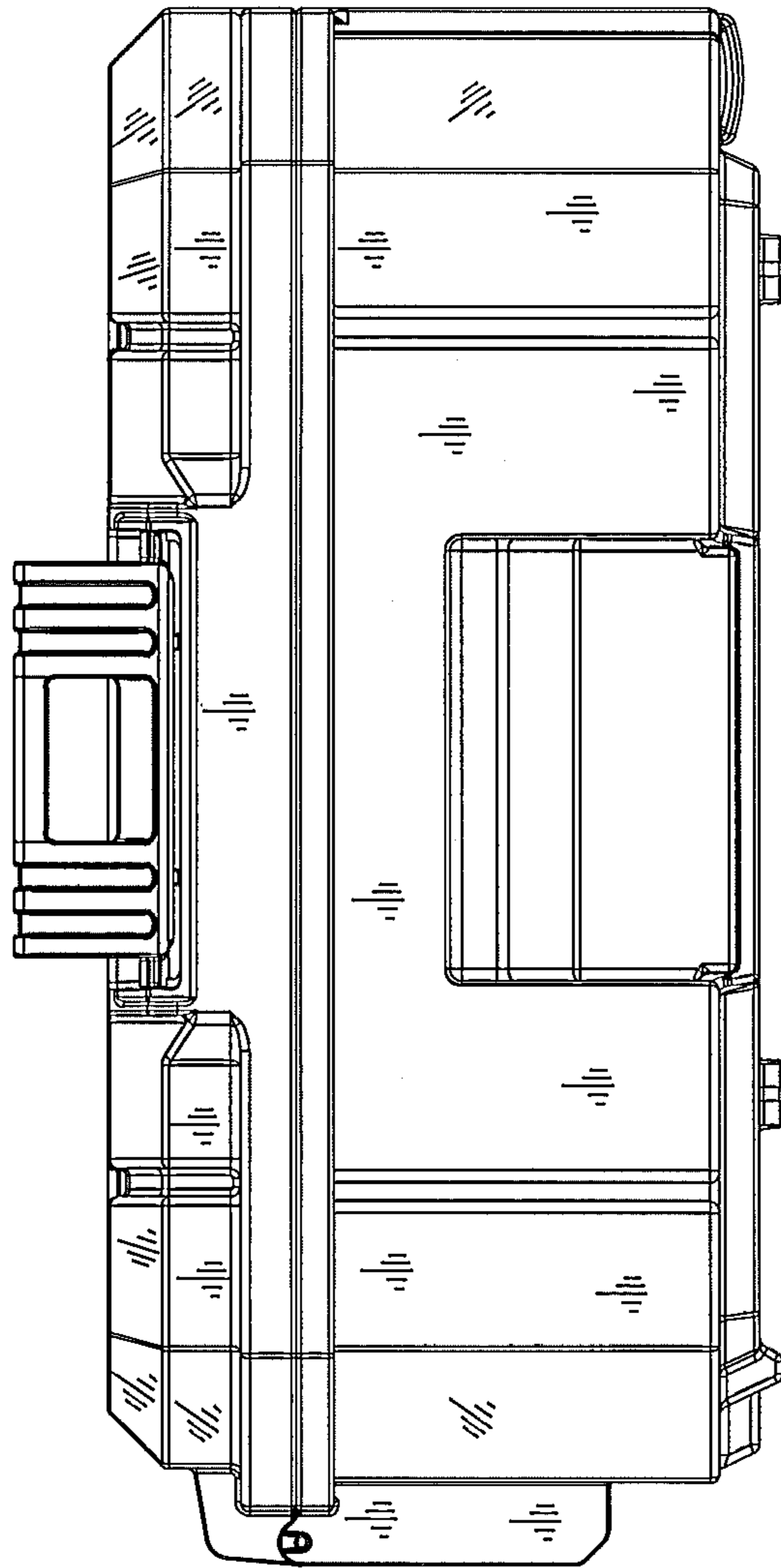


FIG.4

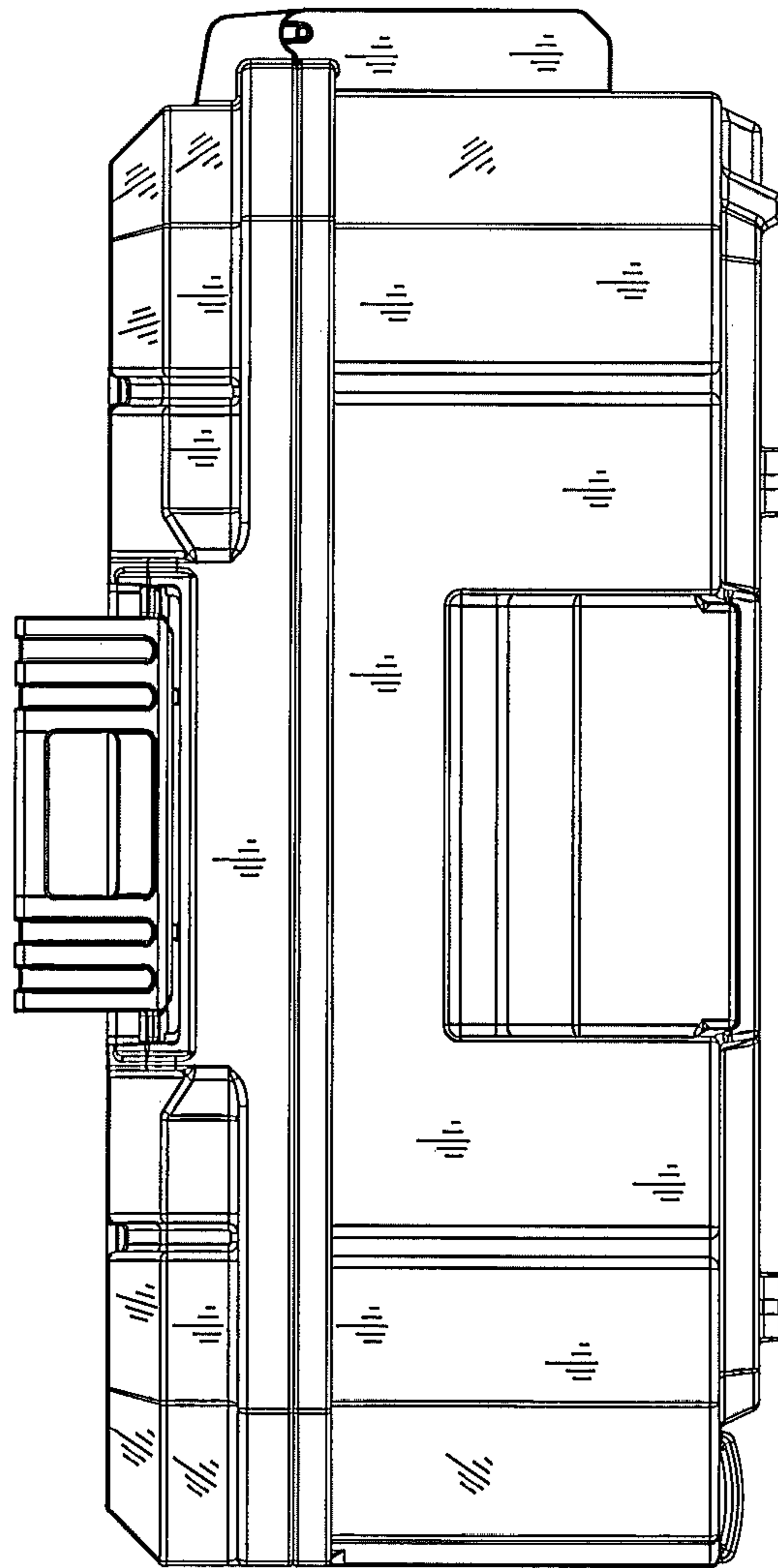


FIG.5

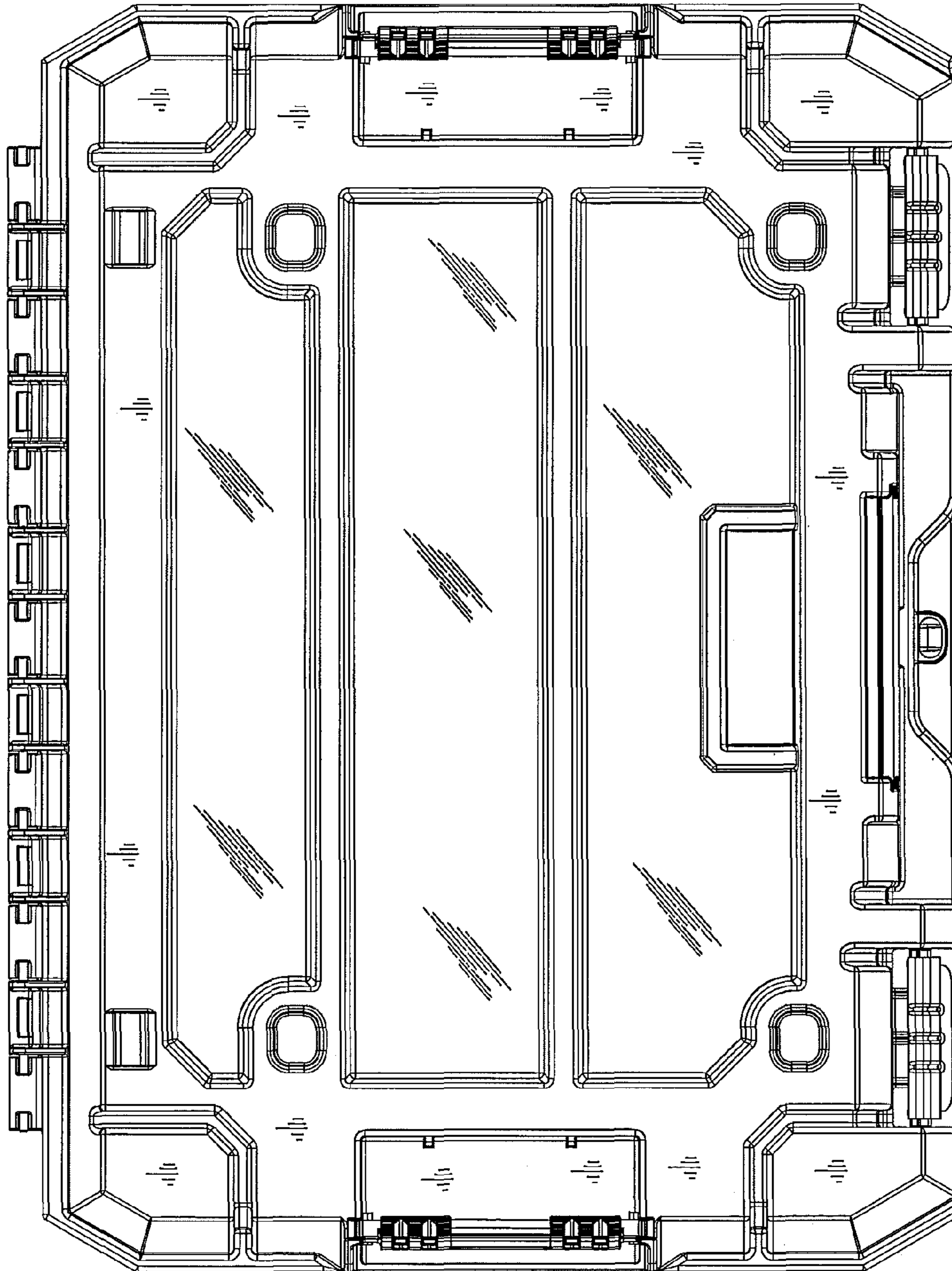


FIG. 6

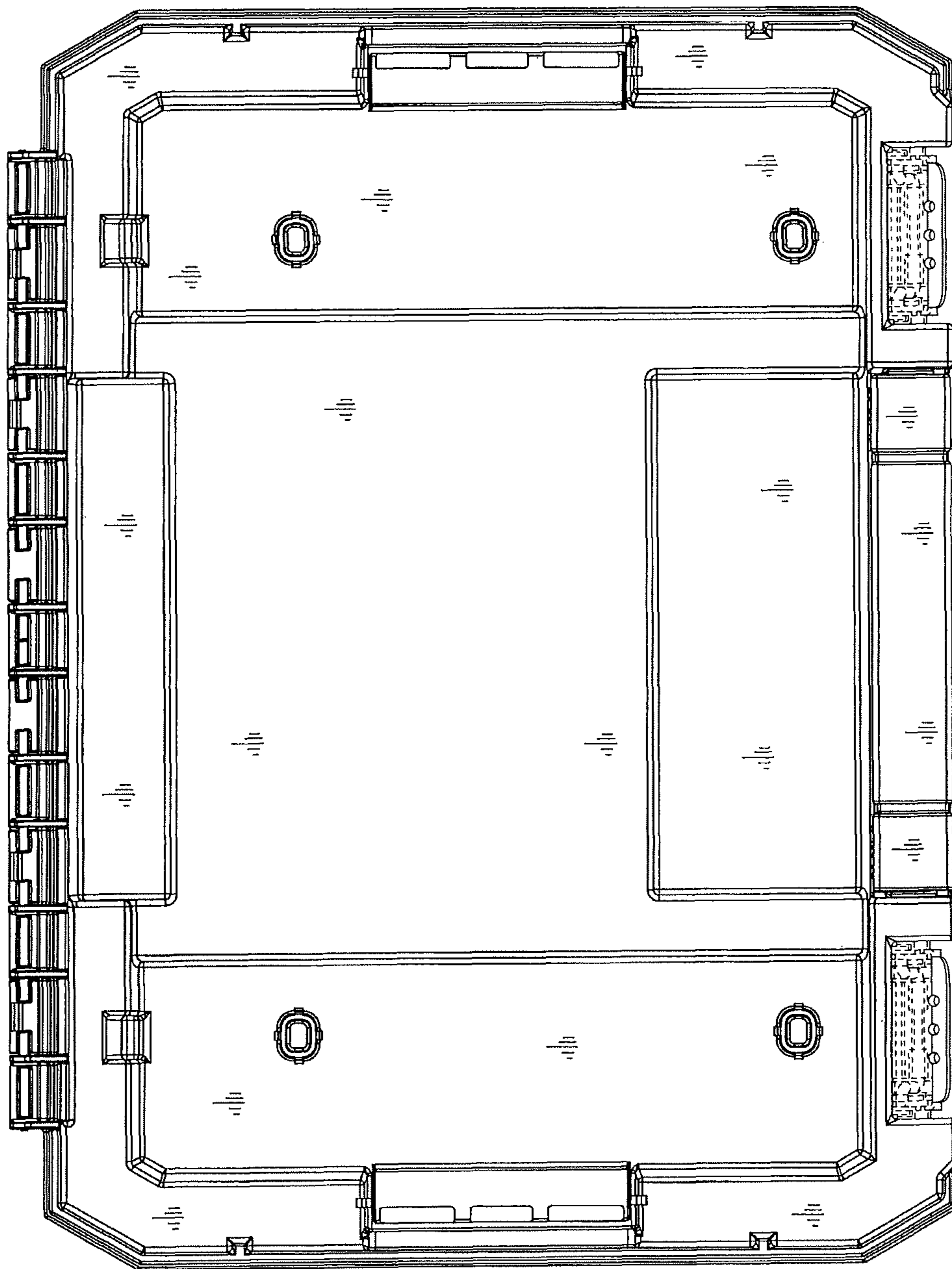


FIG. 7