



US00D738105S

(12) **United States Design Patent**
Shitrit

(10) **Patent No.:** **US D738,105 S**

(45) **Date of Patent:** **** Sep. 8, 2015**

(54) **TOOLBOX**

(56) **References Cited**

(71) Applicant: **THE STANLEY WORKS ISRAEL LTD.**, Rosh Ha' Ayin (IL)

(72) Inventor: **Elad Hay Shitrit**, Tel Aviv (IL)

(73) Assignee: **The Stanley Works Israel, Ltd.**, Rosh Ha' Ayin (IL)

(**) Term: **14 Years**

(21) Appl. No.: **29/460,613**

(22) Filed: **Jul. 12, 2013**

(30) **Foreign Application Priority Data**

Jan. 17, 2013 (EM) 001357867

(51) **LOC (10) Cl.** **03-01**

(52) **U.S. Cl.**
USPC **D3/276; D3/294; D3/905**

(58) **Field of Classification Search**
USPC D3/905, 276, 279-284, 291, 294, 295,
D3/298, 901, 302, 272, 273, 274, 903;
206/372-379; 220/523-528
CPC . B25H 3/02-3/028; B25H 3/00; B25H 3/003;
B25H 3/006

See application file for complete search history.

U.S. PATENT DOCUMENTS

D441,954 S *	5/2001	Parker	D3/279
D467,426 S *	12/2002	Hardigg et al.	D3/279
D668,048 S *	10/2012	Vilkomirski et al.	D3/281
8,297,464 B2 *	10/2012	Grenier et al.	220/326
D674,605 S *	1/2013	Vilkomirski et al.	D3/281
D701,697 S *	4/2014	Sabbag et al.	D3/281
D703,436 S *	4/2014	Sabbag et al.	D3/281
D703,437 S *	4/2014	Bar-Erez	D3/282
D711,105 S *	8/2014	Brunner	D3/281
D717,047 S *	11/2014	Shitrit et al.	D3/276
D719,352 S *	12/2014	Shitrit	D3/282

* cited by examiner

Primary Examiner — Jennifer Rivard

Assistant Examiner — April Rivas

(74) *Attorney, Agent, or Firm* — Gabriel A. Haboubi

(57) **CLAIM**

The ornamental design for a toolbox, as shown and described.

DESCRIPTION

FIG. 1 is a right front perspective view of my new design.

FIG. 2 is a front view thereof.

FIG. 3 is a rear view thereof.

FIG. 4 is a left side view thereof.

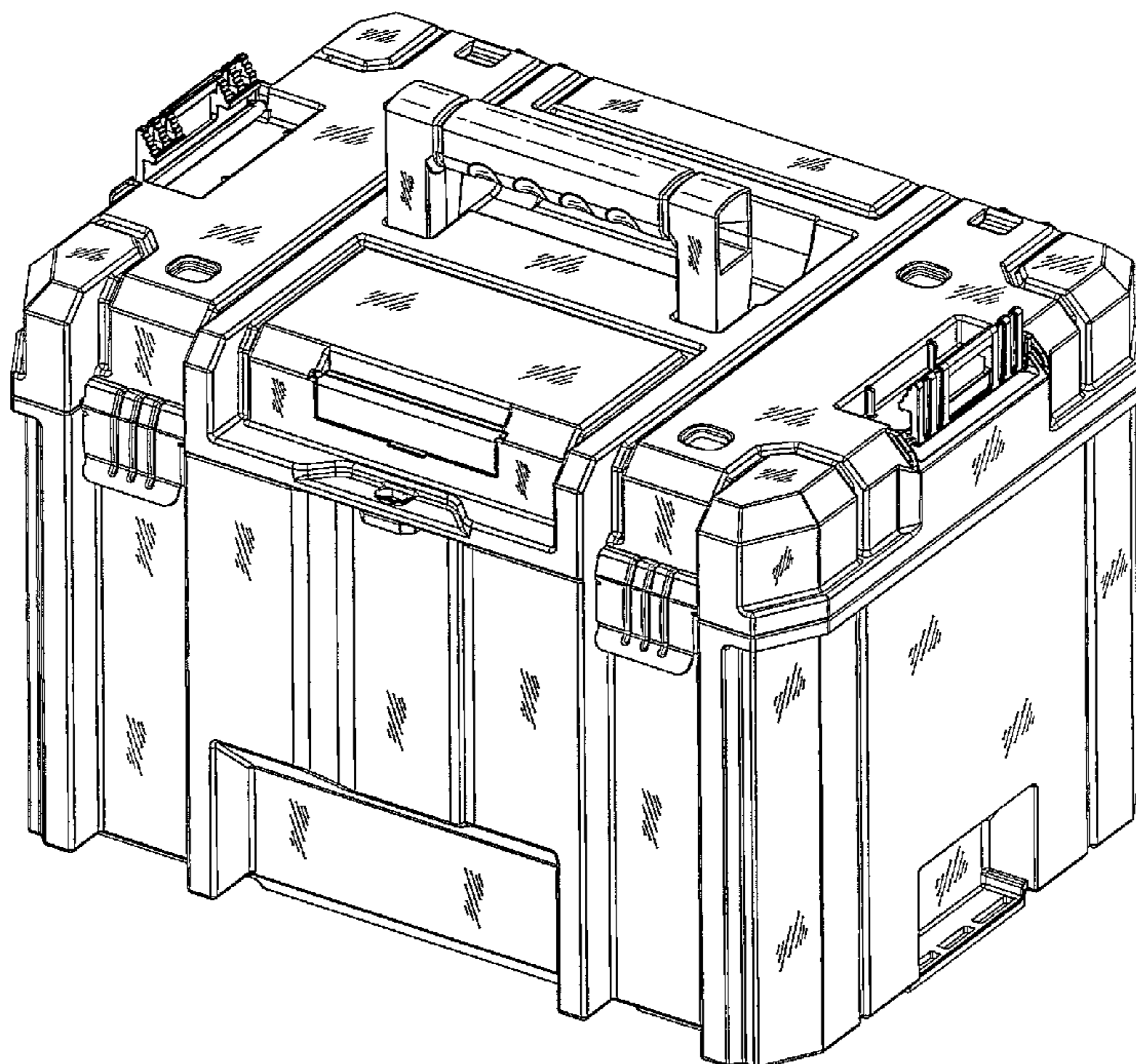
FIG. 5 is a right side view thereof.

FIG. 6 is a top view thereof; and,

FIG. 7 is a bottom view thereof.

The broken lines illustrate portions of the toolbox and form no part of the claimed design.

1 Claim, 7 Drawing Sheets



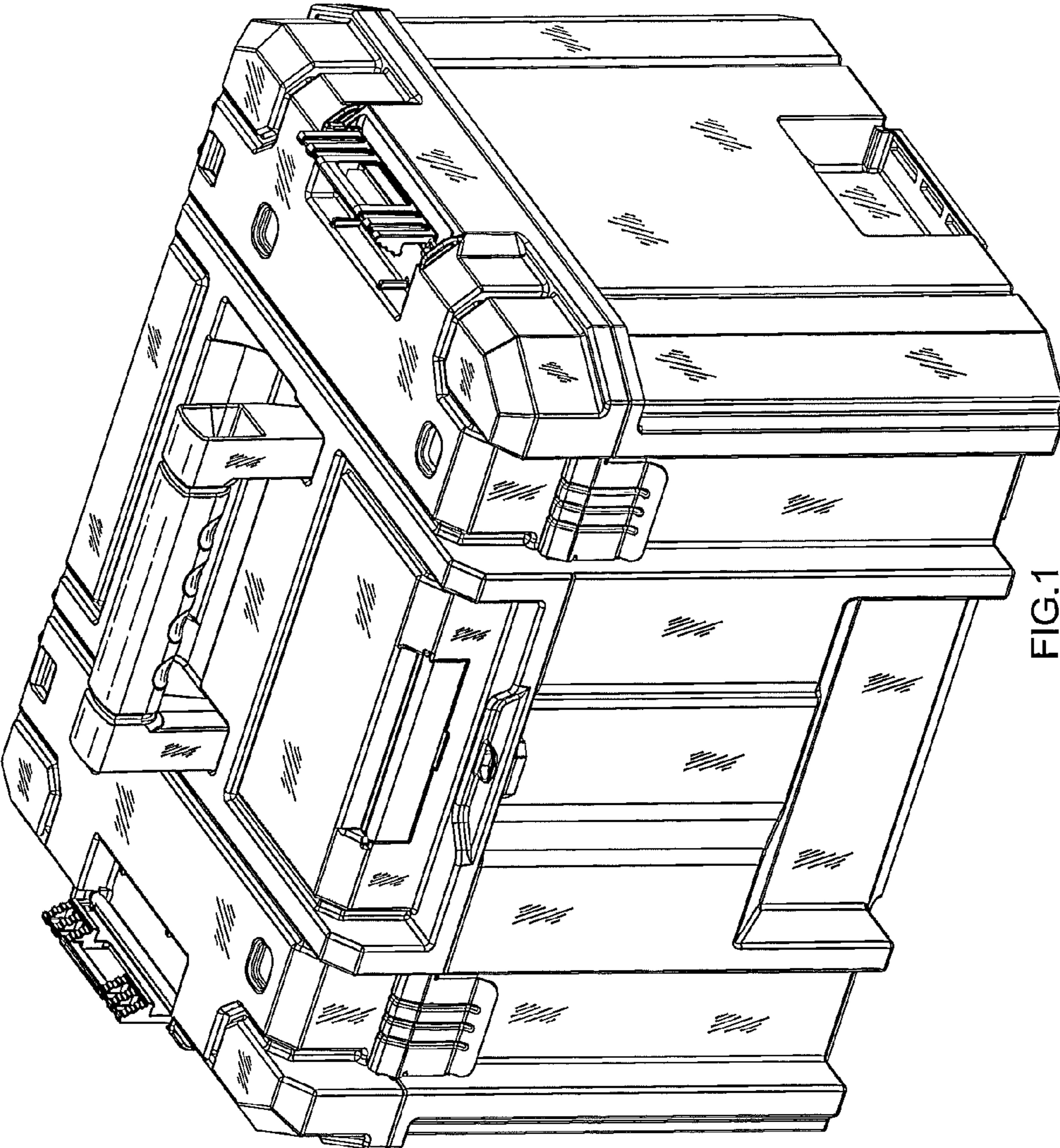


FIG.1

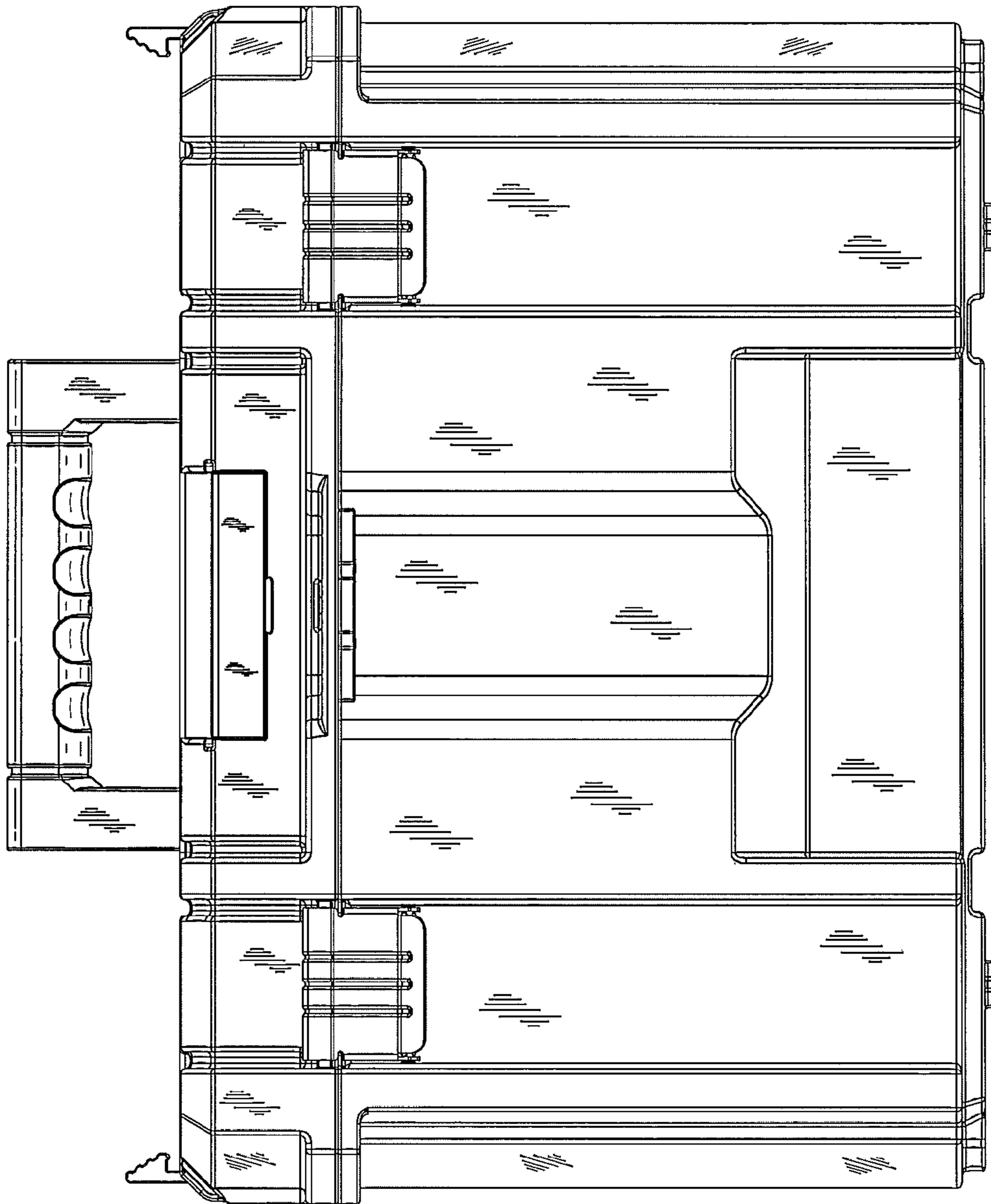


FIG.2

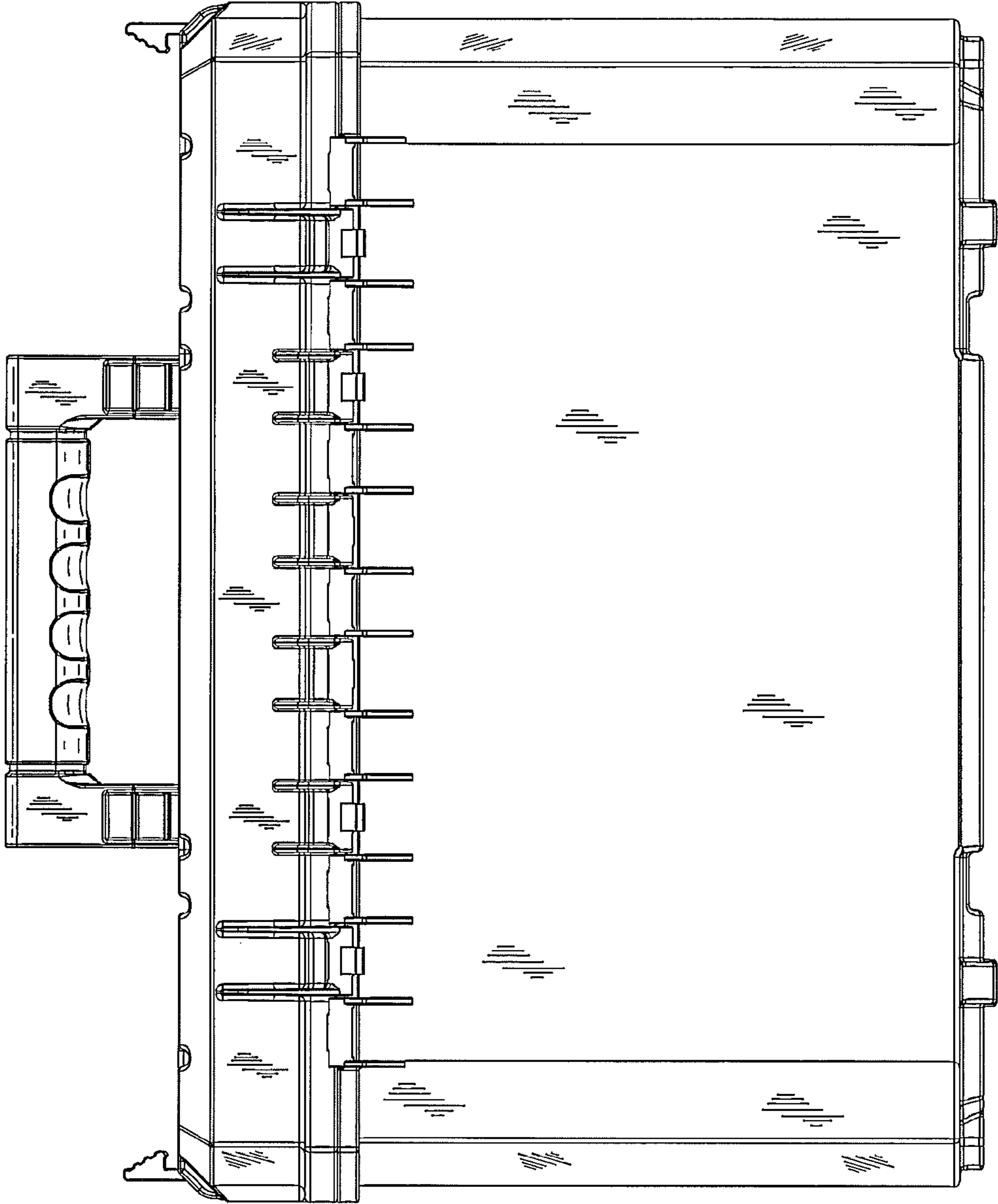


FIG.3

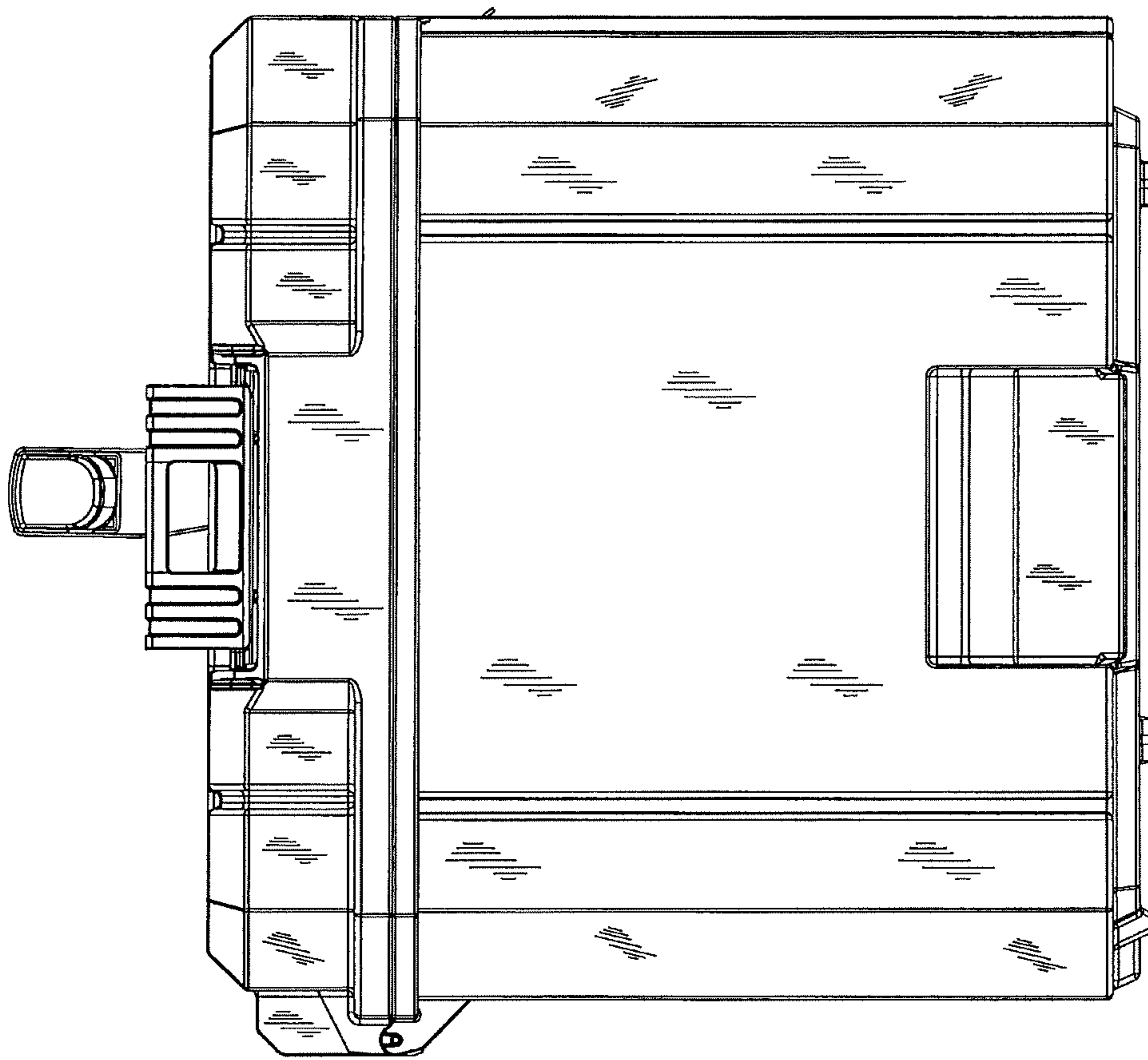


FIG. 4

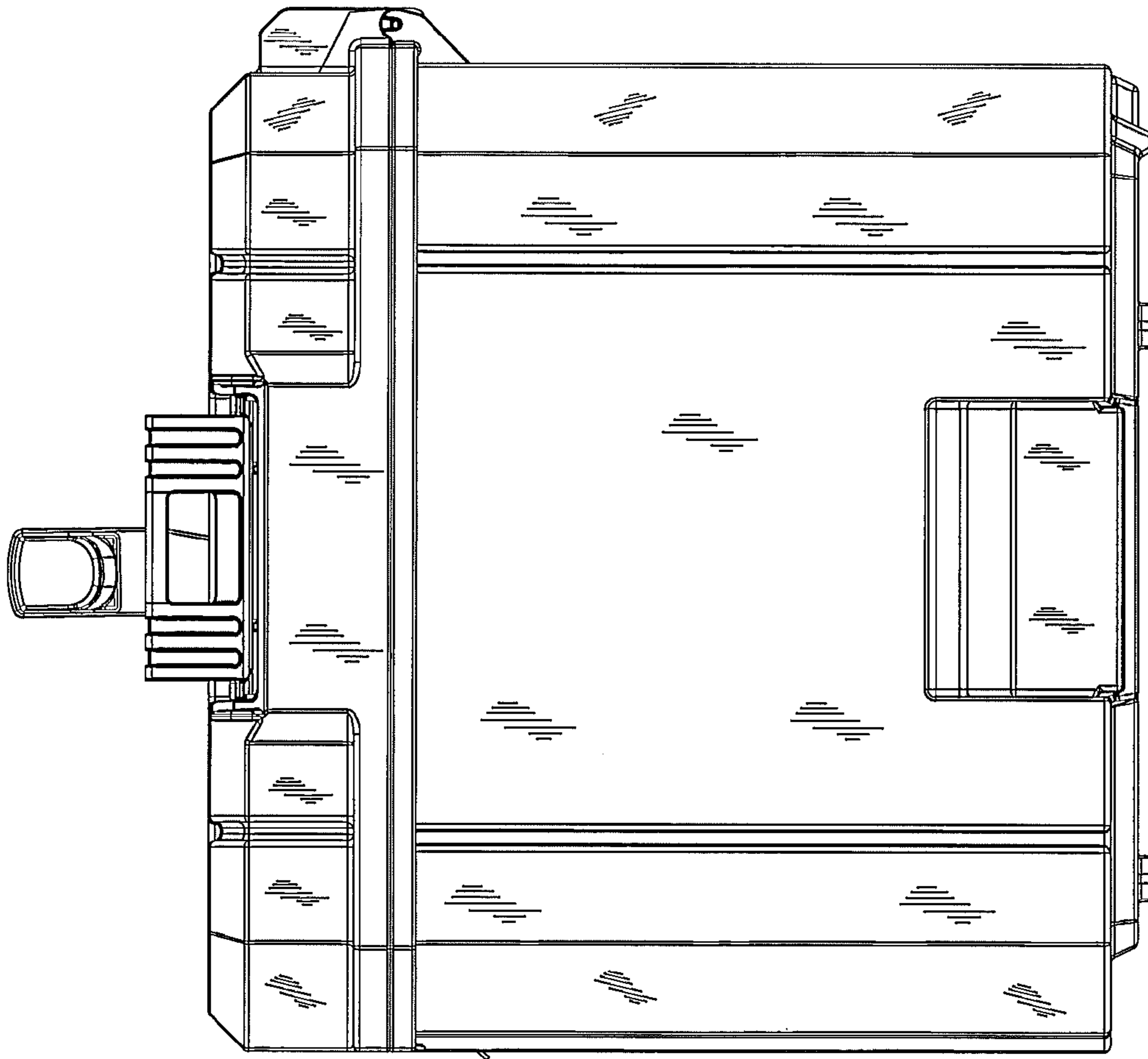


FIG.5

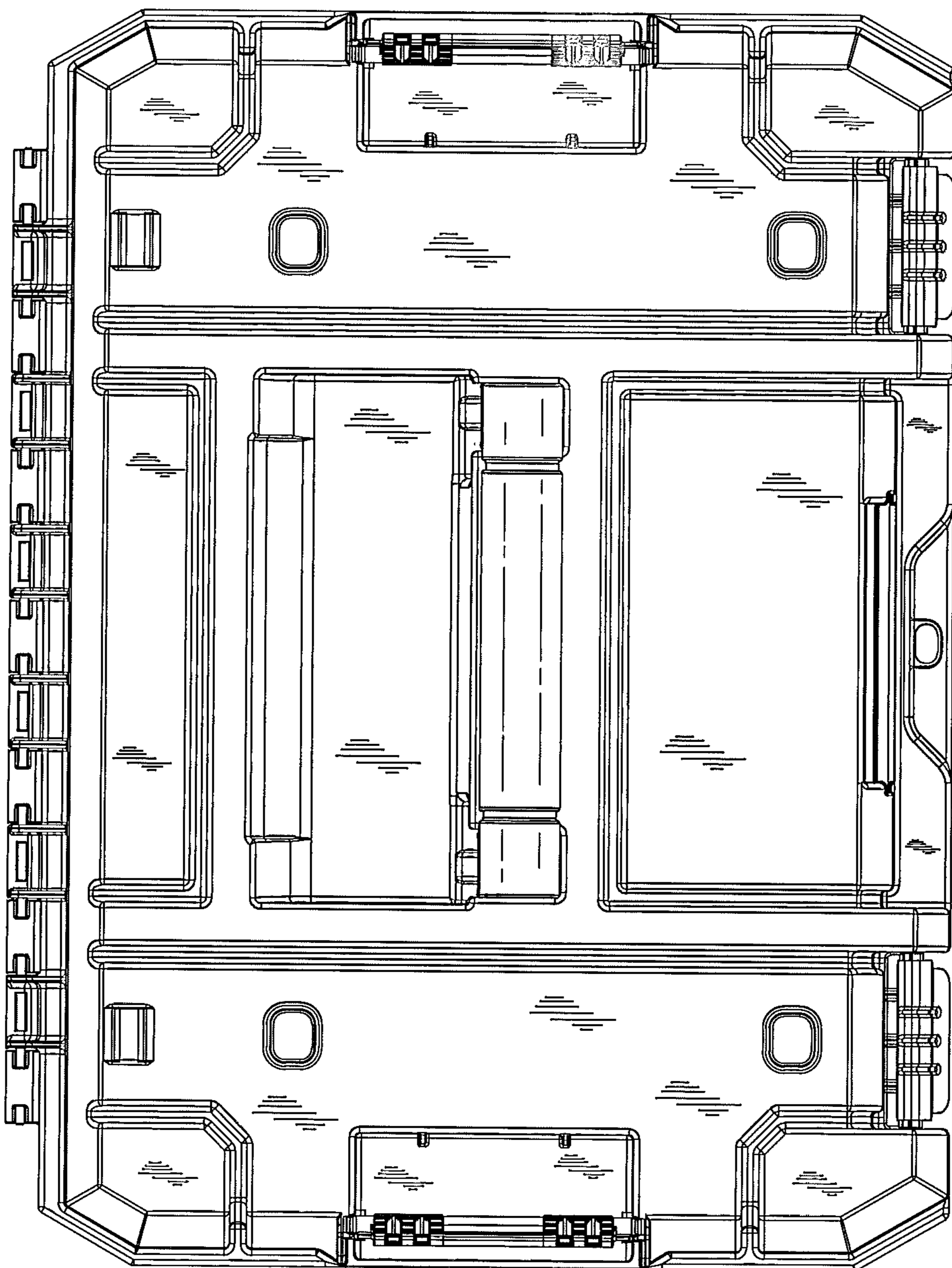


FIG.6

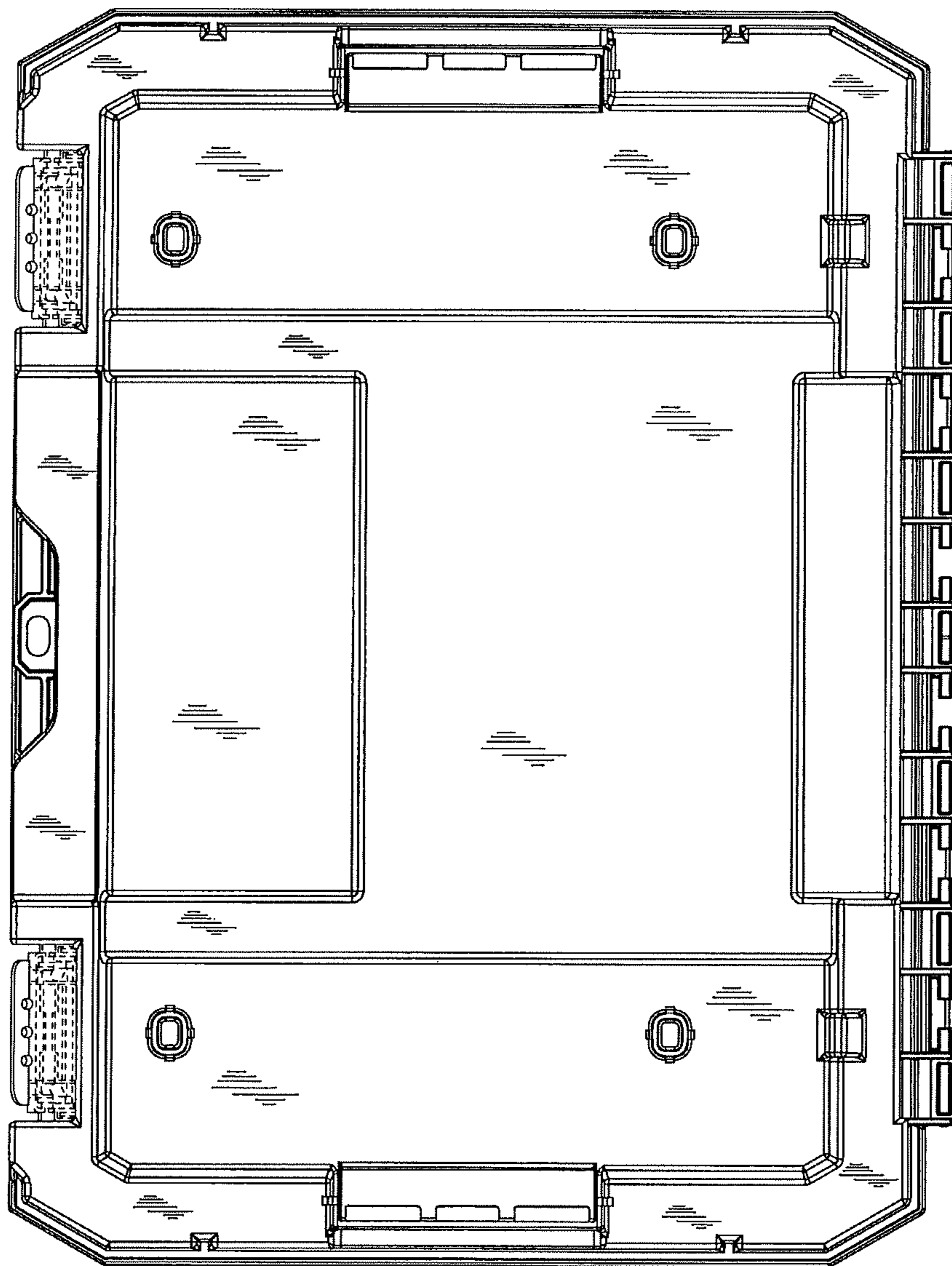


FIG. 7