



US00D738103S

(12) **United States Design Patent**
White

(10) **Patent No.:** **US D738,103 S**
(45) **Date of Patent:** **** Sep. 8, 2015**

(54) **CANE TIP**

(71) Applicant: **Go Steady, LLC**, Burlington, WI (US)

(72) Inventor: **Velton C. White**, Burlington, WI (US)

(73) Assignee: **Go Steady, LLC**, Burlington, WI (US)

(**) Term: **14 Years**

(21) Appl. No.: **29/494,956**

(22) Filed: **Jun. 25, 2014**

(51) **LOC (10) Cl.** **03-03**

(52) **U.S. Cl.**
USPC **D3/17**

(58) **Field of Classification Search**
USPC D3/17, 10; 135/80, 15.1, 77, 84, 66, 68,
135/71-73, 76, 82; D12/128, 130, 131,
D12/133; D21/780; D6/495; 248/519, 523,
248/539
CPC A61H 3/288; A61H 3/02; A61H 3/277;
A45B 25/021; A45B 9/04; A45B 3/00;
A47G 33/12; B60R 13/00
See application file for complete search history.

(56) **References Cited**

U.S. PATENT DOCUMENTS

D11,475 S *	10/1879	Washbourne	D3/17
D81,900 S *	8/1930	Wesley	D3/17
D132,195 S *	4/1942	Shedlo	D3/17
2,606,568 A *	8/1952	Walcot et al.	135/80
2,753,879 A *	7/1956	Rosen	135/15.1
2,910,995 A *	11/1959	Jacuzzi	135/77
3,177,884 A *	4/1965	Thro	135/77
4,135,536 A *	1/1979	Willis	135/84
4,440,186 A *	4/1984	Lottner	135/84
4,899,771 A	2/1990	Wilkinson		
4,947,882 A	8/1990	Levasseur		
D324,945 S	3/1992	Pina		

D324,946 S	3/1992	Karten		
D412,615 S	8/1999	Brightbill et al.		
D417,070 S *	11/1999	Wylar	D3/17
6,131,593 A	10/2000	Greene et al.		
6,557,188 B1	5/2003	Peterson		
D476,803 S	7/2003	Margolis		
6,877,520 B2 *	4/2005	Morris	135/77

(Continued)

FOREIGN PATENT DOCUMENTS

JP	D1351176	*	2/2009
JP	D1372594	*	11/2009
JP	D1425602	*	10/2010

OTHER PUBLICATIONS

Crutch Tips by Award Prosthetics, Announced Jan. 30, 2011, [Site Visited Jul. 1, 2015] <http://www.awardprosthetics.com/c-tips.html>.*

(Continued)

Primary Examiner — Eric Goodman
Assistant Examiner — Luqman McNeil
(74) *Attorney, Agent, or Firm* — Dorr, Carson & Birney, PC

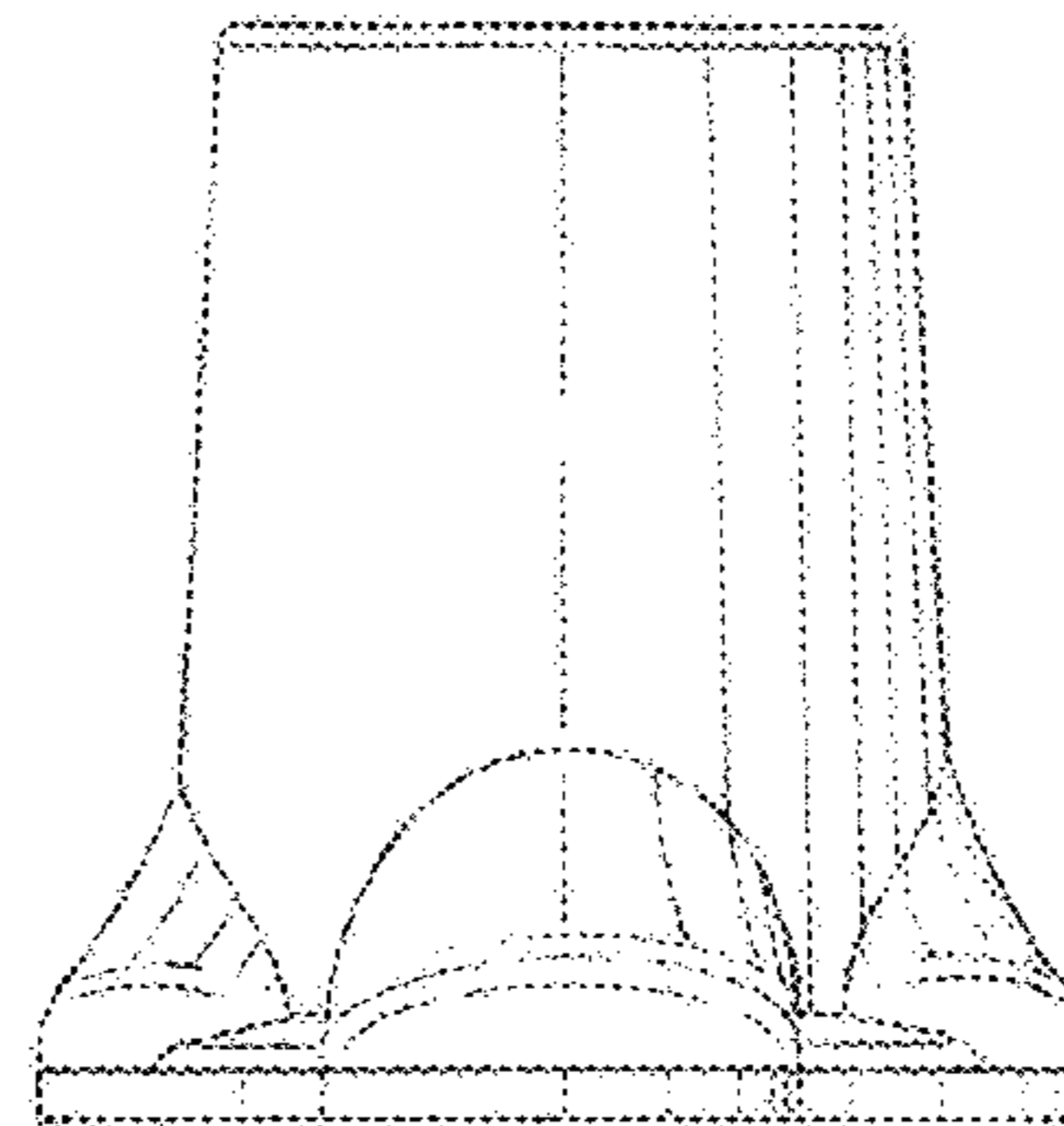
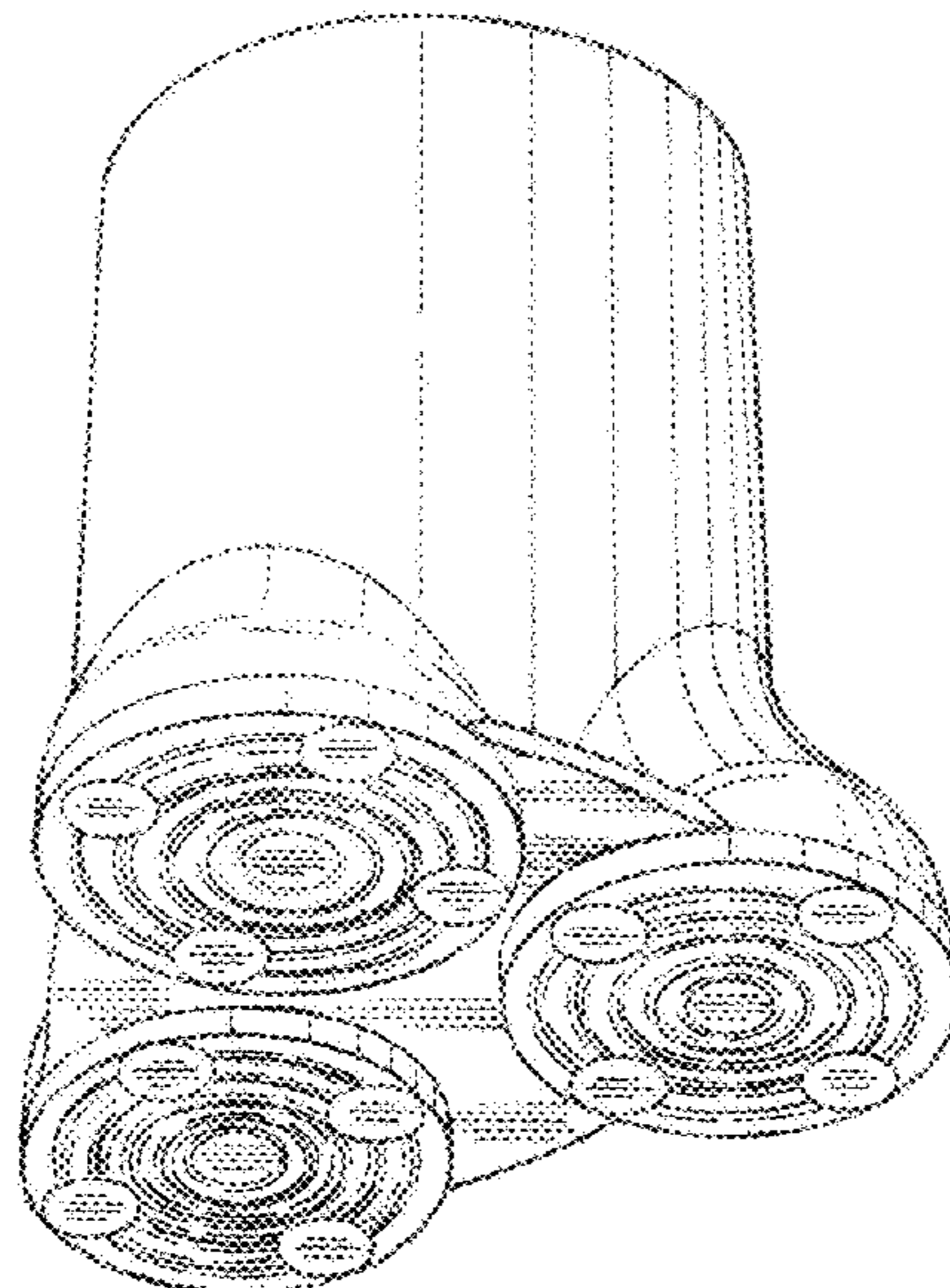
(57) **CLAIM**

The ornamental design for a cane tip, as shown and described.

DESCRIPTION

FIG. 1 is a bottom perspective view thereof.
FIG. 2 is a front elevational view thereof.
FIG. 3 is a bottom view thereof.
FIG. 4 is a right side elevational view thereof, with the left side elevational view being a mirror image of FIG. 4.
FIG. 5 is a rear elevational view thereof; and,
FIG. 6 is a top view thereof.
The broken line showing is included for the purpose of illustrating portions of the cane tip and forms no part of the claimed design.

1 Claim, 4 Drawing Sheets



(56)

References Cited

U.S. PATENT DOCUMENTS

6,883,530 B2 * 4/2005 Kawakami 135/84
D513,862 S 1/2006 Kivela
D522,232 S 6/2006 Karasin et al.
D560,904 S * 2/2008 Browne D3/17
D570,094 S * 6/2008 Wainwright D3/17
D576,402 S 9/2008 White
D587,003 S 2/2009 Shinohara
D587,894 S * 3/2009 Wainwright D3/10
7,686,025 B1 3/2010 Dowling
D618,453 S * 6/2010 Jiang D3/17
D635,351 S 4/2011 White

8,166,990 B2 * 5/2012 Daily 135/84
D668,447 S * 10/2012 Lai D3/17
8,464,737 B2 * 6/2013 La Chimia 135/66

OTHER PUBLICATIONS

Juvo 7/8 Inch Stand Up Cane Tip, Announced 09/27/2012, [Site Visited Jul. 1, 2015] <http://www.mobility-aids.com/juvo-stand-up-cane-tip-78.html>.
Collections Etc., Hurrycane, The all-terrain cane, Item #97059, retrieved online on May 21, 2014 at URL:<http://www.collectionsetc.com>.

* cited by examiner

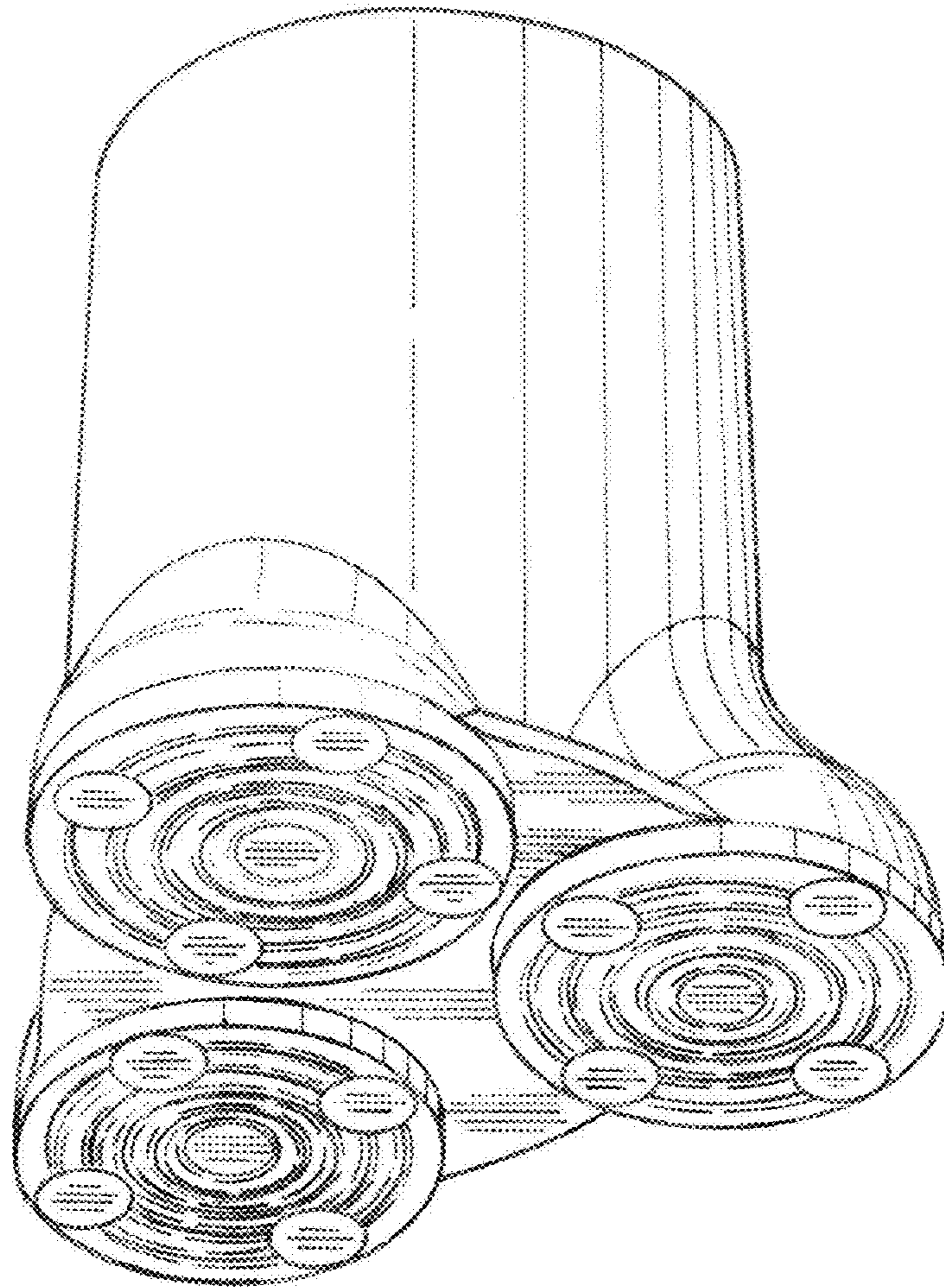


Fig. 1

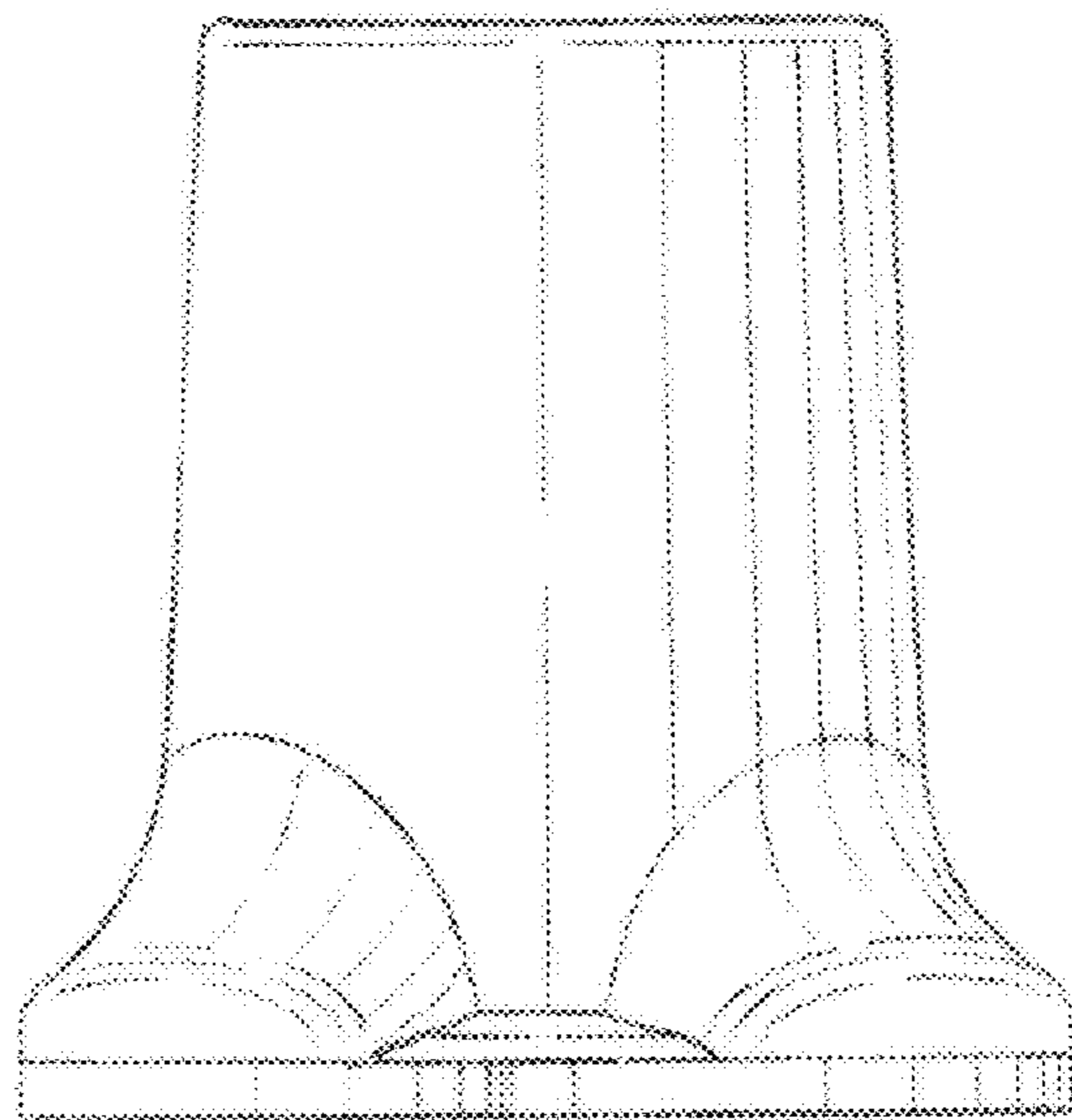


Fig. 2

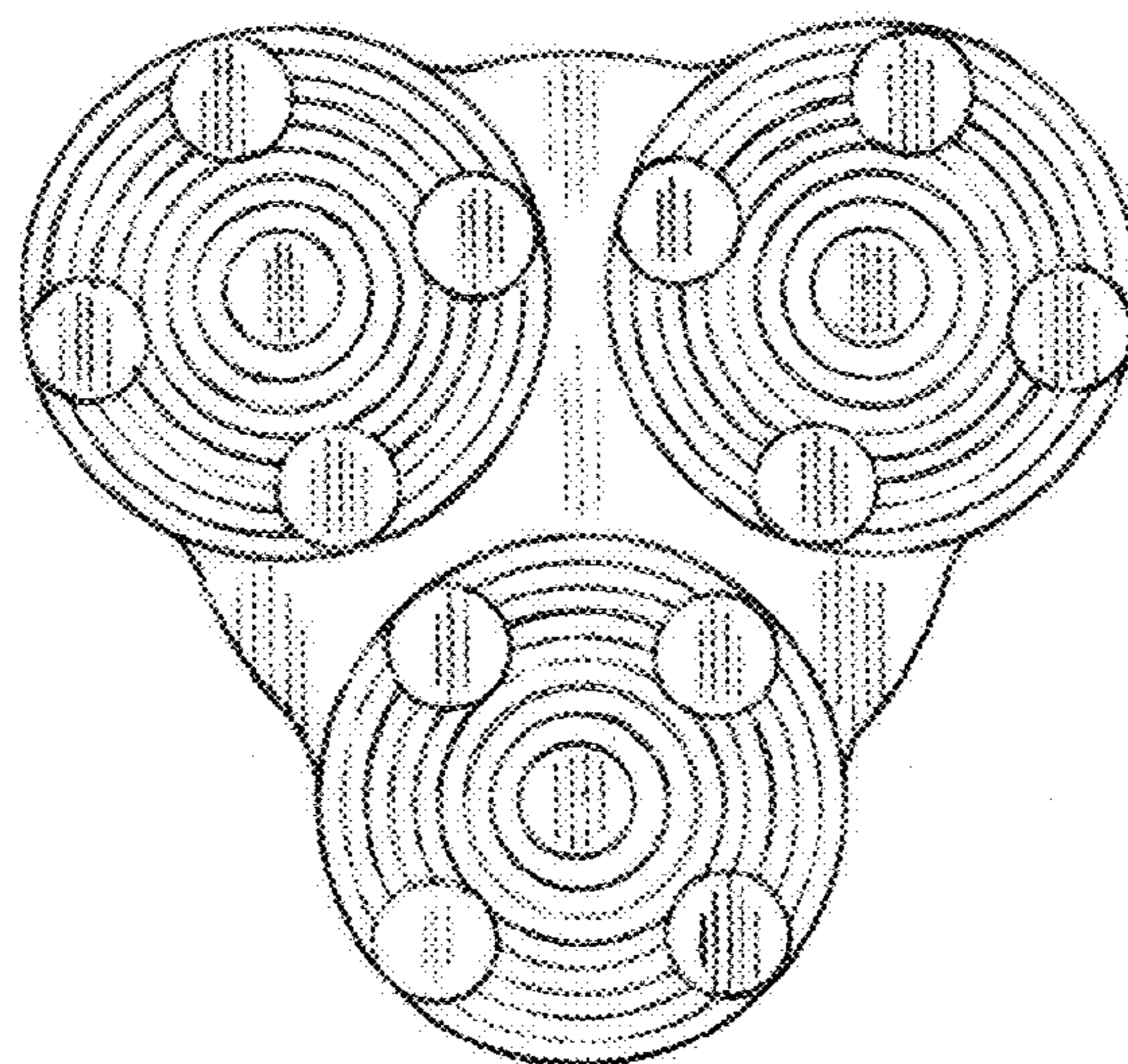


Fig. 3

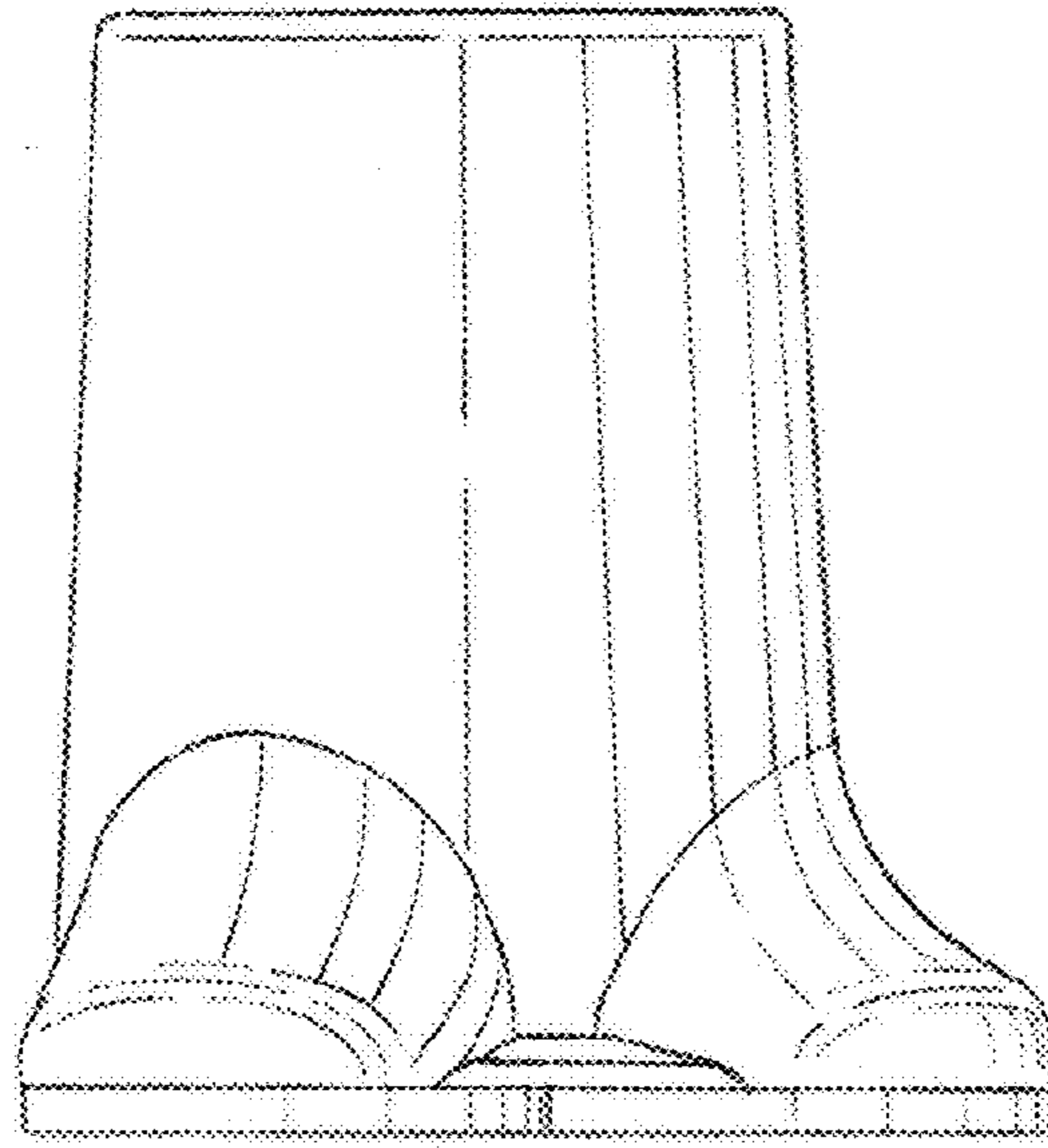


Fig. 4

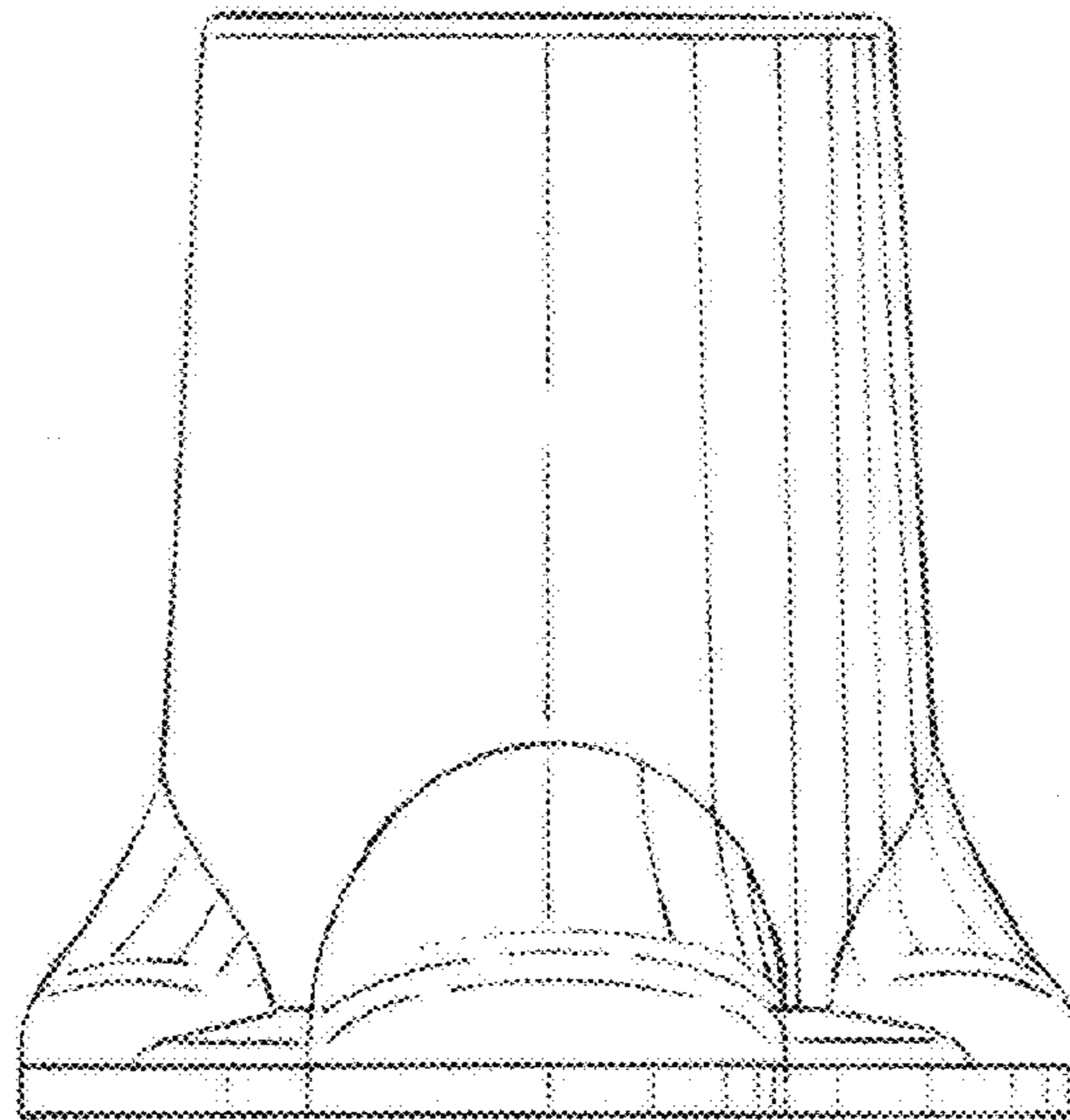


Fig. 5

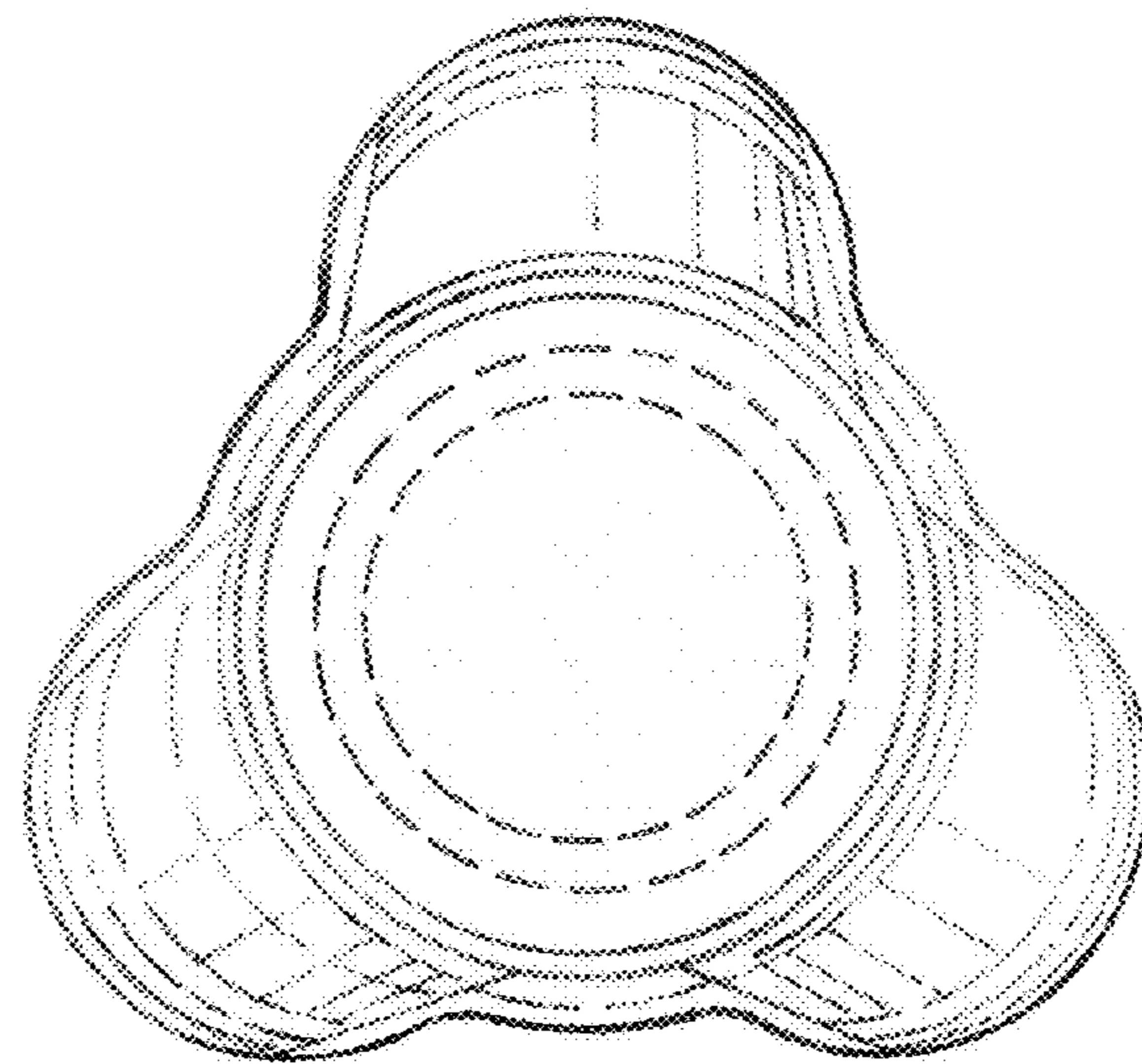


Fig. 6