



US00D738102S

(12) **United States Design Patent**
Goldszer

(10) **Patent No.:** **US D738,102 S**

(45) **Date of Patent:** **** Sep. 8, 2015**

(54) **UMBRELLA STANDPOST WITH AUGER**

(71) Applicant: **JGR Copa LLC**, Hollywood, FL (US)

(72) Inventor: **Jacob Goldszer**, Hollywood, FL (US)

(73) Assignee: **JGR Copa LLC**, Hollywood, FL (US)

(**) Term: **14 Years**

(21) Appl. No.: **29/485,865**

(22) Filed: **Mar. 24, 2014**

(51) **LOC (10) Cl.** **03-03**

(52) **U.S. Cl.**
USPC **D3/17**

(58) **Field of Classification Search**

USPC D3/17, 10; D8/1, 388, 349, 40, 38, 7;
D15/28; 175/385, 18, 323; 248/530,
248/499, 533, 156; 52/127.5, 156, 165,
52/153; 135/16; 119/786

CPC E21B 7/16; E21B 17/22; A01K 97/10;
E04B 1/34347; A45F 3/44; E04G 21/3261;
E02D 5/80; A45B 3/00

See application file for complete search history.

(56) **References Cited**

U.S. PATENT DOCUMENTS

495,471 A 4/1893 Brown
906,438 A 12/1908 Lemerand

(Continued)

FOREIGN PATENT DOCUMENTS

CA 144559 * 11/2012
CN 3163042 * 10/2000

(Continued)

OTHER PUBLICATIONS

My Problem With The Rabbit Corkscrew From Metrokane,
Announced Jul. 10, 2011, [Site Visited Jun. 4, 2015] <http://rabbitcorkscrew.olmifon.net/the-rabbit-corkscrew-a-more-recent-history-of-the-corkscrew/>.*

(Continued)

Primary Examiner — Eric Goodman

Assistant Examiner — Luqman McNeil

(74) *Attorney, Agent, or Firm* — Robert C. Kain, Jr.

(57) **CLAIM**

I claim the ornamental design for umbrella standpost with auger, as shown and described.

DESCRIPTION

FIG. 1 is a front elevational view of the umbrella standpost with auger with its grip arms in a collapsed position.

FIG. 2 is a rear elevational view of the umbrella standpost shown in FIG. 1.

FIG. 3 is a left-side view of the umbrella standpost shown in FIG. 1.

FIG. 4 is a right-side view of the umbrella standpost shown in FIG. 1.

FIG. 5 is a top view of the umbrella standpost shown in FIG. 1.

FIG. 6 is a bottom view of the umbrella standpost shown in FIG. 1.

FIG. 7 is a front elevational view of the umbrella standpost with auger with its grip arms in an extended position.

FIG. 8 is a rear elevational view of the umbrella standpost shown in FIG. 7.

FIG. 9 is a left-side view of the umbrella standpost shown in FIG. 7.

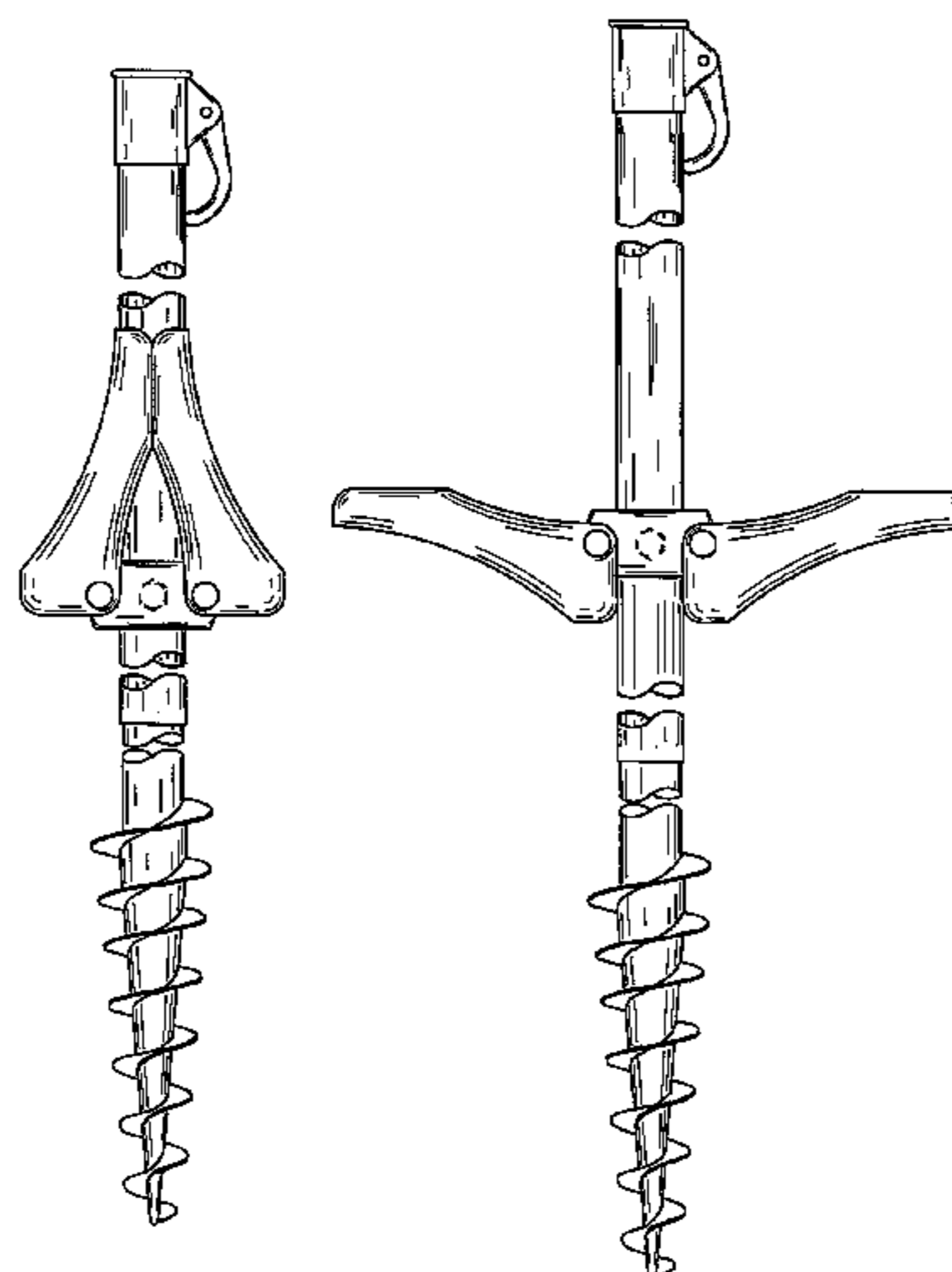
FIG. 10 is a right-side view of the umbrella standpost shown in FIG. 7.

FIG. 11 is a top view of the umbrella standpost shown in FIG. 7; and,

FIG. 12 is a bottom view of the umbrella standpost shown in FIG. 7.

The broken line showing is included for the purpose of illustrating portions of the umbrella standpost with auger and forms no part of the claimed design.

1 Claim, 9 Drawing Sheets



(56)

References Cited

U.S. PATENT DOCUMENTS

946,060 A * 1/1910 Looker 175/385
 2,103,948 A 12/1937 Jones
 2,211,283 A 8/1940 Mercer
 D125,279 S * 2/1941 Levin D3/17
 2,441,109 A 5/1948 Carlson
 2,628,797 A 2/1953 Campomar
 2,643,843 A 6/1953 Brown
 2,983,345 A * 5/1961 Langer 52/127.5
 3,318,560 A 5/1967 Garrette, Jr. et al.
 3,572,045 A 3/1971 Owen
 3,710,523 A 1/1973 Taylor
 4,105,039 A 8/1978 Schultes et al.
 4,702,047 A * 10/1987 Stokes 52/156
 4,753,411 A 6/1988 Cechner et al.
 4,832,304 A 5/1989 Morgulis
 4,850,564 A 7/1989 Padin
 4,920,897 A 5/1990 Reed et al.
 5,046,699 A 9/1991 Perreault et al.
 5,098,057 A 3/1992 Gran et al.
 5,122,014 A 6/1992 Genfan
 5,139,219 A 8/1992 Navarro
 5,152,495 A 10/1992 Jacinto et al.
 5,156,369 A 10/1992 Tizzoni
 5,224,310 A * 7/1993 Edwards et al. 52/165
 5,230,187 A 7/1993 Reimann
 5,271,196 A 12/1993 Fanti
 5,293,889 A 3/1994 Hall et al.
 5,358,209 A 10/1994 Ward
 D359,213 S * 6/1995 Entwistle D8/42
 5,454,435 A 10/1995 Reinhardt
 5,457,918 A 10/1995 Plourde
 5,482,246 A 1/1996 Derkoski
 D368,211 S * 3/1996 Skold D8/1
 5,662,304 A 9/1997 McDaniel
 5,749,386 A 5/1998 Samuel, Jr.
 D398,363 S 9/1998 LoBue
 D402,803 S 12/1998 Goldberg et al.
 5,906,077 A 5/1999 Andiarena
 D421,532 S 3/2000 Koroncai
 6,032,880 A 3/2000 Verrills et al.

6,076,617 A * 6/2000 Berner 175/18
 6,199,569 B1 3/2001 Gibson
 6,263,622 B1 * 7/2001 Griffin et al. 52/153
 6,321,861 B1 11/2001 Leichter
 D456,131 S 4/2002 Dotson, Jr.
 6,412,235 B1 7/2002 Pylant
 6,685,155 B1 2/2004 Chen
 7,007,703 B2 3/2006 Brooks, III.
 D518,286 S 4/2006 Santos
 D524,329 S * 7/2006 Sheperd D15/28
 7,191,996 B2 3/2007 Patsalaridis
 D546,167 S * 7/2007 Noethe D8/349
 7,264,210 B2 9/2007 Yu
 D576,003 S * 9/2008 Patrizio et al. D8/40
 7,503,541 B2 3/2009 Harold et al.
 D593,315 S * 6/2009 Zemel D3/10
 D621,675 S * 8/2010 Molina D8/38
 D623,914 S * 9/2010 van der Lande D8/38
 D624,370 S * 9/2010 Motosko D8/7
 D630,834 S 1/2011 Cohen
 2006/0272687 A1 12/2006 Tanner et al.

FOREIGN PATENT DOCUMENTS

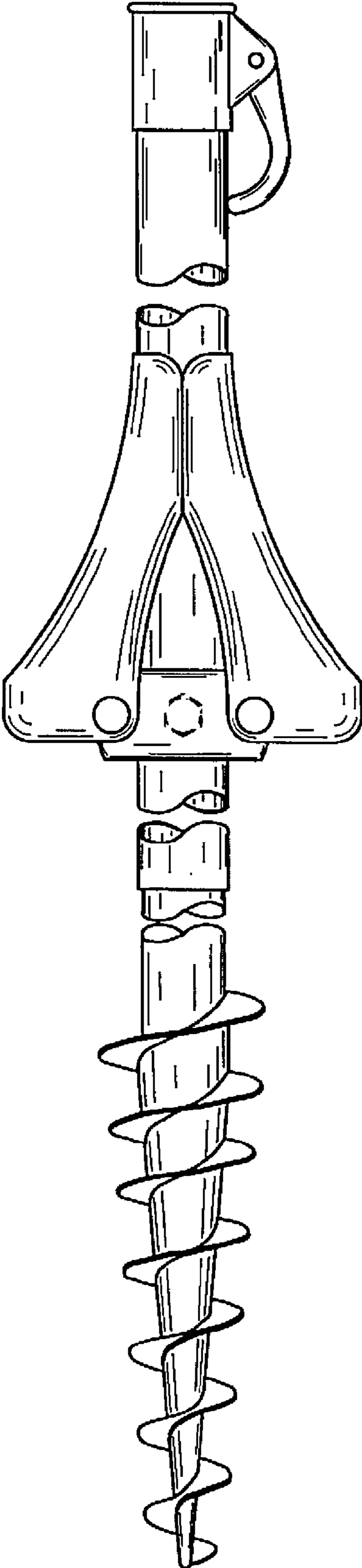
CN 301664043 * 9/2011
 GB 2092539 * 5/2000
 GB 2094518 * 10/2000

OTHER PUBLICATIONS

Other Customers Suggested Quick & Easy In-Ground Umbrella Stand Pole Holder—Tiki Torches, Canopy, Announced Mar. 24, 2013, [Site Visited Jun. 4, 2015] <http://umbrellastandforyou.blogspot.com/2013/05/other-customers-suggested-quick-easy-in.html>.
 Beach Umbrella Guide at Beachstore.com, Announced Sep. 8, 2011, [Site Visited Jun. 4, 2015] <http://www.beachstore.com/Buyers-Guide/Beach-Umbrellas-Guide>.
 Baby Center Community : Ban26ana, Announced Jun. 06, 2012, [Site Visited Jun. 4, 2015] http://community.babycenter.com/post/a33887674/taking_2_yr_old_to_the_beach?cpg=3.

* cited by examiner

FIG.1



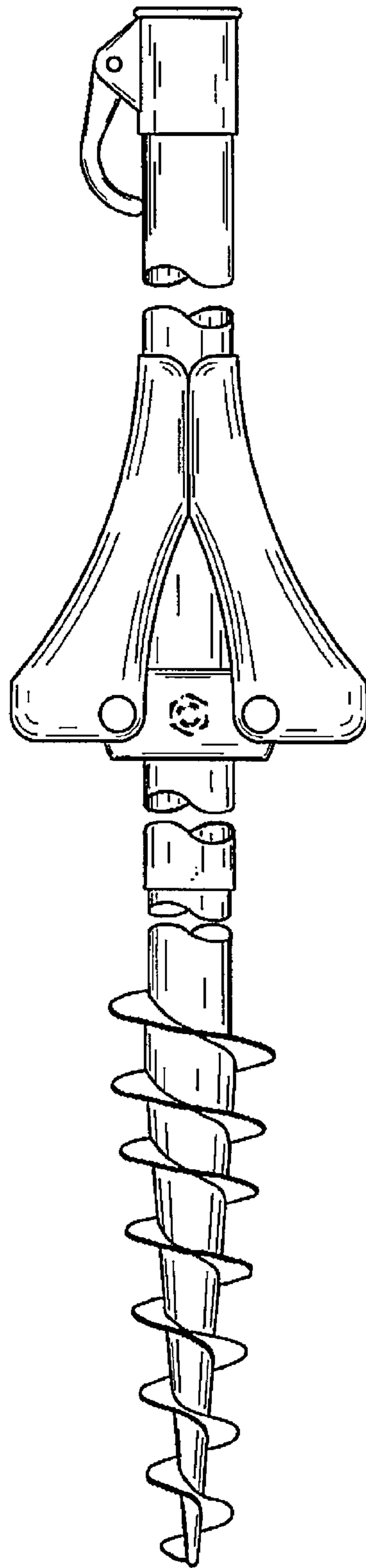


FIG.2

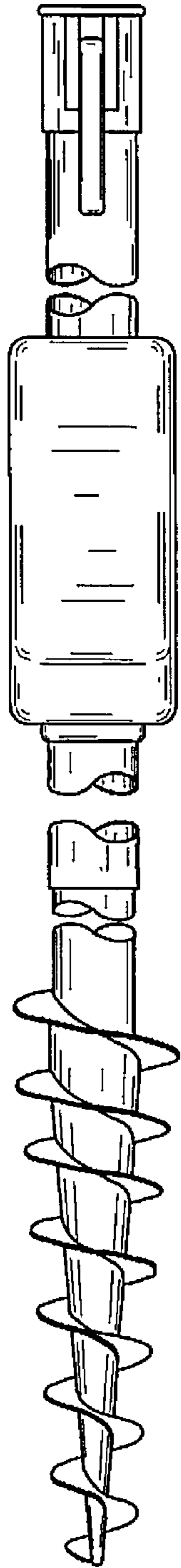


FIG.3

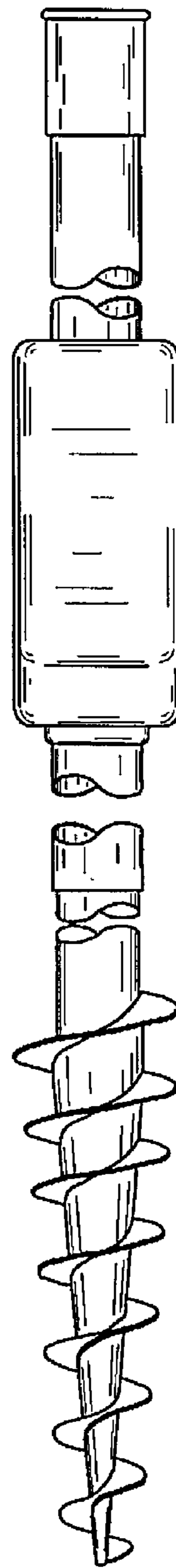


FIG.4

FIG.6

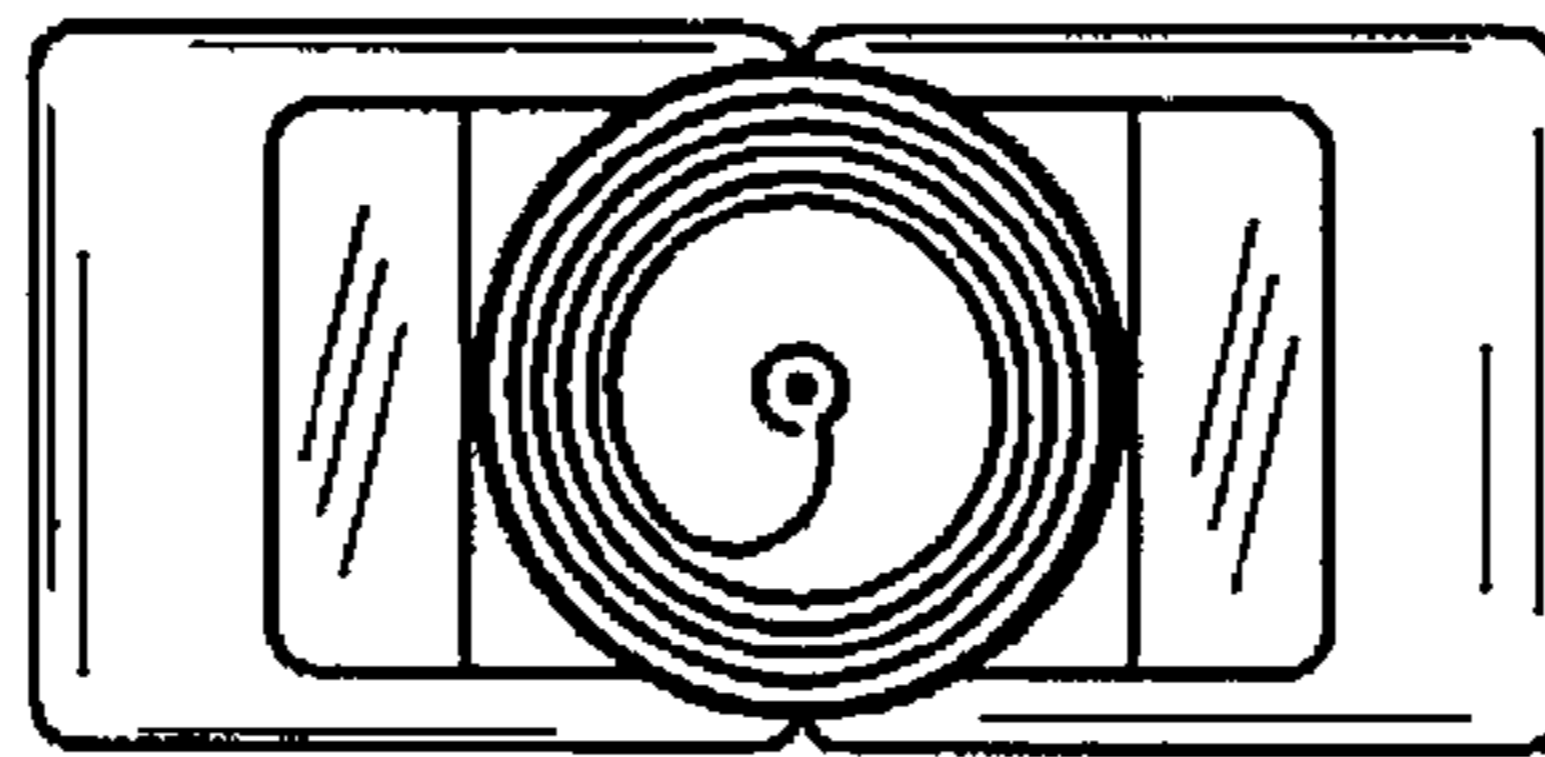
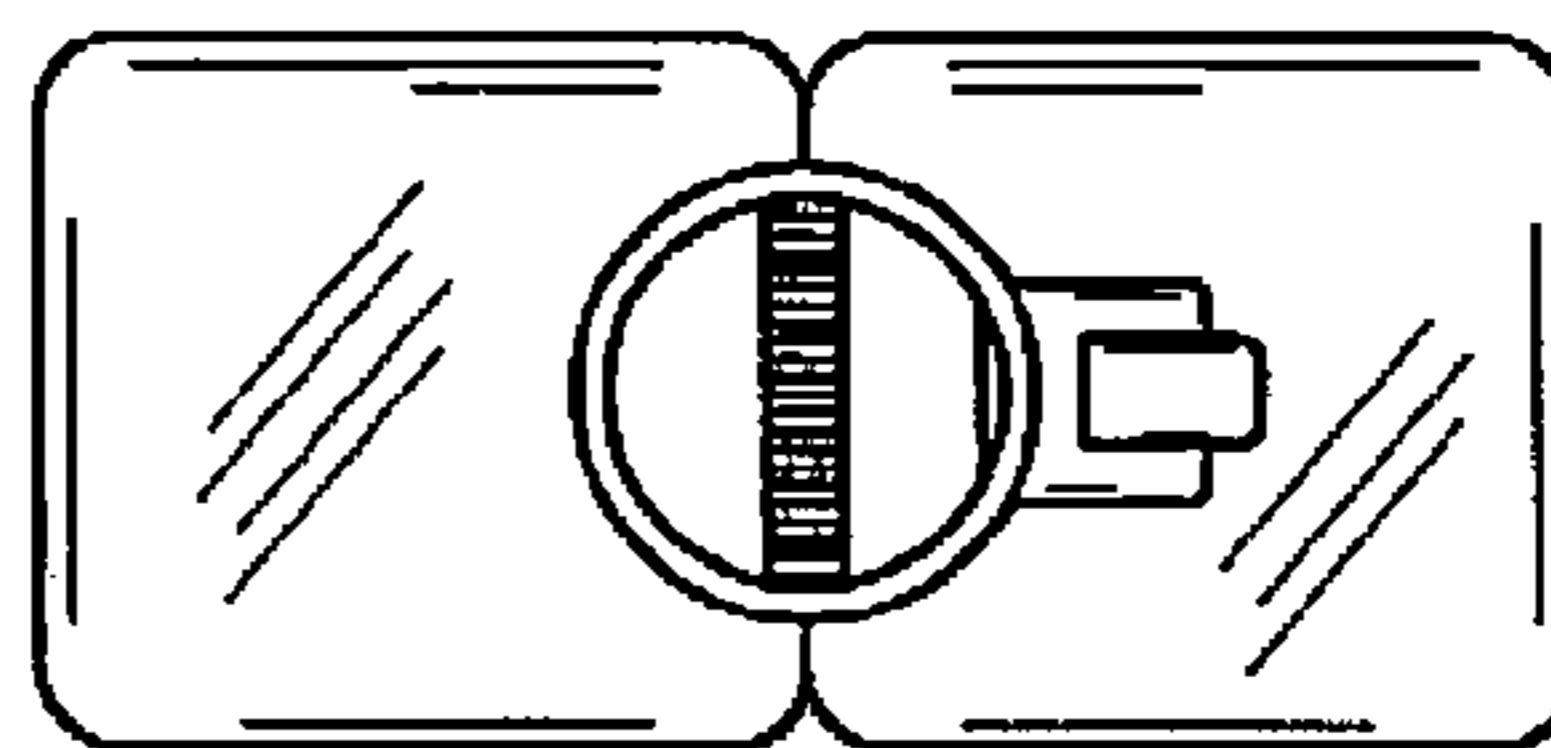


FIG.5



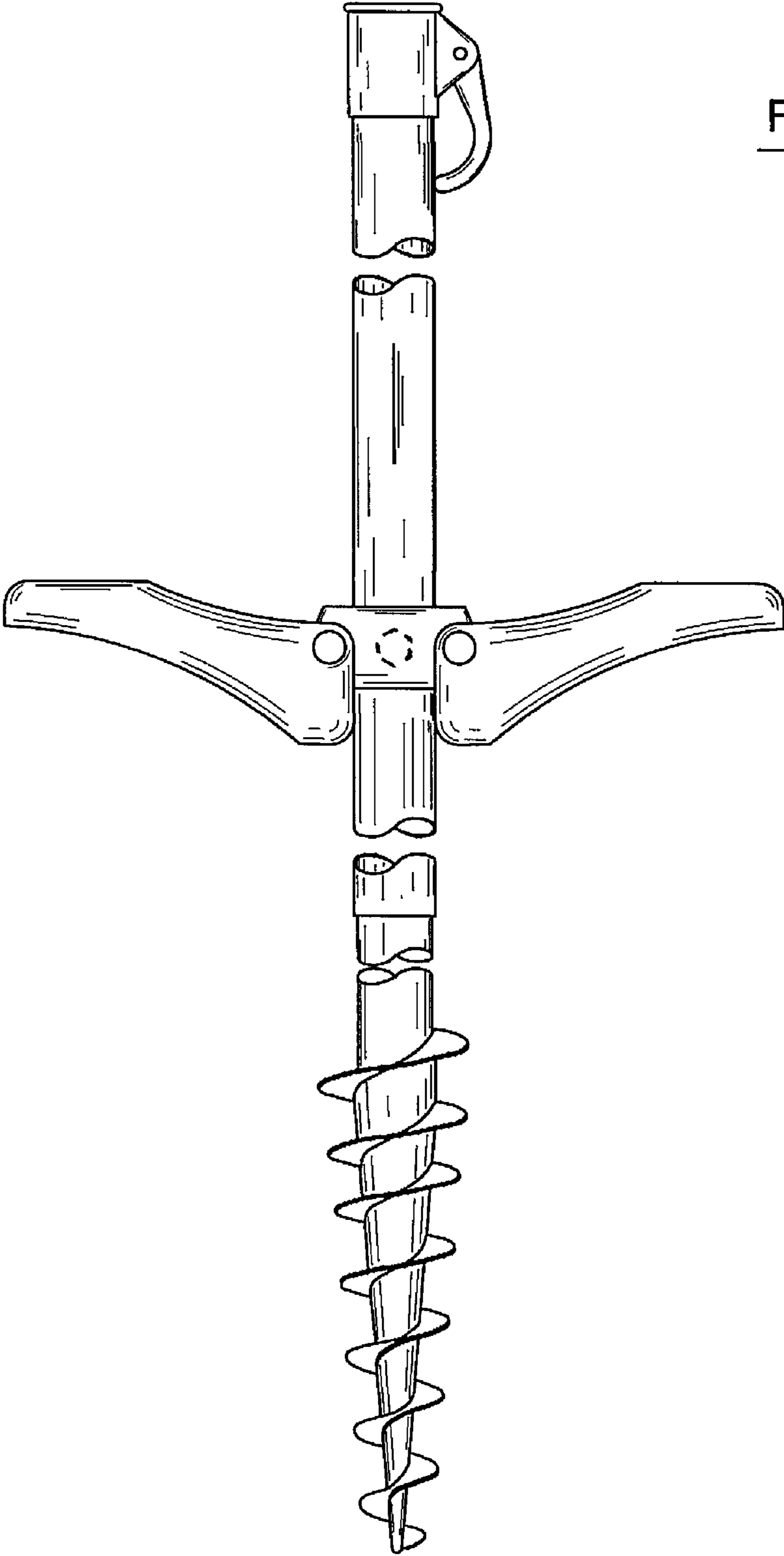


FIG.7

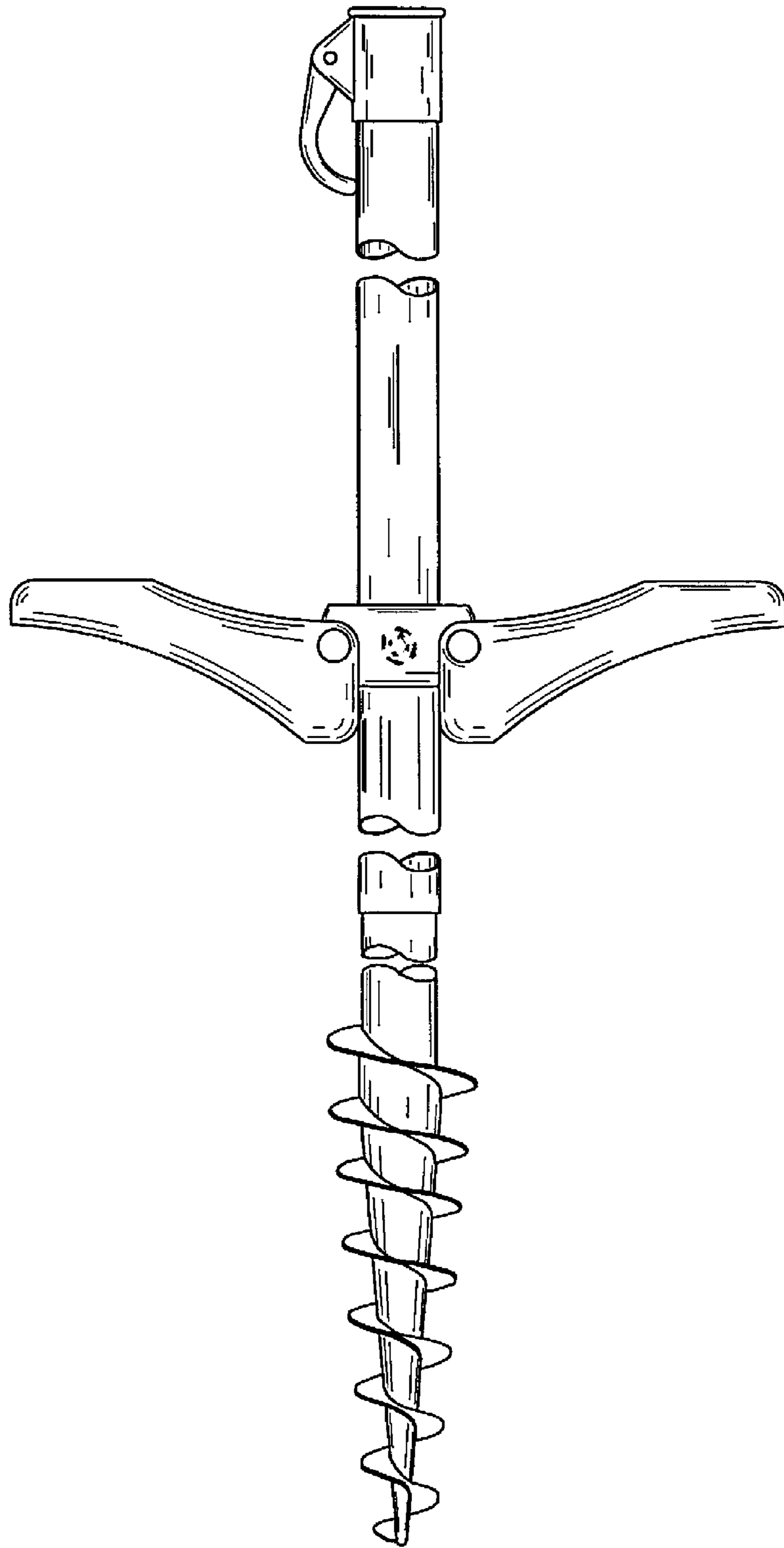


FIG.8

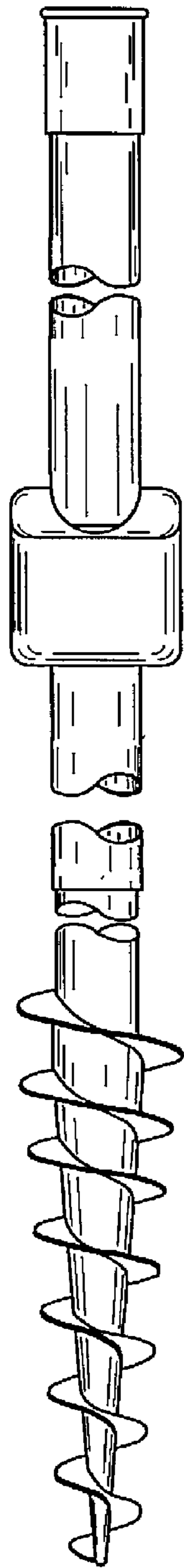


FIG.9

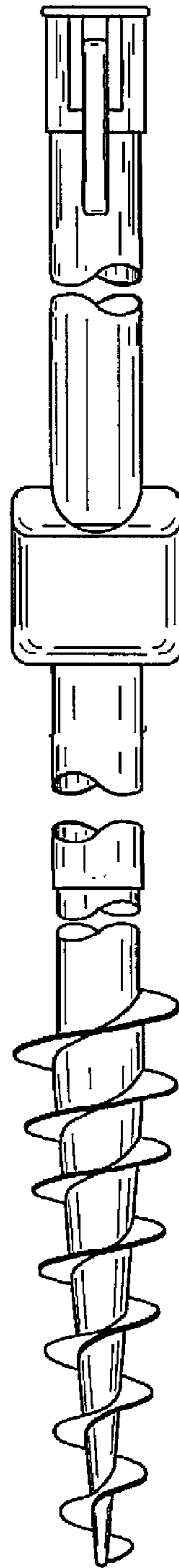


FIG.10

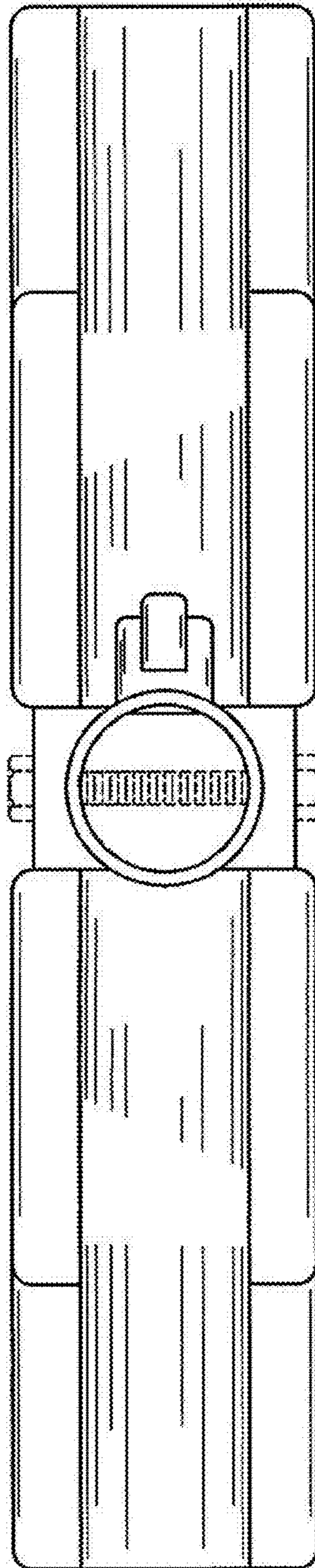


FIG. 11

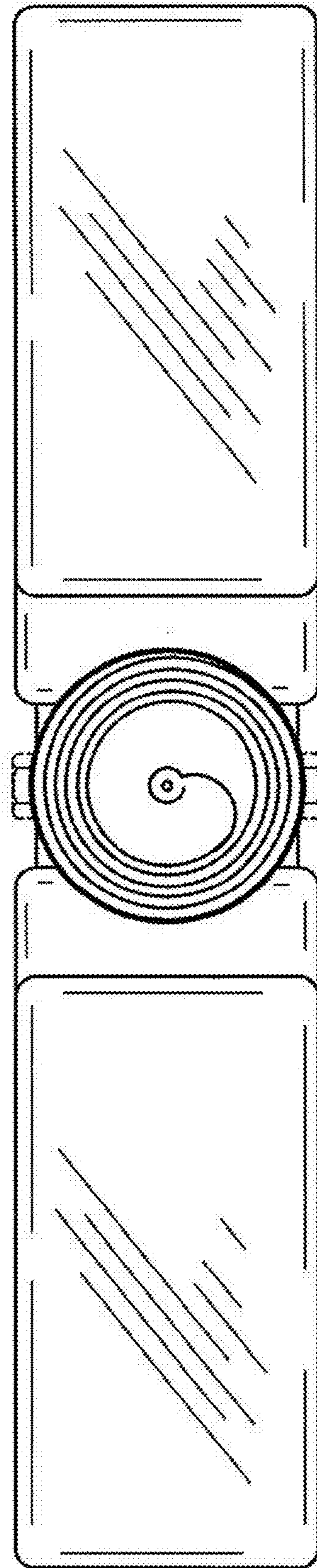


FIG. 12