



US00D738101S

(12) **United States Design Patent**  
**Pildes**

(10) **Patent No.:** **US D738,101 S**

(45) **Date of Patent:** **\*\* Sep. 8, 2015**

(54) **FINAL**

(71) Applicant: **Miranda Leigh Pildes**, Brooklyn, NY  
(US)

(72) Inventor: **Miranda Leigh Pildes**, Brooklyn, NY  
(US)

(\*\*) Term: **14 Years**

(21) Appl. No.: **29/463,477**

(22) Filed: **Dec. 9, 2013**

**Related U.S. Application Data**

(63) Continuation of application No. 29/395,137, filed on  
Dec. 2, 2011, now abandoned.

(51) **LOC (10) Cl.** ..... **03-03**

(52) **U.S. Cl.**  
USPC ..... **D3/12; D3/16; D6/312**

(58) **Field of Classification Search**  
USPC ..... D3/5, 10, 12, 13, 16; 135/15.1, 21,  
135/25.4, 25.41, 76, 65, 66; D8/300, 303,  
D8/310, 307, 312, 313  
See application file for complete search history.

(56) **References Cited**

**U.S. PATENT DOCUMENTS**

D23,790	S	*	11/1894	Conkling	.....	D3/12
907,049	A	*	12/1908	Herold	.....	135/66
934,506	A	*	9/1909	Crane et al.	.....	135/25.4
1,443,596	A	*	1/1923	Schaefer	.....	16/441
1,446,671	A	*	2/1923	Stevenson	.....	101/405
D121,678	S	*	7/1940	Jung	.....	D9/453
2,502,984	A	*	4/1950	Parmenter	.....	135/33.7
2,819,668	A	*	1/1958	McAneny	.....	101/125

D227,251	S	*	6/1973	Botefur et al.	.....	D23/250
D276,744	S	*	12/1984	Hill et al.	.....	D23/250
D385,336	S	*	10/1997	Kolada et al.	.....	D23/250
5,725,264	A	*	3/1998	Villarreal	.....	292/347
D400,701	S	*	11/1998	Wu	.....	D3/5
D430,696	S	*	9/2000	Borders	.....	D26/113
D433,793	S	*	11/2000	San	.....	D3/12
D450,092	S	*	11/2001	Guillot	.....	D19/90
D498,719	S	*	11/2004	Yao	.....	D12/179
D508,533	S	*	8/2005	Siegel	.....	D19/90
D540,618	S	*	4/2007	Ranzoni	.....	D7/397
D583,647	S	*	12/2008	Jou	.....	D8/307
D592,036	S	*	5/2009	Domin	.....	D8/307
D620,048	S	*	7/2010	Lien	.....	D19/65
D640,120	S	*	6/2011	Zorovich et al.	.....	D8/107
D655,147	S	*	3/2012	Zorovich et al.	.....	D8/107

\* cited by examiner

*Primary Examiner* — John Windmuller

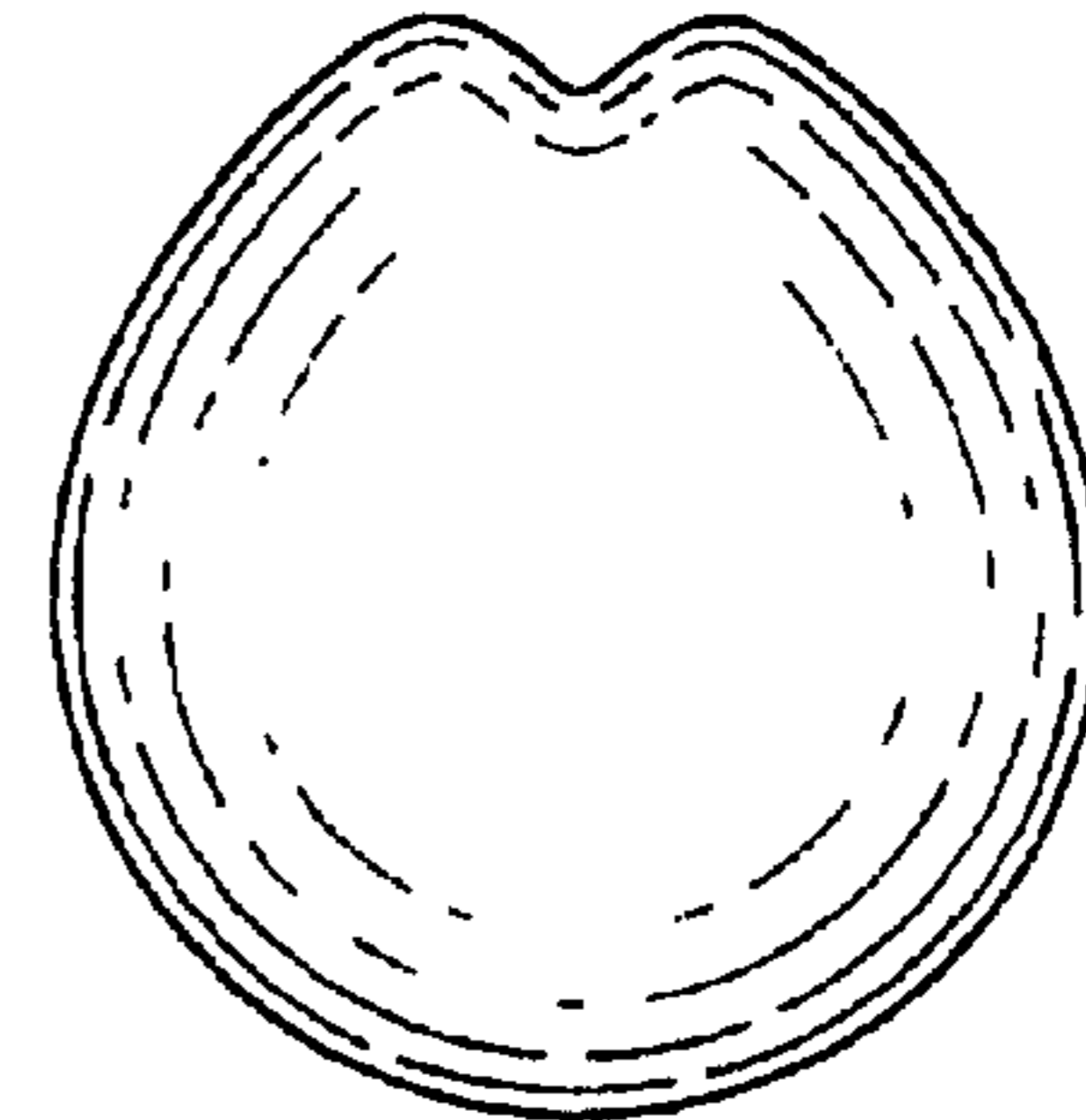
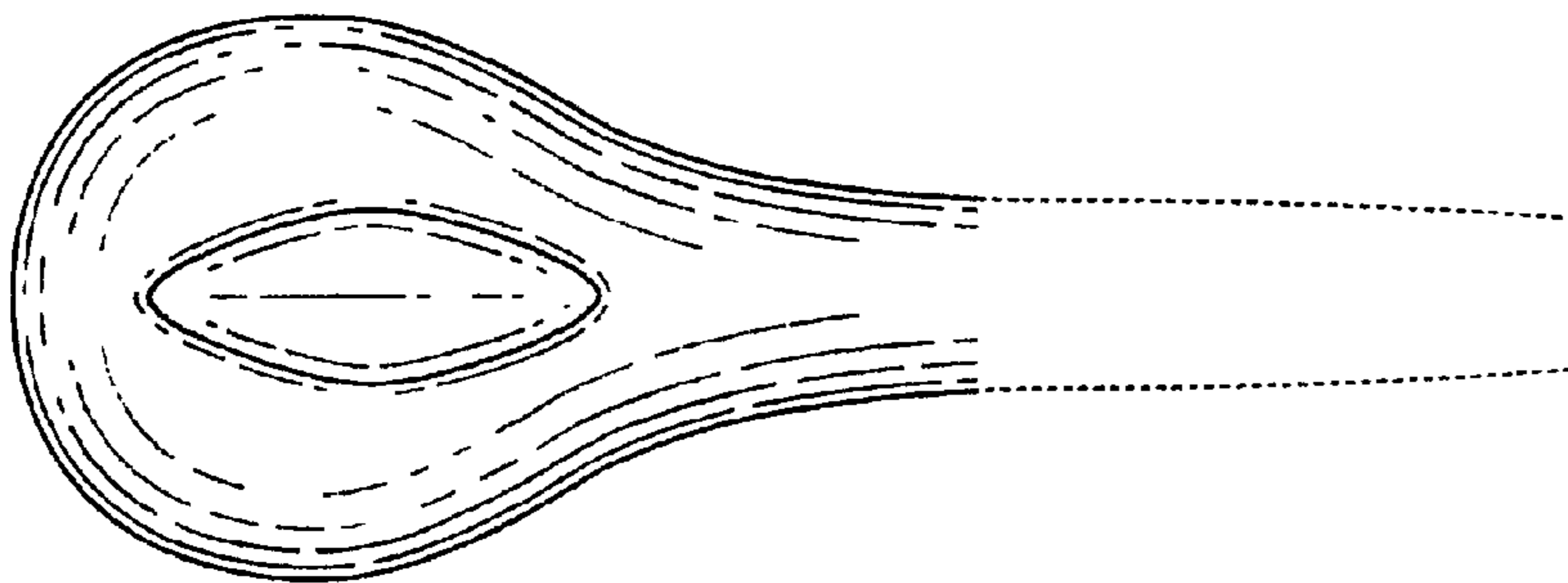
(57) **CLAIM**

The ornamental design for a finial, as shown and described.

**DESCRIPTION**

FIG. 1 is a front elevational view of a finial showing my new design;  
FIG. 2 is a rear elevational view thereof;  
FIG. 3 is a right side elevational view thereof (left side is a mirror image);  
FIG. 4 is a top plan view thereof;  
FIG. 5 is a bottom plan view thereof;  
FIG. 6 is a perspective view of my new design in use; and,  
FIG. 7 is a rear perspective view of my new design in use.  
The lighter broken lines in the figures depict a portion of the finial that is not part of the claimed design. The darker broken lines in FIGS. 6 and 7 depict environment that is not part of the claimed design

**1 Claim, 4 Drawing Sheets**



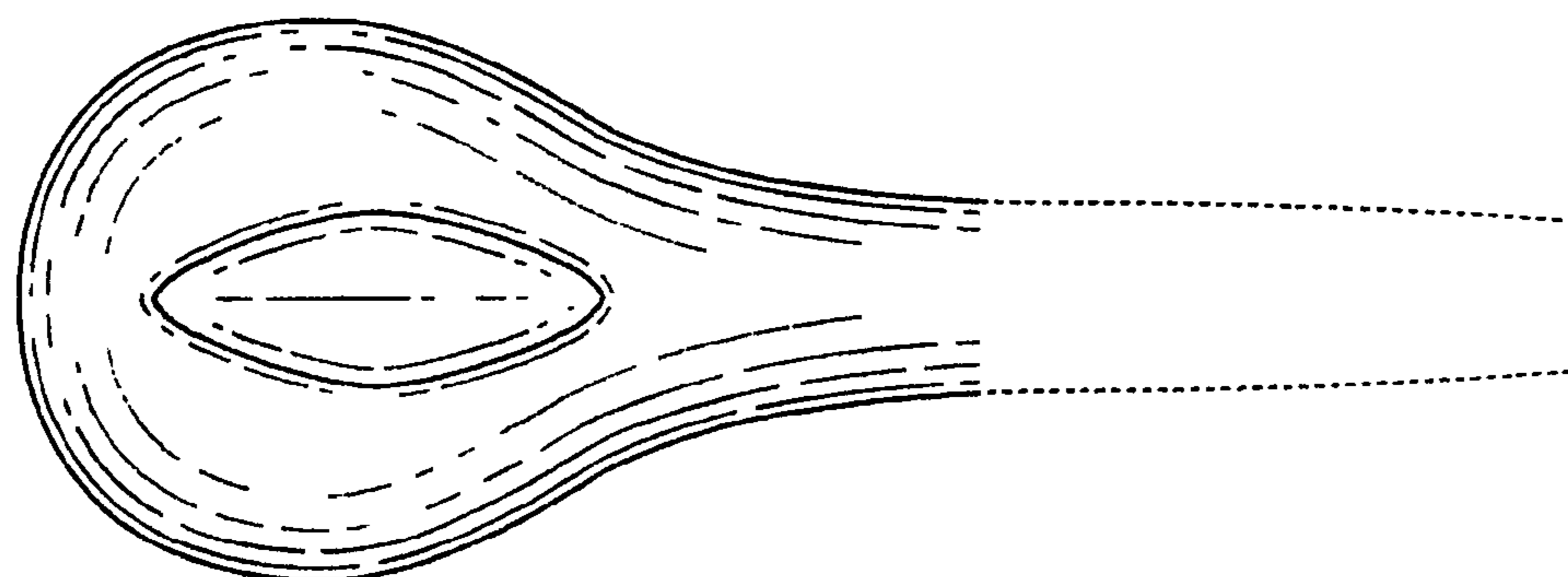


FIG. 1

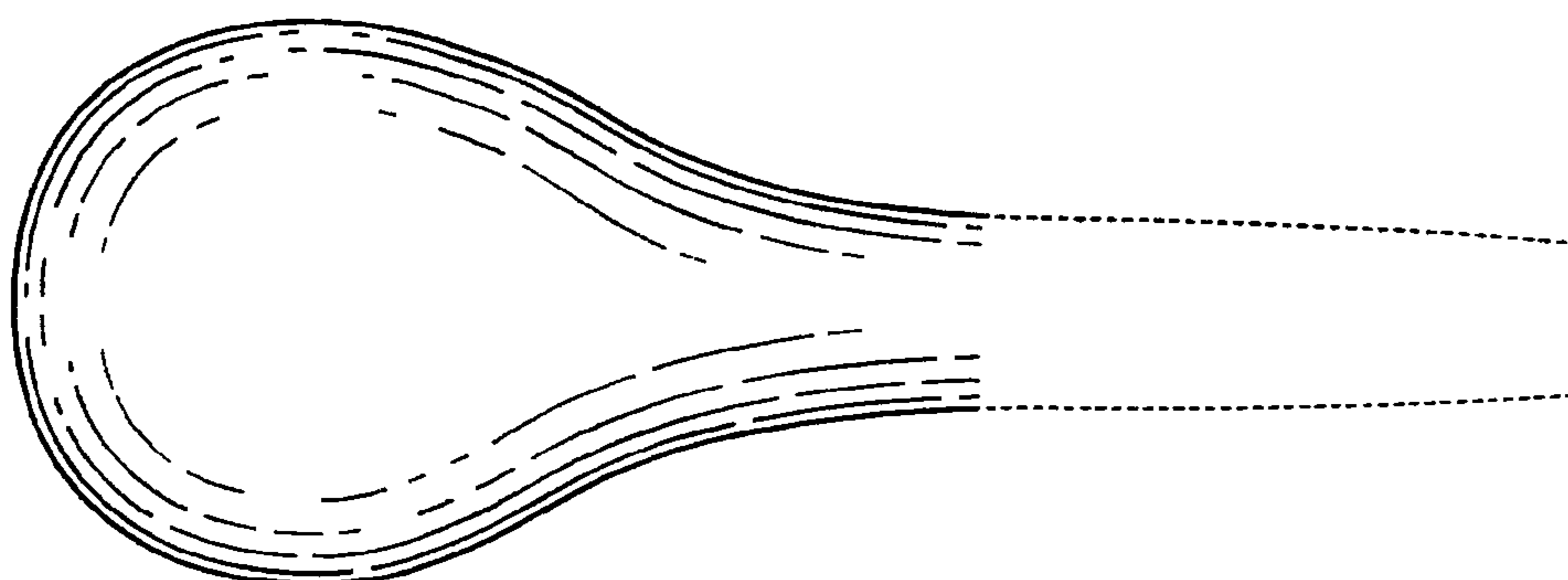


FIG. 2

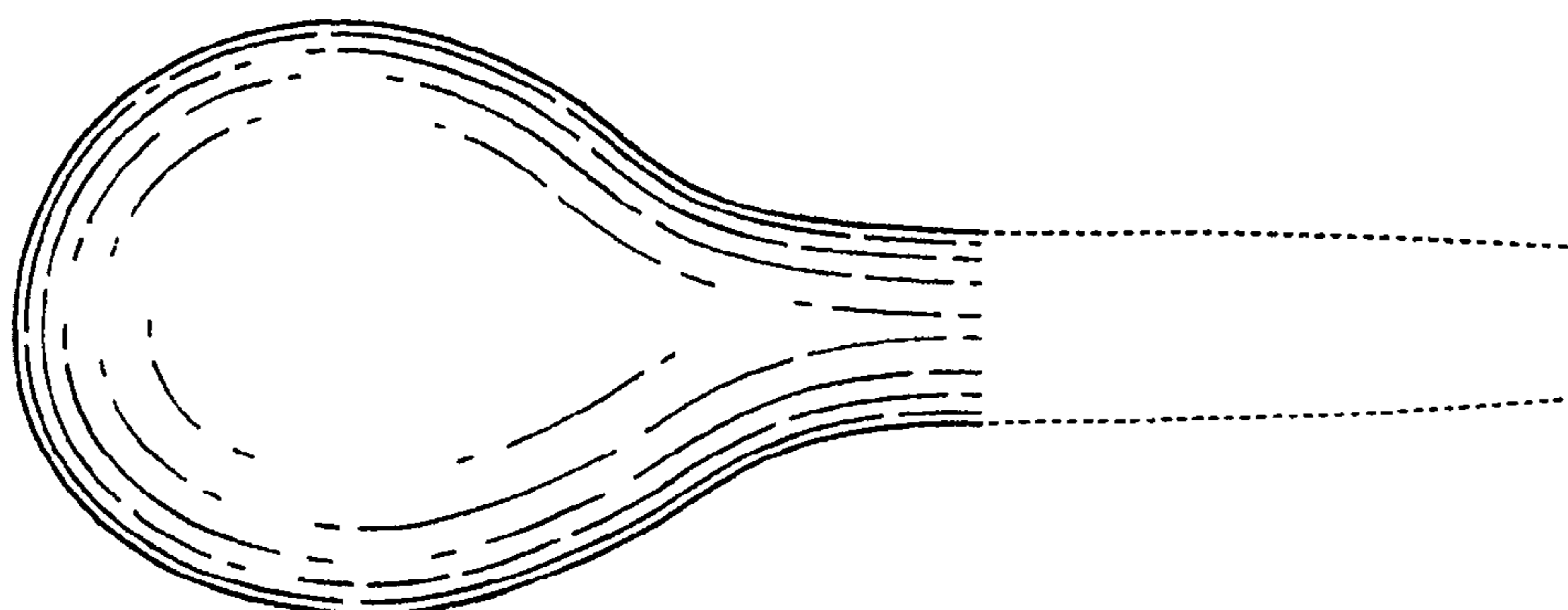


FIG. 3

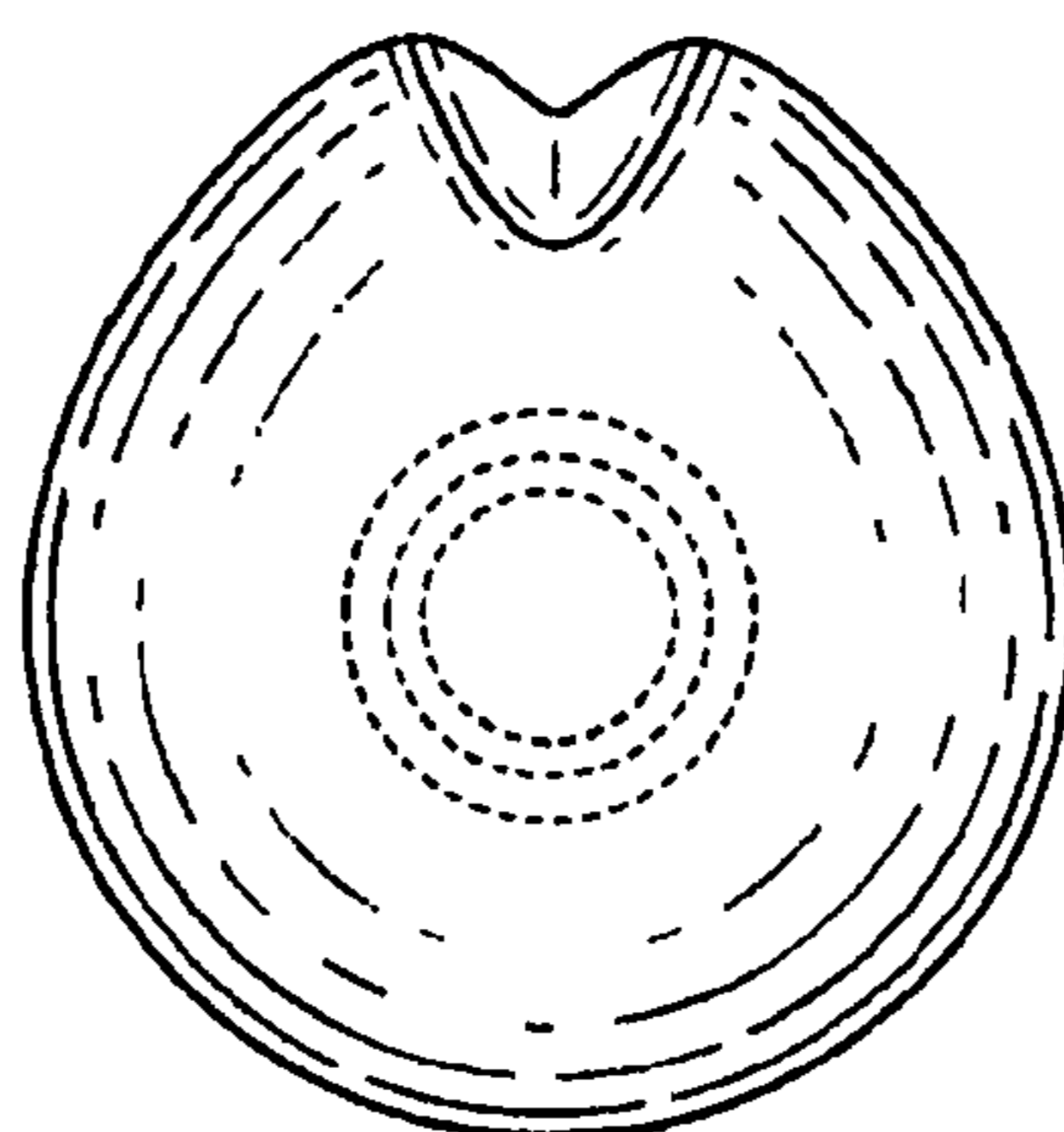


FIG. 4

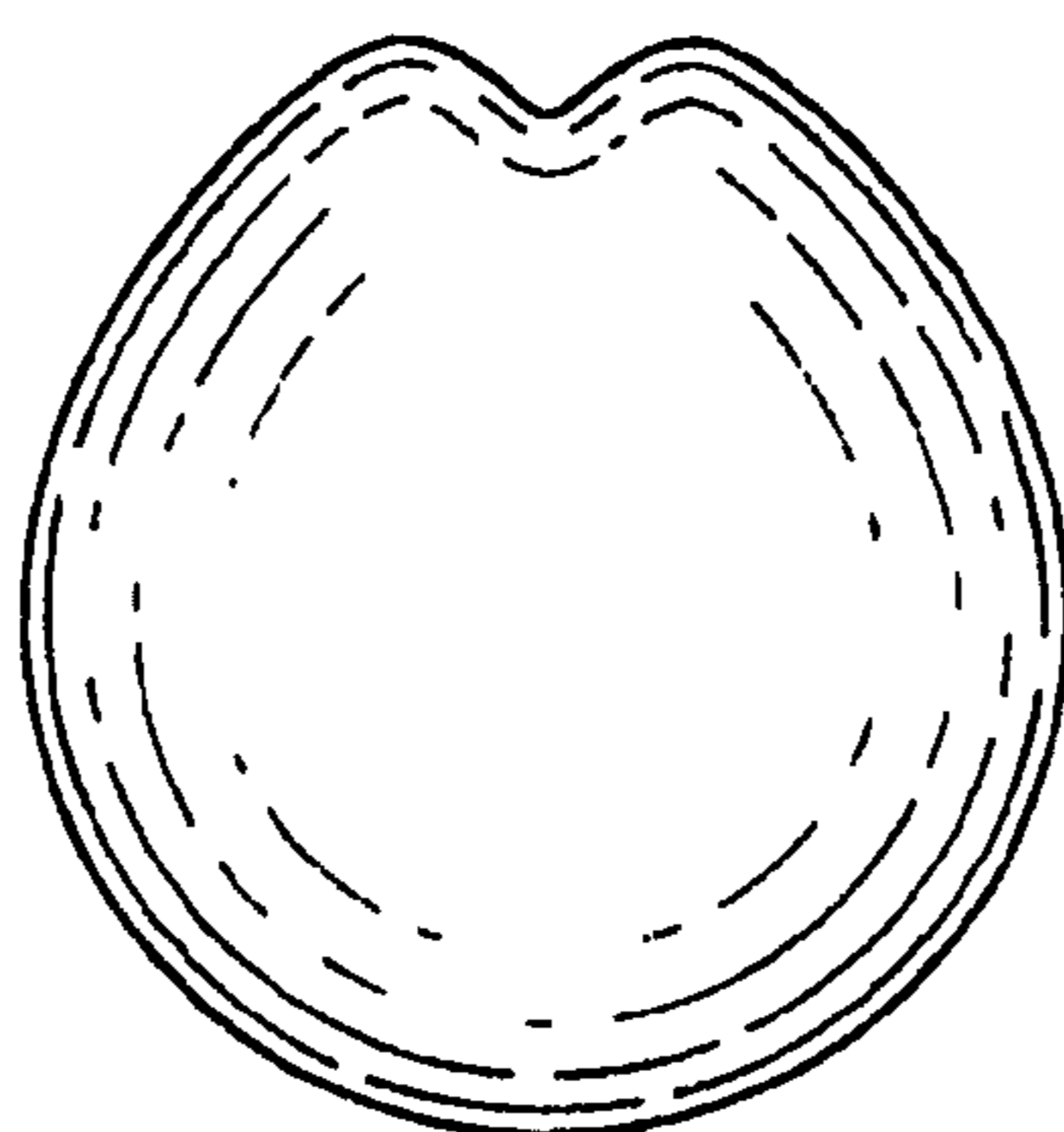


FIG. 5

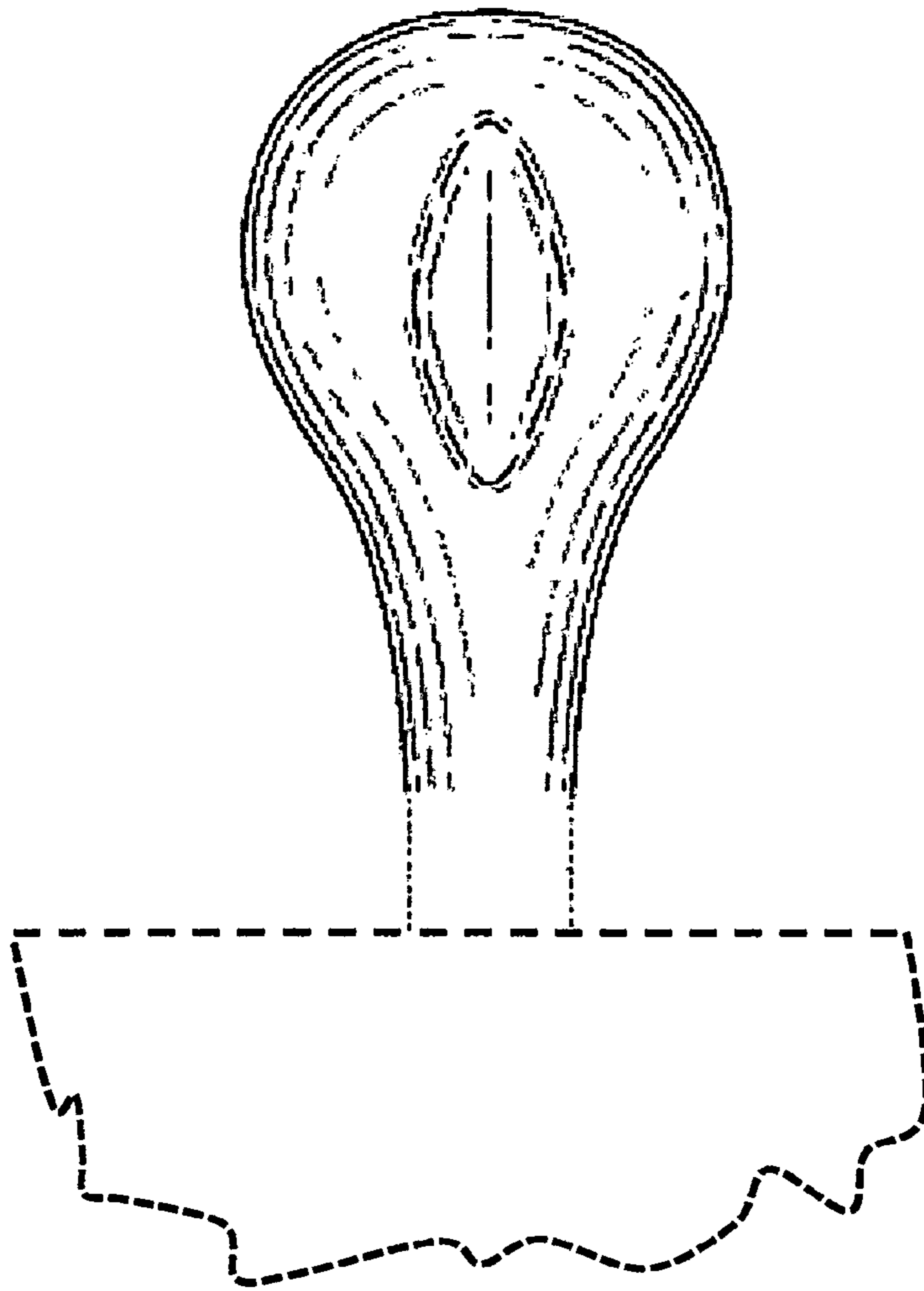


FIG. 6

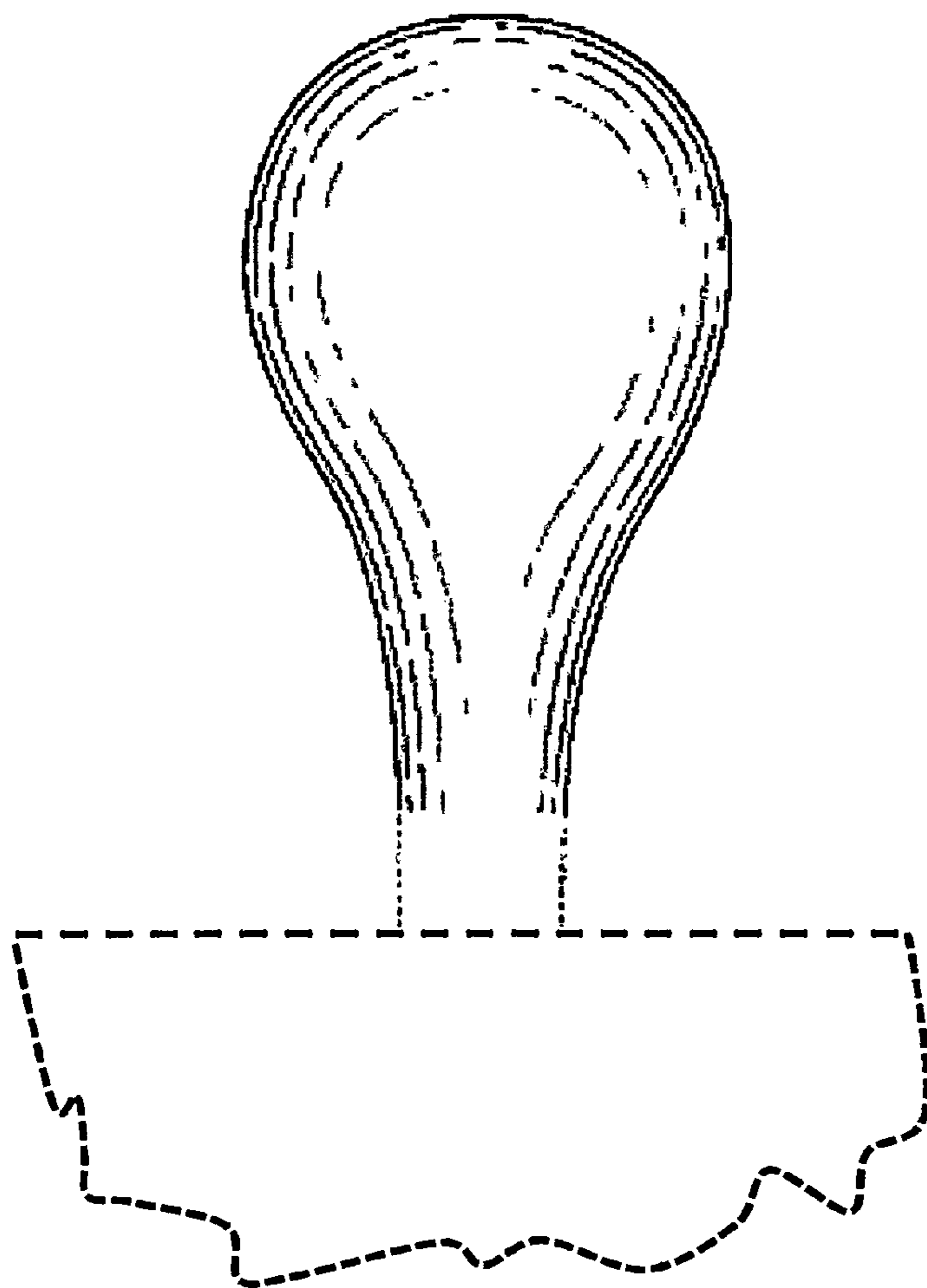


FIG. 7