



US00D738100S

(12) **United States Design Patent**
Forthuber

(10) **Patent No.:** **US D738,100 S**

(45) **Date of Patent:** **** Sep. 8, 2015**

(54) **BRACKET FOR AN UMBRELLA**

(71) Applicant: **doppler E. Doppler & Co. GmbH**,
Braunau-Ranshofen (AT)

(72) Inventor: **Herbert Forthuber**, Simbach (DE)

(73) Assignee: **doppler E. Doppler & Co. GmbH**,
Braunau-Ranshofen (AT)

(**) Term: **14 Years**

(21) Appl. No.: **29/499,933**

(22) Filed: **Aug. 20, 2014**

(51) **LOC (10) Cl.** **03-03**

(52) **U.S. Cl.**
USPC **D3/10**

(58) **Field of Classification Search**
USPC D3/10, 5; D13/131; D8/373, 370, 354,
D8/343, 396, 380; D6/323; D25/68;
D22/147; 248/65, 59, 314; 24/284;
135/39, 38; 427/421.1
CPC F16L 3/04; F16L 3/14; F16L 33/04;
A47G 7/044; A45B 25/06; A45B 25/08
See application file for complete search history.

(56) **References Cited**

U.S. PATENT DOCUMENTS

D35,029	S	*	9/1901	Ricker	D13/131
1,291,872	A	*	1/1919	Heinze	248/65
4,059,872	A	*	11/1977	Delesandri	24/284
D272,987	S	*	3/1984	Allen	D8/354
4,852,291	A	*	8/1989	Mengo	43/21.2
D311,129	S	*	10/1990	Barnhill, III	D8/373
D318,790	S	*	8/1991	Brooks	D8/370
5,145,132	A	*	9/1992	Kirschner	248/59
D330,290	S	*	10/1992	Edwards	D6/323
D345,096	S	*	3/1994	Shapiro	D8/373
D353,492	S	*	12/1994	Goodman et al.	D6/323
5,762,308	A	*	6/1998	Bryan	248/314

D419,243	S	*	1/2000	Goch	D25/68
D422,885	S	*	4/2000	Marino et al.	D8/354
D472,131	S	*	3/2003	Hubmann et al.	D8/354
D475,611	S	*	6/2003	Goodman et al.	D8/370
D479,117	S	*	9/2003	Mercier	D8/354

(Continued)

FOREIGN PATENT DOCUMENTS

EM	002031336-0001	*	5/2012
JP	D1383756	*	3/2010

(Continued)

OTHER PUBLICATIONS

Farmall Umbrella Holder—Yesterday’s Tractors: Announced Aug. 3, 2012, [Site Visited Jul. 8, 2015 <http://www.yesterdaytractors.com/cgi-bin/viewit.cgi?bd=farmall&th=878668>].*

(Continued)

Primary Examiner — Eric Goodman
Assistant Examiner — Luqman McNeil
(74) *Attorney, Agent, or Firm* — Collard & Roe, P.C.

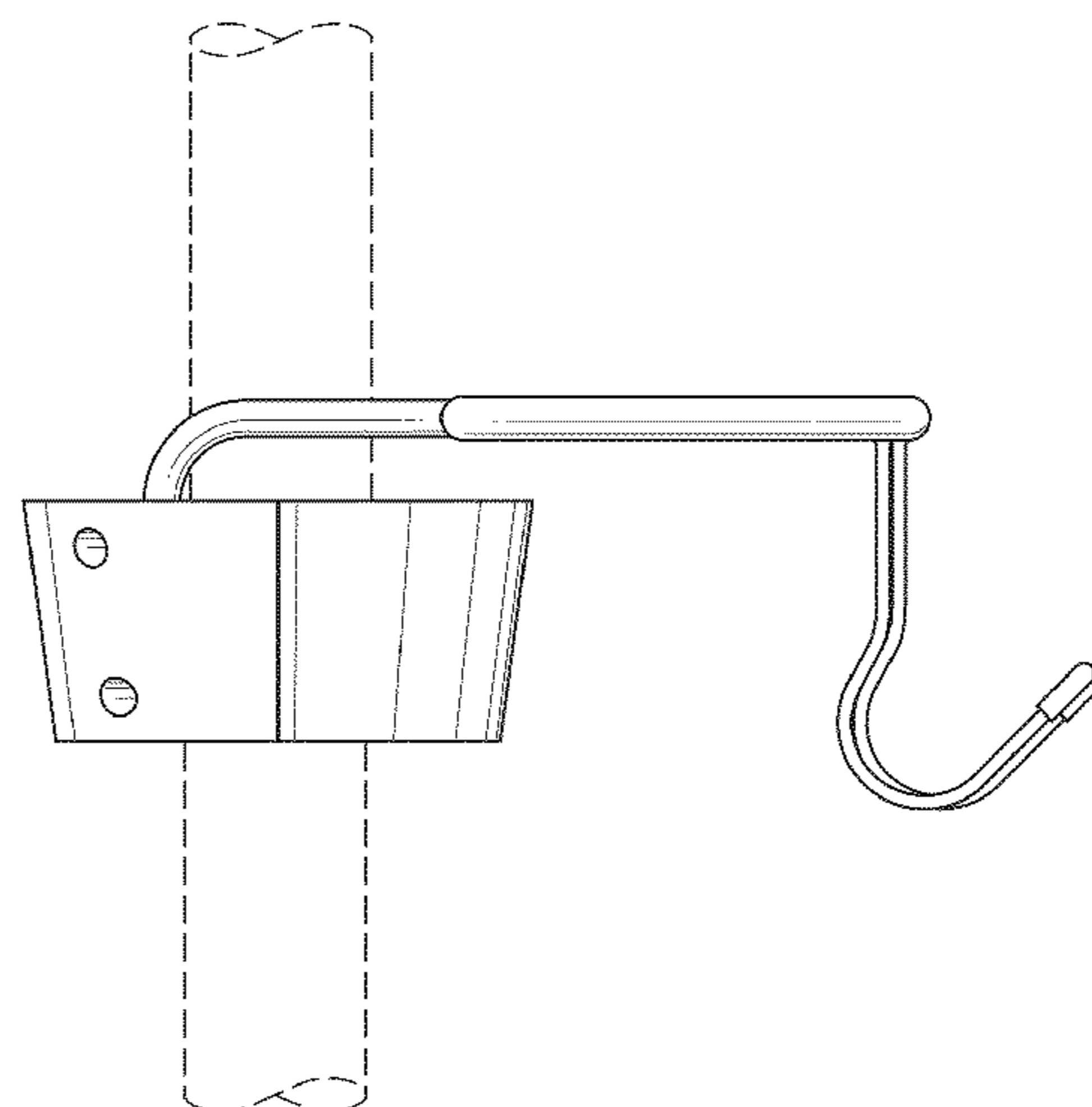
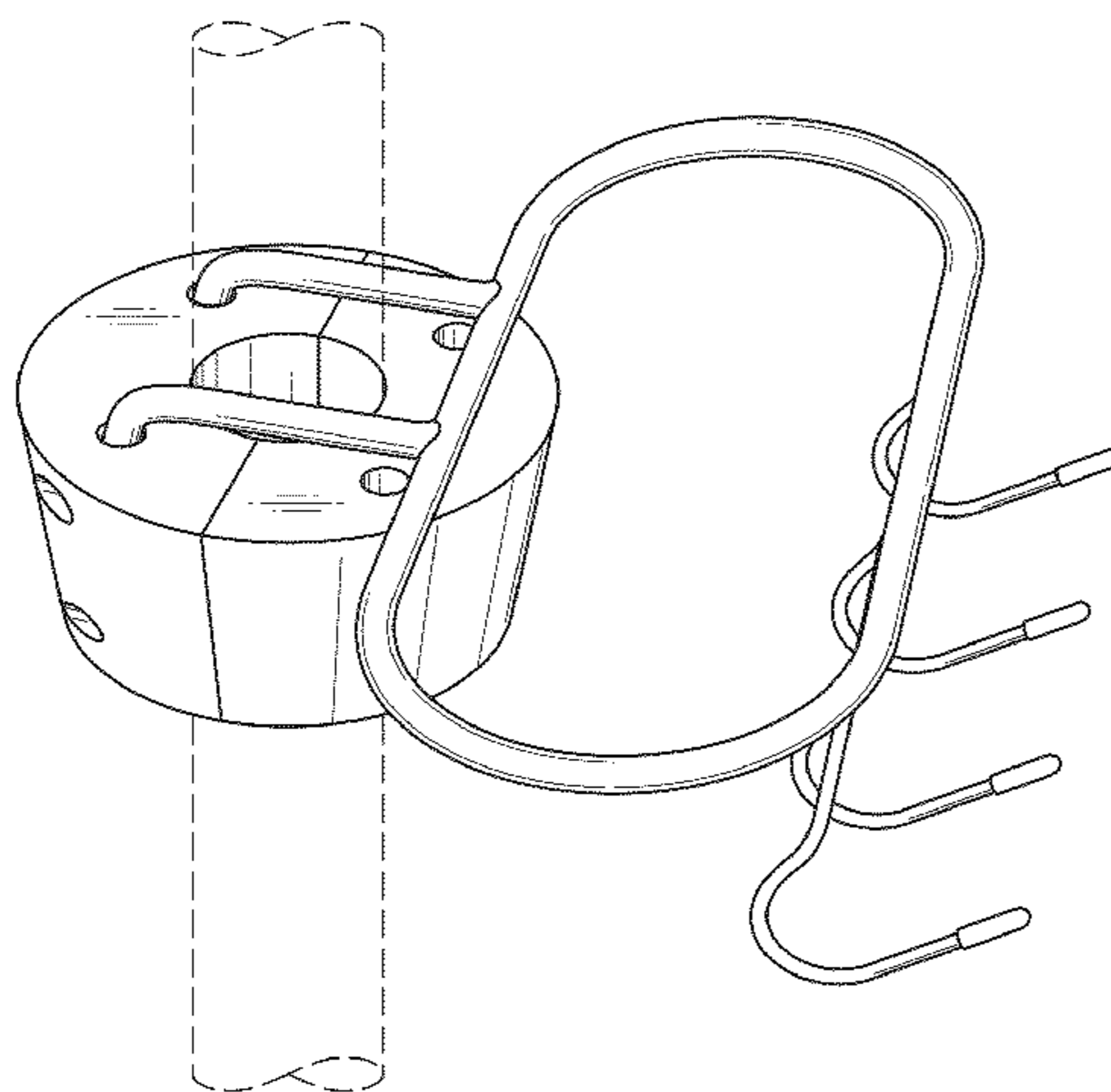
(57) **CLAIM**

The ornamental design for a bracket for an umbrella, as shown and described.

DESCRIPTION

FIG. 1 is a top, front and left side perspective view of a bracket for an umbrella, showing my new design;
FIG. 2 is a front view thereof;
FIG. 3 is a left side view thereof;
FIG. 4 is a rear view thereof;
FIG. 5 is a right side view thereof;
FIG. 6 is a top view thereof; and,
FIG. 7 is a bottom view thereof.
The broken line showing is included for the purpose of illustrating environment and forms no part of the claimed design.

1 Claim, 7 Drawing Sheets



(56)

References Cited

U.S. PATENT DOCUMENTS

D512,627 S * 12/2005 Okada D8/343
7,082,953 B2 * 8/2006 Liu 135/38
D562,677 S * 2/2008 Farber et al. D8/396
D571,650 S * 6/2008 Burnley D8/396
D591,385 S * 4/2009 Baltes D22/147
D595,807 S * 7/2009 Baltes D22/147
D595,808 S * 7/2009 Baltes D22/147
D607,962 S * 1/2010 Baltes D22/147
D607,963 S * 1/2010 Baltes D22/147
D615,852 S * 5/2010 Sullivan D8/380
D623,396 S * 9/2010 He D3/10
D640,464 S * 6/2011 Forthuber et al. D3/5

D691,032 S * 10/2013 Chen D8/396
2004/0107980 A1 * 6/2004 Wang 135/39
2012/0269979 A1 * 10/2012 Weil et al. 427/421.1

FOREIGN PATENT DOCUMENTS

KR 300466668.0000 * 10/2007
KR 300637604.0000 * 3/2012

OTHER PUBLICATIONS

Coat Hooks—Outdoor Craftmans Supply, Announced May 3, 2012,
[Site Visited Jul. 10, 2015] <http://www.outdoorcraftmansupply.com/coat-hooks.aspx>.*

* cited by examiner

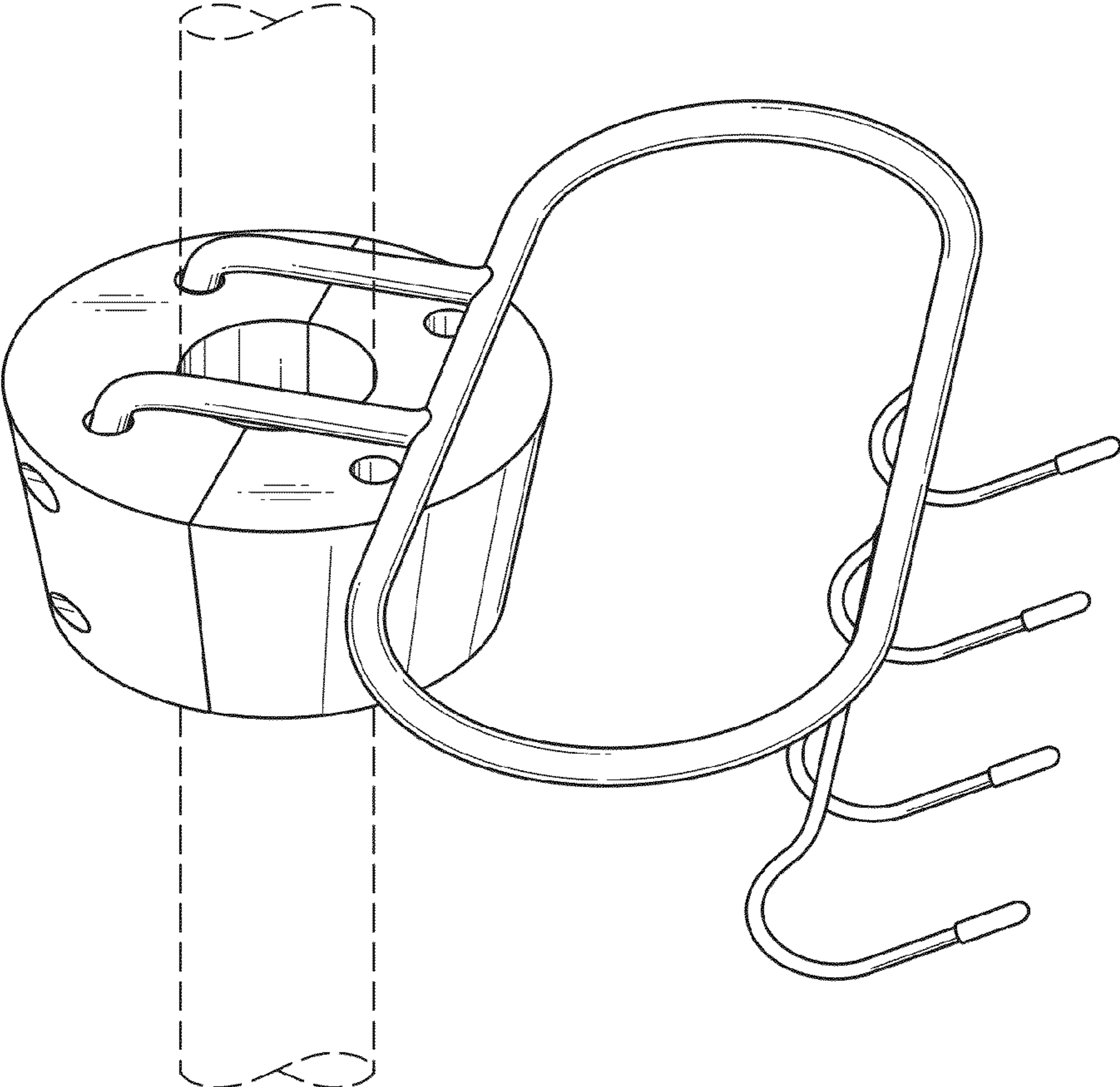


FIG. 1

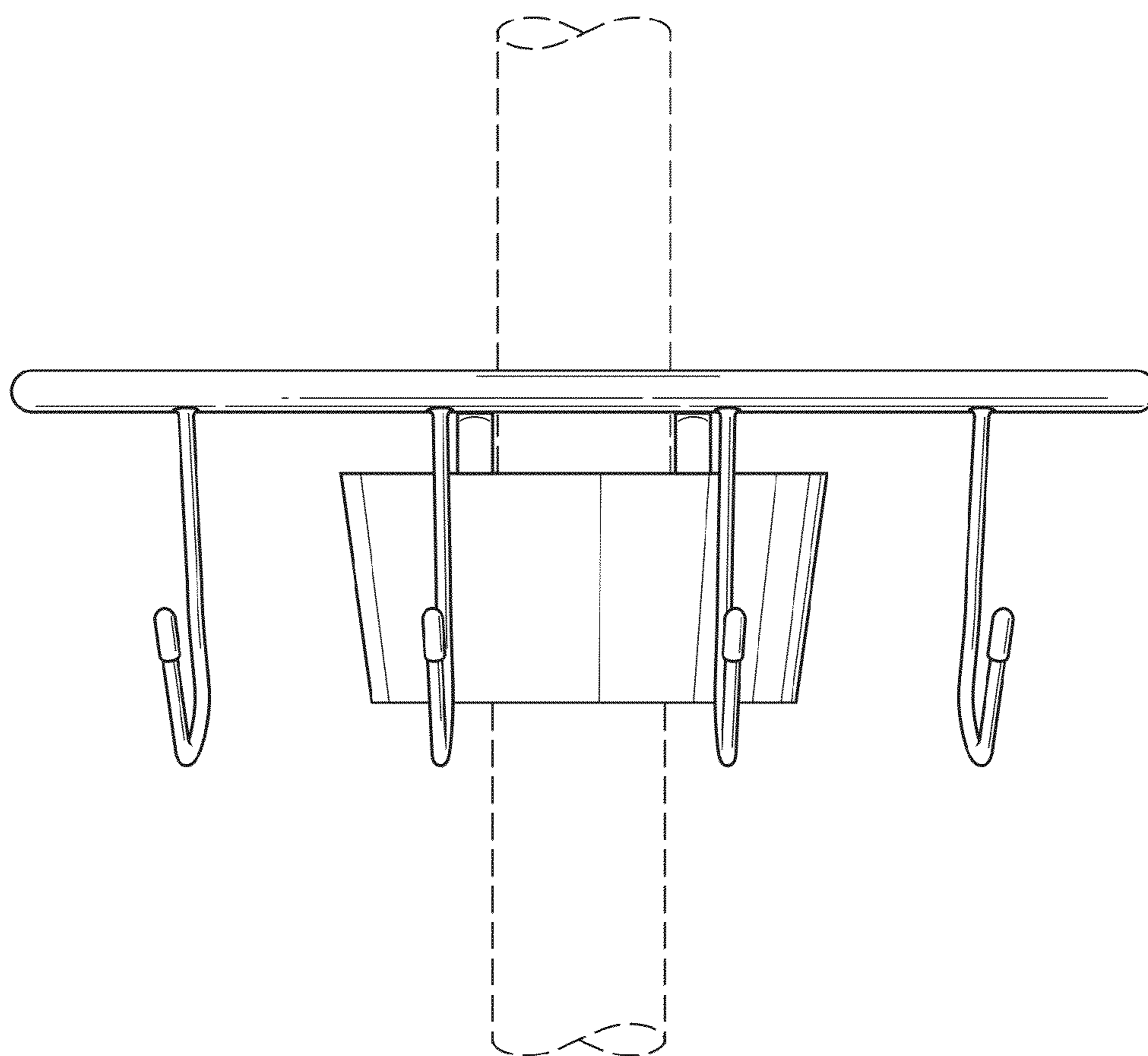


FIG. 2

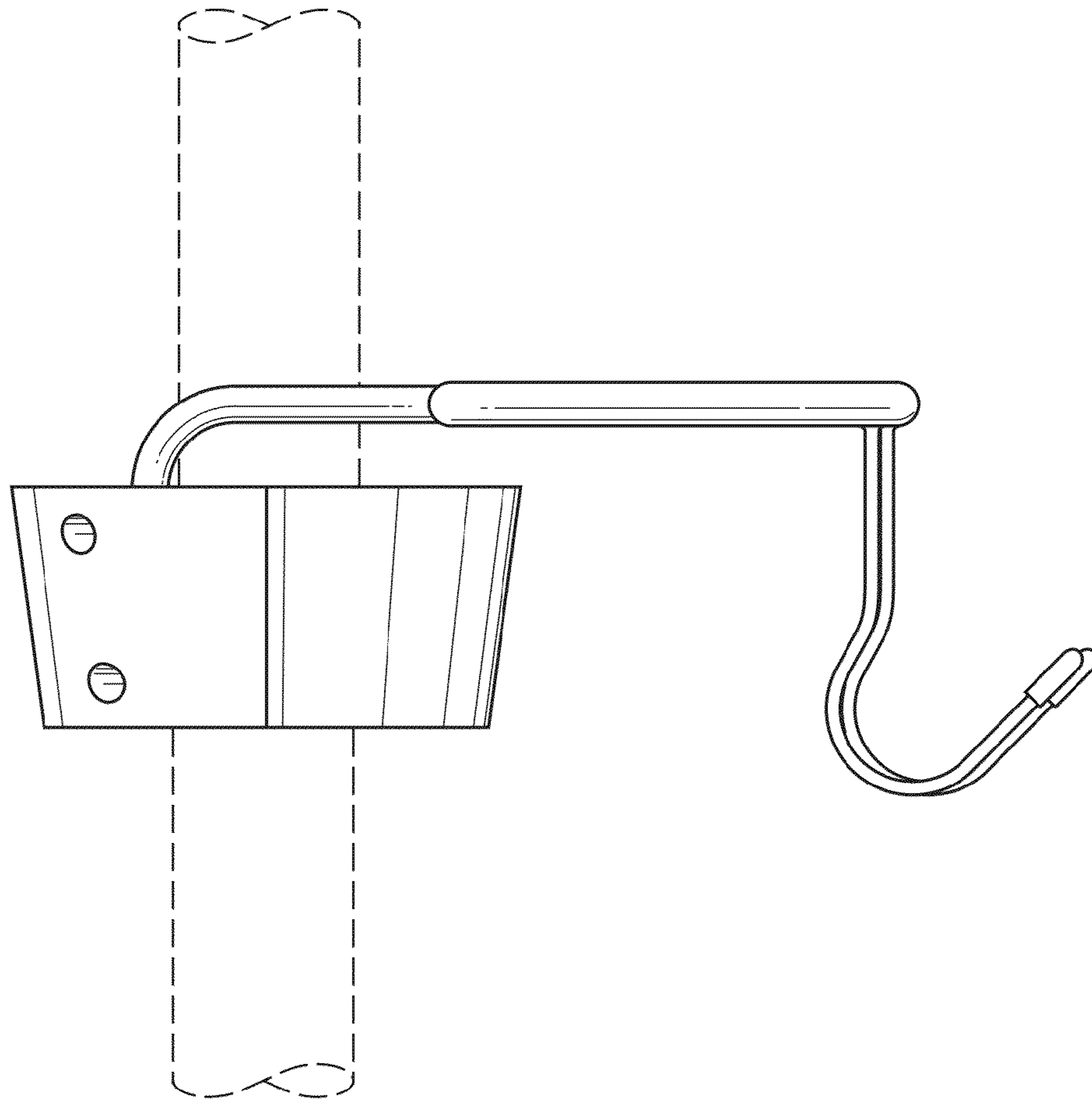


FIG. 3

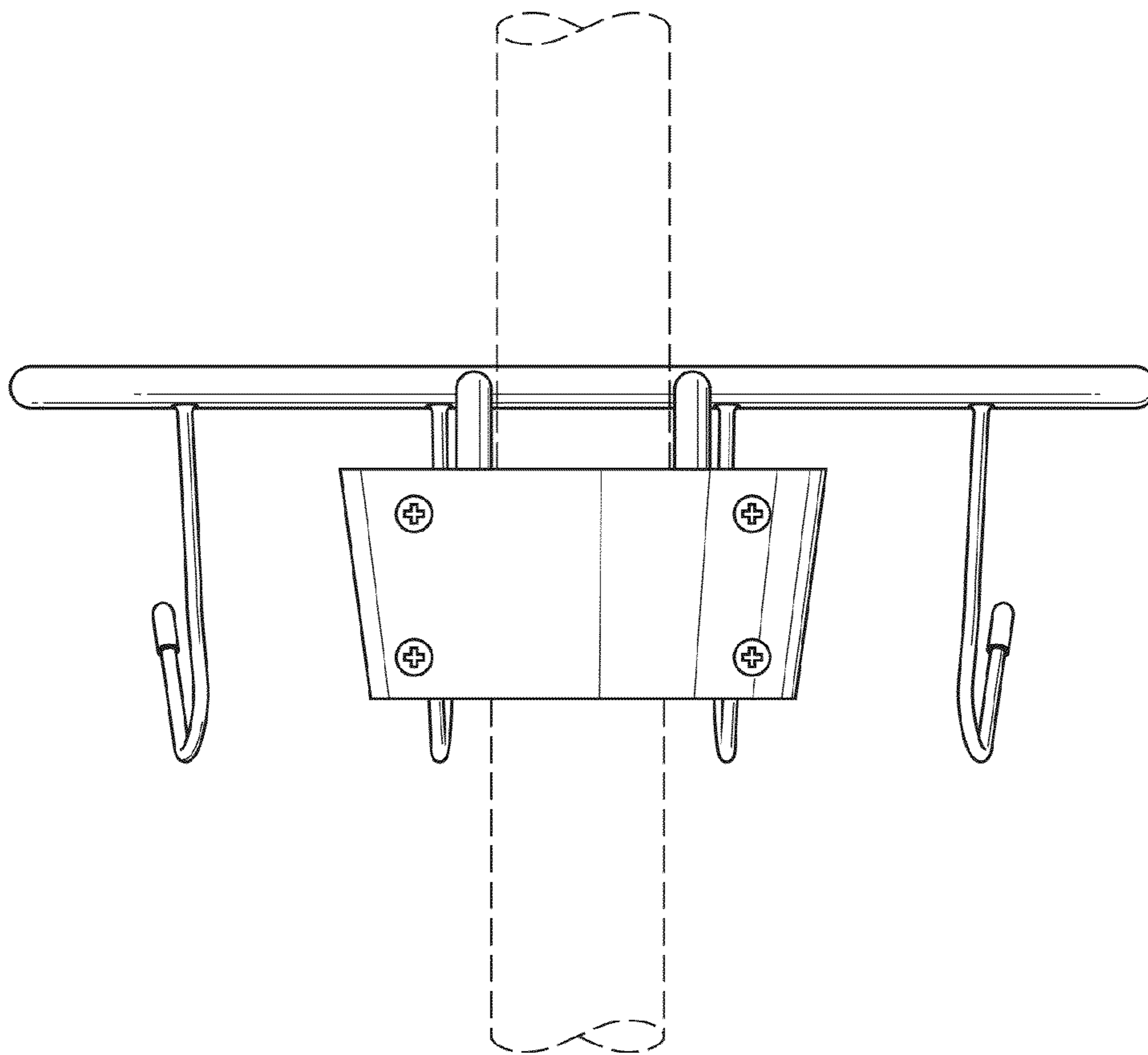


FIG. 4

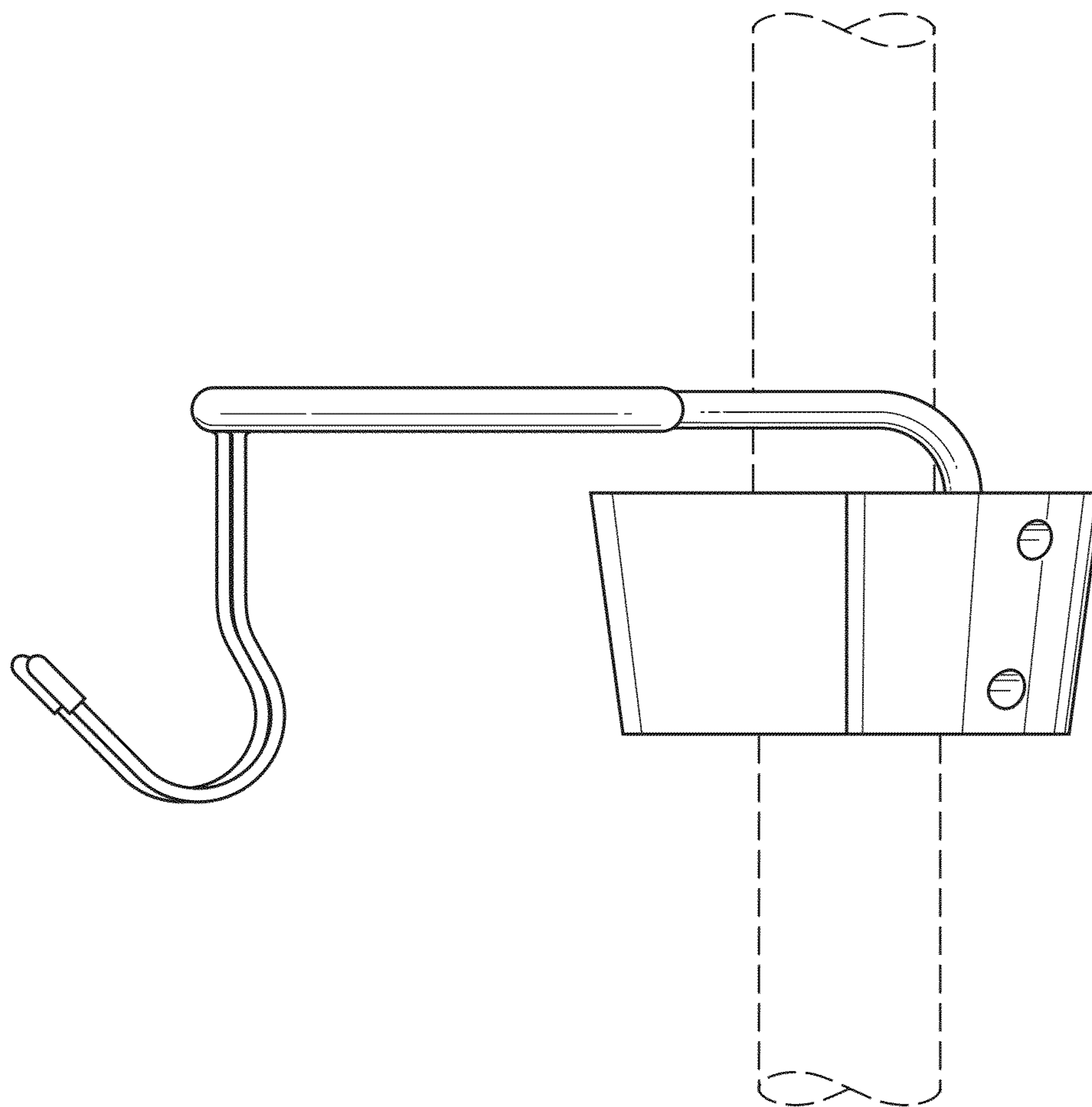


FIG. 5

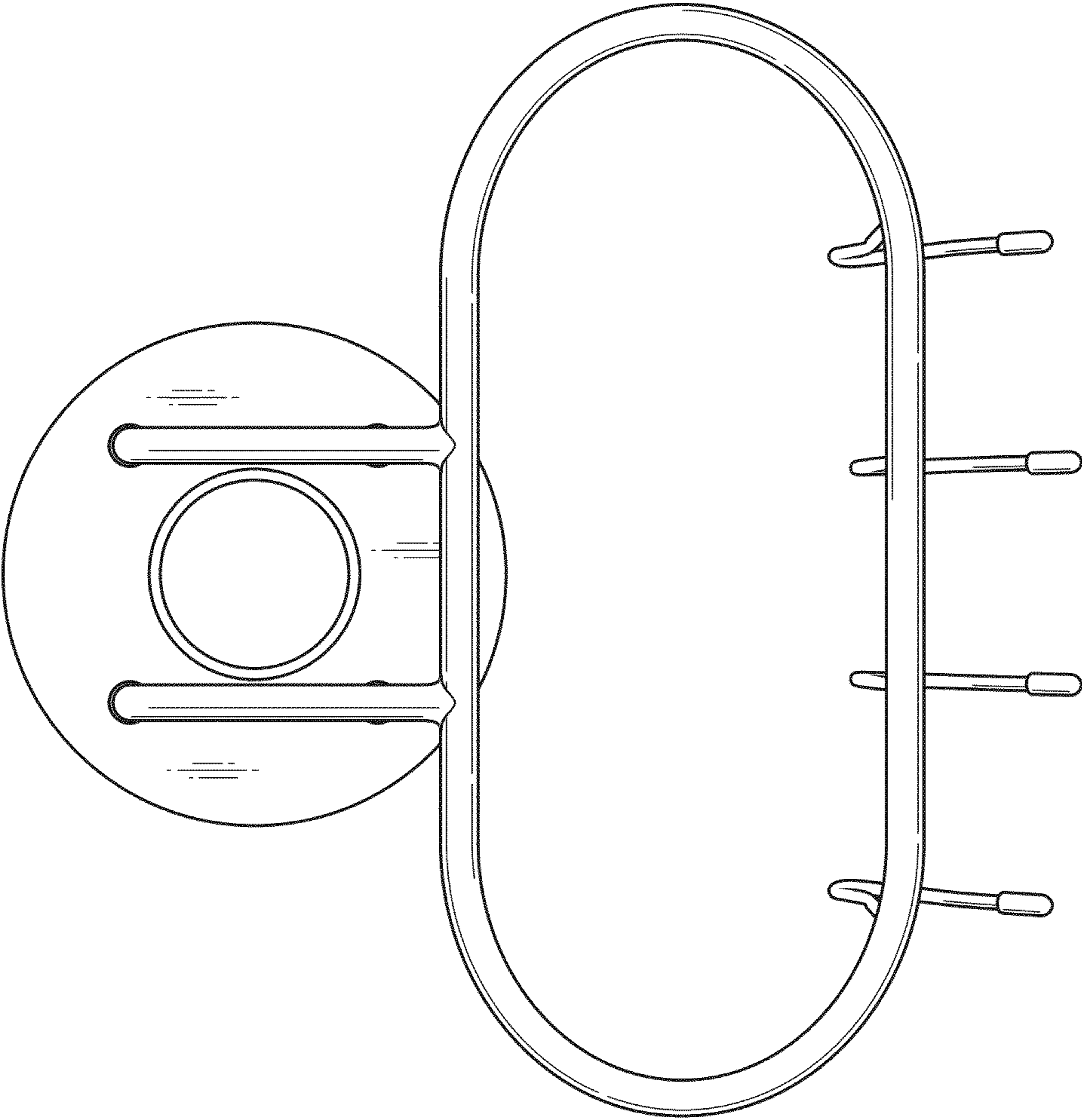


FIG. 6

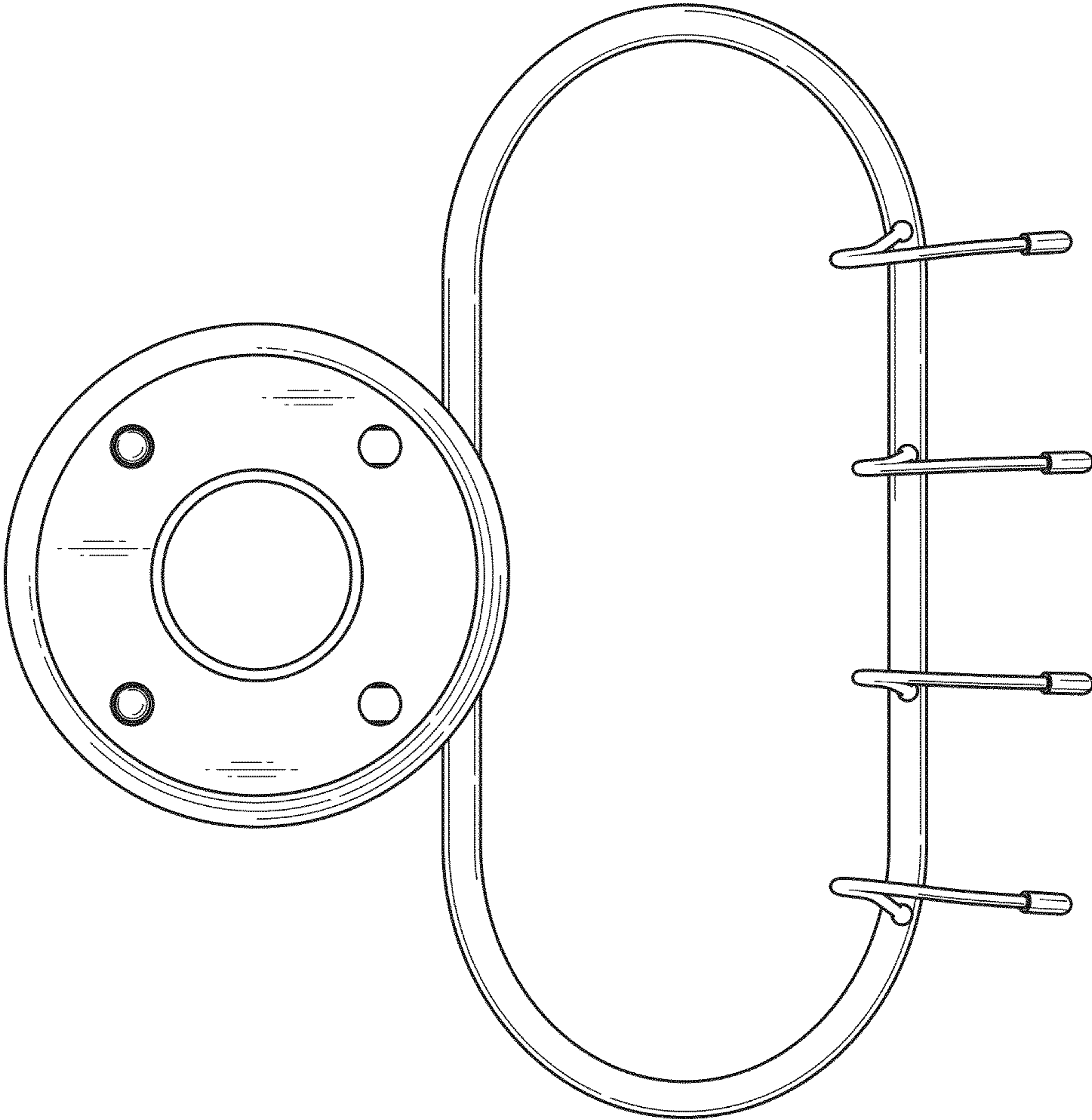


FIG. 7