



US00D738098S

(12) **United States Design Patent**
Sakochi

(10) **Patent No.:** **US D738,098 S**
(45) **Date of Patent:** **** Sep. 8, 2015**

(54) **SHOESTRING FASTENER**

(71) Applicant: **Hatsuo Sakochi**, Aiko-gun (JP)

(72) Inventor: **Hatsuo Sakochi**, Aiko-gun (JP)

(**) Term: **14 Years**

(21) Appl. No.: **29/475,967**

(22) Filed: **Dec. 9, 2013**

(30) **Foreign Application Priority Data**

Jun. 10, 2013 (JP) 2013-013020

(51) **LOC (10) Cl.** **02-07**

(52) **U.S. Cl.**
USPC **D2/978**

(58) **Field of Classification Search**
USPC D2/896, 946, 976, 978; 36/1, 114, 136;
40/636
See application file for complete search history.

(56) **References Cited**

U.S. PATENT DOCUMENTS

1,314,805 A * 9/1919 Hinckley 24/712.2
1,344,998 A * 6/1920 Fay 2/245
4,949,437 A * 8/1990 Anderson 24/712.2
D330,688 S * 11/1992 Haines D11/202

D366,138 S * 1/1996 Solo D2/946
D366,753 S * 2/1996 Solo D2/946
6,119,318 A * 9/2000 Maurer 24/713.2
6,247,214 B1 * 6/2001 Hyde 24/712.6

FOREIGN PATENT DOCUMENTS

JP D1416170 * 6/2011

* cited by examiner

Primary Examiner — Derrick Holland

Assistant Examiner — Janice Lim

(74) *Attorney, Agent, or Firm* — DLA Piper LLP (US)

(57) **CLAIM**

The ornamental design for a shoestring fastener, as shown and described.

DESCRIPTION

FIG. 1 is a front elevational view of a shoestring fastener, showing my new design;
FIG. 2 is a rear elevational view thereof;
FIG. 3 is a left side elevational view thereof;
FIG. 4 is a right side elevational view thereof
FIG. 5 is a top plan view thereof;
FIG. 6 is a bottom view thereof;
FIG. 7 is a front, bottom and right side perspective view thereof; and,
FIG. 8 is a rear, top and right side perspective view thereof.

1 Claim, 8 Drawing Sheets

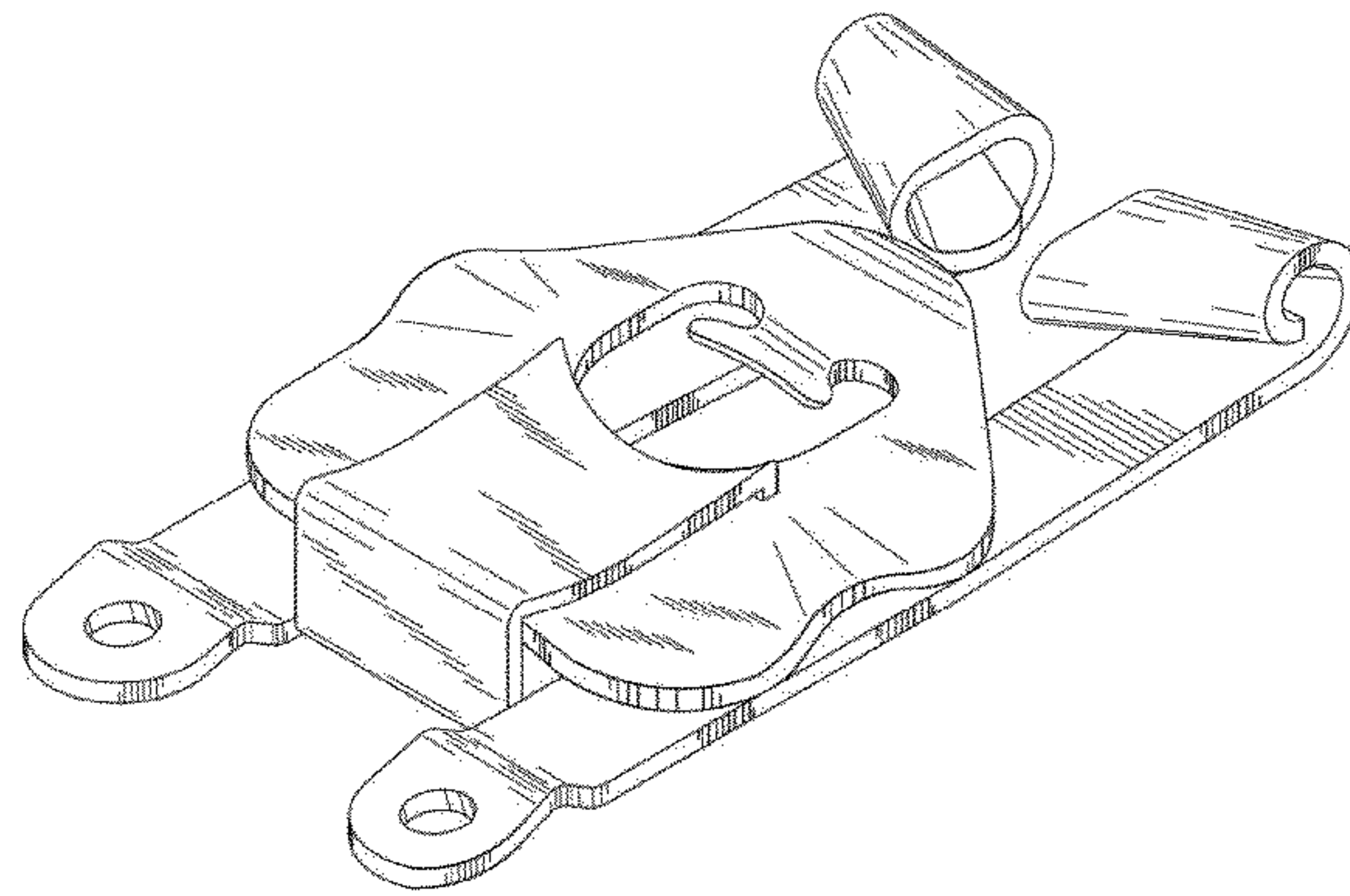
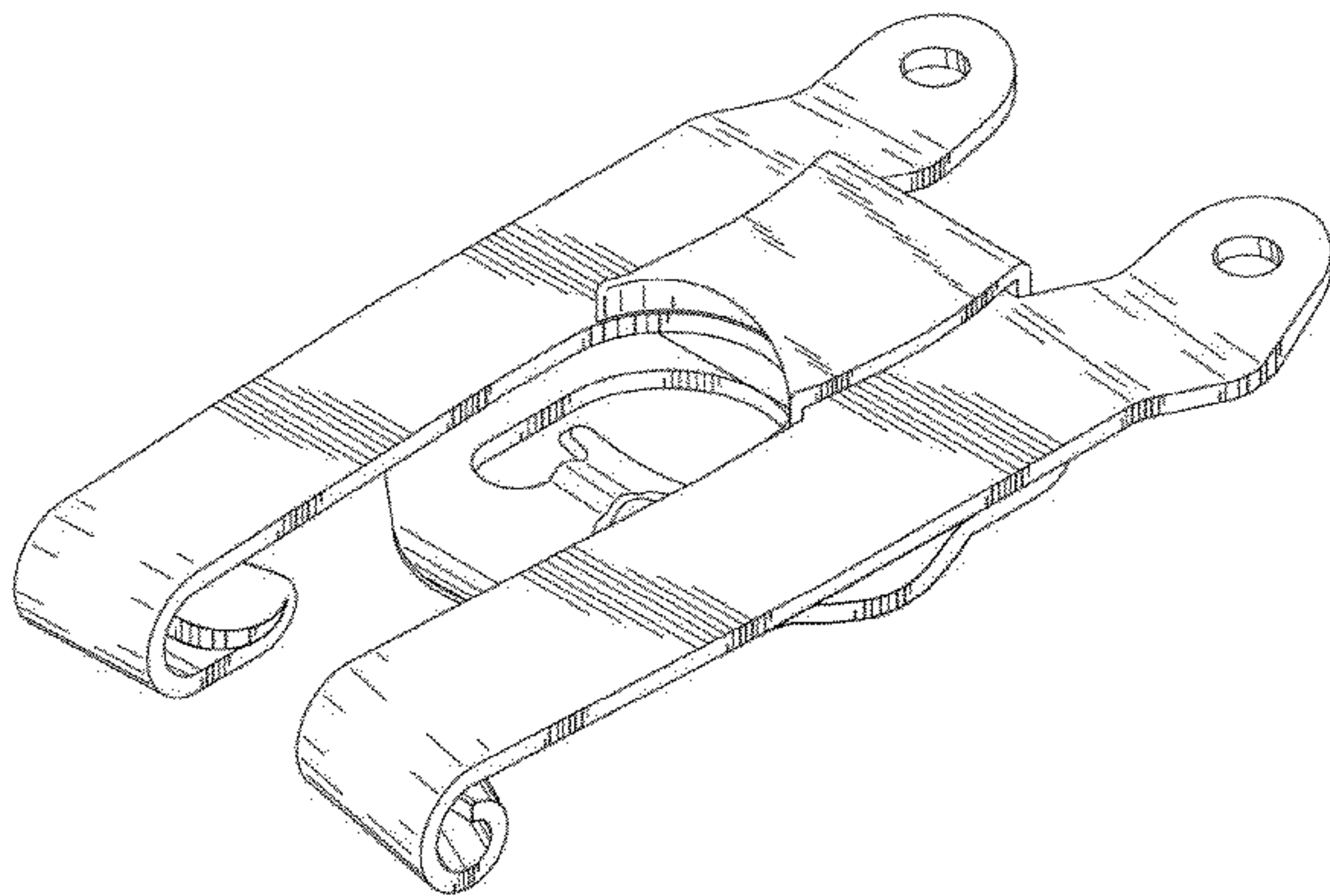


FIG. 1

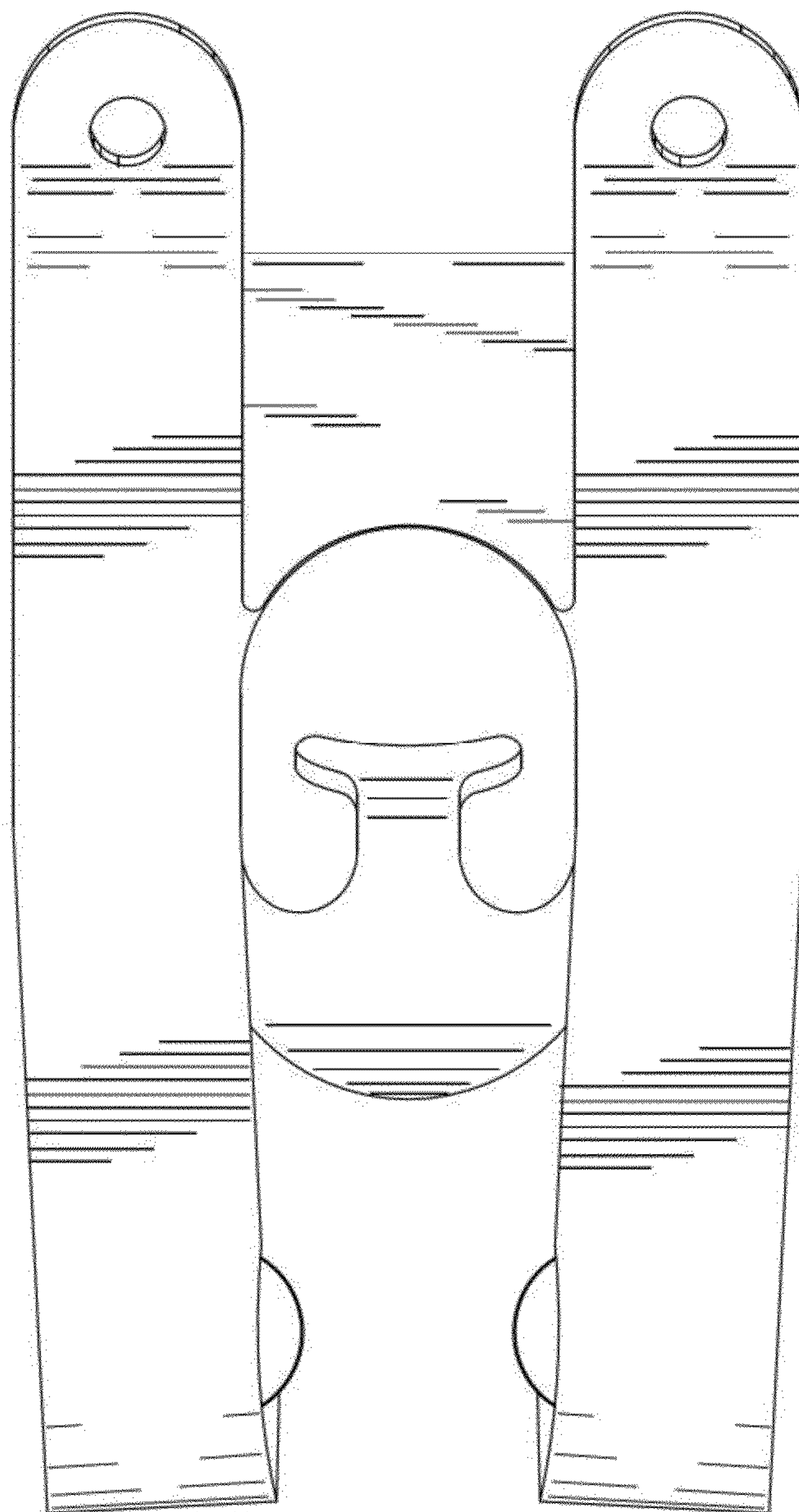


FIG. 2

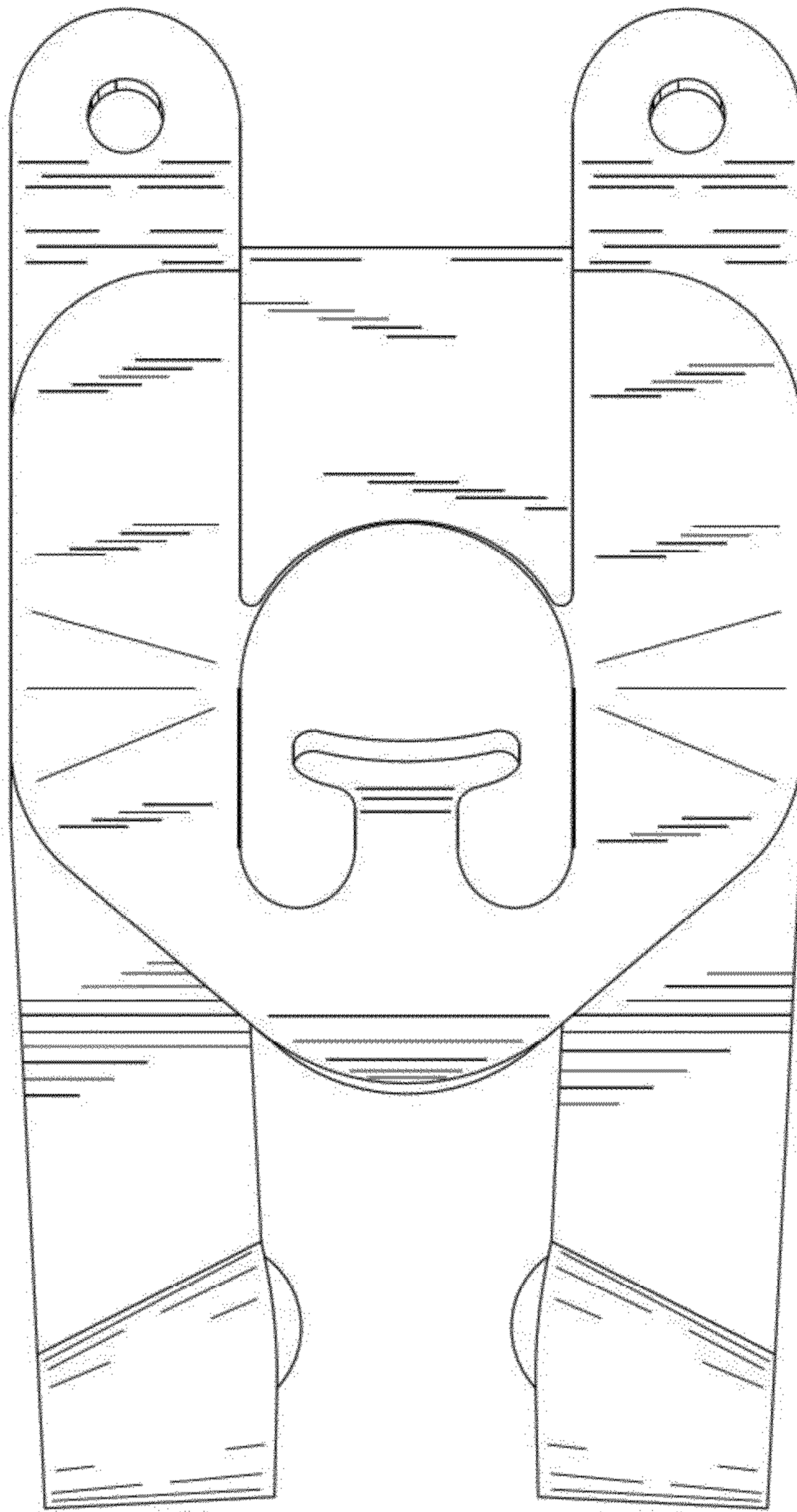


FIG. 3

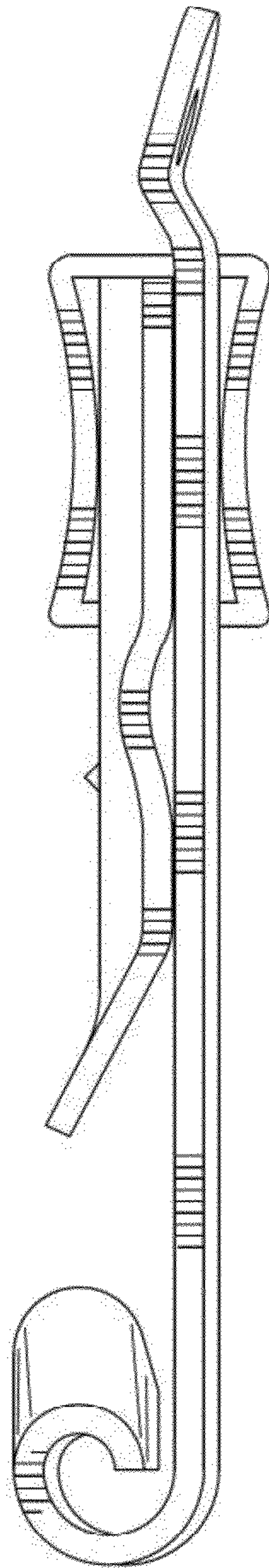


FIG. 4

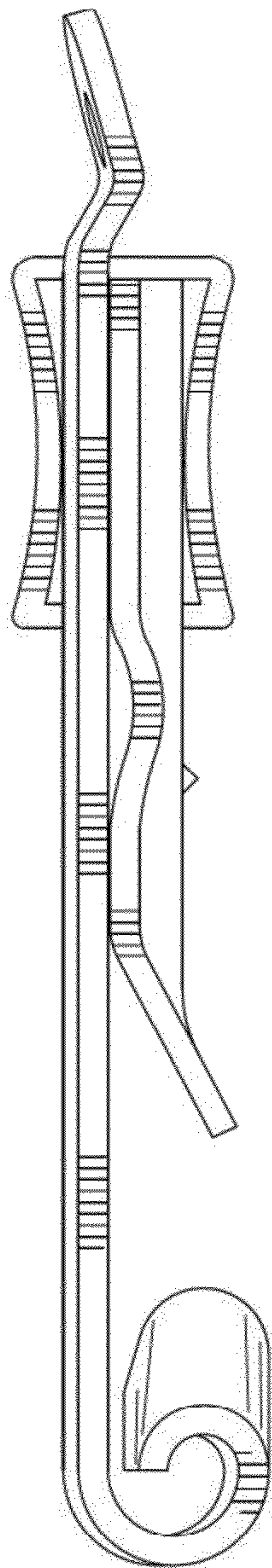


FIG. 5

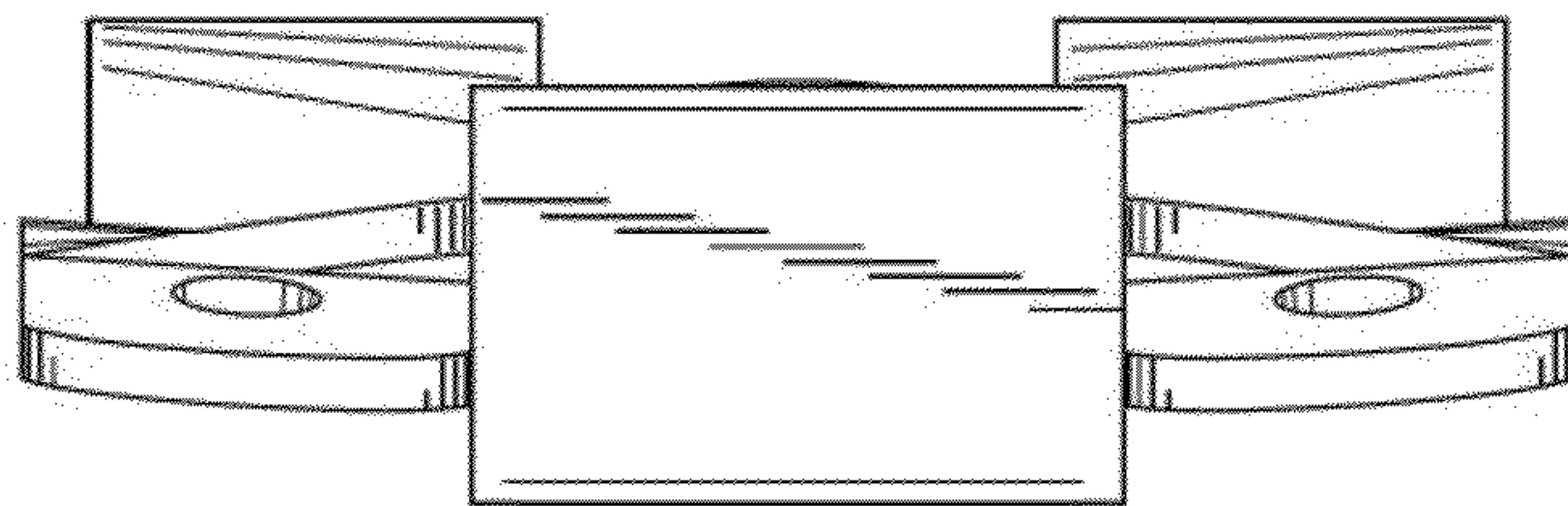


FIG. 6

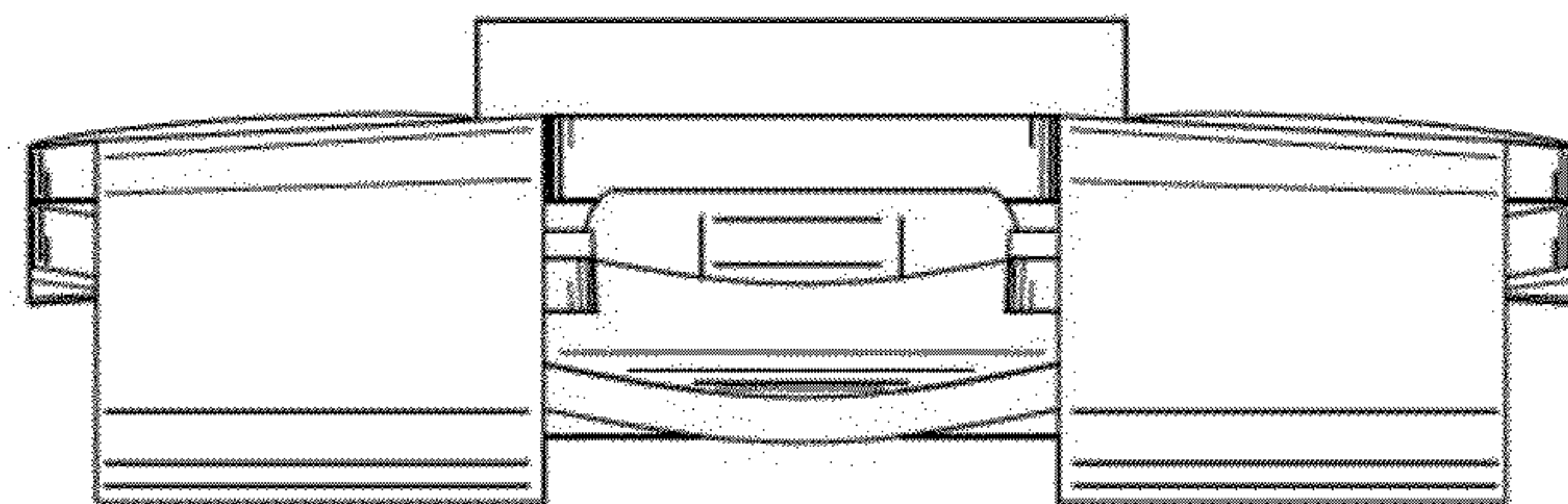


FIG. 7

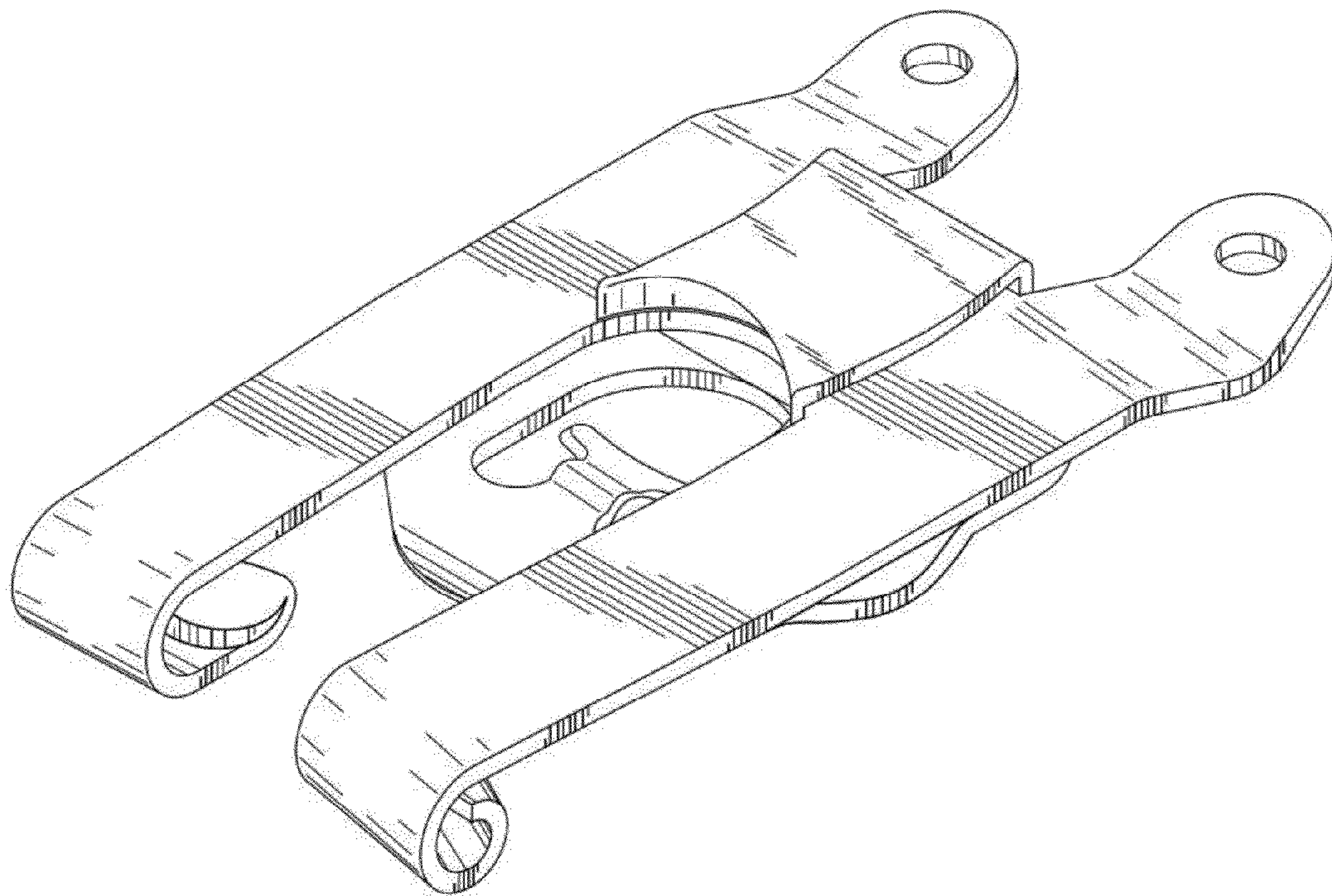


FIG. 8

