



US00D738068S

(12) **United States Design Patent**
Boland

(10) **Patent No.:** **US D738,068 S**

(45) **Date of Patent:** **** Sep. 8, 2015**

(54) **HOSPITAL GOWN**

(76) Inventor: **Kristina Boland**, Rhinebeck, NY (US)

(**) Term: **14 Years**

(21) Appl. No.: **29/407,974**

(22) Filed: **Dec. 6, 2011**

(51) **LOC (10) Cl.** **02-01**

(52) **U.S. Cl.**
USPC **D2/720**

(58) **Field of Classification Search**
USPC D2/720, 724, 739, 750, 828, 838, 756,
D2/757, 794; 2/93, 96, 108, 74
CPC A41D 1/22; A41D 10/00; A41D 1/18
See application file for complete search history.

(56) **References Cited**

U.S. PATENT DOCUMENTS

1,848,040	A *	3/1932	Ash	2/74
1,849,578	A *	3/1932	Jackson	2/74
1,887,867	A *	11/1932	Carr	2/74
2,129,830	A *	9/1938	Durocher	2/74
2,378,088	A *	6/1945	Kovitz	2/48
2,424,600	A *	7/1947	Cadous	2/74
2,431,466	A *	11/1947	Craig	2/76
2,433,820	A *	12/1947	Tarbell	2/73
2,790,974	A *	5/1957	King	2/74
3,490,072	A *	1/1970	Keltner	2/114
7,395,556	B2 *	7/2008	Eraca	2/104
D664,738	S *	8/2012	Friberg	D2/848
D698,120	S *	1/2014	Yoo	D2/756

* cited by examiner

Primary Examiner — Ian Simmons
Assistant Examiner — Carissa C Fitts

(74) *Attorney, Agent, or Firm* — Cowan, Liebowitz & Latman, P.C.

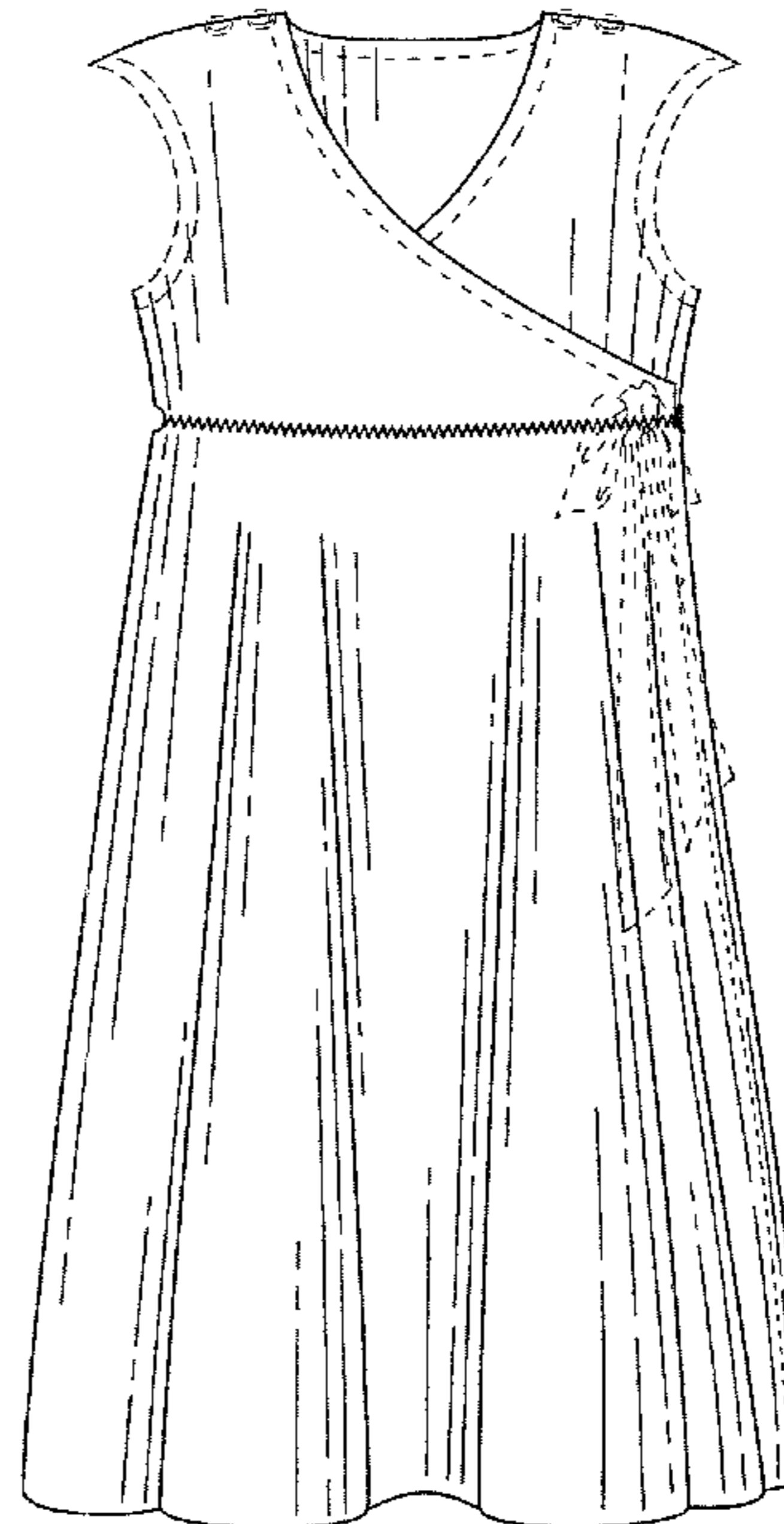
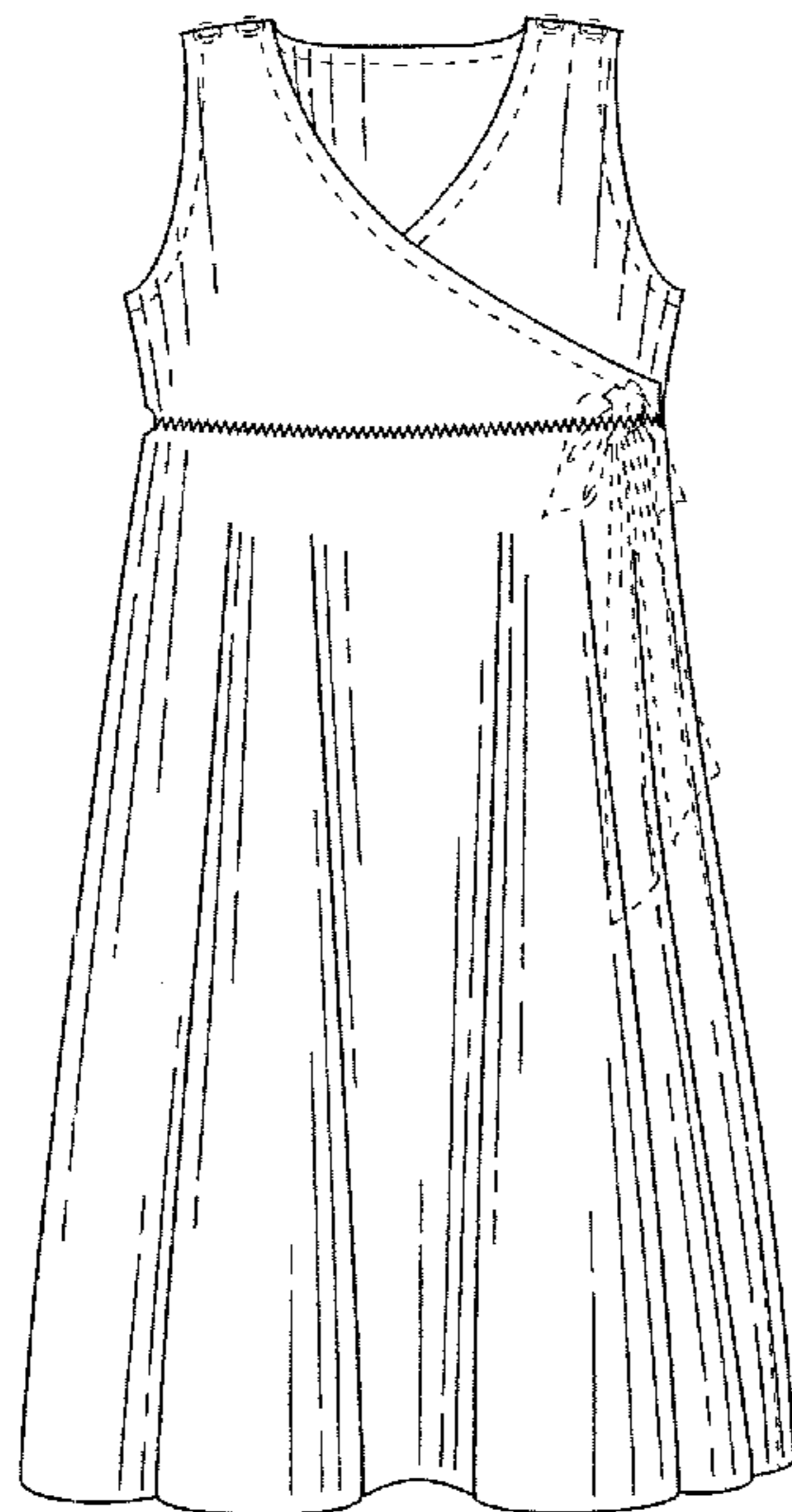
(57) **CLAIM**

The ornamental design for a hospital gown, as shown and described.

DESCRIPTION

FIG. 1 is a front view of a first embodiment of the hospital gown showing my design;
FIG. 2 is a back view thereof;
FIG. 3 is a right side view thereof;
FIG. 4 is an open flat view thereof;
FIG. 5 is a back view thereof shown worn by a person and showing separation of the layers of the hospital gown;
FIG. 6 is a front view of a second embodiment of the hospital gown showing my design;
FIG. 7 is a back view thereof;
FIG. 8 is a right side view thereof;
FIG. 9 is an open flat view thereof; and,
FIG. 10 is a back view thereof shown worn by a person and showing separation of the layers of the hospital gown.
The features shown in broken lines are for environmental purposes only and form no part of the claimed design. Specifically, in FIGS. 1-10, broken lines showing snaps, buttons and ties form no part of the claimed design. In FIGS. 5 and 10, broken lines showing a person wearing the hospital gown form no part of the claimed design. In FIGS. 6-10, broken lines outlining the sleeve edges form no part of the claimed design. In FIGS. 1-10, broken lines showing stitching around the perimeter of the hospital gown form no part of the claimed design.

1 Claim, 6 Drawing Sheets



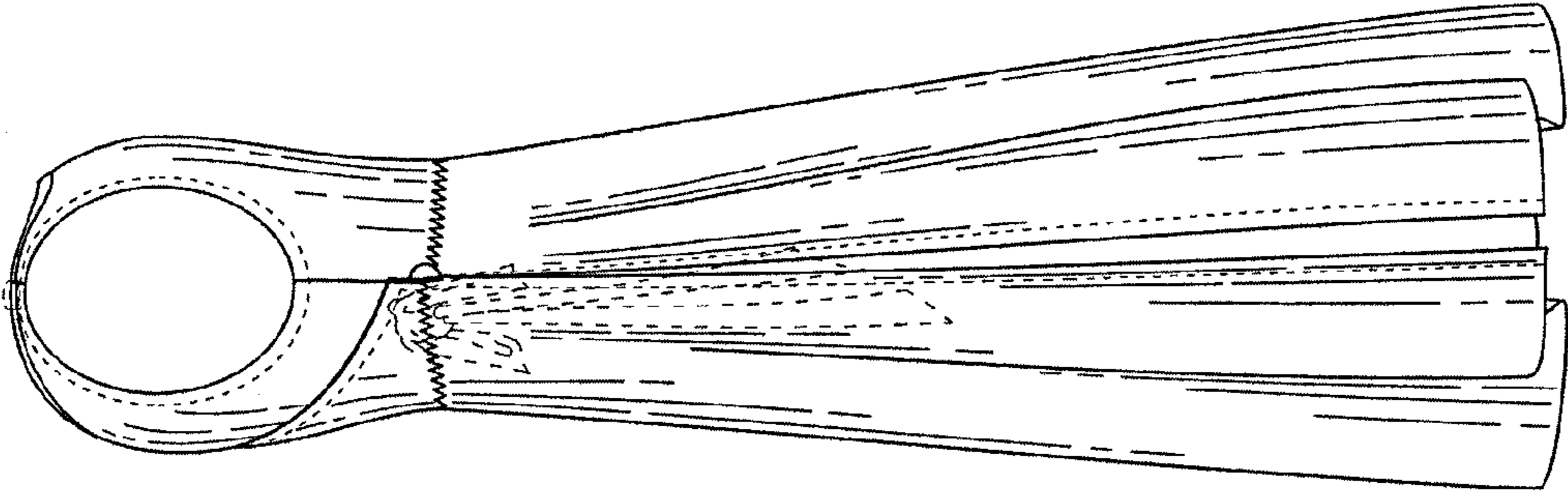


FIG. 3

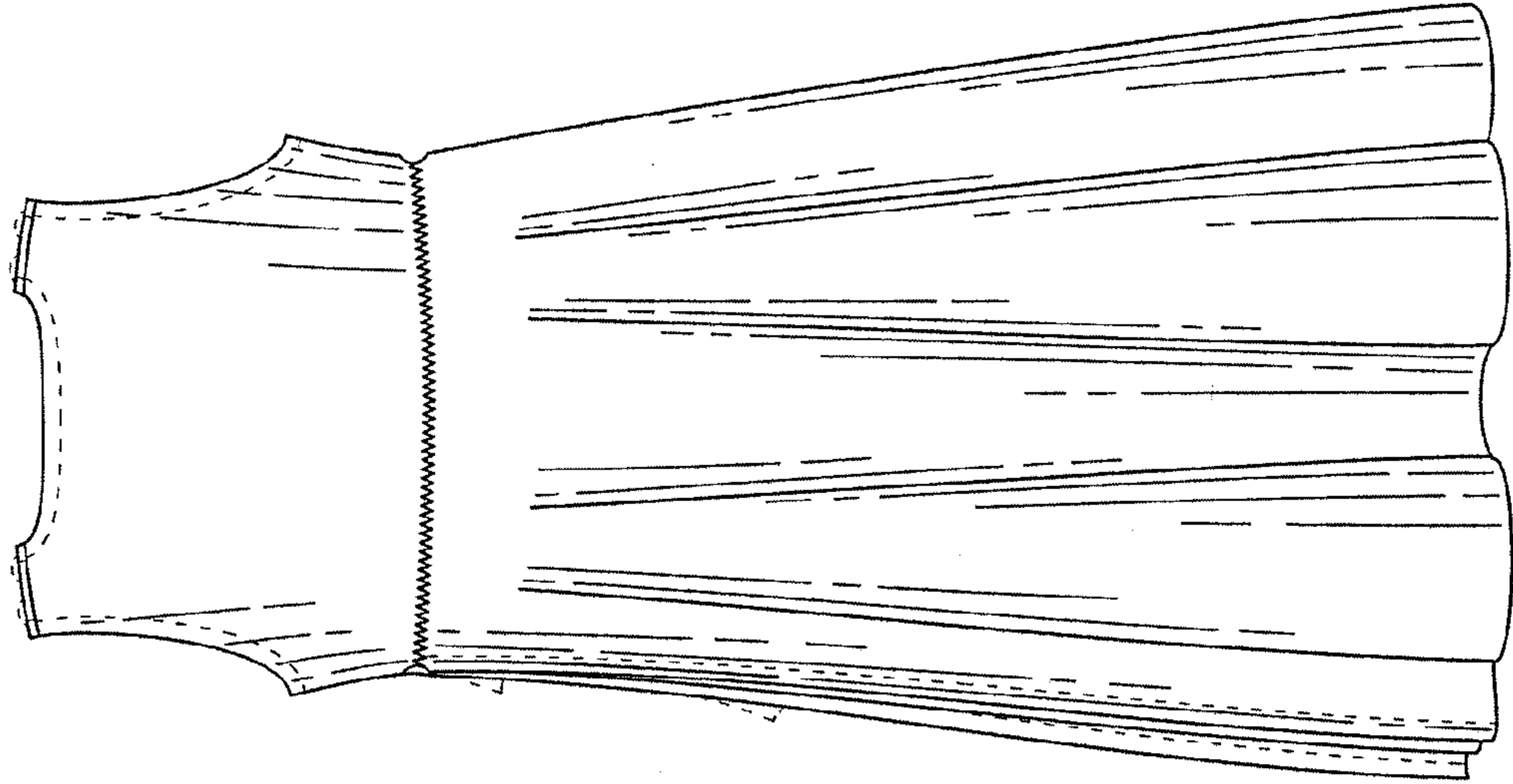


FIG. 2

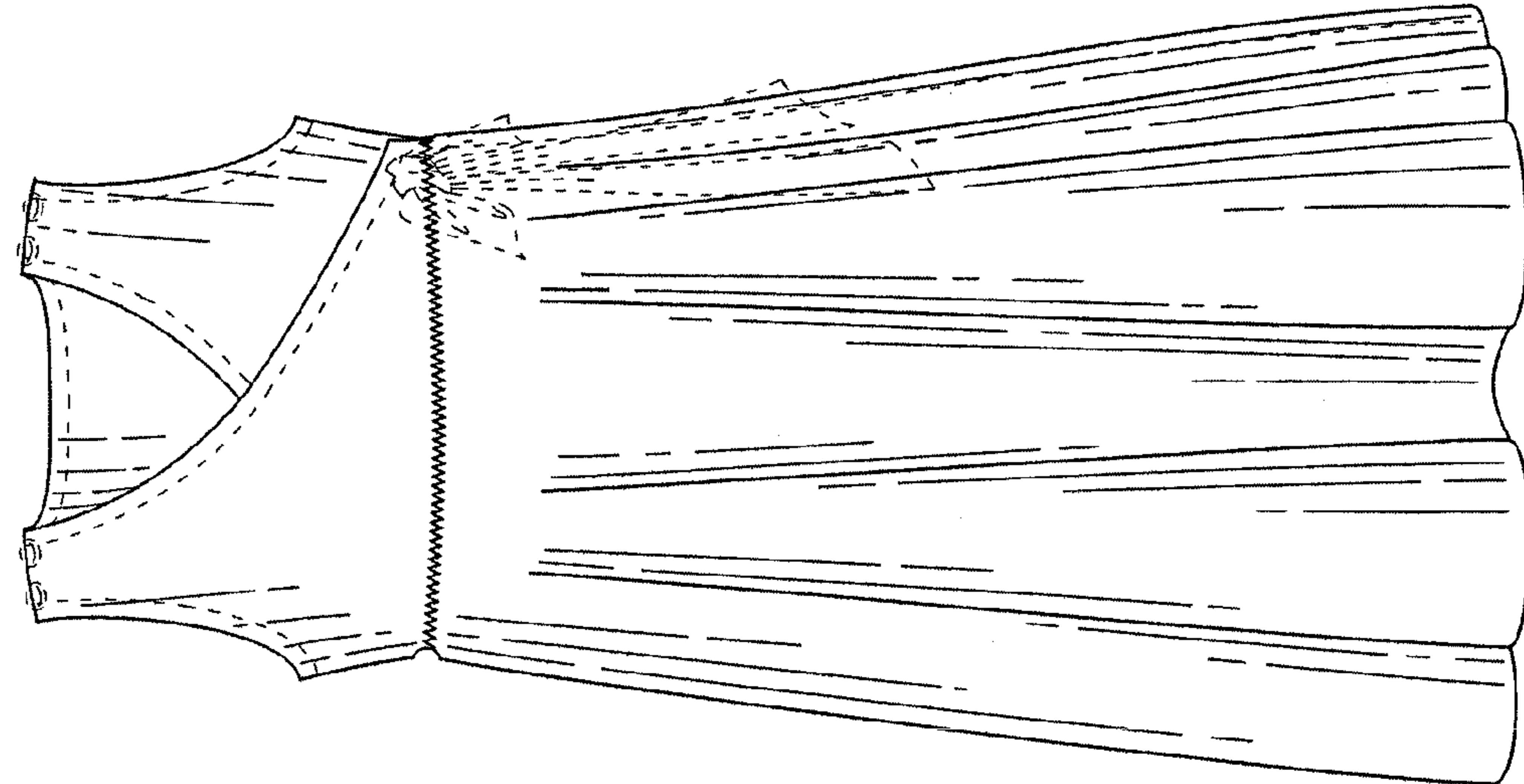


FIG. 1

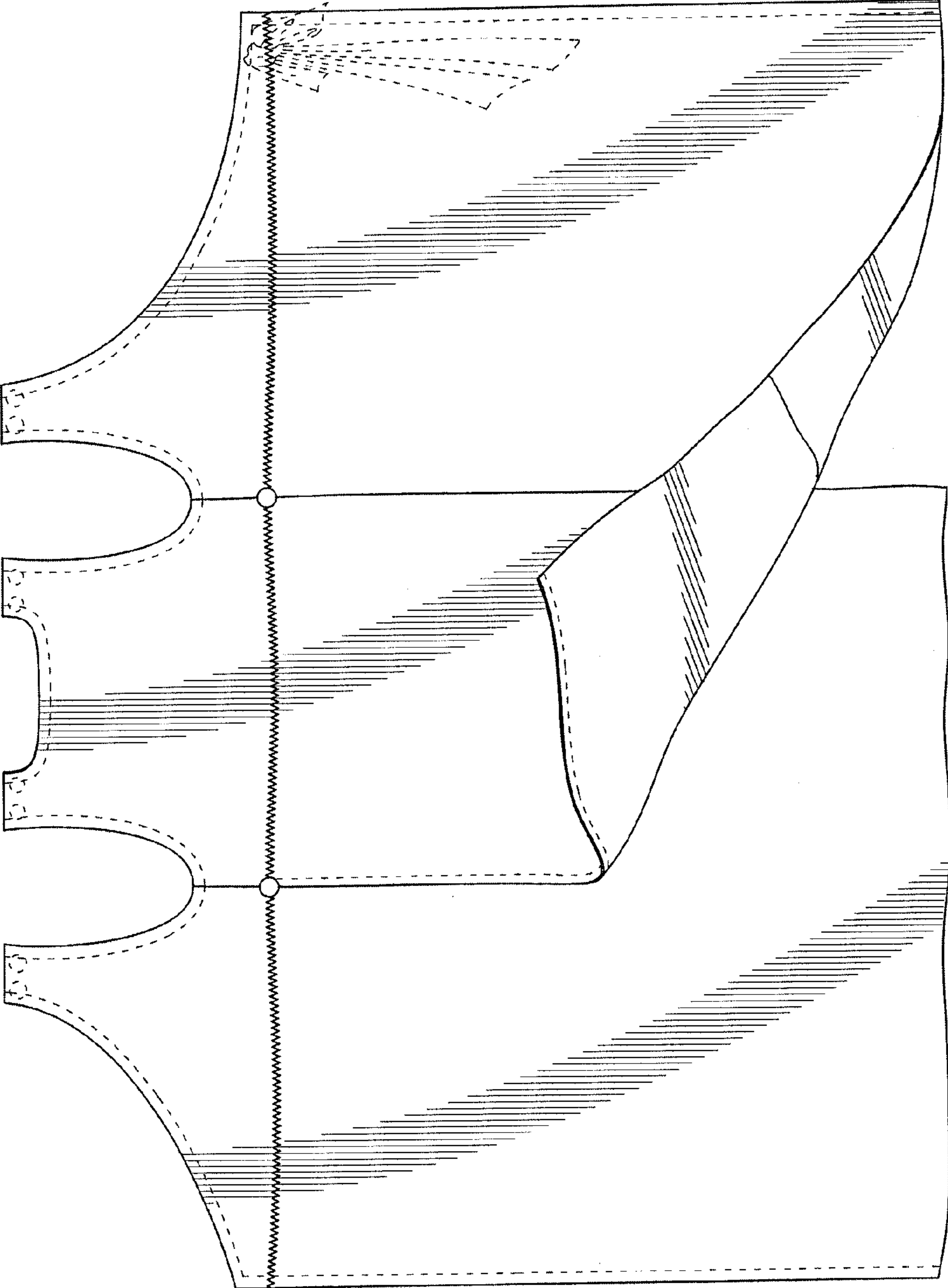


FIG. 4

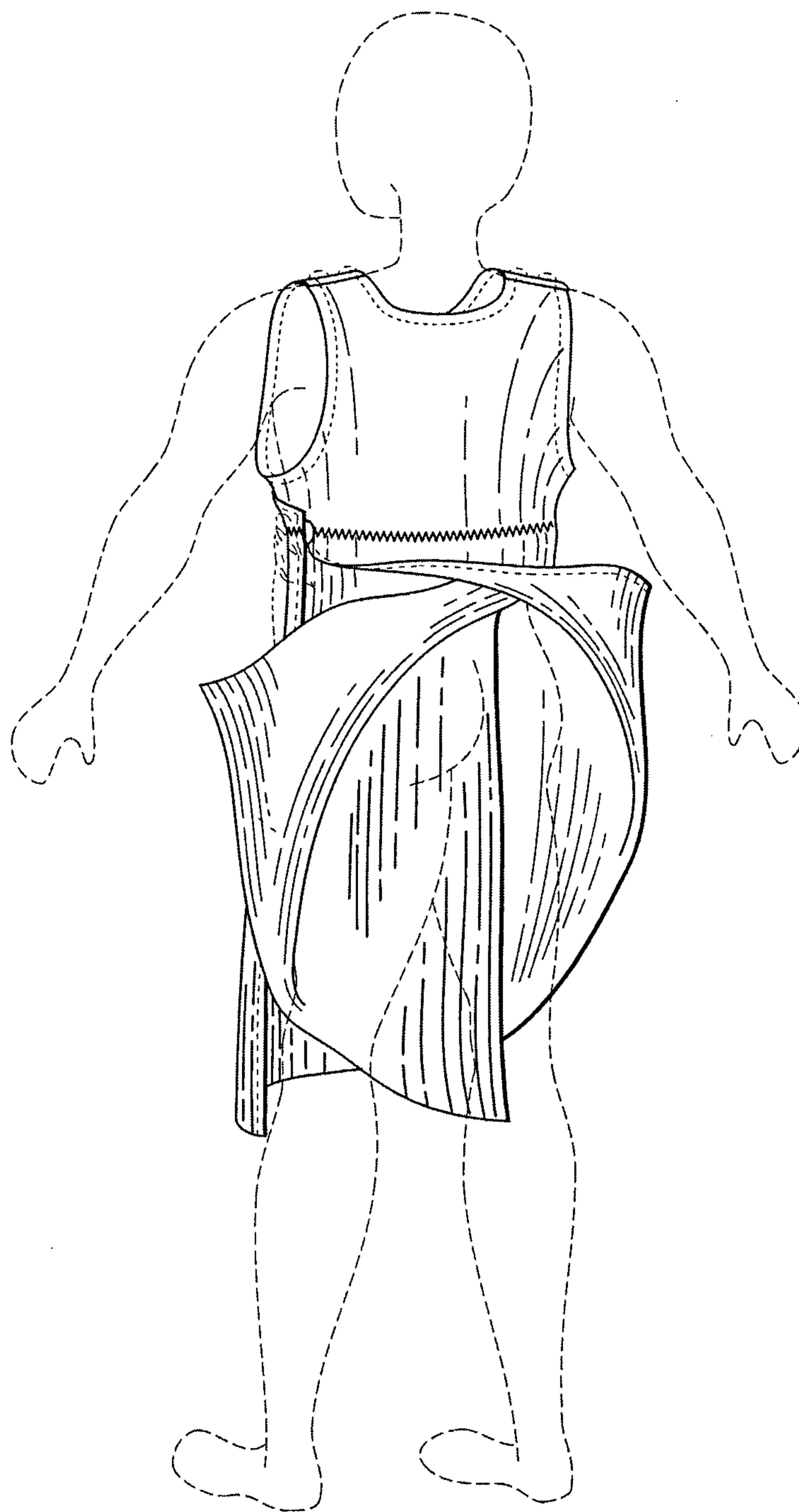


FIG. 5

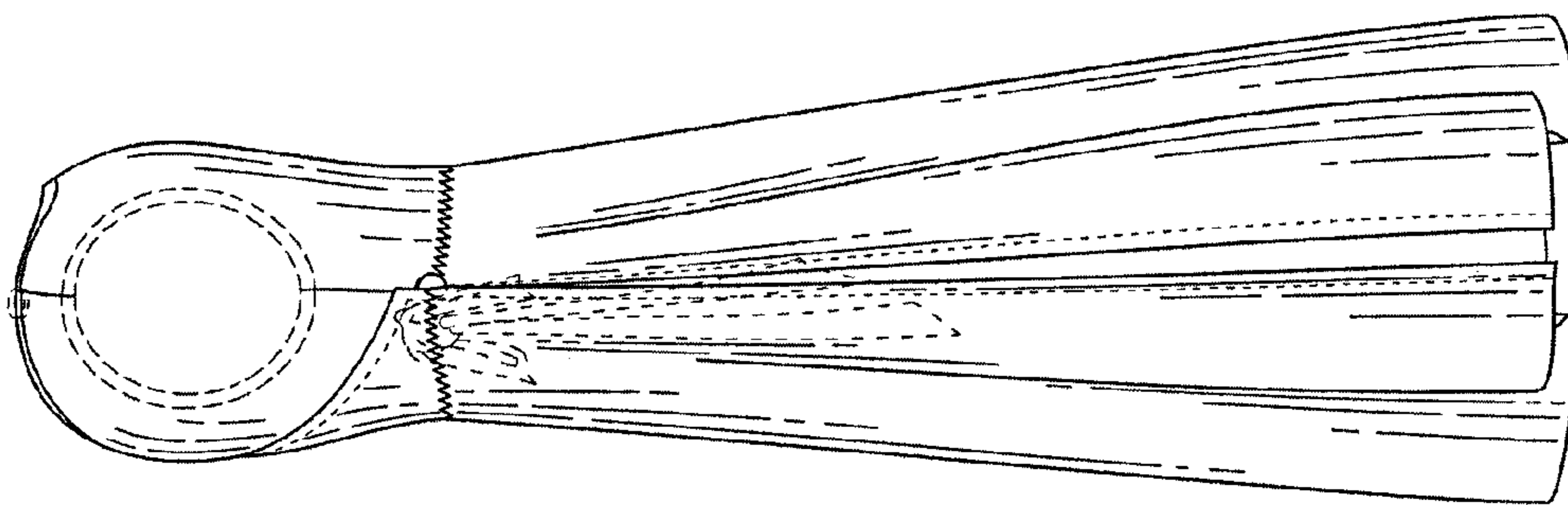


FIG. 8

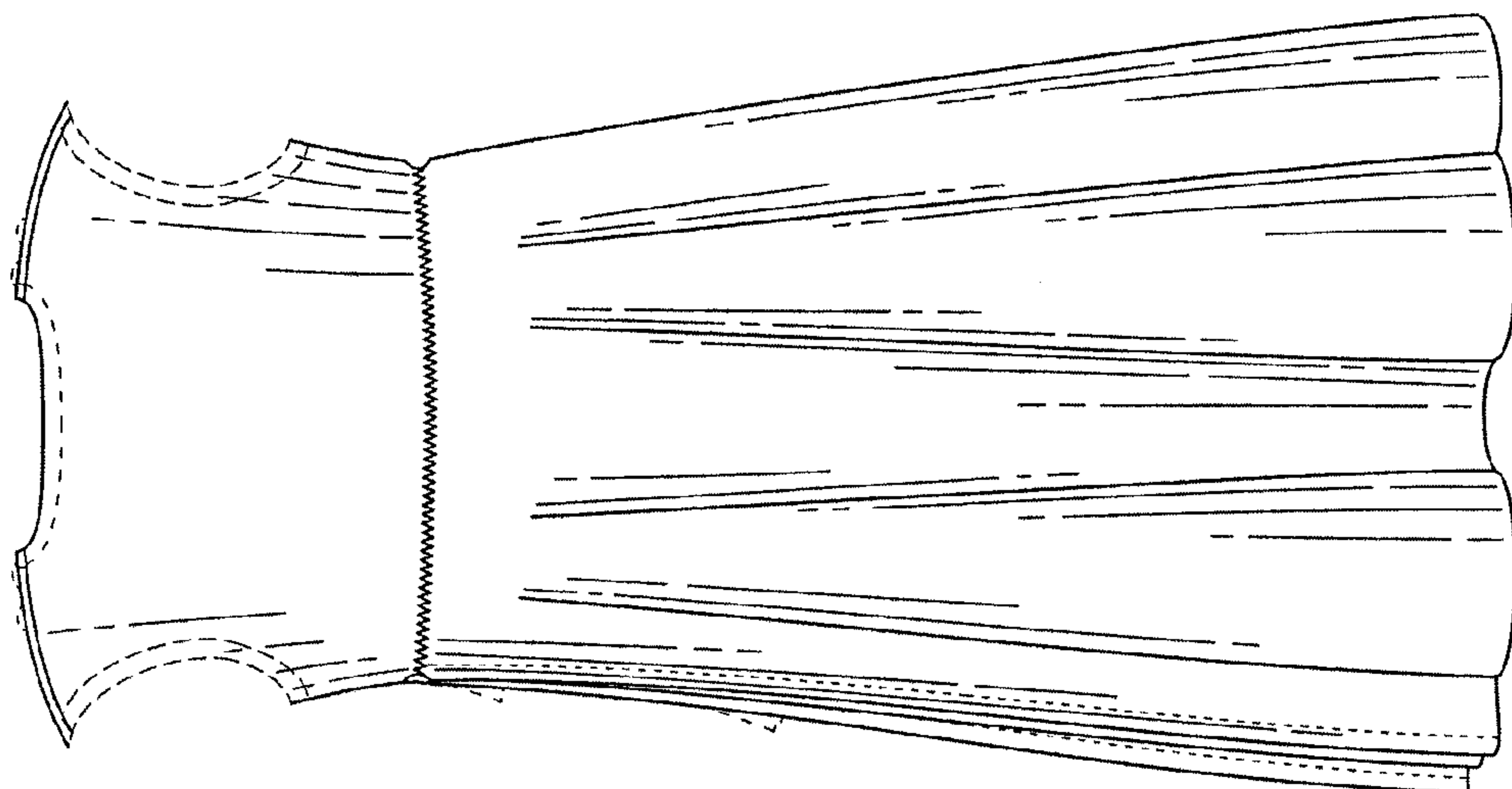


FIG. 7

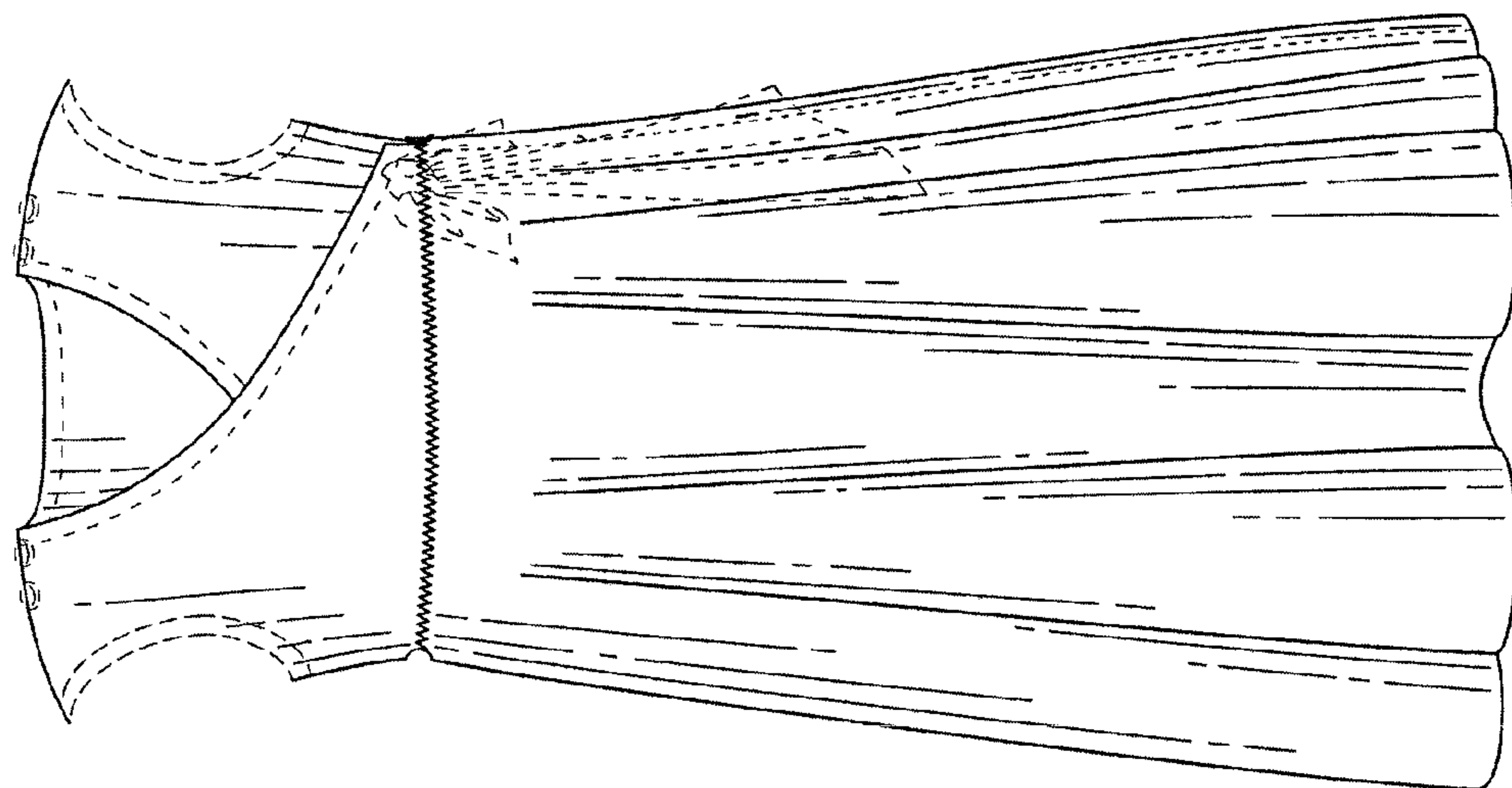


FIG. 6

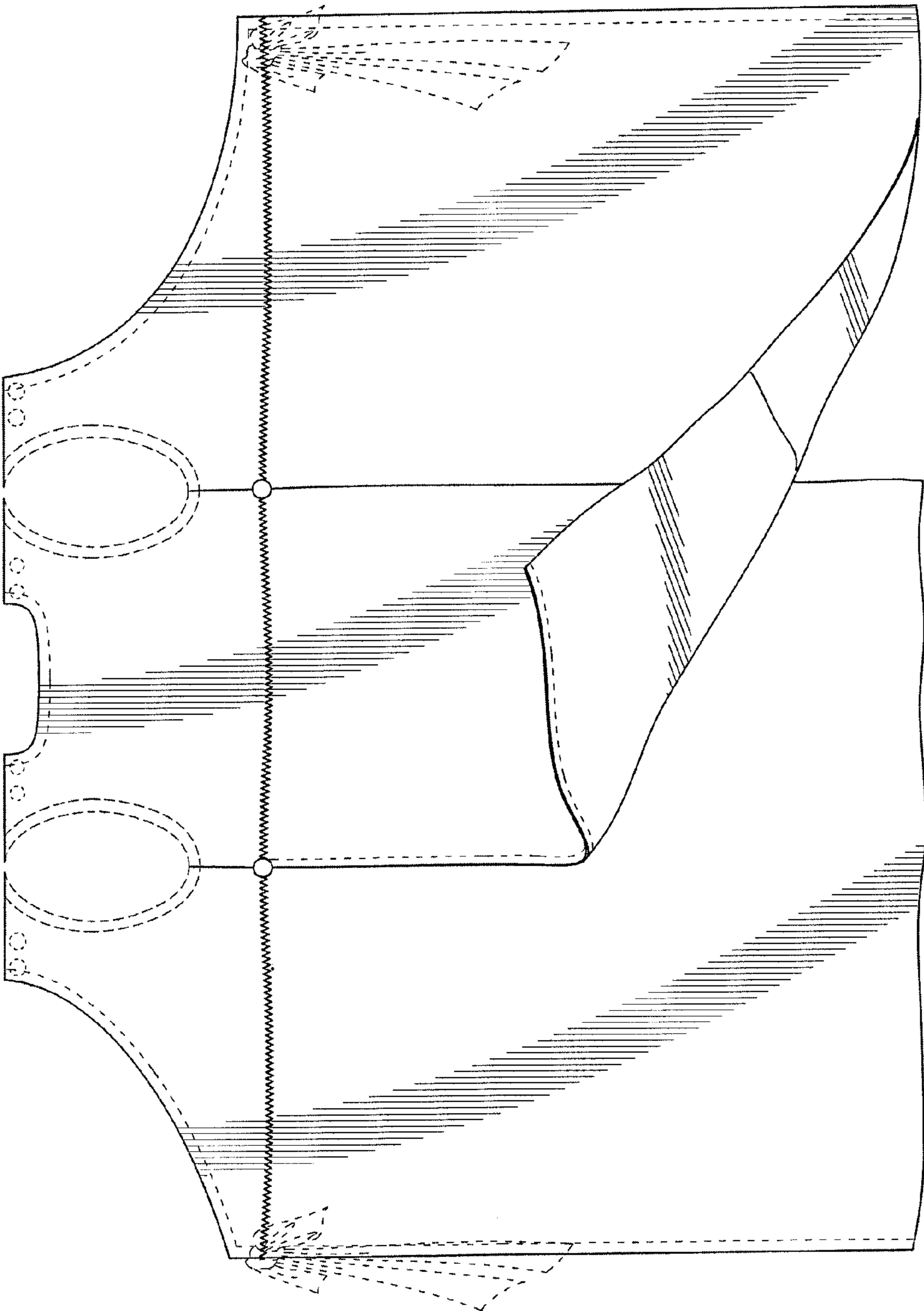


FIG. 9

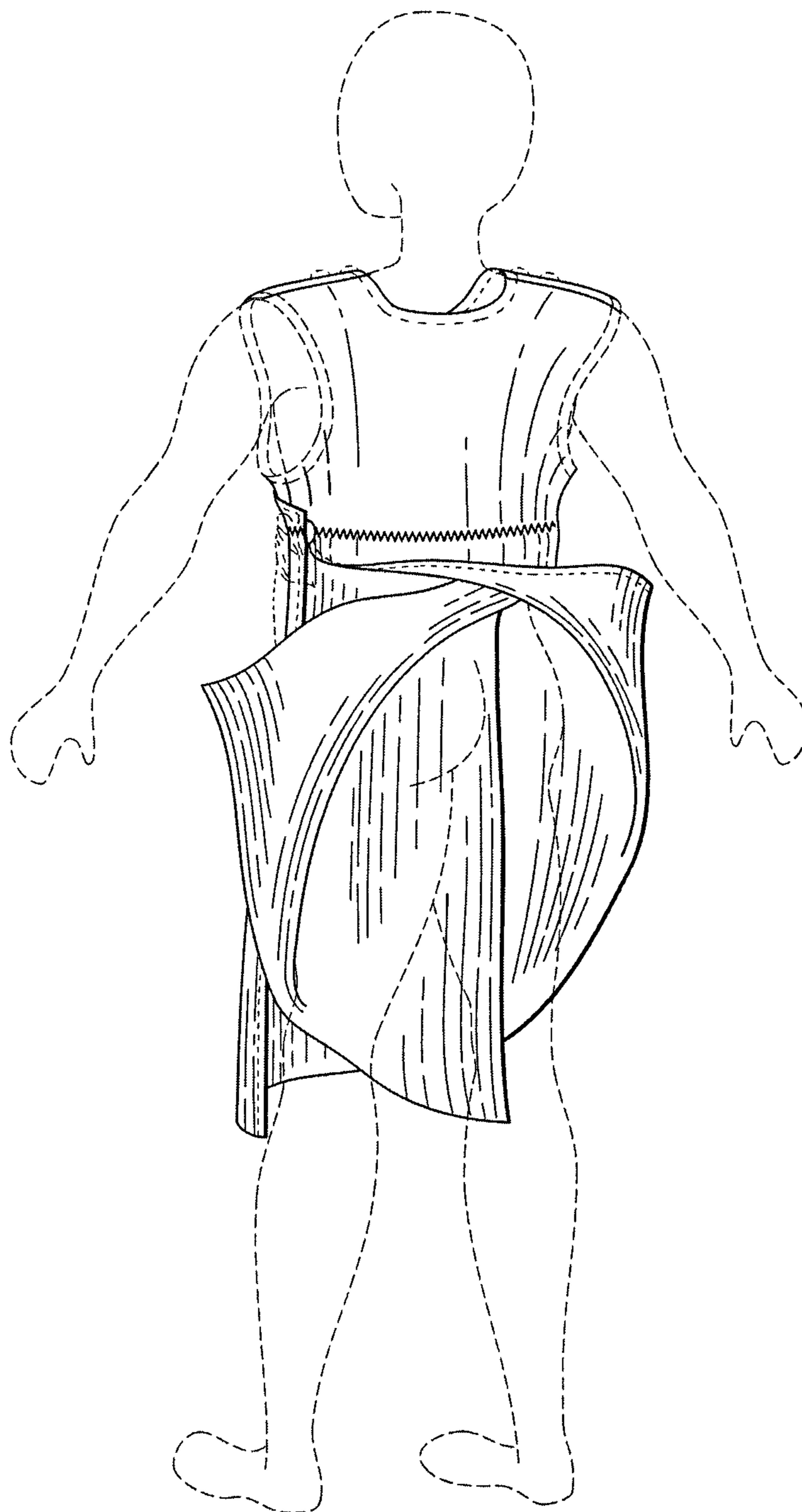


FIG. 10