

US00D738063S

(12) **United States Design Patent**
Angel

(10) **Patent No.:** **US D738,063 S**

(45) **Date of Patent:** **** Sep. 1, 2015**

- (54) **LEVELING BLOCK CAP**
- (71) Applicant: **Bruce A Angel**, Stokesdale, NC (US)
- (72) Inventor: **Bruce A Angel**, Stokesdale, NC (US)
- (73) Assignee: **Camco Manufacturing, Inc.**, Greensboro, NC (US)

D590,124	S	*	4/2009	Hermans	D34/38
D590,572	S	*	4/2009	Hermans	D34/38
D600,875	S	*	9/2009	Hermans	D34/38
D627,535	S	*	11/2010	Hermans	D34/38
8,002,241	B1	*	8/2011	Shaw	254/88
D647,685	S	*	10/2011	Atkins	D34/38
D652,952	S	*	1/2012	Angel	D25/113
D716,879	S	*	11/2014	Norman et al.	D21/486
D719,713	S	*	12/2014	Fellers	D34/38
D728,188	S	*	4/2015	Fellers	D34/38

(**) Term: **14 Years**

(21) Appl. No.: **29/474,209**

(22) Filed: **Jul. 11, 2014**

(51) **LOC (10) Cl.** **09-08**

(52) **U.S. Cl.**
USPC **D34/32; D34/38; D34/33; D34/31; D34/28**

(58) **Field of Classification Search**
USPC D34/31, 32, 38; D21/491; 248/346.07; D25/133, 113; 52/721.5, 723.2; 254/88; 14/71.5; D12/217; 108/51.11, 108/901, 53.3, 54.1, 55.3, 56.1, 57.1
CPC B66F 7/243; B66F 7/28; B66F 13/00; B60T 3/00
See application file for complete search history.

(56) **References Cited**

U.S. PATENT DOCUMENTS

5,458,315	A	*	10/1995	Blatz et al.	254/88
D426,933	S	*	6/2000	Redfern	D34/38
D508,300	S	*	8/2005	O'Dell et al.	D34/38
D531,378	S	*	10/2006	Angel et al.	D34/31
D551,152	S	*	9/2007	Funk et al.	D12/217
D571,486	S	*	6/2008	Miller et al.	D25/133
7,416,166	B1	*	8/2008	Shaw	254/88

OTHER PUBLICATIONS

Ref. No. 1, Tri-Lynx 00019 LynxCap from Amazon website (www.amazon.com), Feb. 8, 2007, 1 Page.

* cited by examiner

Primary Examiner — Cynthia Ramirez

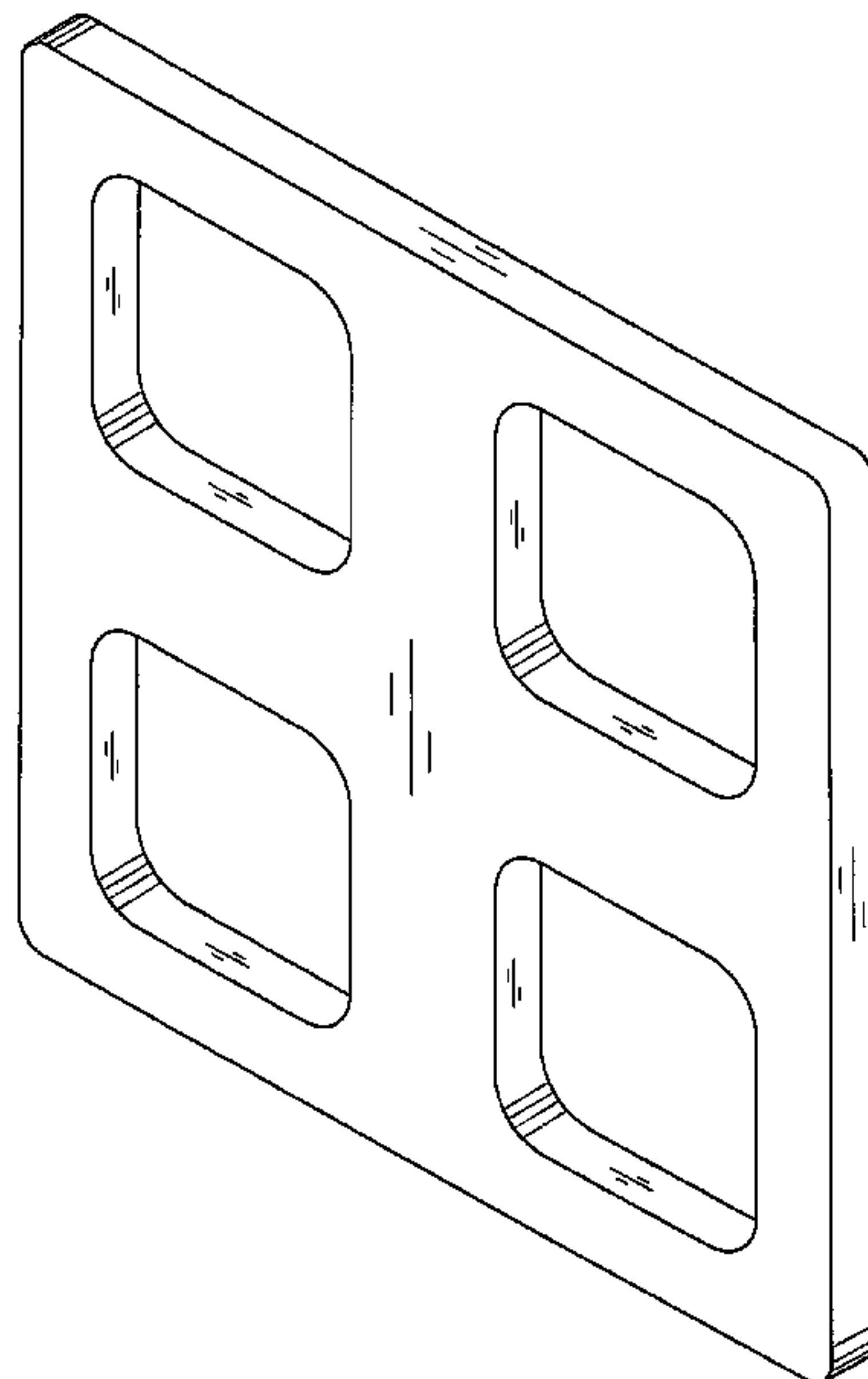
(57) **CLAIM**

The ornamental design for a leveling block cap, as shown and described.

DESCRIPTION

FIG. 1 is a front, top, right side perspective view of a leveling block cap showing our new design; FIG. 2 is a front elevational view thereof; FIG. 3 is a rear elevational view thereof; FIG. 4 is a top plan view thereof, the bottom plan view being a mirror image thereof; FIG. 5 is a right side plan view thereof, the left side plan view being a mirror image thereof; and, FIG. 6 is a back bottom left perspective view according to the invention.

1 Claim, 5 Drawing Sheets



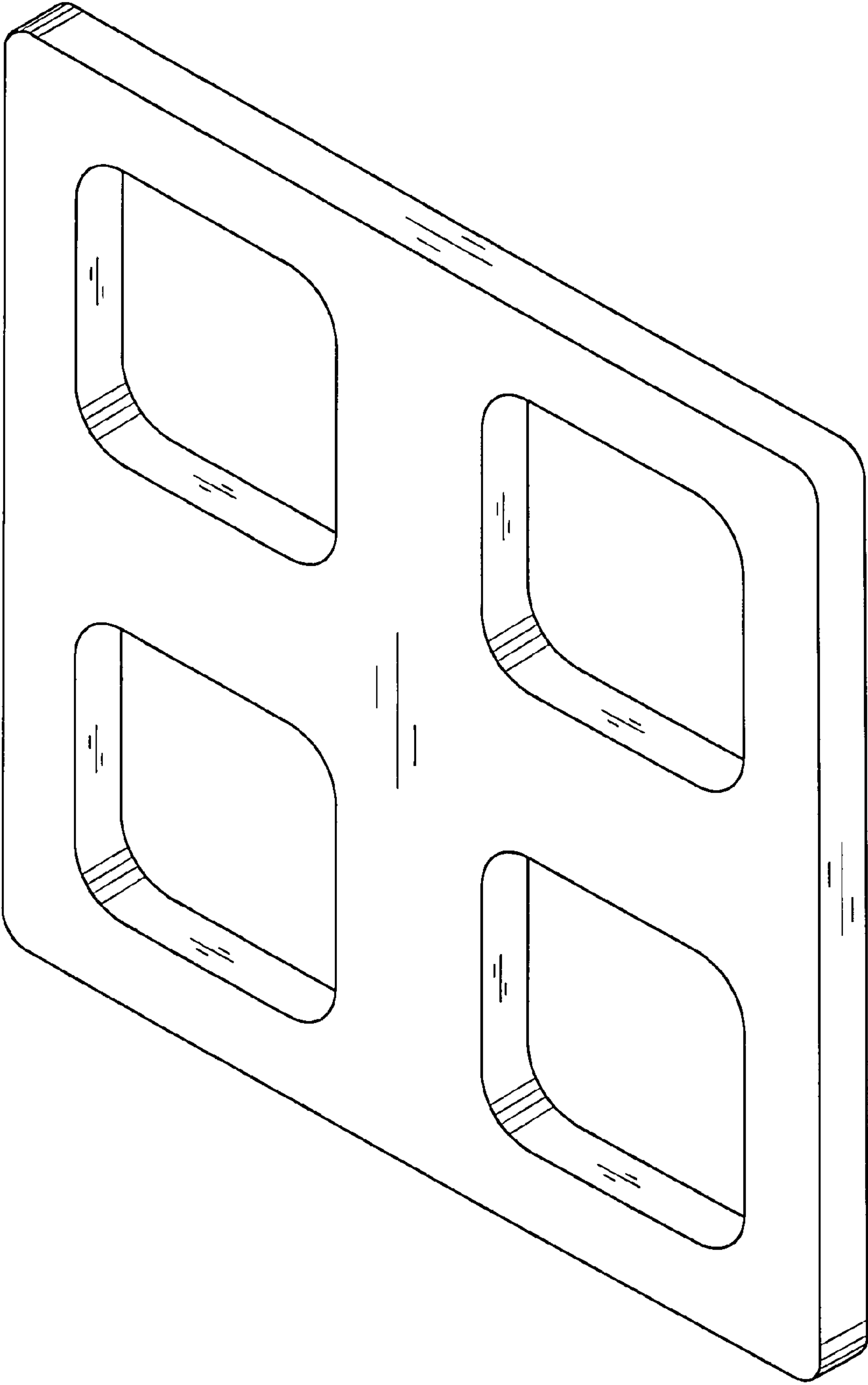


Fig. 1

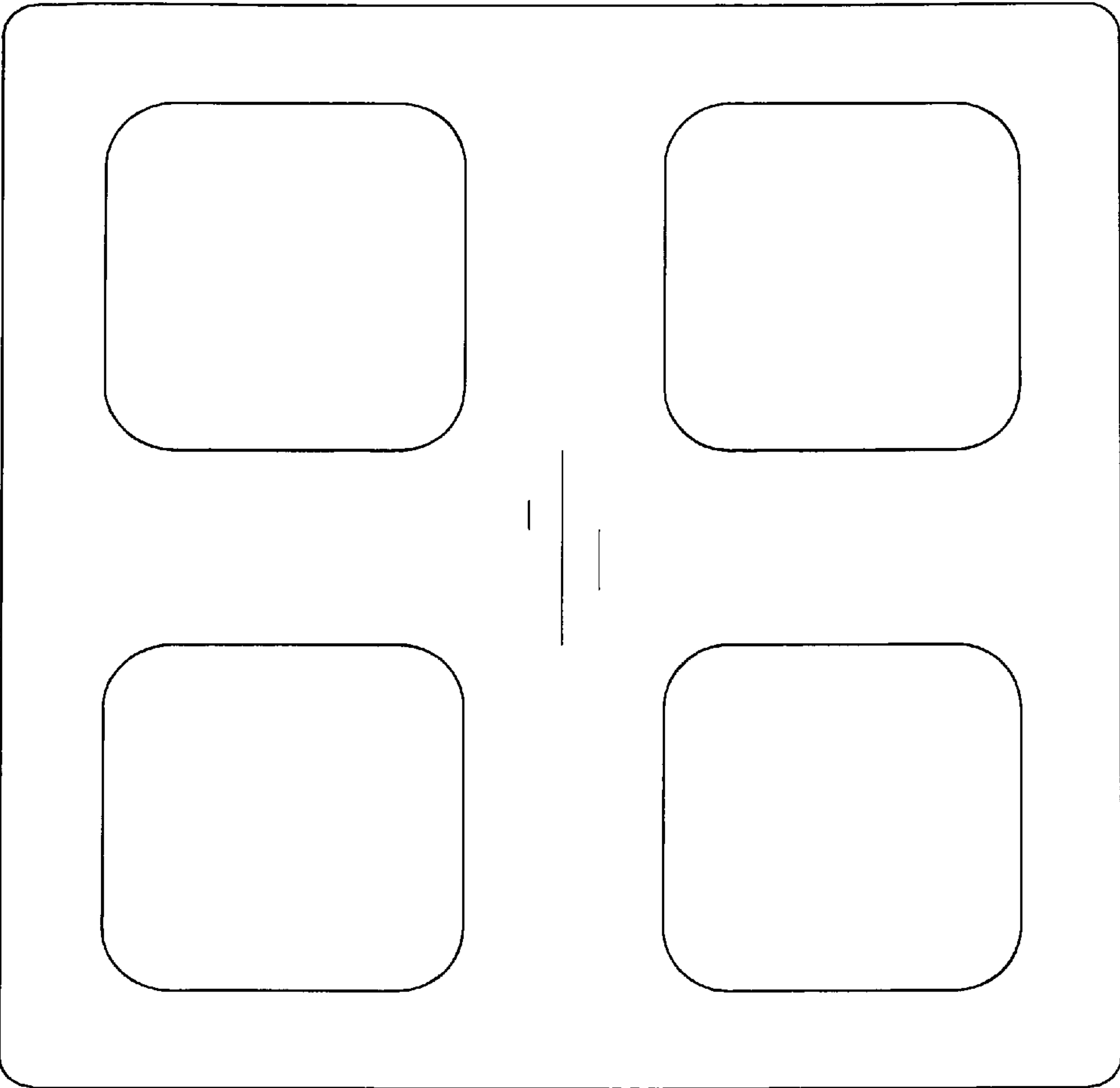


Fig. 2

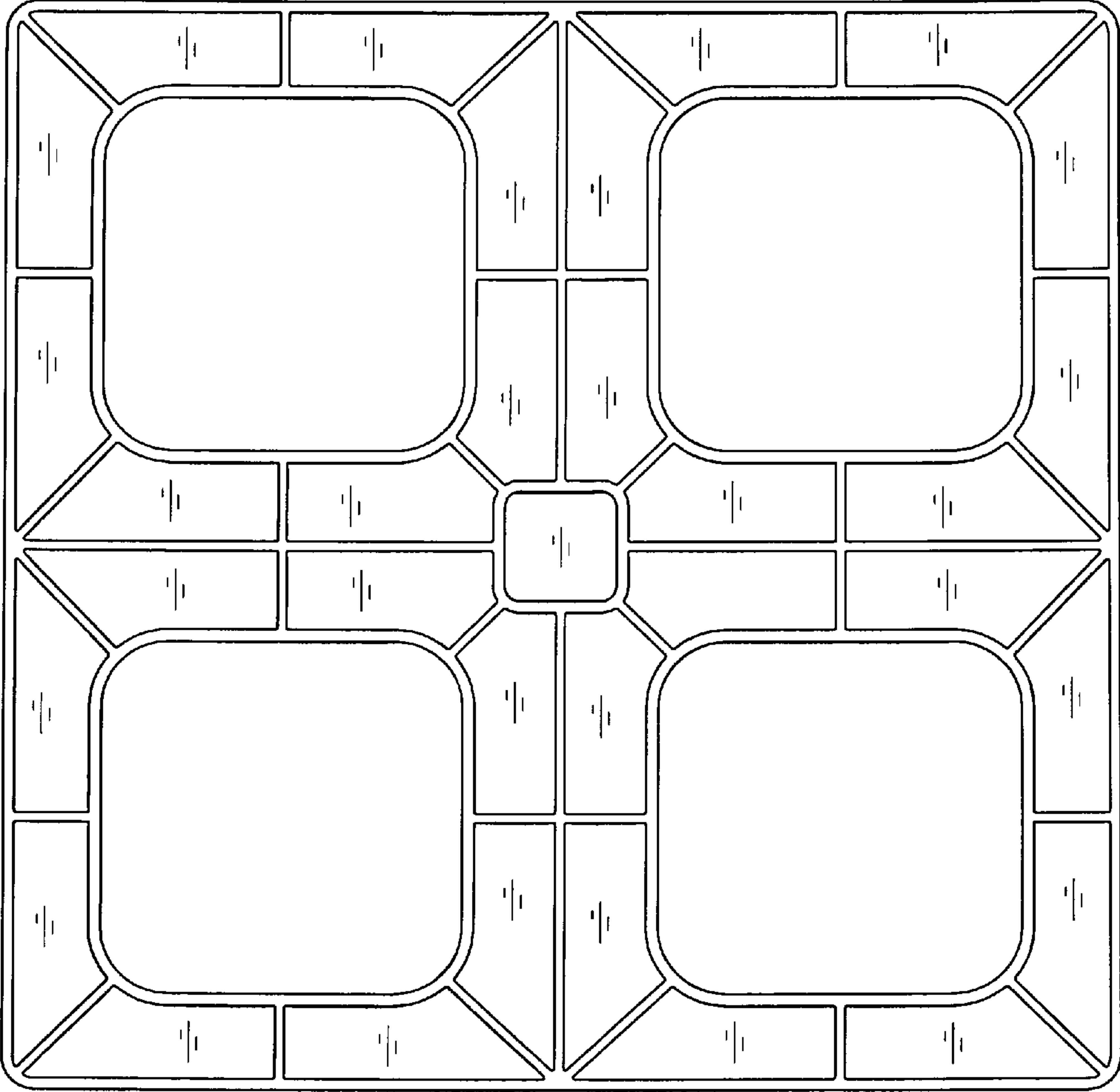


Fig. 3

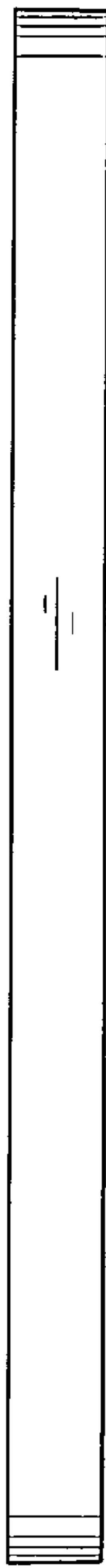


Fig. 4

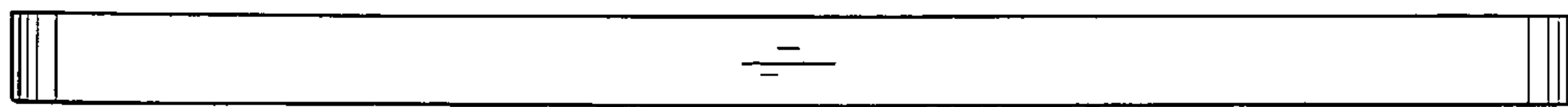


Fig. 5

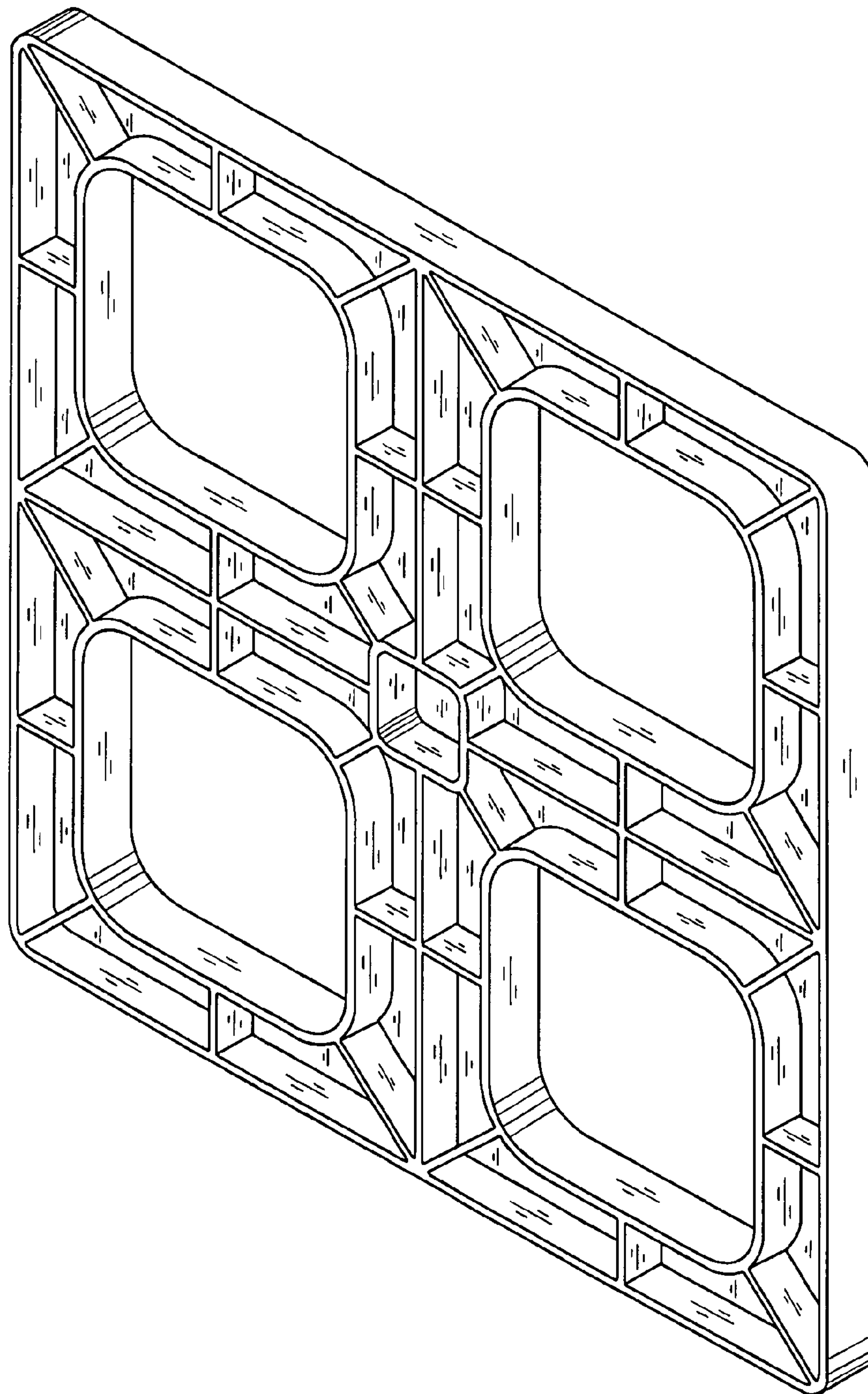


Fig. 6